



Install Underhood Acoustic Absorbers

Classification	Campaign Bulletin	Section/Group	45 - Noise, Vibration & Harshness	Country/Region	All
Year	2014-2015	Model	Model S	Version	Dual Motor

Bulletin Classification: This campaign bulletin addresses a known non-safety-related condition and provides recommended technical diagnosis and repair procedures. Apply this procedure to all vehicles in the affected VIN range listed. These instructions assume knowledge of motor vehicle and high voltage electrical component repairs, and should only be executed by trained professionals. Tesla Motors assumes no liability for injury or property damage due to a failure to properly follow these instructions or repairs attempted by unqualified individuals.

Condition

Some Model S vehicles were delivered with either unsealed acoustic absorbers or no acoustic absorbers.

Correction

Inspect the vehicle for acoustic absorbers; replace unsealed absorbers with sealed absorbers or install sealed absorbers.

Required Part(s):	Part Number	Description	Quantity
	1050484-00-B	ABSORBER AERO SHIELD FRONT, DM	1
	1050480-00-B	ABSORBER FRUNK, DM	1
	1050486-00-B	ABSORBER SHIELD TOP, DM	1
	1050488-00-B	ABSORBER UNDERHOOD RR APRON, MS	1
	1050487-00-B	ABSORBER UNDERHOOD LH SIDE APRON, MS	1
	1050778-00-B	ABSORBER UNDERHOOD RH SIDE APRON, MS	1

Shop supplies:

Adhesive remover
 Alcohol wipes
 Plastic scraper

These part numbers were current at the time of publication. Use the revisions listed or later, unless otherwise specified in the Parts Manual.

Correction Description	Correction	Time
Vehicle Inspection Only; Sealed Underhood Acoustic Absorbers Already Installed	S011545001	0.05
Replace Unsealed Underhood Acoustic Absorbers With Sealed Underhood Acoustic Absorbers	S021545001	1.5
Install Sealed Underhood Acoustic Absorbers	S031545001	0.6

Procedure

1. Remove the LH underhood apron (refer to Service Manual procedure 12251202).
2. Inspect the apron for an acoustic absorber (Figure 1).

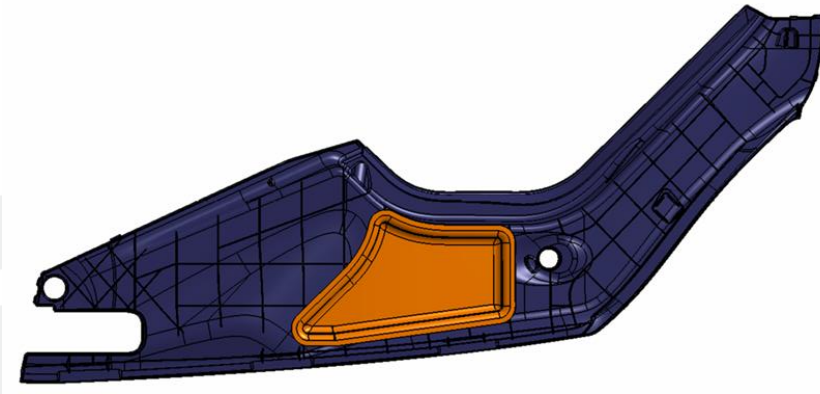


Figure 1 (acoustic absorber highlighted)

- If there is an acoustic absorber on the apron and the edges are sealed (Figure 2), reinstall the LH underhood apron and discontinue this procedure; no additional work is required.
- If there is no acoustic absorber on the apron or if the edges are unsealed (Figure 3), continue this procedure.



Figure 2



Figure 3

3. If there is an unsealed acoustic absorber, remove it and clean the apron with adhesive remover, a plastic scraper, and alcohol wipes. If there is not an absorber, clean the apron with alcohol wipes. Allow the alcohol to dry before continuing to the next step.

4. Remove the backing from the new LH side apron acoustic absorber and press it onto the apron. Use the guidelines in Figure 4 to accurately align the absorber.

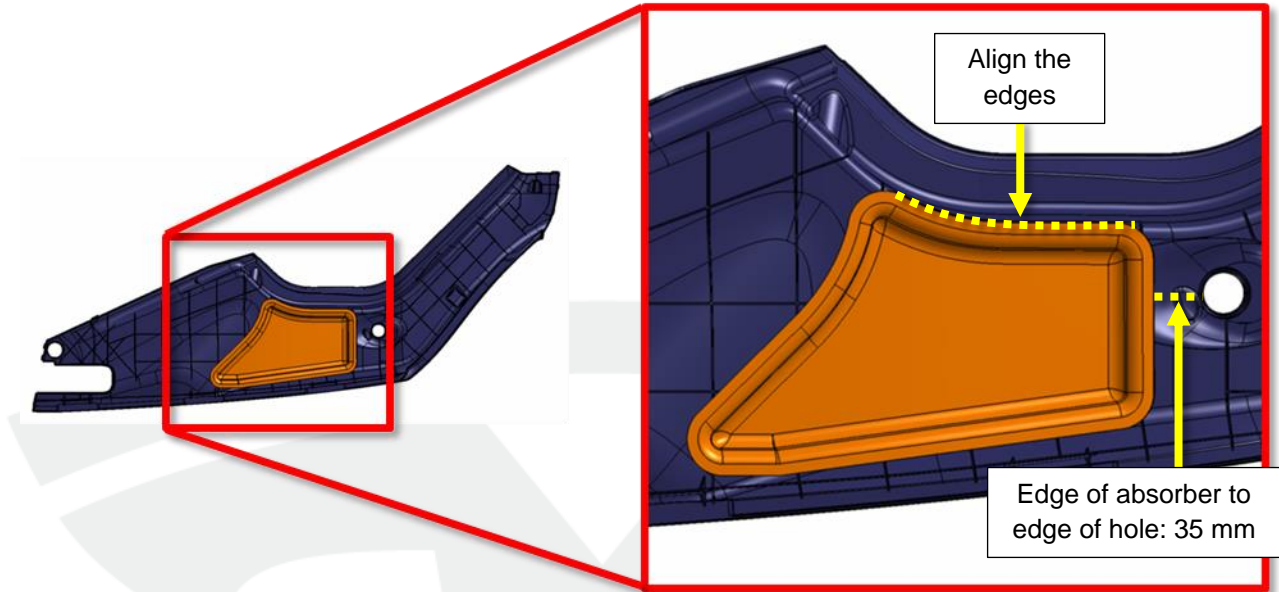


Figure 4 (acoustic absorber highlighted)

5. Remove the RH underhood apron.
6. If there is an unsealed acoustic absorber, remove it and clean the apron with adhesive remover, a plastic scraper, and alcohol wipes. If there is not an absorber, clean the apron with alcohol wipes. Allow the alcohol to dry before continuing to the next step.
7. Remove the backing from the new RH side apron acoustic absorber and press it onto the apron. Use the guidelines in Figure 5 to accurately align the absorber.

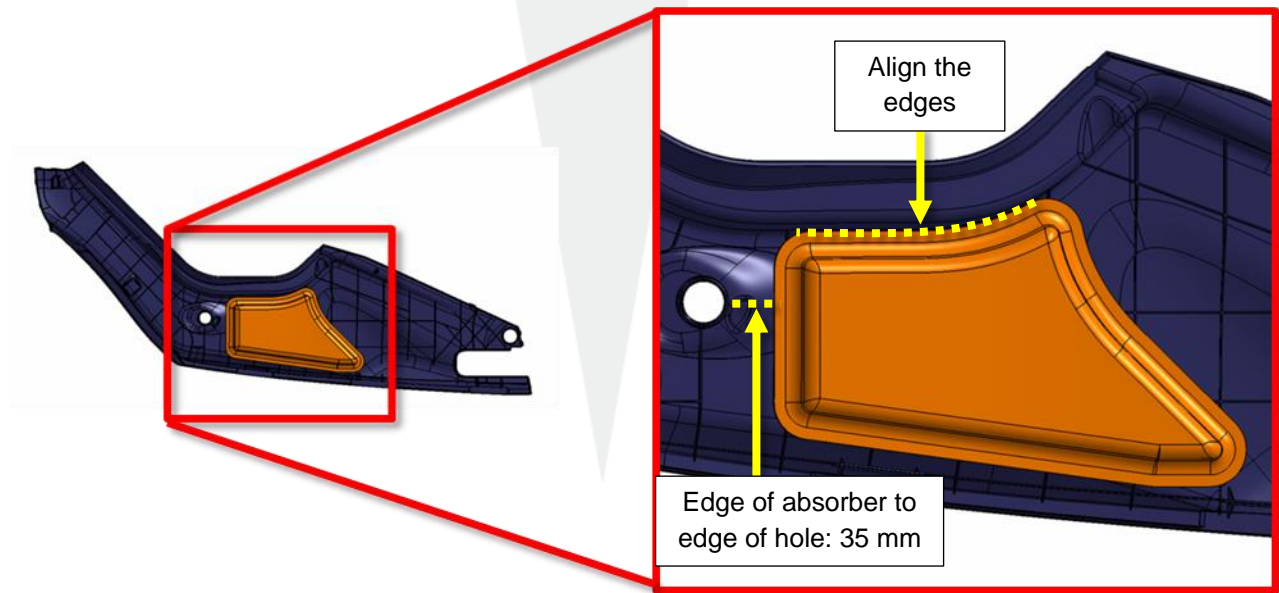


Figure 5 (acoustic absorber highlighted)

8. Remove the center underhood apron (refer to Service Manual procedure 12251102).

9. If there is an unsealed acoustic absorber, remove it and clean the apron with adhesive remover, a plastic scraper, and alcohol wipes. If there is not an absorber, clean the apron with alcohol wipes. Allow the alcohol to dry before continuing to the next step.
10. Remove the backing from the new rear apron acoustic absorber and press it onto the apron. Use the guidelines in Figure 6 to accurately align the absorber.

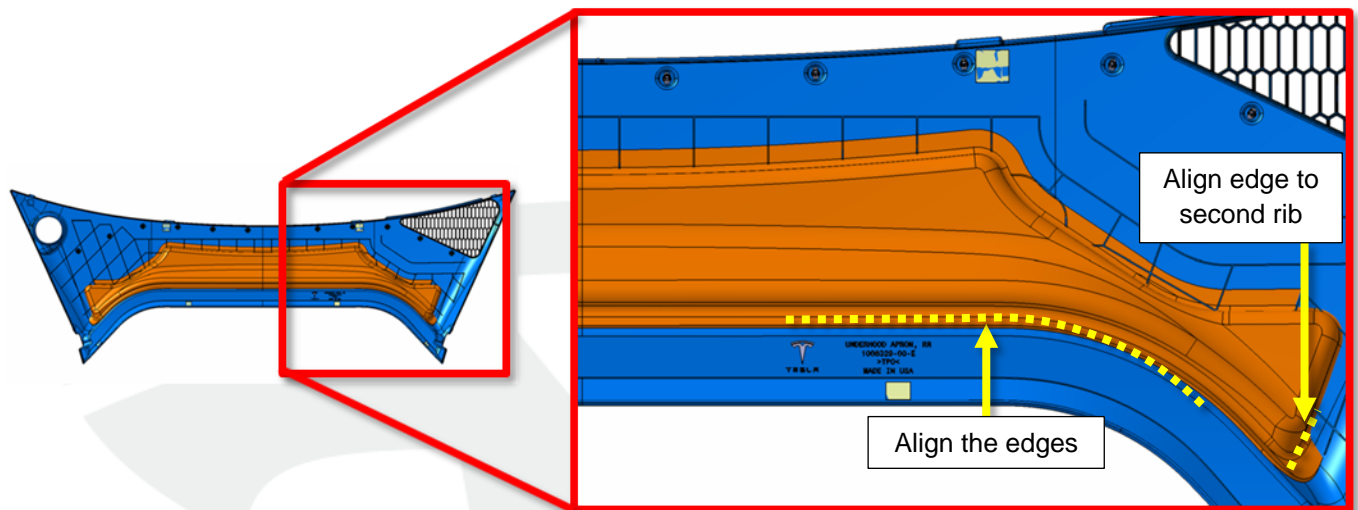


Figure 6 (acoustic absorber highlighted)

11. Remove the underhood storage unit (refer to Service Manual procedure 15242002).
12. If there is an unsealed acoustic absorber, remove it and clean the storage unit with adhesive remover, a plastic scraper, and alcohol wipes. If there is not an absorber, clean the storage unit with alcohol wipes. Allow the alcohol to dry before continuing to the next step.
13. Remove the backing from the new frunk acoustic absorber and press it onto the storage unit. Use the guidelines in Figure 7 to accurately align the absorber.

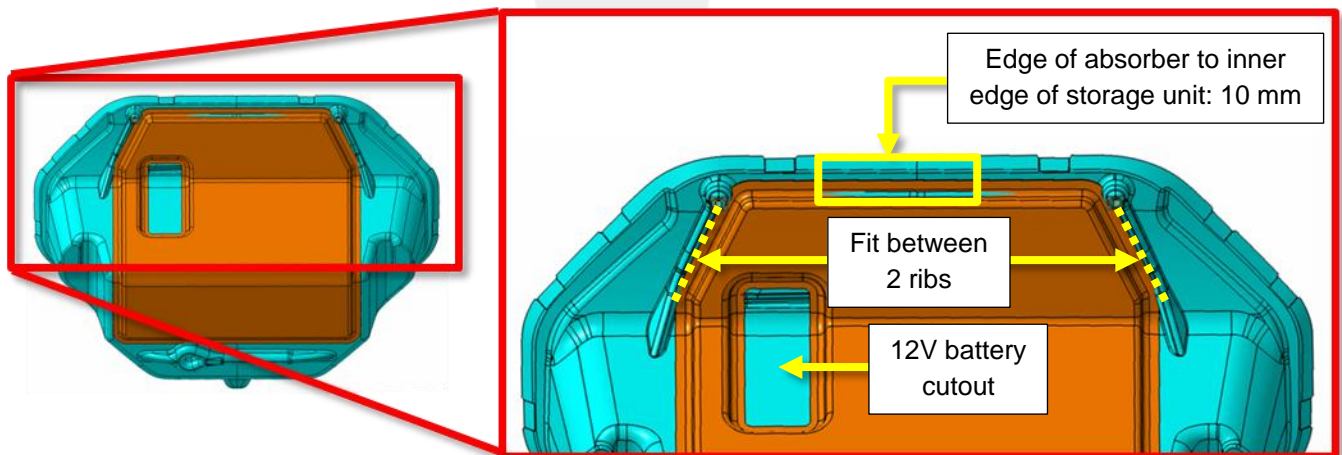


Figure 7 (acoustic absorber highlighted)

14. Remove the front aero shield (refer to Service Manual procedure 12030102).
15. If there is an unsealed acoustic absorber, remove it and clean the aero shield with adhesive remover, a plastic scraper, and alcohol wipes. If there is not an absorber, clean the aero shield with alcohol wipes. Allow the alcohol to dry before continuing to the next step.

16. Remove the backing from the new aero shield acoustic absorber and press it onto the aero shield. Use the guidelines in Figure 8 to accurately align the absorber.

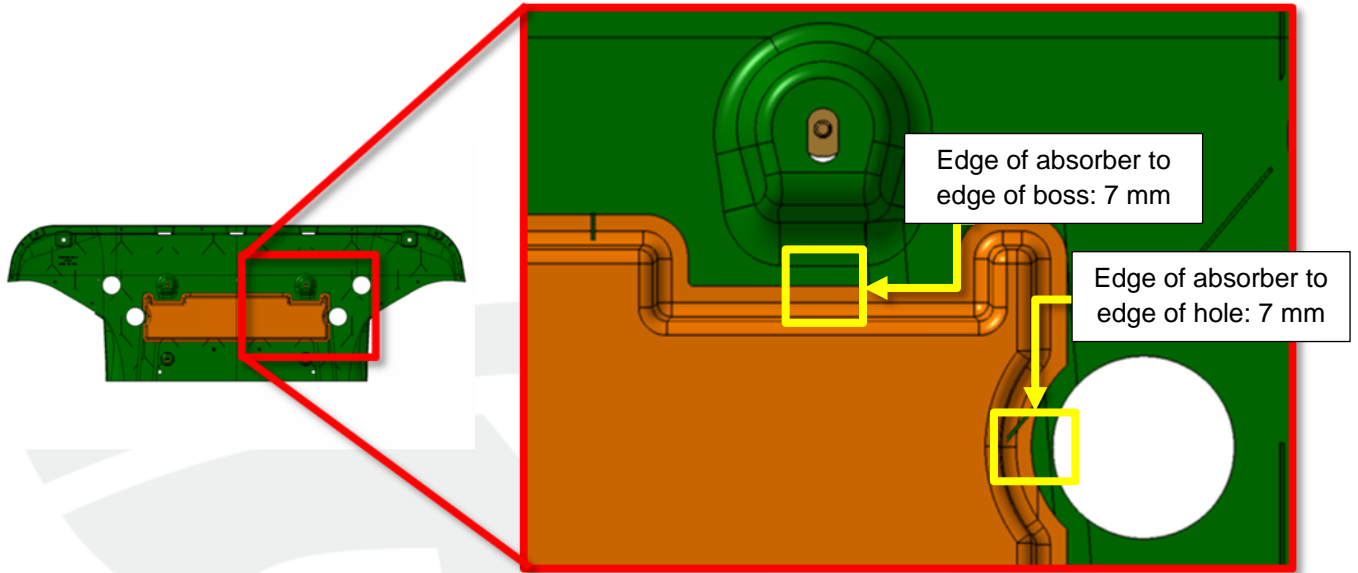


Figure 8 (acoustic absorber highlighted)

17. Remove the front skid plate (refer to Service Manual procedure 30011002).
18. If there is an unsealed acoustic absorber, remove it and clean the skid plate with adhesive remover, a plastic scraper, and alcohol wipes. If there is not an absorber, clean the skid plate with alcohol wipes. Allow the alcohol to dry before continuing to the next step.
19. Remove the backing from the new shield top acoustic absorber and press it onto the skid plate. Use the guidelines in Figure 9 to accurately align the absorber.

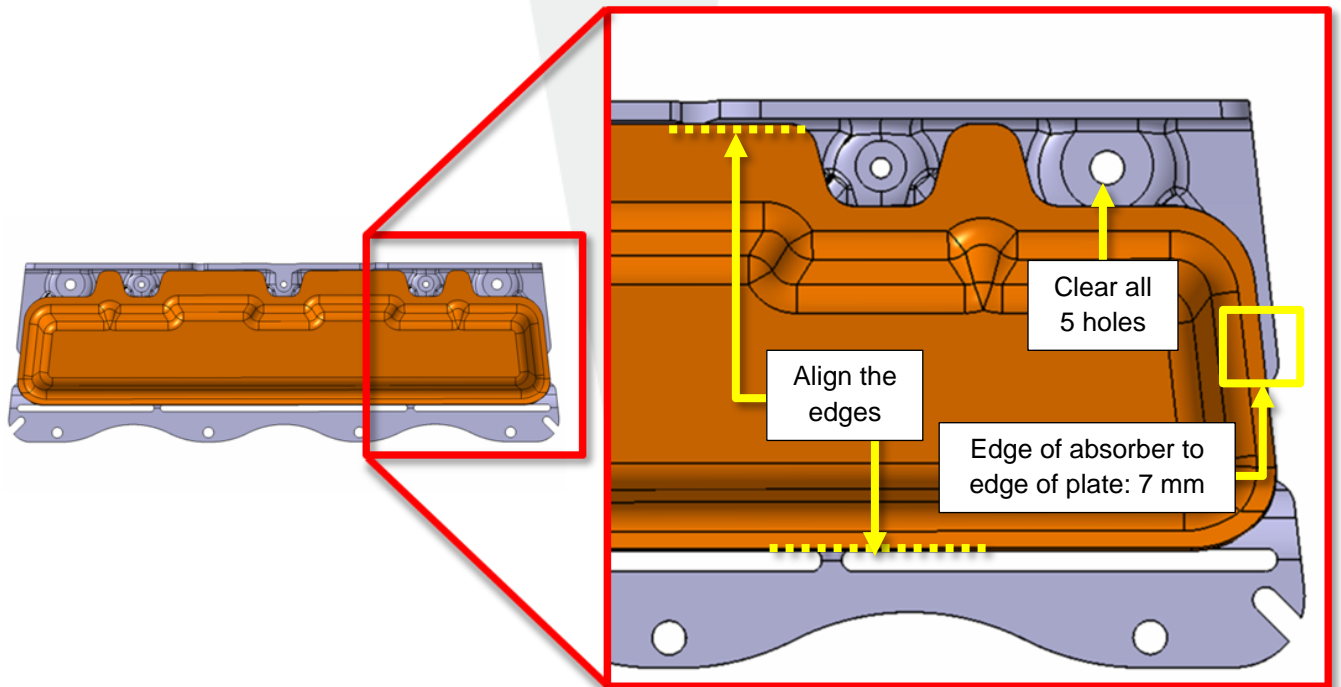


Figure 9 (acoustic absorber highlighted)

20. Reinstall all components that were removed for access.

Affected VIN(s) Affected Dual Motor Model S vehicles built between approximately September 19, 2014 and February 20, 2015.

NOTE: This is a simplified summary of the affected VIN list. Refer to the VIN/Bulletin Tracker or Customer/Vehicle profile to determine applicability of this bulletin for a particular vehicle.

For feedback on the accuracy of this document, email ServiceBulletinFeedback@teslamotors.com.

