


TN-17-11-001 R4 June 12, 2020		Tesla, Inc. Tech Notes
<b>Model:</b>	<b>Vehicle System:</b>	<b>Region:</b>
Model S	11 - Closures	All

## Replacing Model S Exterior Door Handles

Tech Notes are announcements that help to communicate and track new information about Tesla Service concerns. Such concerns may or may not be VIN specific. These instructions assume knowledge of motor vehicle and high voltage electrical component repairs, and should only be executed by trained professionals. Tesla assumes no liability for injury or property damage due to a failure to properly follow these instructions or for repairs attempted by unqualified individuals.

This Tech Note supersedes TN-17-11-001 R3, dated 22-Nov-19. Each content change is marked by a vertical line in the left margin. Discard the previous version and replace it with this one.

In the event of a door handle failure, damage to the door handle assembly, or door shell replacement, it might be necessary to replace the door handle assembly or to retrofit a newer generation door handle assembly. The parts needed to replace an exterior door handle on Model S depend on the door handle assembly currently installed in the vehicle.

Vehicle Built	Original Door Handle Assembly
Through October 26, 2016	Generation 2.0: <ul style="list-style-type: none"> <li>• Front (Figure 5)</li> <li>• Rear (Figure 9)</li> </ul>
October 26, 2016 to July 24, 2017	Generation 2.5: <ul style="list-style-type: none"> <li>• Front (Figure 7)</li> <li>• Rear (Figure 11)</li> </ul>
After July 24, 2017	Generation 3: <ul style="list-style-type: none"> <li>• Front (Figure 4)</li> <li>• Rear (Figure 12)</li> </ul>

Door Handle Assembly Replacement		
Handle Assembly Currently In Vehicle	Replacement Handle Assembly	Handle Assembly Replacement Instructions
Generation 2.0 (Figure 5 and Figure 9)	Generation 2.1 (Figure 6 and Figure 10)	Order a generation 2.1 door handle assembly and associated parts. Refer to the "Parts Required to Replace a Generation 2.0 Door Handle Assembly" section of this document for more information.  Replace the door handle assembly: <ul style="list-style-type: none"> <li>• Front doors: Refer to Service Manual procedure 11451016.</li> <li>• Rear doors: Refer to Service Manual procedure 11452016.</li> </ul>

Door Handle Assembly Replacement		
Handle Assembly Currently In Vehicle	Replacement Handle Assembly	Handle Assembly Replacement Instructions
Generation 2.1 (Figure 6 and Figure 10)	Generation 2.1 (Figure 6 and Figure 10)	Order only a generation 2.1 door handle assembly (no other parts should be required). Replace the door handle assembly according to the installation instructions in: <ul style="list-style-type: none"> <li>• Front doors: Refer to Service Manual procedure 11451012.</li> <li>• Rear doors: Refer to Service Manual procedure 11452012.</li> </ul>
Generation 2.5 (Figure 7 and Figure 11)	Generation 3 (Figure 8 and Figure 12)	Order a generation 3 door handle assembly and associated parts. Refer to the "Parts Required to Replace a Generation 2.5 Door Handle Assembly" section of this document for more information. Replace the door handle assembly: <ul style="list-style-type: none"> <li>• Front doors: Refer to Service Manual procedure 11451006.</li> <li>• Rear doors: Refer to Service Manual procedure 11452006.</li> </ul>
Generation 3 (Figure 8 and Figure 12)	Generation 3 (Figure 8 and Figure 12)	Order only a generation 3 door handle assembly (no other parts should be required). Replace the door handle assembly: <ul style="list-style-type: none"> <li>• Front doors: Refer to Service Manual procedure 11451012.</li> <li>• Rear doors: Refer to Service Manual procedure 11452012.</li> </ul>

**Note:** The parts to order to replace an exterior door handle on Model S depend on the door handle assembly currently installed in the vehicle.

### When Replacing the Entire Door

Doors originally built through October 26, 2016 are different from doors built after October 26, 2016 in the inner door structure and in the door handle mounting points (circled in red in the figures below).

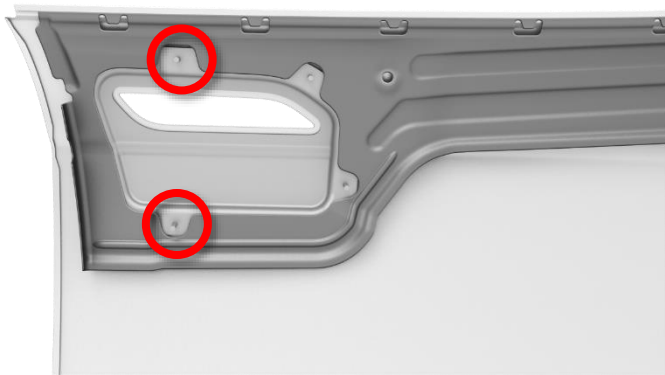


Figure 1 (LH front door for vehicles built through October 26, 2016, trim removed)

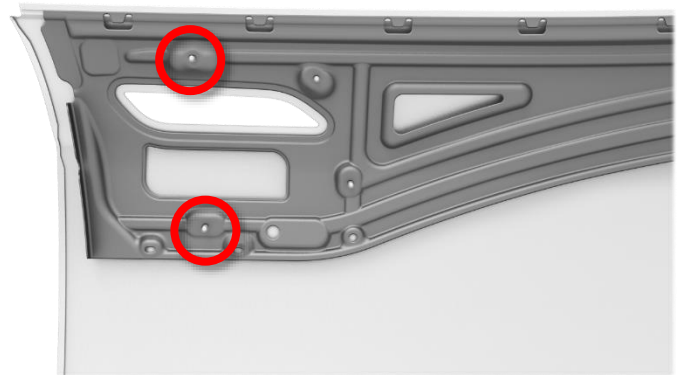
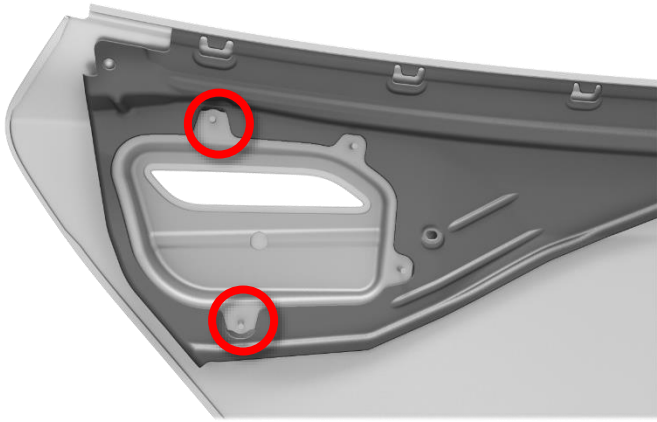
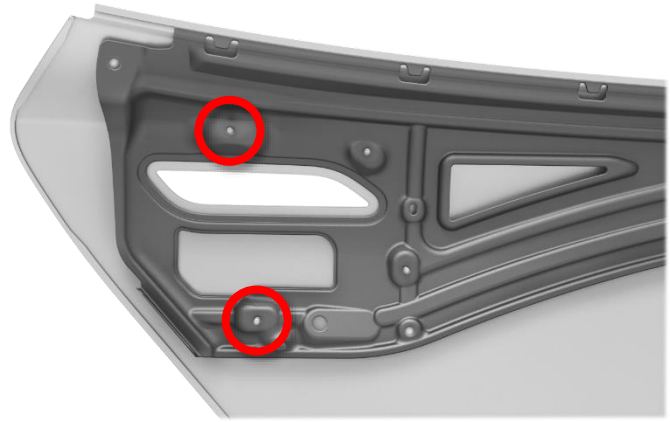


Figure 2 (LH front door for vehicles built after October 26, 2016, trim removed)



**Figure 3 (LH rear door for vehicles built through October 26, 2016, trim removed)**



**Figure 4 (LH rear door for vehicles built after October 26, 2016, trim removed)**

**Note:** Doors that originally came on vehicles built through October 26, 2016 are no longer being produced and cannot be ordered.

When replacing a door, determine if the door handle must be replaced using the following table:

Door Being Replaced	Door Handle Assembly Functional	Action
Built through October 26, 2016	Yes	Install a Generation 3.0 handle. See “Parts Required to Replace a Generation 2.5 Door Handle Assembly” for part ordering information.
	No	
Built after October 26, 2016	Yes	Reuse the existing handle.
	No	Install a Generation 3.0 handle. See “Parts Required to Replace a Generation 2.5 Door Handle Assembly” for part ordering information.

## Identifying the Current Door Handle Assembly Generation

To identify the front door handle assembly currently in the vehicle:

- Remove the door trim panel:
  - Front doors: Refer to Service Manual procedure 15130201.
  - Rear doors: Refer to Service Manual procedure 15132001.
- Look at the back (inboard) side of the door handle assembly.

3. Use the images below to identify the door handle assembly.

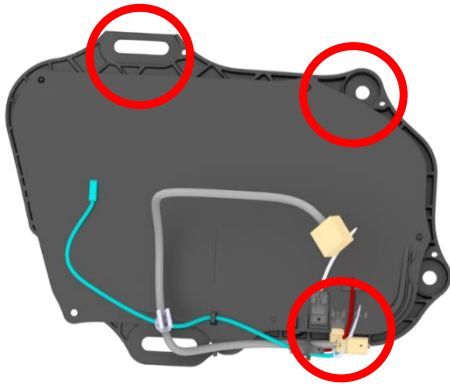


Figure 5 (Generation 2.0 Front Door Handle Assembly)

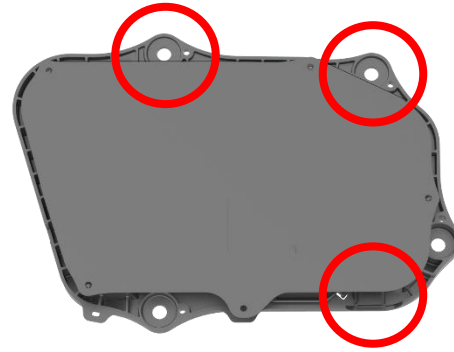


Figure 6 (Generation 2.1 Front Door Handle Assembly)

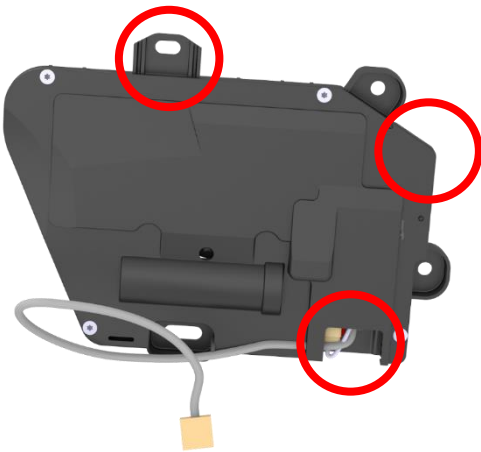


Figure 7 (Generation 2.5 Front Door Handle Assembly)

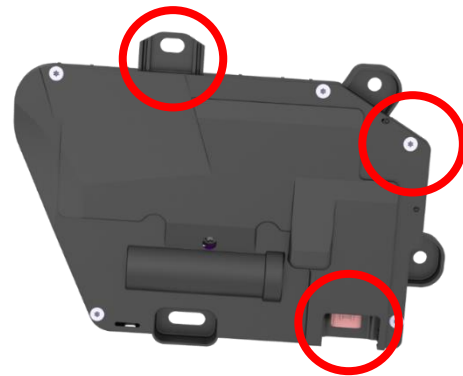


Figure 8 (Generation 3.0 Front Door Handle Assembly)

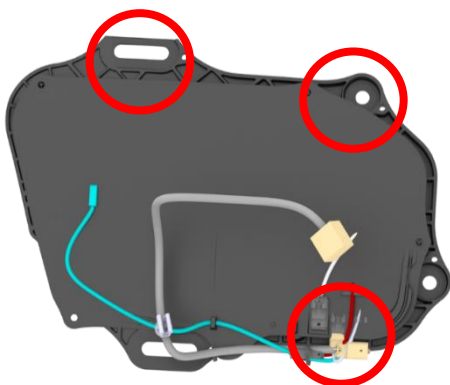


Figure 9 (Generation 2.0 Rear Door Handle Assembly)

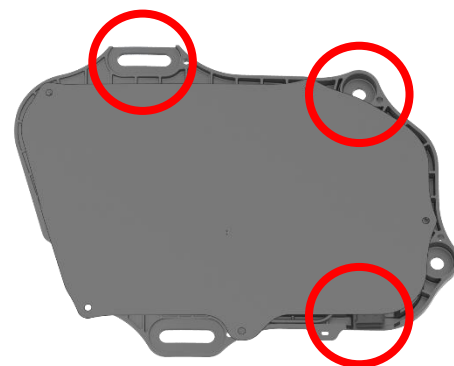
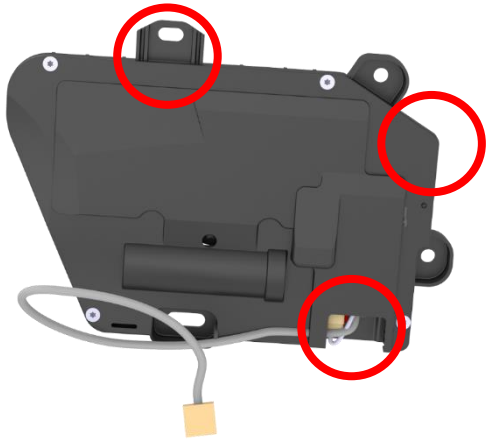
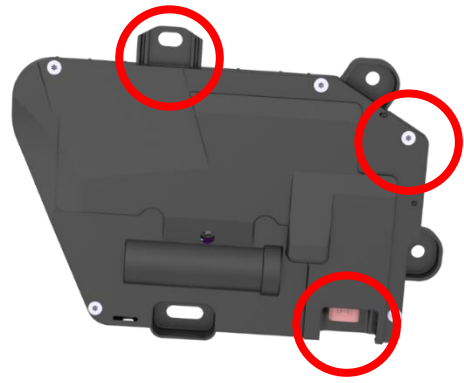


Figure 10 (Generation 2.1 Rear Door Handle Assembly)




**Figure 11 (Generation 2.5 Rear Door Handle Assembly)**



**Figure 12 (Generation 3.0 Rear Door Handle Assembly)**

## Parts Required to Replace a Generation 2.0 Door Handle Assembly


To retrofit a generation 2.1 door handle assembly into a door that has a generation 2.0 door handle assembly, parts other than the door handle assembly are required.

 **NOTE:** When replacing a single generation 2.0 door handle assembly in the vehicle, it is not necessary to replace any other door handle assemblies. Each door in Model S can use a different generation of door handle.

### Front LH Door Parts Required

For instructions on how to perform the retrofit procedure, refer to Service Manual procedure 11451016.


Part Number	Quantity	Description	Notes
1135718-S0-A	1	ASY- FR LH, GEN3 DH, NOGRIP, 2.1 SVC RPL	
1008999-00-E	1	BACK SEAL, DOOR HANDLE OUTER, LH	
1009289-00-B	1	SCR PF 50x12 DELTA PT STL ZNNI	
1037847-00-D	1	ASY PLATE, FR DOOR, LH	
1067906-00-A	4	PUSH-NUT 5/32"x17/64"x1/32"	
1069106-00-B	1	JUMPER,DH3.0,FRONT	
1069651-00-D	1	ASSEMBLY, DOOR HANDLE 3.0 CTRLR	
1109173-00-A	1	LED ASY, DOOR HANDLE 3.0 OUTER LH	If previous door handle equipped with LED
1118491-00-A	1	SEALED CONNECTOR PLUG, LED	If not equipped with LED (base handle). If the plug is not available, tape can be used to seal the connector cavity instead.
1052476-00-A	2	SPACER, GRIP, EXT DIE CAST DOOR HANDLE	Used only when reusing a metal grip from the original handle.
1052477-00-A	1	SPACER, GRIP, EXT DIE CAST DOOR HANDLE	Used only when reusing a metal grip from the original handle.

 **NOTE:** These part numbers were current at the time of publication. Use the revisions listed or later, unless otherwise specified in the Parts Manual.

## Front RH Door Parts Required

For instructions on how to perform the retrofit procedure, refer to Service Manual procedure 11451016.


Part Number	Quantity	Description	Notes
1135725-S0-A	1	ASY- FR RH, GEN3 DH, NOGRIP, 2.1 SVC RPL	
1009289-00-B	1	SCREW PF 50x12 DELTA PT	
1021114-00-E	1	BACK SEAL, DOOR HANDLE OUTER, RH	
1037846-00-D	1	PLATE - FRONT DOOR LOWER, RIGHT - PLASTIC	
1067906-00-A	4	PUSH-NUT 5/32x17/64x1/32"	
1069106-00-B	1	JUMPER,DH3.0,FRONT	
1069651-00-D	1	ASSEMBLY, DOOR HANDLE 3.0 CTRLR	
1109174-00-A	1	LED ASY, DOOR HANDLE 3.0 OUTER RH	If previous door handle equipped with LED
1118491-00-A	1	SEALED CONNECTOR PLUG, LED	If not equipped with LED (base handle). If the plug is not available, tape can be used to seal the connector cavity instead.
1052476-00-A	2	SPACER, GRIP, EXT DIE CAST DOOR HANDLE	Used only when reusing a metal grip from the original handle.
1052477-00-A	1	SPACER, GRIP, EXT DIE CAST DOOR HANDLE	Used only when reusing a metal grip from the original handle.

 **NOTE:** These part numbers were current at the time of publication. Use the revisions listed or later, unless otherwise specified in the Parts Manual.

## Rear LH Door Parts Required

For instructions on how to perform the retrofit procedure, refer to Service Manual procedure 11452016.

Part Number	Quantity	Description	Notes
1135722-S0-A	1	ASY- RR LH, GEN3 DH, NOGRIP, 2.1 SVC RPL	
1008999-00-E	1	BACK SEAL, DOOR HANDLE OUTER, LH	
1009289-00-B	1	SCR PF 50x12 DELTA PT STL ZNNI	
1015888-00-C	5	BLT,BTN,TRX,M5x16[10.9]-BK-X-SP-05	
1037045-00-A	5	Rivet Nut, M5x0.8, GRIP 0.5-3.3	
1064363-00-A	1	PLATE, RR DOOR, LH	
1067906-00-A	3	PUSH-NUT 5/32"x17/64"x1/32"	
1069106-01-B	1	JUMPER,DH3.0 JUMPER,REAR	
1069651-00-D	1	ASSEMBLY, DOOR HANDLE 3.0 CTRLR	
1109173-00-A	1	LED ASY, DOOR HANDLE 3.0 OUTER LH	If previous door handle equipped with LED
1118491-00-A	1	SEALED CONNECTOR PLUG, LED	If not equipped with LED (base handle). If the plug is not available, tape can be used to seal the connector cavity instead.
1052476-00-A	2	SPACER, GRIP, EXT DIE CAST DOOR HANDLE	Used only when reusing a metal grip from the original handle.
1052477-00-A	1	SPACER, GRIP, EXT DIE CAST DOOR HANDLE	Used only when reusing a metal grip from the original handle.


 **NOTE:** These part numbers were current at the time of publication. Use the revisions listed or later, unless otherwise specified in the Parts Manual.



## Rear RH Door Parts Required

For instructions on how to perform the retrofit procedure, refer to Service Manual procedure 11452016.


Part Number	Quantity	Description	Notes
1135723-S0-A	1	ASY- RR RH, GEN3 DH, NOGRIP, 2.1 SVC RPL	
1009289-00-B	1	SCR PF 50x12 DELTA PT STL ZNNI	
1015888-00-C	5	BLT,BTN,TRX,M5x16[10.9]-BK-X-SP-05	
1021114-00-E	1	BACK SEAL, DOOR HANDLE OUTER, RH	
1037045-00-A	5	Rivet Nut, M5x0.8, GRIP 0.5-3.3	
1067906-00-A	3	PUSH-NUT 5/32"x17/64"x1/32"	
1067943-00-A	1	PLATE, RR DOOR, RH	
1069106-01-B	1	JUMPER,DH3.0 JUMPER,REAR	
1069651-00-D	1	ASSEMBLY, DOOR HANDLE 3.0 CTRLR	
1109174-00-A	1	LED ASY, DOOR HANDLE 3.0 OUTER RH	If previous door handle equipped with LED
1118491-00-A	1	SEALED CONNECTOR PLUG, LED	If not equipped with LED (base handle). If the plug is not available, tape can be used to seal the connector cavity instead.
1052476-00-A	2	SPACER, GRIP, EXT DIE CAST DOOR HANDLE	Used only when reusing a metal grip from the original handle.
1052477-00-A	1	SPACER, GRIP, EXT DIE CAST DOOR HANDLE	Used only when reusing a metal grip from the original handle.

 **NOTE:** These part numbers were current at the time of publication. Use the revisions listed or later, unless otherwise specified in the Parts Manual.

## Parts Required to Replace a Generation 2.5 Door Handle Assembly

To retrofit a generation 3.0 door handle assembly into a door that has a generation 2.5 door handle assembly, parts other than the door handle assembly are required. Use the tables below to identify the required parts to order.


 **NOTE:** Generation 2.5 door handle assemblies are no longer produced and cannot be ordered.

 **NOTE:** When replacing a single generation 2.5 door handle assembly in the vehicle, it is not necessary to replace any other door handle assemblies. Each door in Model S can use a different generation of door handle.

## Front LH Door Parts Required

For instructions on how to perform the retrofit procedure, refer to Service Manual procedure 11451006.


Part Number	Quantity	Description	Notes
1100299-S0-A	1	ASSY – EXT HANDLE, LH, GEN 3, NO GRIP, SVC	
1069106-00-B	1	JUMPER,DH3.0,FRONT	
1063215-00-B	1	HARD COVER, EXT. DOOR HANDLE, LH	
1069651-00-C	1	ASSEMBLY, DOOR HANDLE 3.0 CTRLR	
1037847-00-D	1	ASY PLATE, FR DOOR, LH	
1109173-00-A	1	LED ASY, DOOR HANDLE 3.0 OUTER LH	
1015888-00-C	6	BLT,BTN,TRX,M5x16[10.9]-BK-X-SP-05	
1069401-00-A	5	SCREW,FC,50x15,STL,ZNNI,DELTAPT	
1009289-00-B	1	SCREW,PF,50x12, DELTA PT	
1016456-00-B	4	WSHR,6.0x18x1.6mm, EPOXY	
1052476-00-A	2	SPACER, GRIP, EXT DIE CAST DOOR HANDLE	Used only when reusing a metal grip from the original handle.
1052477-00-A	1	SPACER, GRIP, EXT DIE CAST DOOR HANDLE	Used only when reusing a metal grip from the original handle.

 **NOTE:** These part numbers were current at the time of publication. Use the revisions listed or later, unless otherwise specified in the Parts Manual.

## Front RH Door Parts Required

For instructions on how to perform the retrofit procedure, refer to Service Manual procedure 11451006.


Part Number	Quantity	Description	Notes
1100300-S0-A	1	ASSY – EXT HANDLE, RH, GEN 3, NO GRIP, SVC	
1069106-00-B	1	JUMPER,DH3.0,FRONT	
1064744-00-B	1	HARD COVER, EXT. DOOR HANDLE, RH	
1069651-00-C	1	ASSEMBLY, DOOR HANDLE 3.0 CTRLR	
1037846-00-D	1	ASY PLATE, FR DOOR, RH	
1109174-00-A	1	LED ASY, DOOR HANDLE 3.0 OUTER RH	
1015888-00-C	6	BLT,BTN,TRX,M5x16[10.9]-BK-X-SP-04	
1069401-00-A	5	SCREW,FC,50x15,STL,ZNNI,DELTAPT	
1009289-00-B	1	SCREW,PF,50x12, DELTA PT	
1016456-00-B	4	WSHR,6.0x18x1.6mm, EPOXY	
1052476-00-A	2	SPACER, GRIP, EXT DIE CAST DOOR HANDLE	Used only when reusing a metal grip from the original handle.
1052477-00-A	1	SPACER, GRIP, EXT DIE CAST DOOR HANDLE	Used only when reusing a metal grip from the original handle.

 **NOTE:** These part numbers were current at the time of publication. Use the revisions listed or later, unless otherwise specified in the Parts Manual.

## Rear LH Door Parts Required

For instructions on how to perform the retrofit procedure, refer to Service Manual procedure 11452006.


Part Number	Quantity	Description	Notes
1100299-S0-A	1	ASSY – EXT HANDLE, LH, GEN 3, NO GRIP, SVC	
1069106-01-B	1	JUMPER,DH3.0 JUMPER,REAR	
1063215-00-B	1	HARD COVER, EXT. DOOR HANDLE, LH	
1069651-00-C	1	ASSEMBLY, DOOR HANDLE 3.0 CTRLR	
1064363-00-A	1	PLATE, RR DOOR, LH	
1109173-00-A	1	LED ASY, DOOR HANDLE 3.0 OUTER LH	
1015888-00-C	6	BLT,BTN,TRX,M5x16[10.9]-BK-X-SP-04	
1069401-00-A	5	SCREW,FC,50x15,STL,ZNNI,DELTA PT	
1009289-00-B	1	SCREW,PF,50x12, ,DELTA PT	
1016456-00-B	4	WSHR,6.0x18x1.6mm, EPOXY	
1052476-00-A	2	SPACER, GRIP, EXT DIE CAST DOOR HANDLE	Used only when reusing a metal grip from the original handle.
1052477-00-A	1	SPACER, GRIP, EXT DIE CAST DOOR HANDLE	Used only when reusing a metal grip from the original handle.
1037045-00-A	5	Rivet Nut, M5x0.8, GRIP 0.5-3.2	

 **NOTE:** These part numbers were current at the time of publication. Use the revisions listed or later, unless otherwise specified in the Parts Manual.

## Rear RH Door Parts Required

For instructions on how to perform the retrofit procedure, refer to Service Manual procedure 11452006.

Part Number	Quantity	Description	Notes
1100300-S0-A	1	ASSY – EXT HANDLE, RH, GEN 3, NO GRIP, SVC	
1069106-01-B	1	JUMPER,DH3.0 JUMPER,REAR	
1064744-00-B	1	HARD COVER, EXT. DOOR HANDLE, RH	
1069651-00-C	1	ASSEMBLY, DOOR HANDLE 3.0 CTRL	
1067943-00-A	1	PLATE, RR DOOR, RH	
1109174-00-A	1	LED ASY, DOOR HANDLE 3.0 OUTER RH	
1015888-00-C	6	BLT,BTN,TRX,M5x16[10.9]-BK-X-SP-04	
1069401-00-A	5	SCREW,FC,50x15,STL,ZNNI,DELTAPT	
1009289-00-B	1	SCREW,PF,50x12, ,DELTA PT	
1016456-00-B	4	WSHR,6.0x18x1.6mm, EPOXY	
1052476-00-A	2	SPACER, GRIP, EXT DIE CAST DOOR HANDLE	Used only when reusing a metal grip from the original handle.
1052477-00-A	1	SPACER, GRIP, EXT DIE CAST DOOR HANDLE	Used only when reusing a metal grip from the original handle.
1037045-00-A	5	Rivet Nut, M5x0.8, GRIP 0.5-3.2	

 **NOTE:** These part numbers were current at the time of publication. Use the revisions listed or later, unless otherwise specified in the Parts Manual.

For feedback on the accuracy of this document, email [ServiceBulletinFeedback@tesla.com](mailto:ServiceBulletinFeedback@tesla.com).