

Model: Model X

Vehicle System: 11 - Closures

Region: All

Tech Note: Replacing Model X Rear Upper Door Glass

Tech Notes are announcements that help to communicate and track new information about Tesla Service concerns. Such concerns may or may not be VIN specific. These instructions assume knowledge of motor vehicle and high voltage electrical component repairs, and should only be executed by trained professionals. Tesla assumes no liability for injury or property damage due to a failure to properly follow these instructions or for repairs attempted by unqualified individuals.

This Service Document supersedes TN-18-11-001 R1, dated 7-Apr-20. Each content change is marked by a vertical line in the left margin. Discard the previous version and replace it with this one.


Use the information in this document to determine which part number to order when replacing the rear upper door glass on Model X.

Prior to service part simplification, multiple tint colors and two door carrier revisions were available for Model X, causing several part numbers to ensure compatibility with all Model X variants. With this revised parts update, two glass variants are now available for Model X.

In some cases, additional parts might be needed depending on what is currently installed on the vehicle, especially when performing body repairs or retrofits. Check the vehicle service history to confirm when using the build date.

Tint Color Match

Replace both rear upper door glasses on vehicles with discontinued tint colors to ensure tint color match unless the customer approves to replace only one side. Current production “Dark Black” tint uses the -00- style code.

 **NOTE:** “Dark Black” tint is used on the -S2- style code glass on pedigree -K and later. Prior to -K, -S2- style coded glass used a discontinued “Light Black” tint.

Rear Door Structure Changes


Model X built before February 27, 2016 have a different door structure compared to later vehicles.

The roof glass mounts to the door structure via studs. Pre-revision doors have a narrow stud pattern, and post-revision doors have a wide stud pattern. Current production also uses the wide stud pattern. Current production (wide-studded) glass modules are not compatible with narrow stud pattern doors without door modification.

For compatibility, two style codes are available:

- For narrow stud pattern doors, -S2- style coded glass is needed (see table below).
- For wide stud pattern (current production) doors, -00- style coded glass is needed (see table below).

Most vehicles have wide stud pattern doors.

 **NOTE:** A small quantity of narrow stud pattern Model X vehicles were modified to accept -00- style coded glass. Always confirm service history on narrow stud pattern vehicles.

Identifying Door Stud Pattern

There are 4 ways to identify the narrow stud pattern doors:

- By checking the cantrail seal attachment method
- By checking the rear upper door part number
- By checking the build date
- By checking the service history (always confirm service history on narrow stud pattern doors)

Cantrail Seal Attachment Method

Examine the cantrail seal. Narrow stud pattern doors can have both glued cantrail seals (Figure 1) or bolted cantrail seals (Figure 2). Wide stud pattern doors have bolted cantrail seals only (Figure 2).

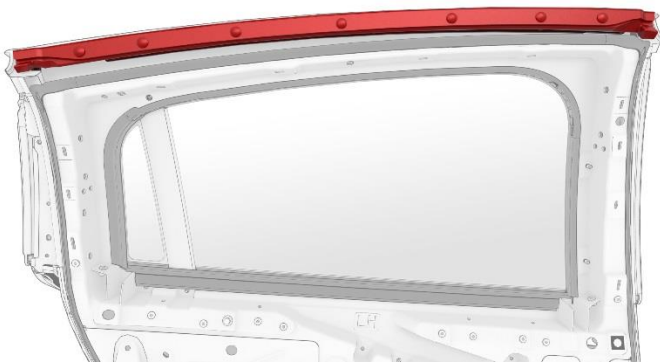


Figure 1 – Glued cantrail seal attachment

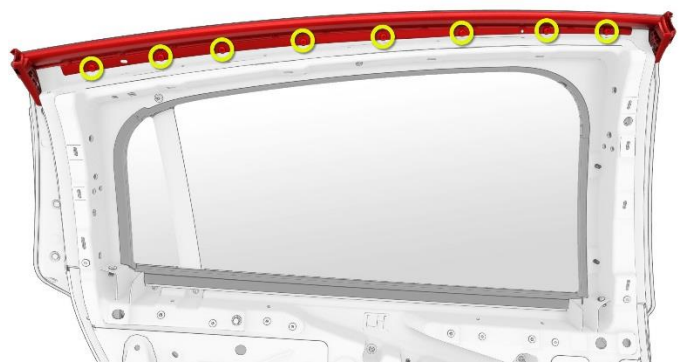


Figure 2 – Bolted cantrail seal, bolts circled

Rear Upper Door Part Number

Check the glass stud access points on the interior side of the rear upper door near the corners. Narrow stud pattern doors, 102876X-00-H and earlier, have circular access holes (Figure 3). Wide stud pattern doors, 102876X-00-I and later, have oblong-shaped access slots (Figure 4).

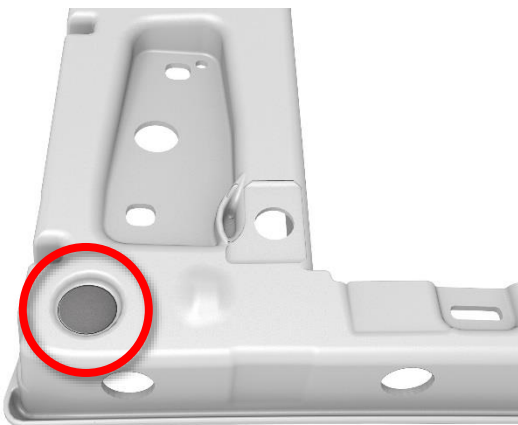


Figure 3 – Rev. H and earlier door; inset circled

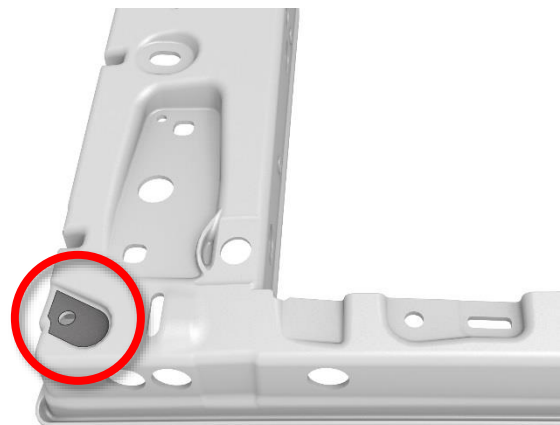


Figure 4 – Rev. I and later upper door; inset circled

Build Date


Check the build date on the door manufacturing label, or use the VIN to look up the build date.

- **Narrow stud pattern upper door vehicle build date range:** Start of production to February 26th, 2016
- **Wide stud pattern upper door vehicle build date range:** February 27th, 2016 and later

Service History

Confirm rear upper door stud pattern with the vehicle's service history.

Look for prior technician notes, upper or lower rear door replacement, collision or body shop repair, or modification labor correction codes.


 **NOTE:** Do not use glass -S2-E and earlier to confirm door stud pattern.


Determining Parts to Order


If a narrow stud pattern door is detected during service visit preparation, this should be confirmed by checking the service history, or verified directly on the vehicle.

Use this table to determine the appropriate glass style code:

Vehicle Characteristic	Narrow Stud Pattern Door / Glass	Wide Stud Pattern Door / Glass
Cantrail seal attachment	Glued or bolted	Bolted
Rear upper door part number	LH: 1028768-00-H, or earlier RH: 1028769-00-H, or earlier	LH: 1028768-00-I, or later RH: 1028769-00-I, or later
Build date	Start of production to February 26, 2016	February 27, 2016 to present
Replacement upper door glass to order	Use style code: -S2- LH: 1034902- S2 -* RH: 1034903- S2 -* Both: No kit available, order individually	Use style code: -00- LH: 1034902- 00 -* RH: 1034903- 00 -* Both: 1645902- 00 -*

 **NOTE:** Check the Parts Manual for newer part revisions or updates. Order the latest part numbers where * appears.

 **NOTE:** Glued cantrail seal can identify a narrow stud pattern door, but bolted cantrail seals don't guarantee a wide stud pattern door.

 **NOTE:** Always confirm narrow stud pattern door service history when preordering glass.

For feedback on the accuracy of this document, email ServiceBulletinFeedback@tesla.com.