

Strata® DK Technical Bulletin

TBDK-0021
October 19, 1998

4 0 3 1 0 4 9

Digital Single Line Telephone I&M and Programming Updates Version D.1 to D.2

The pages included with this bulletin will update your *Strata DK Installation and Maintenance (I&M) and Programming Manuals* to documentation version D.2.

Recently, we started shipping Strata DK Digital Single Line Telephones (DKT2001). Enclosed are two update pages with instructions on installing and programming the DKT2001. The *Digital Single Line Telephone User Guide (DKA-UG-DKSLT-VA)* is also available for operating instructions.

- ♦ Insert the enclosed Page 9-53/9-54 at the end of Chapter 9 – Station Apparatus into your *Strata DK I&M Manual*.
- ♦ Remove the existing Page 3-113/3-114 from your *Strata DK Programming Manual* and replace it with the enclosed updated page.

Programming Considerations

One of the differences between the Strata DKT2001 and the other Strata DK 2000-series telephones is that the DKT2001 has a single flexible feature button. This difference requires a modified approach to programming the DKT2001.

Important! *The **Line** button on the DKT2001 is flexible button 01. Only program a [PDN] onto this button. Do not program CO lines or secondary line appearances onto button 01 or in any other position. Since the system assigns CO lines 01~17 by default, be sure to remove any CO line appearances by programming them as Station Speed Dial buttons (code *).*

Toshiba America Information Systems, Inc.

Telecommunication Systems Division
9740 Irvine Blvd., Irvine, CA 92618-1697 (949) 583-3700
<http://telecom.toshiba.com>

1 of 1

DKT2001 Digital Single Line Telephone

The following provides information on how to connect the DKT2001 Digital Single Line Telephones (SLTs) to the DK system.

Before proceeding, see warning and caution notes in “[Telephone Installation](#)”.

The digital SLTs connect to the digital telephone ports via the MDF with standard twisted-pair jacketed telephone cable. If using 24 AWG cable, single-pair wiring is sufficient in most cases for DKT2001 model standard telephones to operate effectively at up to 1000 feet from the system.

To accommodate the digital telephone line cord, the cable should be terminated in a modular station connector block (RJ-11) at the station location. The standard single-pair, modular DKT2001 model standard telephone cord that is sent with the telephone is 7 ft. (the maximum allowed is 25 ft.).

Digital telephone cable runs must not have cable splits (single or double), cable bridges (of any length), or high resistance or faulty cable splices.



► To wall mount DKT2001 digital SLTs

1. Loosen the screws, and remove the telephone base.
2. Using a suitable cutter, remove the handset hanger from the base.
3. Insert the handset hanger in the slot on the front of the phone. The hanger fits in the notch on the handset cradle.
4. Rotate the telephone base 180 degrees and secure it to the telephone with its four screws.
5. Connect the phone to the wall modular connector with a cord approximately four inches long (available at most telephone supply companies).
6. Route the cord into the hollow portion of the base.
7. Mount the phone on the wall mounting modular connector plate.

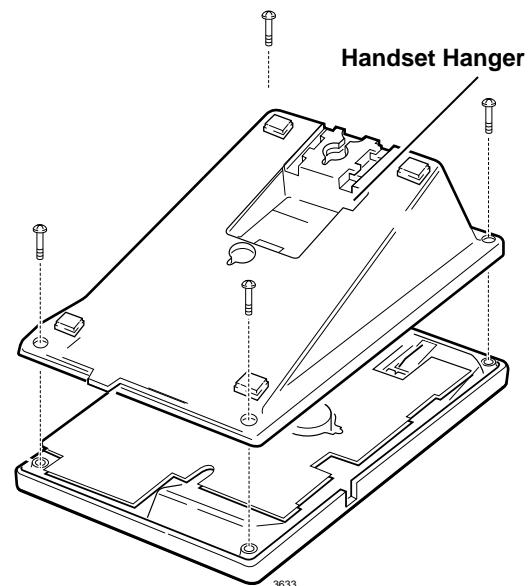


Figure 9-20 Removing the Telephone Base

Installation

1. Set the DIP switches to match [Figure 9-21](#).
2. If required to achieve maximum distance (greater than 1000 ft.), install a two-pair house cable (or external power).

Programming

Program 03: Specify Code 61 to indicate a station line PDKU2.

Program 27: Adjusts initial off-hook volume level for digital telephone handsets.

Program 38: Specify Code 21.

Program 39: Specify button 01 as a [PDN].

Important! *Do not program CO lines or secondary line appearances onto button 01 or in any other position. Since the system assigns CO lines 01~17 by default, be sure to remove any CO line appearances by programming them as Station Speed Dial buttons (code *).*

Note If the **Speed Dial Select** button is removed, the * key becomes the **Speed Dial Select** button. While on an outside call, the user must press * then # to activate the * and # DTMF tones for the duration of the call.

Program 92-5: Initializes initial ringing, speaker, and muted ring volume levels of digital telephones.

Also, refer to the Numerical Programming Listing in the *Strata DK Programming Manual* for other station-related programs.

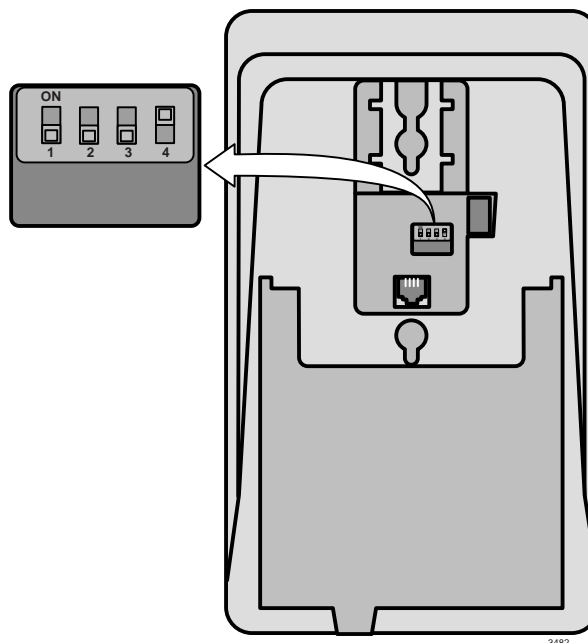


Figure 9-21 DKT2001 Single Line Digital Telephone Settings

Program 39 Flexible Button Assignments

Processor Type: DK14, DK40, All RCTUs

Program Type: Station

Initialized Default: See Program 38

* # * # 1 * 2 * 3 - Spkr 3 9 Hold - Spkr # Hold - Spkr # # Hold - Spkr # # Hold

SELECT = Port Number

Code

Press LED Button to be defined.

Enter the port number(s) to which class of service must be assigned. To add a port range, enter XXX*XXX (low port * high port).

Port No. _____	10 <input type="checkbox"/>	LCD <input type="checkbox"/>	20 <input type="checkbox"/>	DIU <input type="checkbox"/>
Location:				
Button	Code	Button	Code	
10		20		
09		19		
08		18		
07		17		
06		16		
05		15		
04		14		
03		13		
02		12		
01		11		

Port No. _____	10 <input type="checkbox"/>	LCD <input type="checkbox"/>	20 <input type="checkbox"/>	DIU <input type="checkbox"/>
Location:				
Button	Code	Button	Code	
10		20		
09		19		
08		18		
07		17		
06		16		
05		15		
04		14		
03		13		
02		12		
01		11		

Port No. _____	10 <input type="checkbox"/>	LCD <input type="checkbox"/>	20 <input type="checkbox"/>	DIU <input type="checkbox"/>
Location:				
Button	Code	Button	Code	
10		20		
09		19		
08		18		
07		17		
06		16		
05		15		
04		14		
03		13		
02		12		
01		11		

Port No. _____	10 <input type="checkbox"/>	LCD <input type="checkbox"/>	20 <input type="checkbox"/>	DIU <input type="checkbox"/>
Location:				
Button	Code	Button	Code	
10		20		
09		19		
08		18		
07		17		
06		16		
05		15		
04		14		
03		13		
02		12		
01		11		

Port No. _____	10 <input type="checkbox"/>	LCD <input type="checkbox"/>	20 <input type="checkbox"/>	DIU <input type="checkbox"/>
Location:				
Button	Code	Button	Code	
10		20		
09		19		
08		18		
07		17		
06		16		
05		15		
04		14		
03		13		
02		12		
01		11		

Port No. _____	10 <input type="checkbox"/>	LCD <input type="checkbox"/>	20 <input type="checkbox"/>	DIU <input type="checkbox"/>
Location:				
Button	Code	Button	Code	
10		20		
09		19		
08		18		
07		17		
06		16		
05		15		
04		14		
03		13		
02		12		
01		11		

Port No. _____	10 <input type="checkbox"/>	LCD <input type="checkbox"/>	20 <input type="checkbox"/>	DIU <input type="checkbox"/>
Location:				
Button	Code	Button	Code	
10		20		
09		19		
08		18		
07		17		
06		16		
05		15		
04		14		
03		13		
02		12		
01		11		

Port No. _____	10 <input type="checkbox"/>	LCD <input type="checkbox"/>	20 <input type="checkbox"/>	DIU <input type="checkbox"/>
Location:				
Button	Code	Button	Code	
10		20		
09		19		
08		18		
07		17		
06		16		
05		15		
04		14		
03		13		
02		12		
01		11		

Port No. _____	10 <input type="checkbox"/>	LCD <input type="checkbox"/>	20 <input type="checkbox"/>	DIU <input type="checkbox"/>
Location:				
Button	Code	Button	Code	
10		20		
09		19		
08		18		
07		17		
06		16		
05		15		
04		14		
03		13		
02		12		
01		11		

Port No. _____	10 <input type="checkbox"/>	LCD <input type="checkbox"/>	20 <input type="checkbox"/>	DIU <input type="checkbox"/>
Location:				
Button	Code	Button	Code	
10		20		
09		19		
08		18		
07		17		
06		16		
05		15		
04		14		
03		13		
02		12		
01		11		

Port No. _____	10 <input type="checkbox"/>	LCD <input type="checkbox"/>	20 <input type="checkbox"/>	DIU <input type="checkbox"/>
Location:				
Button	Code	Button	Code	
10		20		
09		19		
08		18		
07		17		
06		16		
05		15		
04		14		
03		13		
02		12		
01		11		

Port No. _____	10 <input type="checkbox"/>	LCD <input type="checkbox"/>	20 <input type="checkbox"/>	DIU <input type="checkbox"/>
Location:				
Button	Code	Button	Code	
10		20		
09		19		
08		18		
07		17		
06		16		
05		15		
04		14		
03		13		
02		12		
01		11		

Program 39 Overview

Program 39 assigns features to the flexible buttons for individual telephones in the system. Several types of buttons can be assigned with this program, including:

- ♦ Feature
- ♦ [PDNs], [SDNs] and [PhDNs] – Message Waiting buttons can be assigned to [PhDNs]
- ♦ Alert Signal (Buzz key)

Feature Buttons Assignments

You can assign commonly used telephone features to any flexible button (see Table 3-1). Button assignments can be different for individual telephones. Telephone users can also assign flexible buttons if their COS and/or if programming permits the feature on their telephone.

Important!

- *DKAdmin programs a Pause on buttons 11~20 on 10-key telephones.*
- *The **Line** button on the DKT2001 is flexible button 01. Only program a [PDN] onto this button. Do not program CO lines or secondary line appearances onto button 01 or in any other position. Since the system assigns CO lines 01~17 by default, be sure to remove any CO line appearances by programming them as Station Speed Dial buttons (code *).*

Note If the **Speed Dial Select** button is removed, the * key becomes the **Speed Dial Select** button. While on an outside call, the user must press * then # to activate the * and # DTMF tones for the duration of the call.

► To assign features to flexible buttons

1. Complete Program 38 before Program 39. Initialized data assigns the keystick pattern associated with Code 31 from Program 38.
2. Use “Program 39 Flexible Button Assignments” on Page 3-113 to indicate feature buttons. Use the programming sequence on the following page to perform the following steps.
3. Program the port number or enter a range of port numbers.
4. Press the button that will be associated with the feature.
5. Enter the feature code.
6. Repeat this procedure until all feature buttons have been assigned.

Table 3-1 Feature Button Codes for Digital and Electronic Telephones

Button Function	Button Labels	Code	Notes
Account Code	Account Code or ACCNT	450	Allows a Voluntary Account Code entry.
Alarm	Alarm Reset or ALRM	477	Resets alarm condition system-wide.
Alert Signaling (see following pages)			
All Call Voice Page	All Call Page or AC	489	Pages up to 120 idle electronic or digital telephones over
Automatic Busy Redial	Auto Busy Redial or ABR	470	Sets ABR of busy outgoing number.
Automatic Callback Busy	Auto Callback or ACB	494	Sets ACB for station recalled by busy line.
Background Music	Tel Set Music or BGM	478	Turns BGM ON or OFF through station speaker.
Call Forward All Calls	Call Frwd All Calls or CFAC	487	All calls forward to selected station.
Call Forward A.C. Fixed	Call Frwd to: or CFF	486	Forwards all calls to pre-defined destination. See Program 36.