

Strategy Technical Bulletin

TB40-0010
June 28, 1996

Page 1 of 4

Strategy 6 Lite Voice Processing System

This bulletin describes the new Strategy 6 Lite Voice Processing system. The Strategy 6 Lite is a more cost-effective hardware platform that utilizes Strategy 6 System Software. This new system supports nearly all of the features of the original Strategy 6 (see the Feature Description section of this bulletin for comparisons) but is **not** a replacement for the Strategy 6. The Strategy 6 Lite complements the Strategy 6 to meet the needs of small- to medium-sized businesses.

Hardware Description

The Strategy 6 Lite is a PC-based system like all of the other Strategy products and carries Toshiba's two-year warranty. The Strategy 6 Lite hardware platform is a desktop model that supports up to 3 voice boards for a maximum of 12 ports, and provides 33 hours of voice storage. The motherboard and power supply of the Strategy 6 Lite are unique for this product. The new motherboard incorporates a 386 DX-40 Megahertz CPU with 2MB of (RAM) memory.

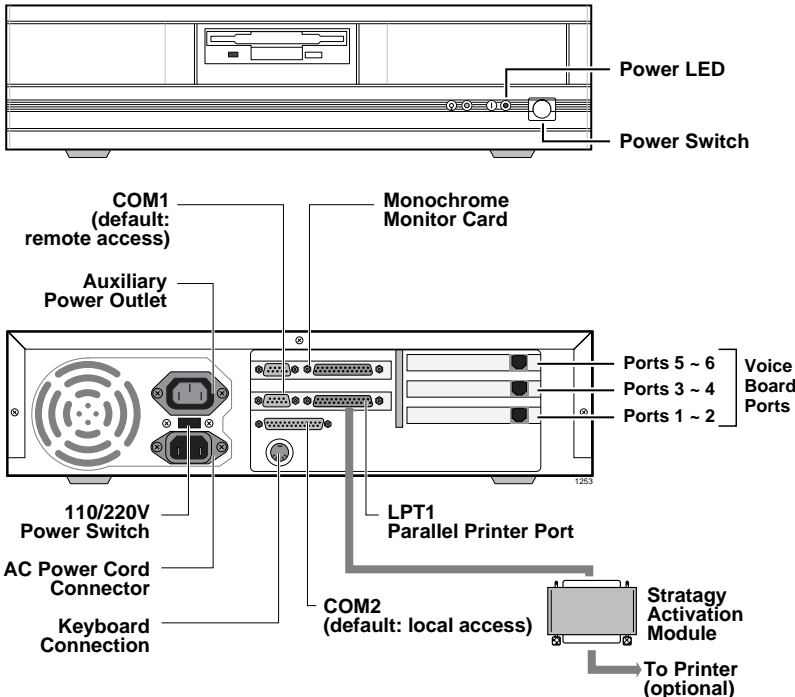


Figure 1. Strategy 6 Lite

Strategy 6 Lite Voice Processing System

The peripheral circuit boards (i.e., disk controller and video controller) are identical to those used in the Strategy 4 and 6 products.

The Strategy 6 Lite system is factory equipped with either a Duet (two ports) or Quartet (four ports) voice board.

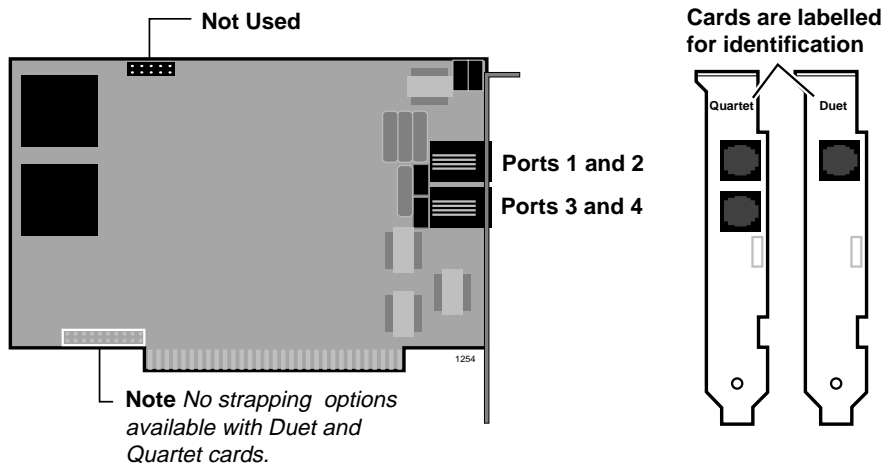


Figure 2. Duet and Quartet Voice Boards

The Duet and Quartet voice boards from Rhetorex are half-size cards that are more cost-effective than our standard voice boards. These new boards have no strapping options and are **fixed configured as the first voice board in a system**. Therefore, only one Duet (two ports) or Quartet (four ports) voice board may be used in a system. Additional port capacity can be obtained in the Strategy 6 Lite by adding standard voice boards.

CAUTION! Care should be taken when mixing standard and duet/quartet voice boards. The Duet and Quartet voice boards cannot perform the Alternate Rate (Speed Control) feature introduced with Release 2 software, whereas the standard voice boards in the Strategy 6 Lite allow Alternate Rate.

Duet or Quartet voice boards can also be installed in a Strategy 6 system, with version 2.09E software. The Strategy 6 system will not be offered with the cards pre-installed.

Software Description

The Strategy 6 Lite uses a new release of software called Strategy System Software Version 2.09E. Version 2.09E was created to allow the new Duet or Quartet voice board to operate in the system.

Beginning with the release of the Strategy 6 Lite, all Strategy 6 systems will begin shipping with Version 2.09E software installed. The Strategy Activation Module (SAM) for a Strategy 6 will also be used with the new Strategy 6 Lite system.

There is also a 2.09E software version, SG-16S2.0E, available for use with the Strategy 6 Lite to 12 System Upgrade Kit (SG-6LUP12) and the Strategy 6 to 16 System Upgrade Kit (SG-6UP16). However, due to the difference in hardware there are some feature differences between the two kits (see the Upgrade Capability section on the next page for detail).

Strategy 6 Lite Voice Processing System

Note *Version 2.09E software and the Duet and Quartet voice boards cannot function with the Strategy 4 or Strategy 24 systems.*

Feature Description

All Release 2 features function the same on the Strategy 6 Lite as they do on all other Release 2 Strategy systems. For details on Release 2 features and options, see the Release 2 *General Description, Installation and Maintenance Manual, and User Guide*. The Strategy 6 Lite's configuration contains certain limitations when compared to the Strategy 6. The following matrix illustrates the differences between the two systems.

Note *Although tokens used for Interactive Voice Response (IVR) are present in 2.09E software, IVR applications are not supported on the Strategy 6 Lite system.*

Features	Strategy 6 Lite	Strategy 6
RS-232 Serial communication ports - standard	2	2
RS-232 Serial communication ports - optional	Not Available	4
IVR Tokens supported	No	Yes
Upgrade to Strategy OS/2	No	Yes
Alternate Rate (Speed Control) with Duet or Quartet voice boards	No	No
Alternate Rate (Speed Control) with standard voice boards	Yes	Yes

Upgrade Capability

Strategy 16 software (SG-16S2.0E) is included in both the Strategy 6 Lite to 12 System Upgrade Kit (SG-6LUP12) and the Strategy 6 to 16 System Upgrade Kit (SG-6UP16). The following table shows the feature differences between the two systems.

Features with Strategy 16 Software (SG-16S2.0E)	Strategy 6 Lite 12 System Upgrade Kit (SG-6LUP12)	Strategy 6 16 System Upgrade Kit (SG-6UP16)
Fax Back, Fax on Demand, & Fax Messaging with Fax Modem	Not Available	Yes
Maximum number of ports	12	16
Disk Redundancy Upgrade Kit	Not Available	Optional

Note *Incoming Fax Tone Detection for transfer to a fax machine is supported on the Strategy 6 Lite.*

Strategy 6 Lite Voice Processing System

The same Strategy 16 SAM (SG-SAM-16) and Video (VGA) controller card (SG-VC24) are used for both upgrade kits. The Strategy 6 Lite to 12 System Upgrade Kit requires the replacement of the 2MB of memory (consisting of eight 256KB boards) with 4MB of memory (Part # SG-4MB6L), consisting of four 1MB boards, which is supplied with the kit. The Strategy 6 to 16 upgrade kit only requires a 2MB memory board (included with the kit) to be added to the existing 2MB of memory in the system. It is important, therefore, to order the appropriate upgrade kit for the corresponding system in order to implement the above features.

Note *The Strategy 6 Lite cannot be upgraded to a Strategy 6 or a Strategy 16.*

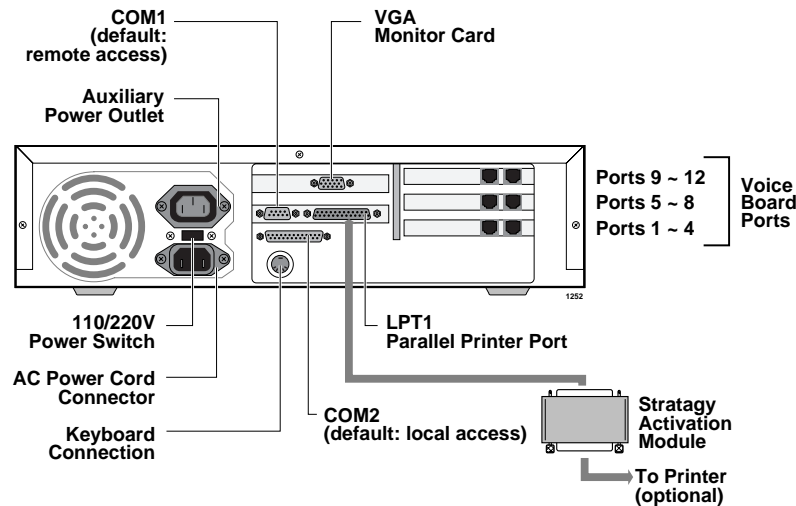


Figure 3. Strategy 6 Lite with 12 System Upgrade Kit

Installation

The procedures for proper installation of the Strategy 6 Lite are the same as the Strategy 6. See Chapter 2 – Hardware Installation of the Release 2 *Strategy Installation and Maintenance Manual* (starting on page 2-10).

Accessing Strategy

The procedures for accessing the Strategy 6 Lite, both locally and remotely, are the same as the Strategy 6. See the “Accessing Strategy” section of the Release 2 *Installation and Maintenance Manual*.