



TECHNICAL Practice

TELECOM SOLUTIONS FOR THE 21ST CENTURY

HF-3W

**Handsfree Talkback
Amplifier**

May 25, 2000

Allow Employees to Respond to Paging Messages, Handsfree!



The **HF-3W** handsfree paging unit allows employees to respond to a paging message without reaching for the telephone. It is perfect for use in city desks, shipping and service applications where quick answers are needed.

The **HF-3W** generates its own talk battery and will interface with unused trunk ports on PABX's and key systems, and single line phones, as well as some telephone systems with a two-way paging port and a contact closure.

Simply page the intended employee with a question and they can respond by speaking toward the paging horn.

Paging and talk-back volume sensitivity controls are provided.

Features

- Improved audio circuitry
- Alert tone
- Selectable "Push-to-Talk" feature for noisy environments
- 28V DC talk battery
- 3 watts of paging power
- Compatible with some two-way paging ports
- Background music input
- May be integrated into existing paging system
- (1) 25AE paging horn included
- 25-50 foot talk-back range
- Optional second speaker may be added

Phone...715.386.8861

info@vikingelectronics.com

http://www.vikingelectronics.com

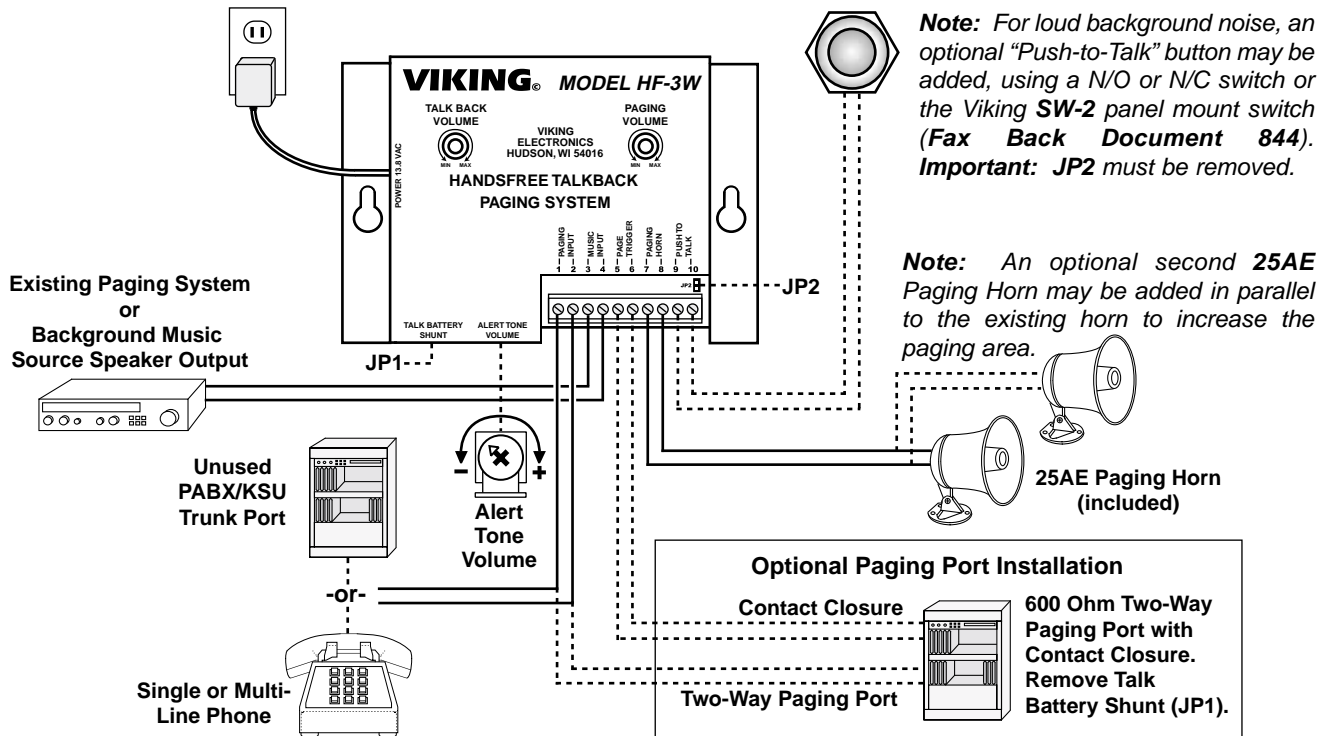
Applications

- City desks
- Shipping docks
- Manufacturing plants
- Service desks
- Warehouses
- Schools
- Parts departments

Specifications

Power: 120V AC/13.8V AC 1.25A, UL listed adapter provided
Dimensions: 133mm x 89mm x 44mm (5.25" x 3.5" x 1.75")
Shipping Weight: 1.36 kg (3 lbs.)
Environmental: 0°C to 32°C (32°F to 90°F) with 5% to 95% non- condensing humidity
Talk Battery: 28V DC
Speaker: (1) 25AE 8 ohm 5 watt horn included, (2) maximum
Maximum Speaker Run: 152 m (500 ft) maximum, 18 AWG
Amplifier: 3 watt output power
Connections: 10 pin screw terminal strip

Installation



Programming

A. Normal Background Noise Environment

1. Under normal background noise levels, set the **Paging Volume** control so that the page may be heard as required. Then set the **Talk Back Volume** control in the middle (12 o'clock) position.
2. Test talk-back to be sure that the HF-3W will switch between paging and talk-back for your desired operating distance and noise level.
3. Adjust the **Talk Back Volume** control as necessary for your environment. The louder the background noise level, the more you will have to decrease the **Talk Back Volume** and the shorter your talk-back distance will be.

B. Loud Background Noise Environment

If the background noise is too loud for the HF-3W's VOX circuit to operate properly, you will need to add a "push-to-talk" button across screw terminals 9 and 10, and remove shunt JP2. The "push-to-talk" button may be installed at either the telco end or the speaker end. Use a normally open switch for the telco side or use a normally closed switch for the speaker side.

C. Two-Way Paging Port Interface

If the **Paging Input** is to be connected to a paging port, the paging port must allow two-way talk path and provide a contact closure during paging. Disable the Talk Battery by removing the **Talk Battery Shunt (JP1)** before connecting to the paging port.

D. Page Alert Tone

If a page alert tone is not required, set the **Alert Tone Volume** to minimum (see diagram above).

Operation

When sitting idle, the HF-3W allows audio from a background music source or an existing paging system's speaker output to pass through to the paging horn.

Handsfree talk back paging is achieved by either accessing the two-way paging port, accessing the unused trunk port, or coming off-hook on the single/multi-line phone. At this time, the background music is muted, a page alert tone is given and paging with talk back is enabled.

Product Support Line...715.386.8666

Fax Back Line...715.386.4345

Due to the dynamic nature of the product design, the information contained in this document is subject to change without notice. Viking Electronics, and its affiliates and/or subsidiaries assume no responsibility for errors and omissions contained in this information. Revisions of this document or new editions of it may be issued to incorporate such changes.