

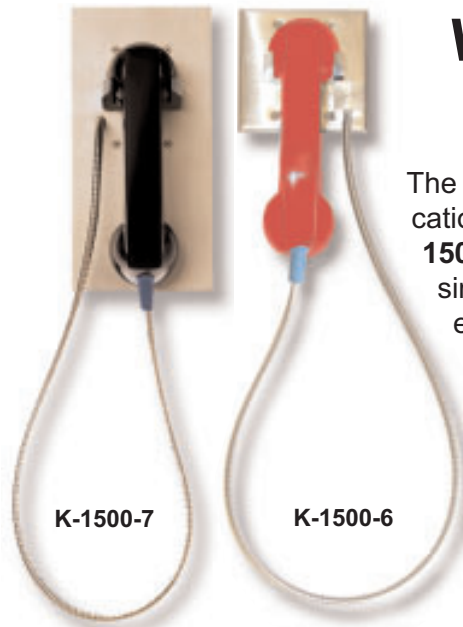
TECHNICAL Practice

TELECOM SOLUTIONS FOR THE 21ST CENTURY

K-1500 Series

Stainless Steel Panel Telephones

January 10, 2002



Vandal Resistant, Stainless Steel, Panel Telephones

The **K-1500 Series** provides simple vandal resistant, communication in a flush mount, stainless steel, panel telephone. The **K-1500-7** and **K-1500-6** work ideally with Viking's **DLE-200B** line simulator or on a dedicated ringdown circuit. If dialing is necessary, use Viking's **K-1900-7** or combine the **K-1500 Series** phones with Viking's **K-1900-5** Hot-Line Dialer.

The **K-1500 Series** phones consist of a heavy gauge stainless steel panel, an armored cable, a heavy duty handset, and an all metal cradle. The **K-1500-7** features a black handset while the **K-1500-6** features a red handset. Both phones are designed to mount to a standard double gang electrical box.

Phone...715.386.8861

Features

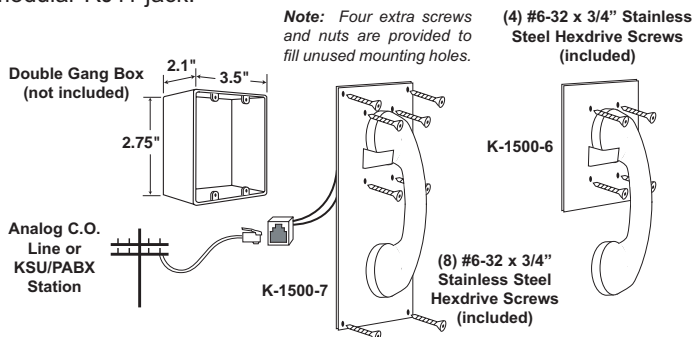
- Operates on C.O. lines or analog PABX/KSU stations
- Flush mounts to a standard double gang box
- Optional **VE-5x10** Surface Mount Box (**K-1500-7** only)
- Optional **VE-9x20** Weather-proof Box (**K-1500-7** only)

? Need More Information the VE-5x10? Call (715) 386-4345 and select 424.

? Need More Information the VE-9x20? Call (715) 386-4345 and select 413.

Installation

The **K-1500 Series** phones are designed to be flush mounted to a standard double gang box (not included). Connect tip and ring to the modular RJ11 jack.



Applications

- Ringdown phones
- Catalog sales
- Kiosks in malls
- Courtesy and customer service phones
- Automated tellers
- Security and emergency phones
- Hot-Line phone when used with a **K-1900-5** Hot-Line Dialer
- Point to point communication when used with the **DLE-200B** Line Simulator

? Need More Information the K-1900-5? Call (715) 386-4345 and select 317.

? Need More Information the DLE-200B? Call (715) 386-4345 and select 605.

<http://www.vikingelectronics.com>

Specifications

- Power:** Telephone line powered
- Dimensions:** **K-1500-6** - 115mm x 115mm x 100mm (4.5" x 4.5" x 4"), **K-1500-7** - 127mm x 254mm x 102mm (5" x 10" x 4")
- Shipping Weight:** **K-1500-6** - 0.9 kg (2 lbs), **K-1500-7** - 1.8 kg (4 lbs)
- Environmental:** 0°C to 32°C (32°F to 90°F) with 5% to 95% noncondensing humidity
- Connections:** (1) RJ11 jack
- Panel Material:** .125 inch stainless steel
- Mounting:** Flush mountable to a standard double gang box

Product Support Line...715.386.8666

Fax Back Line...715.386.4345

Due to the dynamic nature of the product design, the information contained in this document is subject to change without notice. Viking Electronics, and its affiliates and/or subsidiaries assume no responsibility for errors and omissions contained in this information. Revisions of this document or new editions of it may be issued to incorporate such changes.