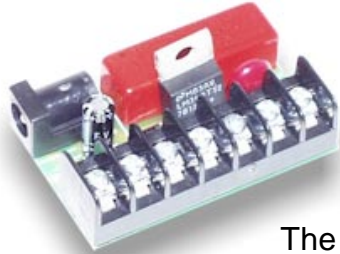


Loop Detector Board with on board 12 Volt Regulator



The **LDB-1** provides a loop activated contact closure when used in series with telecom devices on analog phone lines. The **LDB-1** will initiate a dry relay contact on any off-hook condition. Alternatively, add the optional **PS-2** power supply to provide switched DC power.

The relay itself is phone line powered and does not need an external power supply. Because both TIP and RING currents flow through the relay, excellent line balance is maintained.

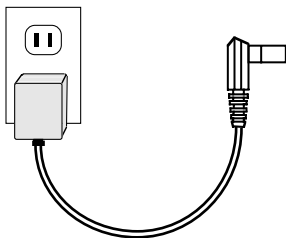
<http://www.VikingElectronics.com>
 Sales...(715) 386-8861

Specifications

- | | |
|---|---|
| Dimensions: 47.6mm x 30.5mm (1.875" x 1.2") | Maximum Supply Voltage Input: 35 VDC |
| Mounting: (2) #4 screws (not included) or foam tape (included) | Maximum 12V Supply Current: 500 mA with PS-2 |
| Shipping Weight: .45 kg (1 lb) | Longitudinal Balance: 63 dB minimum |
| Added Loop Resistance: 40 ohms | Maximum Contact Voltage: 200 VDC |
| Maximum Loop Current: 125 mA | Maximum Contact Current: 500 mA |
| Minimum Loop Current: 18 mA | Maximum Contact Power: 10 W |
| Operating Temperature: -26° to 54°C (-15° to 130° F) | Connections: 7 pin screw terminal block |

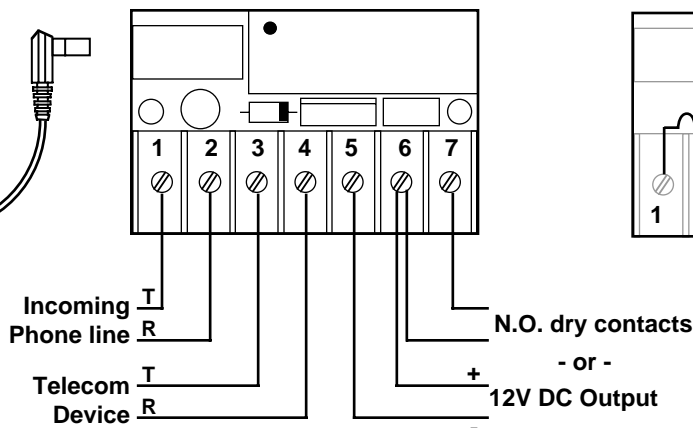
Installation

Optional PS-2 Power Supply
 (not included)

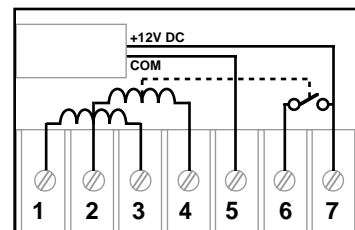


Note: If dry contacts are required, do not use PS-2.

Installation Diagram



Schematic Diagram



Product Support Line...(715) 386-8666

Fax Back Line...(715) 386-4345

Due to the dynamic nature of the product design, the information contained in this document is subject to change without notice. Viking Electronics, its affiliates and/or subsidiaries assume no responsibility for errors and/or omissions contained in this information. Revisions of this document or new editions of it may be issued to incorporate such changes.