

Telecommunication Peripheral Products

Technical Practice

LS-4x4

Line Scanner

March 11, 1999

Share Multiple Lines between Modems, Fax Machines and Credit Card Readers

Eliminate the need for dedicated lines with the **LS-4x4** line scanner!

Each **LS-4x4** will accept one to four telephone lines and one to four devices. Depending on the number of line scanners cascaded, 1, 2, 3, 4...8...12 or more modems, credit card readers, fax machines, etc., may share one to four telephone lines or analog PABX/KSU stations.



When a device, such as a modem, attached to a device port needs access to a telephone line, the **LS-4x4** will instantly scan for an open line starting from the last line to the first line. When the **LS-4x4** detects an open line, that line is routed to the device port, while incoming calls may also be routed to a corresponding device port. If no lines are available, a fast busy tone will be returned.

<http://www.VikingElectronics.com>

E-mail...Sales@VikingElectronics.com

Features

- Modular installation
- High speed modem compatible, copper wire through will not cause a step down in speed
- Cascadeable to accommodate additional devices
- Programmable to allow incoming calls
- Credit card reader compatible
- Reverse line scanning for compatibility with rollover lines and hunt groups
- Provides fast busy signal when all lines are in use
- One year warranty

Made in the U.S.A.

Sales...(715) 386 - 8861

Applications

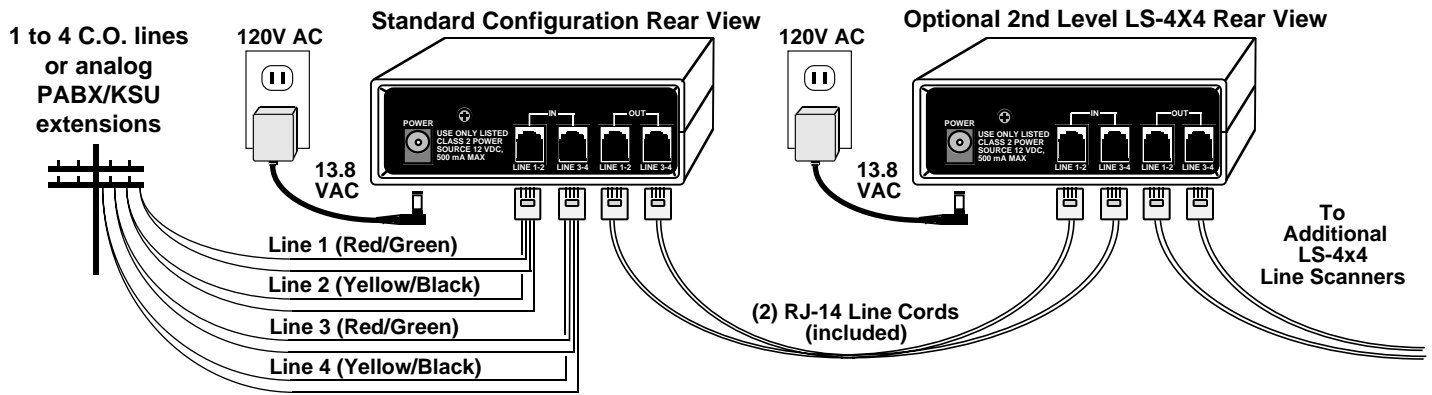
Eliminate dedicated lines for...

- Modem pools
- Credit card readers
- Internet access
- Fax machines
- Courtesy phones
- Emergency phones (requires UPS)
- Information kiosks

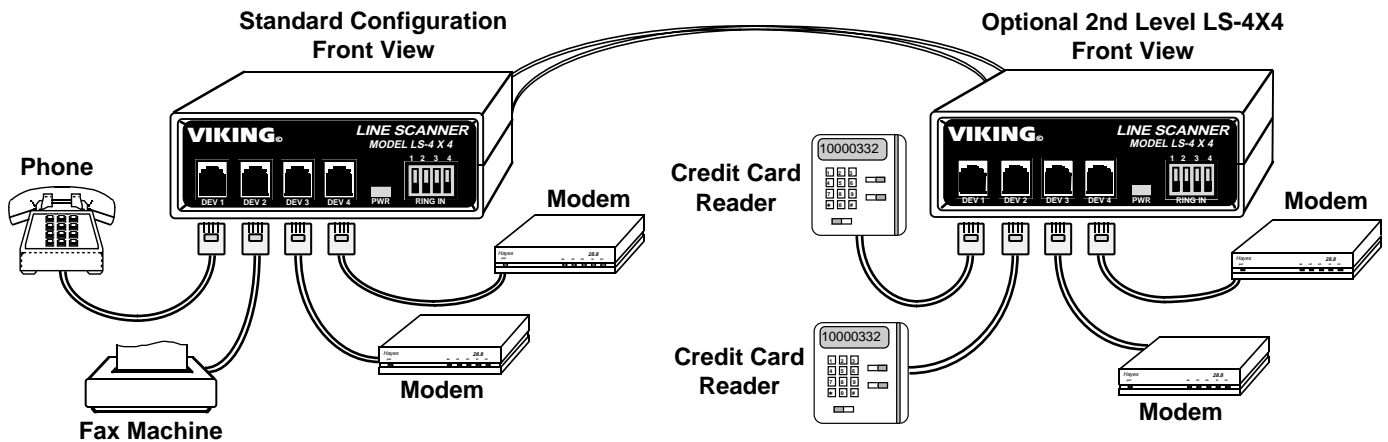
Specifications

Power: 120VAC/13.8VAC 1.25A UL listed adaptor provided
Dimensions: 133mm. x 130mm. x 38mm. (5.25" x 5.1" x 1.5")
Shipping Weight: 1.0 Kg (2 lbs 3 oz.)
Environmental: 0°C to 32°C (32°F to 90°F) with 5% to 95% non-condensing humidity
Busy Tone: 500 Hz - 250 ms on/ 250 ms off
Talk Battery: 40V DC while lines are available, 12 V DC when all lines are in use (for credit card reader line detection)
Connections: (4) RJ-14 jacks, (4) RJ-11 jacks

Installation



Note: Radio Shack part # 279-4011 combines two RJ-11's (one line) into one RJ-14 (two lines).

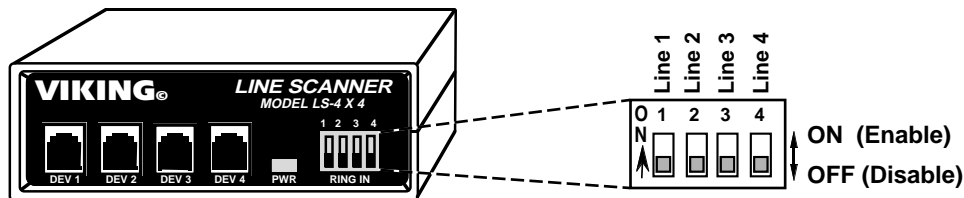


Programming

Incoming calls on each line can be routed to their corresponding device port by turning the appropriate dip switch on.

Note: It is recommended that incoming calls be connected to the lower device ports.

Front View of the LS-4X4



| Dip Switch | Position | Example |
|------------|----------|--|
| 1 | ON | All incoming calls on LINE 1 will ring DEV 1 |
| 2 | ON | All incoming calls on LINE 2 will ring DEV 2 |
| 3 | ON | All incoming calls on LINE 3 will ring DEV 3 |
| 4 | ON | All incoming calls on LINE 4 will ring DEV 4 |

Product Support...(715) 386-8666

Fax Back Line...(715) 386-4345

Due to the dynamic nature of the product design, the information contained in this document is subject to change without notice. Viking Electronics, its affiliates and/or subsidiaries assume no responsibility for errors and/or omissions contained in this information. Revisions of this document or new editions of it may be issued to incorporate such changes.