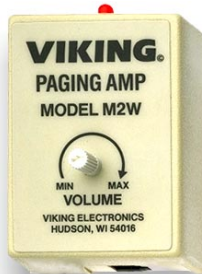


Telecommunication Peripheral Products
Technical Practice

M2W
Key Phone
Paging Amplifier
June 2, 1999

Amplify Key Phone Ringing and Paging



The **M2W** is designed to amplify the paging announcements and ringing tones of key system telephone speakers in noisy areas.

The **M2W** can also be used to boost the paging capacity of other paging amplifiers.

The **M2W** comes complete with a **25AE** 8 ohm paging horn, an amplifier and a plug-in transformer.

<http://www.VikingElectronics.com>

[E-Mail...Sales@VikingElectronics.com](mailto:Sales@VikingElectronics.com)

Features

- Adjustable volume control
- Powers up to (3) 8 ohm speakers
- Easy modular connections
- Power supply included
- Weather resistant **25AE** paging horn, included
- Optional additional paging horns or ceiling speakers (**Fax Back Document 498**)

Applications

- Amplify key phone paging and ringing
- Add speakers to fully loaded paging systems

Sales...(715) 386 - 8861

Made in the U.S.A.

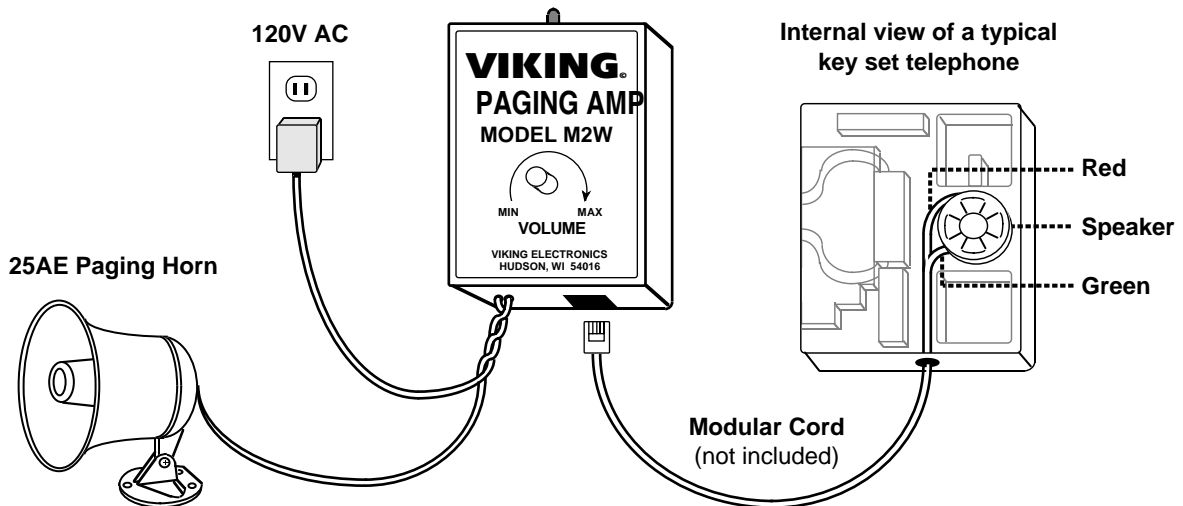
Specifications

Power: 120V AC/13.8V AC 1.25A UL listed adapter provided
Dimensions: **M2W** - 53mm x 74mm x 25mm (2.1" x 2.9" x 1"),
25AE - 127mm (5") diameter
Shipping Weight: 1.13 kg (2.5 lbs.)
Environmental: 0°C to 32°C (32°F to 90°F) with 5% to 95% non-condensing humidity
Speaker: (1) **25AE** 8 ohm 5 watt paging horn included
Amplifier: 2 watts peak
Connections: 2-wire modular jack

Installation

A. Amplifying Key Phones

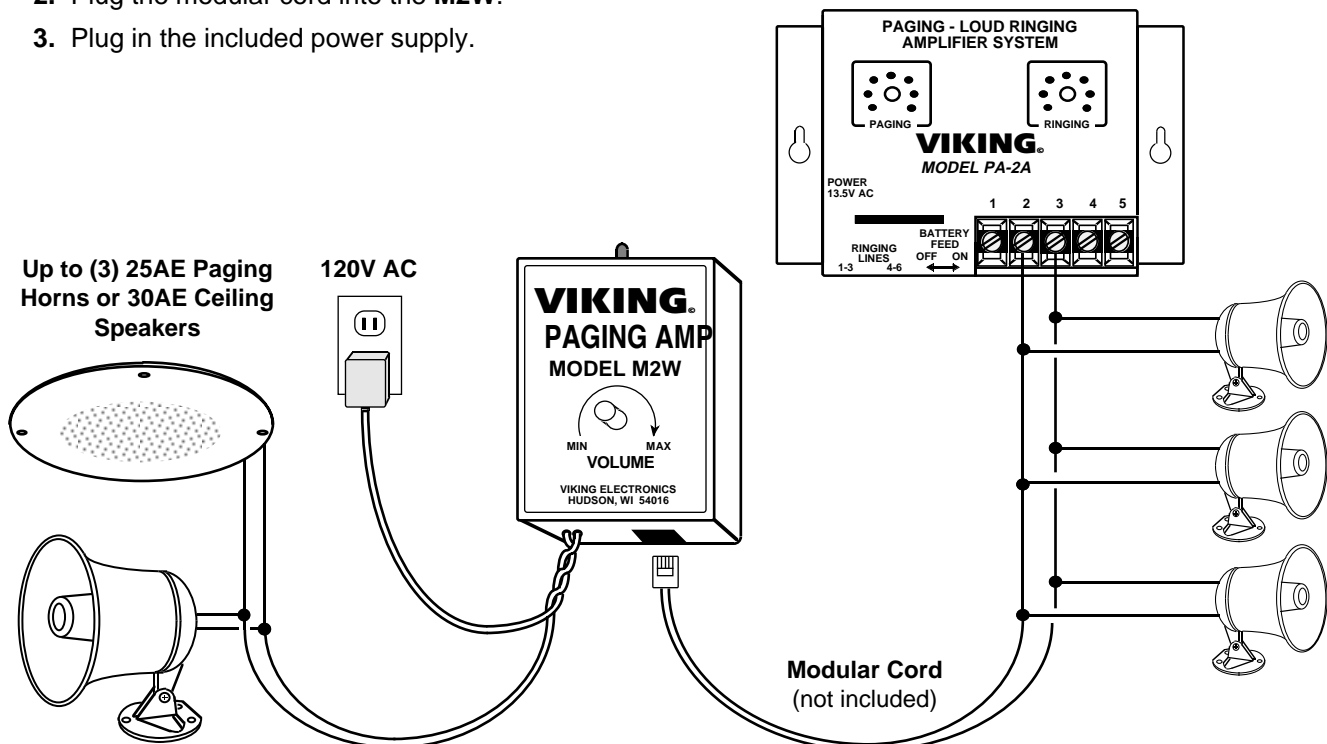
1. Connect the Green and Red wires of a standard RJ11 modular cord to the key set speaker leads.
2. Plug the modular cord into the **M2W**.
3. Plug-in the included power supply.



B. Adding Capacity to Existing Paging Systems

The **M2W** may be used to increase capacity of existing paging systems such as the **PA-2A**. Each M2W can power an additional (3) 8 ohm speakers.

1. Connect the green and red wires of a standard RJ11 modular cord to the output of the paging amplifier.
2. Plug the modular cord into the **M2W**.
3. Plug in the included power supply.



Product Support Line...(715) 386-8666

Fax Back Line...(715) 386-4345

Due to the dynamic nature of the product design, the information contained in this document is subject to change without notice. Viking Electronics, its affiliates and/or subsidiaries assume no responsibility for errors and/or omissions contained in this information. Revisions of this document or new editions of it may be issued to incorporate such changes.