

## Boost Talk Battery and Loop Current to Line Powered Telecom Devices



The PS-2R will boost talk battery and loop current on single analog line extensions behind PABX's and electronic key systems. This is helpful for powering line powered devices, such as dialers and emergency phones, on low loop current extensions.

**Sales...(715) 386 - 8861**

**Made in the U.S.A.**

<http://www.VikingElectronics.com>

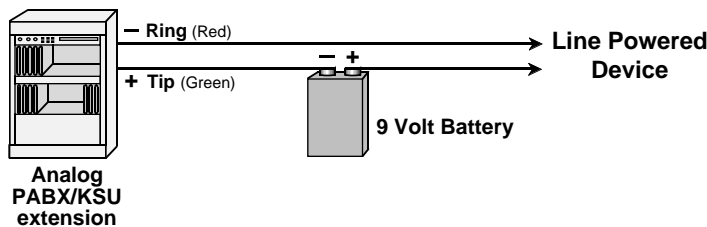
**E-mail...Sales@VikingElectronics.com**

### Features

- Regulated 9V DC output
- Boosts talk battery and loop current
- UL listed

### Installation

**Important:** It is recommended that the test, shown in the diagram below, be performed to see if the PS-2R will correct the problem with the line powered device.



If this test corrects the problem, purchase and install the PS-2R in series on one side of a single line extension as shown in the diagram to the right.

**Product Support Line...(715) 386-8666**

### Applications

- Run line powered devices such as handsfree phones, Hot-Line dialers, digital announcers, etc.
- Increase maximum loop length on analog PABX/KSU stations

### Specifications

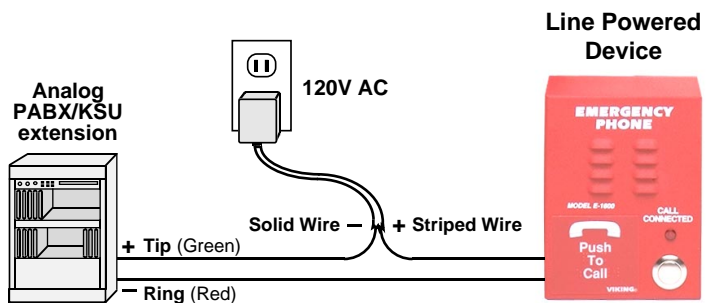
**Power:** 120V AC/9V DC 800 ma power supply

**Dimensions:** 572mm x 572mm x 699mm (2.25" x 2.25" x 2.75")

**Shipping Weight:** .45 Kg (1 lb)

**Environmental:** 0°C to 32°C (32°F to 90°F) with 5% to 95% non-condensing humidity

**Connections:** (1) pair of wires



**Fax Back Line...(715) 386-4345**

Due to the dynamic nature of the product design, the information contained in this document is subject to change without notice. Viking Electronics, its affiliates and/or subsidiaries assume no responsibility for errors and/or omissions contained in this information. Revisions of this document or new editions of it may be issued to incorporate such changes.