



# TECHNICAL Practice

**TELECOM SOLUTIONS FOR THE 21ST CENTURY**

<p><b>W-1000</b> <b>W-2000A</b> Handsfree Doorboxes September 17, 2002</p>
--

## Answer Your Door or Gate From Any Phone in Your Home or Office



W-1000

Now you can answer your door or gate from the safety of your telephone!

The **W-1000** (flush mount) and **W-2000A** (surface mount) doorboxes are designed to be installed on the unused telephone line input of nearly any phone system. One or two doorboxes can also share an existing residential phone line when used in combination with a **C-1000A** doorbox controller.

When the "Call" button is pressed, the doorbox generates a standard ring cadence for an adjustable number of rings. To converse with the visitor, the inside party simply answers the call from the phone of their choice.



W-2000A

Phone...715.386.8861

### Features

- **W-1000:** Vandal resistant, black powder painted, aluminum faceplate with heavy duty call button, mounting gasket, flush mount with included rough-in box or surface mount using an optional **VE-5x5** backbox
- **W-2000A:** Light grey colored, impact resistant, UV stable, surface mount plastic chassis
- 24 volt talk battery
- 20 Hz ring generator (3.0 REN max)
- Handsfree VOX operation
- Adjustable maximum number of rings (1 to approximately 7)
- Microphone volume adjustment
- Compact 45° terminal strip for easy wiring

Need More Information on VE-5x5? Call (715) 386-4345 and select 424.

### Applications

- Commercial, industrial and residential door security
- Door or gate communication
- Use with the **C-1000A** controller for single line residential systems or when the operation of door strikes or gate openers is necessary

[info@vikingelectronics.com](mailto:info@vikingelectronics.com)

### Specifications

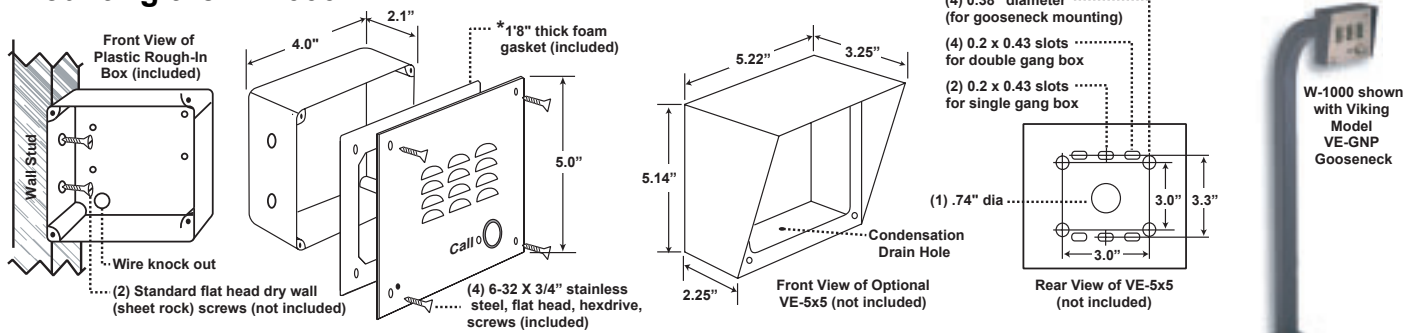
**Power:** 120V AC/13.8V AC 1.25A UL listed adapter provided  
**Dimensions:** **W-1000** - Overall - 127 x 127 x 57 mm (5.0 x 5.0 x 2.25"), Plastic Electrical Box - 102 x 102 x 57mm (4 x 4 x 2.25"), **W-2000A** - 140 x 115 x 38mm (5.5" x 4.5" x 1.5").  
**Shipping Weight:** **W-1000** - 1.36 kg (3 lbs), **W-2000A** - .75 kg (1.5 lbs)  
**Connections:** (4) position screw terminal strip  
**Ringer Output:** 3.0 REN, 20Hz  
**Ring Cadence:** 1 second ON, 3.5 seconds OFF  
**Maximum Loop Length:** 1.9 Km (6300 ft) - 24 AWG twisted pair  
**Maximum Power Run:** 45.7 m (150 ft) - 24 AWG twisted pair

<http://www.vikingelectronics.com>

# Installation

**Important:** Do NOT install a W-1000 or a W-2000A on a telephone line without a C-1000A (Fax Back Document 155).

## A. Mounting the W-1000



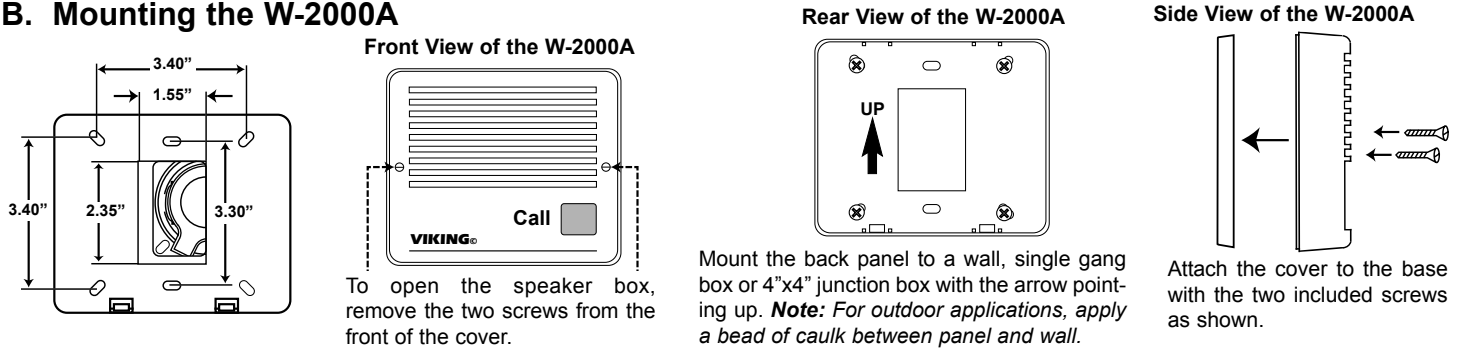
**Caution:** When warm air comes in contact with cold surfaces, such as outside walls and conduits, it causes condensation. To prevent condensation and moisture from accumulating inside the W-1000 always bring conduit into the bottom of the unit. Otherwise drill a 1/4" diameter hole in the bottom of the black plastic rough-in box for drainage.

**\*Note:** Peel off paper liner and adhere gasket to the back of the faceplate, centering it over the four corner mounting holes.

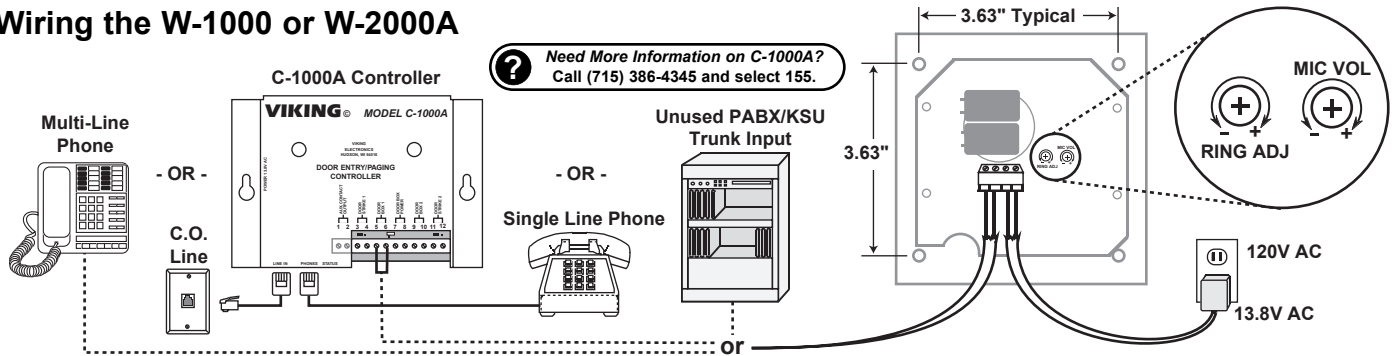
**Note:** The W-1000 will NOT mount to a standard double gang box. The plastic rough-in box (part # 259576) may be purchased separately in advance. Go to [www.vikingelectronics.com](http://www.vikingelectronics.com) and click on "spare parts".

**?** Need More Information on VE-5x5 or VE-GNP? Call (715) 386-4345 and select 424.

## B. Mounting the W-2000A



## C. Wiring the W-1000 or W-2000A



**?** Need More Information on C-1000A? Call (715) 386-4345 and select 155.

**?** Need More Information on W-3000? Call (715) 386-4345 and select 180.

# Programming

## A. Adjusting the Maximum Number of Rings

The W-1000/2000A can be adjusted to output a ring signal from 1 to approximately 7 rings. Turn the "RING ADJ" potentiometer clockwise to increase the maximum number of rings as shown above.

**Note:** Test the unit after each potentiometer adjustment to determine if the desired number of rings was achieved.

## B. Adjusting the Microphone Volume

In certain noisy locations (background traffic, machinery or wind), the microphone volume may need to be decreased. A symptom of this is one-way talk path, in which the distant party cannot be heard over the speaker. A "MIC VOL" adjustment is provided on the W-1000/2000A for increasing or decreasing the microphone volume. **Notes:** If the microphone volume is set too high or too low, one-way talk path may occur. For extremely noisy environments, use the W-3000 in the "PUSH to TALK" mode. (Fax Back Document 180).

Product Support Line...715.386.8666

Fax Back Line...715.386.4345

Due to the dynamic nature of the product design, the information contained in this document is subject to change without notice. Viking Electronics, and its affiliates and/or subsidiaries assume no responsibility for errors and omissions contained in this information. Revisions of this document or new editions of it may be issued to incorporate such changes.