

Ideal for 4 wire designs that require a choice of 8 selectable alerting sound for various ambient and wall conditions and two selectable sound outputs.

Available features and options:

- Color: Red, White
- Mounting: Wall
- Multi-Candela
- Square
- Replaceable Grills
- Standard Backboxes
- Strobe Synchronization
- Approvals: UL, ULC, FM, CSFM, MEA, BFP

Wall Mount Multitone Strobes



15/30/75/110cd Order Code
 AMT-241575W-NW White 3047

Mounting Options: E,F,L,M,O,P

UL Max. Current	1575cd
	24 VDC
	0.090

Wall or Ceiling Mount Multitones



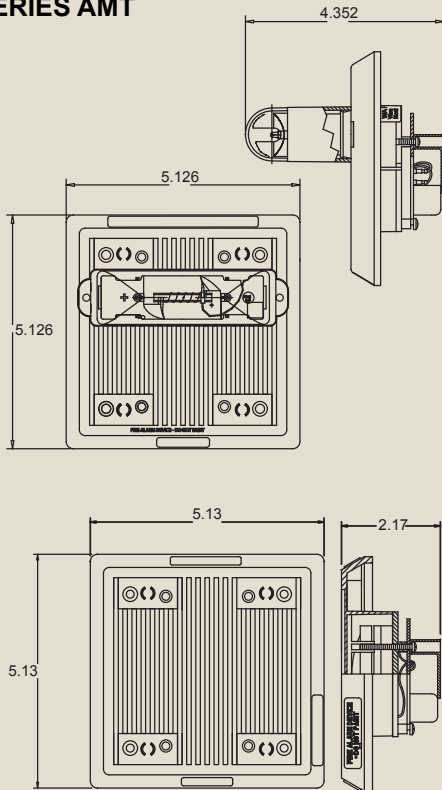
Order Code
 AMT-12/24-W White 5893

Mounting Options: E,F,L,M,O,P

Audible Ratings

Current Ratings for AMT Multitone Audible Signals		AMT dBA Ratings				AMT w/ Strobe			
Tone	Tone Description	Rated Average Current (AMPS)		Typical Anechoic dBA @ 10 Feet at Nominal		Typical Anechoic dBA @ 10 Feet at Nominal			
		24 VDC	12 VDC	Input Voltage	Input Voltage	HI	STD	HI	STD
		HI dBA	STD dBA	HI dBA	STD dBA	HI	STD	HI	STD
Horn	Broadcast Horn (Continuous)	0.108	0.043	0.210	0.058	98	92	97	91
Bell	1560 Hz Modulated (0.07 Sec. ON/Repeat)	0.057	0.026	0.117	0.031	91	86	89	84
March Time Horn	Horn (0.25 Sec. ON/0.25 Sec. OFF/Repeat)	0.108	0.035	0.210	0.059	98	91	97	91
Code-3 Horn	Horn (ANSI S3.41 Temporal Pattern)	0.108	0.043	0.210	0.057	98	92	97	91
Code-3 Tone	500Hz (ANSI S3.41 Temporal Pattern)	0.060	0.030	0.168	0.052	94	89	93	88
Slow Whoop	500-1200Hz Sweep (4.0 Sec. ON/0.05 Sec. OFF/Repeat)	0.112	0.044	0.182	0.056	98	93	97	92
Siren	600-1200Hz Sweep (1.0 Sec. ON/Repeat)	0.102	0.038	0.177	0.055	97	92	96	91
Hi/Lo	1000-800Hz (0.25 Sec. ON/Alternate)	0.064	0.030	0.131	0.028	92	87	91	86
Vibrating Chime	700Hz (1.0 Sec Delay/Repeat)	0.041	0.020	0.090	0.028	88	82	87	81

SERIES AMT



Please reference the back of this catalog for more information on mounting options.