


Thank you for using our products.


**INSTALLATION INSTRUCTIONS
INDOOR/OUTDOOR STROBE APPLIANCE ENCLOSURE
EN4**


Use this product according to this instruction manual. Please keep this instruction manual for future reference.


GENERAL:

Indoor/Outdoor Strobe Appliance Enclosure, Model EN4, is designed to be used with Wheelock's Series RSS Strobe Appliance. The EN4 enclosure, rated as a NEMA 4 enclosure, provides protection from windblown dust, rain and snow. The EN4 enclosure is UL Listed for use, both indoors or outdoors, in areas with a temperature range from 0° C (32° F) to 49° C (120° F). See Table 1 below for UL listed candela (cd) ratings of the RSS Strobe when using the EN4 Enclosure.

NOTE: All **CAUTIONS** and **WARNINGS** are identified by the symbol . All warnings are printed in bold capital letters.

 WARNING: PLEASE READ THESE INSTRUCTIONS CAREFULLY BEFORE USING THIS PRODUCT. FAILURE TO COMPLY WITH ANY OF THE FOLLOWING INSTRUCTIONS, CAUTIONS AND WARNINGS COULD RESULT IN IMPROPER APPLICATION, INSTALLATION AND/OR OPERATION OF THESE PRODUCTS IN AN EMERGENCY SITUATION, WHICH COULD RESULT IN PROPERTY DAMAGE AND SERIOUS INJURY OR DEATH TO YOU AND/OR OTHERS.

 WARNING: DO NOT USE THE EN4 ENCLOSURE IN INSTALLATIONS WHERE TEMPERATURES MAY FALL OUTSIDE OF THE UL LISTED TEMPERATURE RANGE TEMPERATURE [0° C (32° F) TO 49° C (120° F)] AS DAMAGE TO, OR FAILURE OF, NOTIFICATION APPLIANCE MAY RESULT.

 WARNING: DO NOT SET THE MULTI-CANDELA STROBE APPLIANCE ON THE 15cd SELECTION. THE REDUCED LIGHT OUTPUT RATING FOR THE 15cd SELECTION WILL NOT MEET THE MINIMUM REQUIREMENTS OF NFPA 72. USE SETTINGS OF 30cd OR HIGHER.

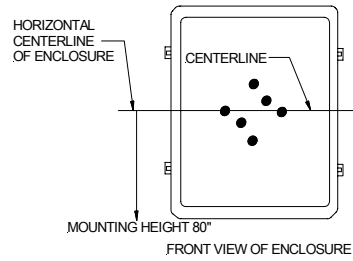
SPECIFICATIONS:

Table 1: UL Candela Ratings for Series RSS Strobe when using EN4 Enclosure.

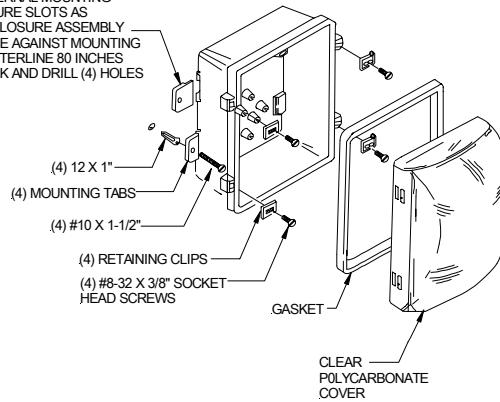
Multi Candela Series (Selectable)		Audible/Strobe Combinations (Non-Selectable)	Strobe Candela (cd) Using EN4
Model No's	Candela Setting	Model No. *	
RSS-24MCW	30cd, 75cd, 110cd	RSS-2430W	21.0
		RSS-2475W	52.5
		RSS-24110W	77.0
RSS-24MCC	30cd, 75cd, 95cd	RSS-2430C	21.0
		RSS-2475C	52.5
		RSS-24100C	70.0

Refer to Series RSS (P83500 and P83501), RSS Multi-Candela Wall (P83911) and RSS Multi-Candela Ceiling (P84394) Installation Instructions for additional information.

MOUNTING INFORMATION:

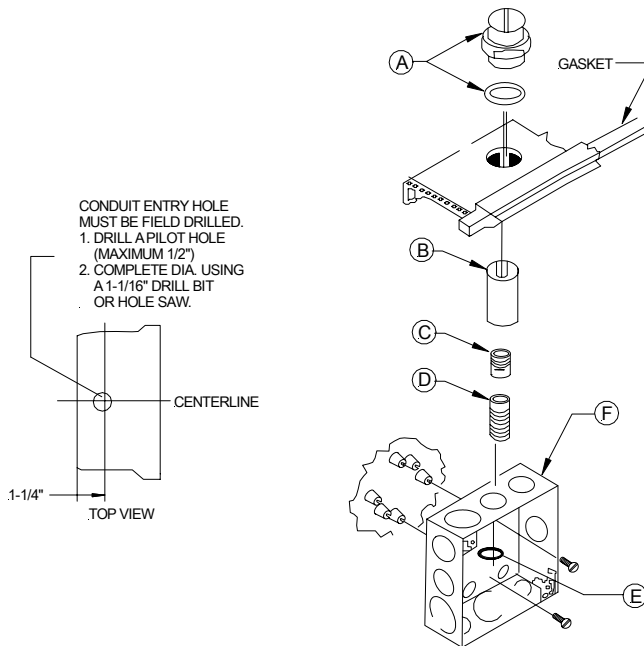


INSERT THE (4) EXTERNAL MOUNTING TABS INTO ENCLOSURE SLOTS AS SHOWN. USING ENCLOSURE ASSEMBLY AS TEMPLATE, PLACE AGAINST MOUNTING SURFACE WITH CENTERLINE 80 INCHES ABOVE FLOOR, MARK AND DRILL (4) HOLES 1/4" DIA. X 1" DEEP.



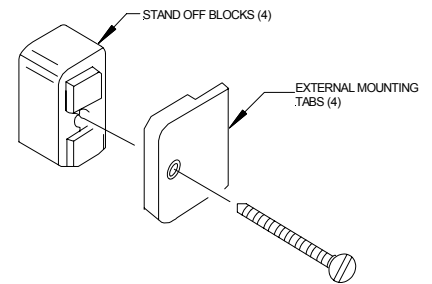
NOTE: AFTER ALL INSTALLATION PROCEDURES HAVE BEEN COMPLETED, INSTALL GASKET IN ENCLOSURE GROOVE NOW PLACE COVER IN GROOVE AND POSITION THE FOUR (4) CLIPS IN THE SLOT CLOSEST TO EDGE OF COVER.

4 IN SQUARE, FLUSH BACKBOX MOUNTING INSTRUCTIONS



1. Figure A is typical of a 3/4 in. Rain tight conduit hub with neoprene o-ring threaded for rigid conduit and imc. (O-Z/GEDNEY #CHM-75 or equivalent).
2. Figure B is typical of a 3/4 in. female adapter (Carlton #E942 or equivalent).
3. Figure C is typical of a 3/4 in. -1/2 in. reduce bushing (Appleton #RB series or equivalent).
4. Figure D is typical of a galvanized 1/2 in. conduit nipple.
5. Figure E is typical of a 1/2 in. conduit lock nut.
6. Figure F is typical of a 4 in. X 2-1/8 in. Deep Square Backbox 9RACO190 or equivalent).

STAND-OFF INSTALLATION INSTRUCTIONS FOR AREAS WITH FREQUENT WASHDOWNS



CLEANING INSTRUCTIONS FOR ENCLOSURE AND COVER

1. Rinse with water to remove abrasive dust and dirt.
2. Wash with soap or mild detergent, using a soft cloth (do not scrub).
3. Rinse once more, than dry with a soft cloth or chamois.
4. Rinse with water to remove abrasive dust and dirt.
5. Wash with soap or mild detergent, using a soft cloth (do not scrub).
6. Rinse once more, than dry with a soft cloth or chamois.

To remove grease or wet paint, rub gently with a cloth wetted thoroughly with naphtha then wash and rinse. DO NOT USE RAZOR BLADES.

⚠ WARNING: FAILURE TO FOLLOW THE INSTALLATION INSTRUCTIONS OR TO SUBSTITUTE ELECTRICAL RIGID CONDUIT FITTINGS THAT DO NOT COMPLY WITH CURRENT PRACTICES ADAPTED BY NEC, NFPA AND ANSI CODES MAY RESULT IN LOSS OF PROTECTION FROM WATER OR DUST.

⚠ WARNING: IN ALL AREAS WHERE FREQUENT WASH DOWNS OCCUR, STAND OFF BLOCK MUST BE INSTALLED.

ANY MATERIAL EXTRAPOLATED FROM THIS DOCUMENT OR FROM WHEELOCK MANUALS OR OTHER DOCUMENTS DESCRIBING THE PRODUCT FOR USE IN PROMOTIONAL OR ADVERTISING CLAIMS, OR FOR ANY OTHER USE, INCLUDING DESCRIPTION OF THE PRODUCT'S APPLICATION, OPERATION, INSTALLATION AND TESTING IS USED AT THE SOLE RISK OF THE USER AND WHEELOCK WILL NOT HAVE ANY LIABILITY FOR SUCH USE.

Limited Warranty

Wheelock products must be used within their published specifications and must be PROPERLY specified, applied, installed, operated, maintained and operationally tested in accordance with these instructions at the time of installation and at least twice a year or more often and in accordance with local, state and federal codes, regulations and laws. Specification, application, installation, operation, maintenance and testing must be performed by qualified personnel for proper operation in accordance with all of the latest National Fire Protection Association (NFPA), Underwriters' Laboratories (UL), Underwriters' Laboratories of Canada (ULC), National Electrical Code (NEC), Occupational Safety and Health Administration (OSHA), local, state, county, province, district, federal and other applicable building and fire standards, guidelines, regulations, laws and codes including, but not limited to, all appendices and amendments and the requirements of the local authority having jurisdiction (AHJ). Wheelock products when properly specified, applied, installed, operated, maintained and operationally tested as provided above are warranted against mechanical and electrical defects for a period of three years from date of manufacture (as determined by date code). Correction of defects by repair or replacement shall be at Wheelock's sole discretion and shall constitute fulfillment of all obligations under this warranty. THE FOREGOING LIMITED WARRANTY SHALL IMMEDIATELY TERMINATE IN THE EVENT ANY PART NOT FURNISHED BY WHEELOCK IS INSTALLED IN THE PRODUCT. THE FOREGOING LIMITED WARRANTY SPECIFICALLY EXCLUDES ANY SOFTWARE REQUIRED FOR THE OPERATION OF OR INCLUDED IN A PRODUCT. WHEELOCK MAKES NO REPRESENTATION OR WARRANTY OF ANY OTHER KIND, EXPRESS, IMPLIED OR STATUTORY WHETHER AS TO MERCHANTABILITY, FITNESS FOR A PARTICULAR PURPOSE OR ANY OTHER MATTER.

USERS ARE SOLELY RESPONSIBLE FOR DETERMINING WHETHER A PRODUCT IS SUITABLE FOR THE USER'S PURPOSES, OR WHETHER IT WILL ACHIEVE THE USER'S INTENDED RESULTS. THERE IS NO WARRANTY AGAINST DAMAGE RESULTING FROM MISAPPLICATION, IMPROPER SPECIFICATION, ABUSE, ACCIDENT OR OTHER OPERATING CONDITIONS BEYOND WHEELOCK'S CONTROL.

SOME WHEELOCK PRODUCTS CONTAIN SOFTWARE. WITH RESPECT TO THOSE PRODUCTS, WHEELOCK DOES NOT WARRANT THAT THE OPERATION OF THE SOFTWARE WILL BE UNINTERRUPTED OR ERROR-FREE OR THAT THE SOFTWARE WILL MEET ANY OTHER STANDARD OF PERFORMANCE, OR THAT THE FUNCTIONS OR PERFORMANCE OF THE SOFTWARE WILL MEET THE USER'S REQUIREMENTS. WHEELOCK SHALL NOT BE LIABLE FOR ANY DELAYS, BREAKDOWNS, INTERRUPTIONS, LOSS, DESTRUCTION, ALTERATION, OR OTHER PROBLEMS IN THE USE OF A PRODUCT ARISING OUT OF OR CAUSED BY THE SOFTWARE.

THE LIABILITY OF WHEELOCK ARISING OUT OF THE SUPPLYING OF A PRODUCT, OR ITS USE, WHETHER ON WARRANTIES, NEGLIGENCE, OR OTHERWISE, SHALL NOT IN ANY CASE EXCEED THE COST OF CORRECTING DEFECTS AS STATED IN THE LIMITED WARRANTY AND UPON EXPIRATION OF THE WARRANTY PERIOD ALL SUCH LIABILITY SHALL TERMINATE. WHEELOCK IS NOT LIABLE FOR LABOR COSTS INCURRED IN REMOVAL, REINSTALLATION OR REPAIR OF THE PRODUCT BY ANYONE OTHER THAN WHEELOCK OR FOR DAMAGE OF ANY TYPE WHATSOEVER, INCLUDING BUT NOT LIMITED TO, LOSS OF PROFIT OR INCIDENTAL OR CONSEQUENTIAL DAMAGES. THE FOREGOING SHALL CONSTITUTE THE SOLE REMEDY OF THE PURCHASER AND THE EXCLUSIVE LIABILITY OF WHEELOCK.

IN NO CASE WILL WHEELOCK'S LIABILITY EXCEED THE PURCHASE PRICE PAID FOR A PRODUCT.

Limitation of Liability

WHEELOCK'S LIABILITY ON ANY CLAIM OF ANY KIND, INCLUDING NEGLIGENCE AND BREACH OF WARRANTY, FOR ANY LOSS OR DAMAGE RESULTING FROM, ARISING OUT OF, OR CONNECTED WITH THIS CONTRACT, OR FROM THE MANUFACTURE, SALE, DELIVERY, RESALE, REPAIR OR USE OF ANY PRODUCT COVERED BY THIS ORDER SHALL BE LIMITED TO THE PRICE APPLICABLE TO THE PRODUCT OR PART THEREOF WHICH GIVES RISE TO THE CLAIM. WHEELOCK'S LIABILITY ON ANY CLAIM OF ANY KIND SHALL CEASE IMMEDIATELY UPON THE INSTALLATION IN THE PRODUCT OF ANY PART NOT FURNISHED BY WHEELOCK. IN NO EVENT SHALL WHEELOCK BE LIABLE FOR ANY CLAIM OF ANY KIND UNLESS IT IS PROVEN THAT OUR PRODUCT WAS A DIRECT CAUSE OF SUCH CLAIM. FURTHER, IN NO EVENT, INCLUDING IN THE CASE OF A CLAIM OF NEGLIGENCE, SHALL WHEELOCK BE LIABLE FOR INCIDENTAL OR CONSEQUENTIAL DAMAGES. SOME STATES DO NOT ALLOW THE EXCLUSION OR LIMITATION OF INCIDENTAL OR CONSEQUENTIAL DAMAGES, SO THE PRECEDING LIMITATION MAY NOT APPLY TO ALL PURCHASERS.