



273 Branchport Avenue  
 Long Branch, NJ 07740  
 (800) 631-2148 – U.S.A.  
 ((800) 397-5777 - Canada  
 www.wheelockinc.com

*Thank you for using our products.*  
**INSTALLATION INSTRUCTIONS**  
**115VAC MULTITONE APPLIANCES**  
 MT4-115

*Use this product according to this instruction manual. Please keep this instruction manual for future reference.*

**GENERAL:**

115VAC Multitone Appliances are UL Listed for Fire Protective Service and for General Signaling Service. They are listed for both indoor and outdoor use with the backboxes specified in these instructions (see Mounting Options). 115VAC Multitone Appliances can be field set to produce any one of eight commonly used alarm tones. Sound output can be field set to provide either HIGH (HI) dBA or STANDARD (STD) dBA sound output level. All inputs have DC blocking capacitor for compatibility with supervision when used with a Fire Alarm Control Panel (FACP).

**NOTE:** All **CAUTIONS** and **WARNINGS** are identified by the symbol . All warnings are printed in bold capital letters.

**WARNING: PLEASE READ THESE INSTRUCTIONS CAREFULLY BEFORE USING THIS PRODUCT. THE 115VAC MULTITONE APPLIANCE MUST BE FIELD SET TO THE DESIRED dBA SOUND OUTPUT LEVEL AND ALARM TONE BEFORE THEY ARE INSTALLED. THIS IS DONE BY PROPERLY ADJUSTING A FOUR POSITION SWITCH IN ACCORDANCE WITH THESE INSTRUCTIONS. INCORRECT SETTINGS WILL RESULT IN IMPROPER PERFORMANCE AND COULD RESULT IN PROPERTY DAMAGE AND SERIOUS INJURY OR DEATH TO YOU AND/OR OTHERS.**

**SPECIFICATIONS:**

**Table 1: UL Listed Models and Ratings**

Model	Regulated Voltage (VRMS)	Voltage Range (VRMS)	Mounting Options
MT4-115	120	96-132	A, B

**Table 1A: dBA and Current Ratings for Multitone Appliances**

Tone	Maximum RMS Current (AMPS)		dBA Reverberant at 10 Feet Per UL 464	
	HI	STD	HI	STD
Horn	0.050	0.042	88	82
Bell	0.041	0.039	82	75
March Time Horn	0.050	0.040	85	79
Code-3 Horn	0.050	0.042	85	75
Code-3 Tone	0.042	0.040	79	75
Slow Whoop	0.050	0.042	88	82
Siren	0.045	0.041	85	82
HI/LO	0.042	0.039	82	79

**WARNING: FOR UL APPLICATIONS THESE APPLIANCES WERE TESTED TO THE OPERATING VOLTAGE LIMITS OF 96-132 VOLTS. DO NOT APPLY 80% AND 110% OF THESE VOLTAGE VALUES FOR SYSTEM OPERATION.**

All models are UL Listed for indoor/outdoor use with a temperature range of -31°F to +150°F (-35°C to +66°C) and maximum humidity of 95% RH.

Copyright 2004 Wheelock, Inc. All rights reserved.

**⚠ WARNING: MAKE SURE THAT THE TOTAL RMS CURRENT REQUIRED BY ALL APPLIANCES THAT ARE CONNECTED TO THE SYSTEM'S PRIMARY AND SECONDARY POWER SOURCES DO NOT EXCEED THE POWER SOURCES' RATED CAPACITY OR THE CURRENT RATINGS OF ANY FUSES ON THE CIRCUITS TO WHICH THESE APPLIANCES ARE WIRED. OVERLOADING POWER SOURCES OR EXCEEDING FUSE RATINGS COULD RESULT IN LOSS OF POWER AND FAILURE TO ALERT OCCUPANTS DURING AN EMERGENCY, WHICH COULD RESULT IN PROPERTY DAMAGE AND SERIOUS INJURY OR DEATH TO YOU AND/OR OTHERS.**

When calculating the total currents: Use Table 1 to determine the highest value of "RMS Current" for an individual audible (across the expected operating voltage range of the audible), then multiply these values by the total number of audibles; be sure to add the currents for any other appliances, including audible signaling appliances, powered by the same source and include any required safety factors.

**⚠ WARNING: MAKE SURE THAT ALL FUSES USED ON SIGNALING CIRCUITS ARE RATED TO HANDLE THE MAXIMUM INRUSH OR PEAK CURRENT FROM ALL APPLIANCES ON THOSE CIRCUITS. FAILURE TO DO THIS MAY RESULT IN LOSS OF POWER TO THE SIGNALING CIRCUIT AND THE FAILURE OF ALL APPLIANCES ON THAT CIRCUIT TO OPERATE, WHICH COULD RESULT IN PROPERTY DAMAGE AND SERIOUS INJURY OR DEATH TO YOU AND/OR OTHERS.**

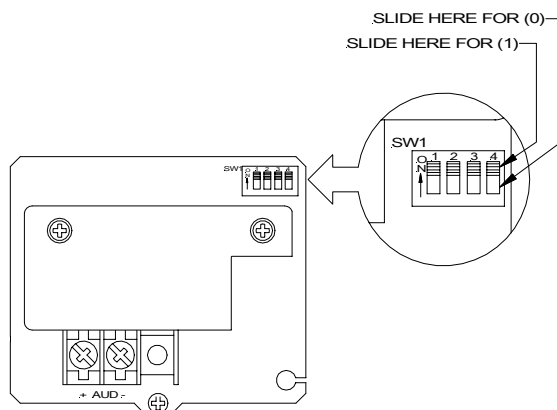
The Multitone audible appliances produce a brief inrush current that lasts for just 50 microseconds but can reach a peak value of 5.0 Amps.

**⚠ WARNING: IF 115VAC MULTITONE APPLIANCES ARE OPERATED WITHIN 15 INCHES OF A PERSON'S EAR, THEY CAN PRODUCE A SOUND PRESSURE LEVEL THAT EXCEEDS THE MAXIMUM 120 dBA PERMITTED BY ADA AND OSHA RULES. EXPOSURE TO SUCH SOUND LEVELS CAN RESULT IN DAMAGE TO A PERSON'S HEARING.**

**SETTINGS:**

The Switch (SW1) of the Multitone Appliance, shown in Figure 1, is used to set the desired dBA sound output level and alarm tone. The factory settings are shown below. Read these instructions carefully before changing any of these factory settings.

**Figure 1:**  
**PC Board Layout Showing Location of Switch (SW1)**

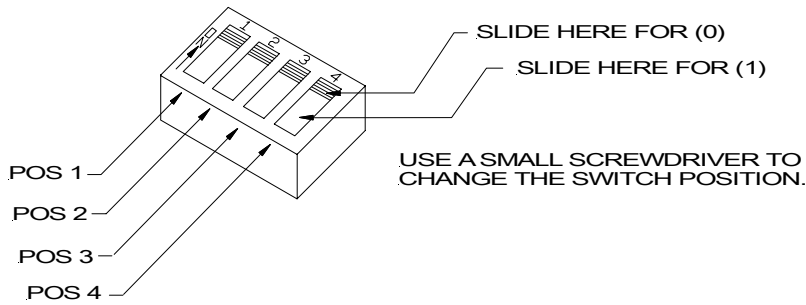


The factory settings are:

- HIGH dBA      SW1 POS 1 set on 1
- HORN TONE    SW1 POS 2, 3, 4 set on 1, 1, 1

**Figure 2:**

**Switch (SW1) Settings**



**STEP 1:**

Set desired dBA sound output level as follows (refer to Figure 2 and Table 2).

Decibel Level (dBA)	SW1 Switch Settings (POS 1)
High dBA	1 (Factory Setting)
Standard dBA	0

**STEP 2:**

Set desired alarm tone as follows (refer to Figure 2 and Table 3).

115VAC Multitone Appliances are field set for any one of eight alarm tones by setting a four-position switch (SW1) as shown in Figure 2 and Table 3. Use SW1 POS 2, 3, 4 to select the desired alarm tone (refer to Table 3 below).

Tone	Pattern Description	SW1 Switch Settings		
		POS 2	POS 3	POS 4
Horn	Broadband Horn (Continuous) (Factory Setting)	1	1	1
Bell	1560 Hz Modulated (0.07 Sec. ON/Repeat)	1	0	1
March Time Horn	Horn (0.25 Sec. ON/0.25 Sec. OFF/Repeat)	0	0	1
Code-3 Horn	Horn (ANSI S3.41 Temporal Pattern)	1	1	0
Code-3 Tone	500 Hz (ANSI S3.41 Temporal Pattern)	0	1	1
Slow Whoop	500-1200 Hz Sweep (4.0 Sec. ON/0.5 Sec. OFF/Repeat)	0	1	0
Siren	600-1200 Hz Sweep (1.0 Sec.ON/Repeat)	1	0	0
HI/LO	1000/800 Hz (0.25 Sec. ON/Alternate)	0	0	0

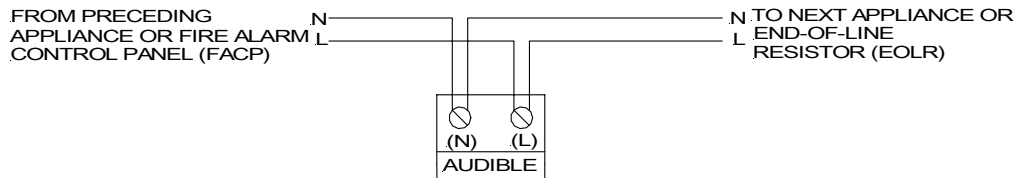
**NOTE:** The Code-3 Horn and Code-3 Tone (set on HIGH dBA) incorporate the temporal pattern specified by ANSI/NFPA for standard emergency evacuation signaling. They should be used only for fire evacuation signaling and not for any other purpose.

The Horn and Bell Tones can be used on coded systems with a minimum On-Time of 1/4 second. All other tones are recommended for use only on continuous (non-coded) systems.

**WIRING INFORMATION:**

**⚠ WARNING: SHUT OFF ALL POWER BEFORE STARTING THE INSTALLATION. ELECTRIC SHOCK CAN CAUSE DEATH OR SERIOUS INJURY.**

**Figure 3:  
Wiring Diagram**

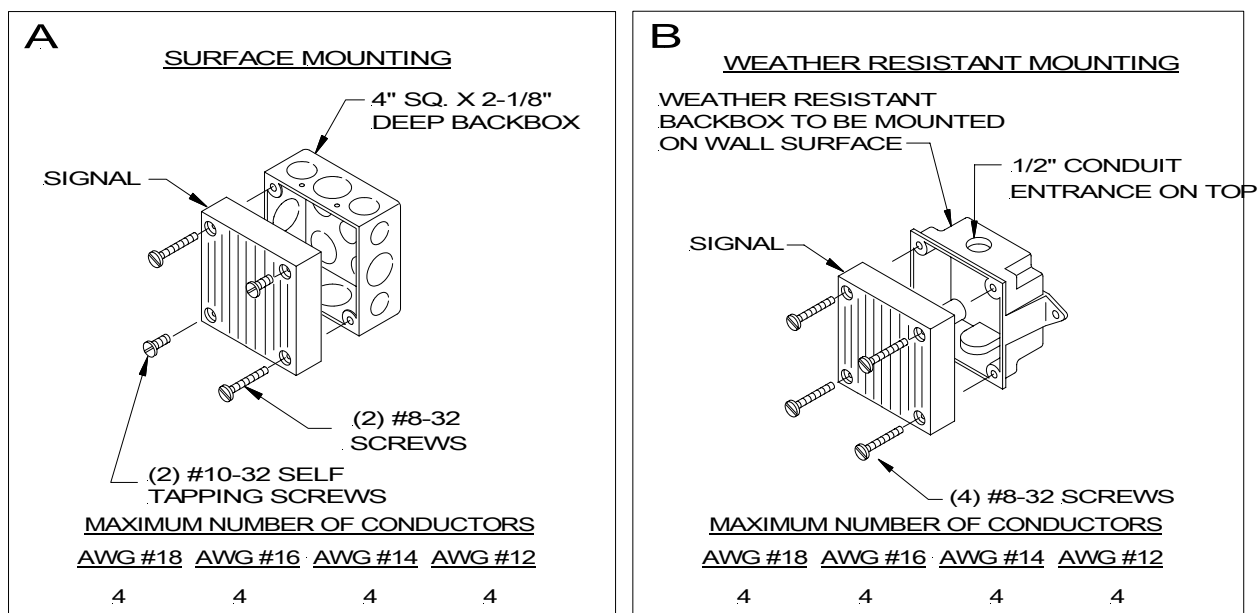


1. Strip leads 3/8 inches and connect to screw terminals. 115VAC Multitone Appliances have in-out wiring terminals that accepts two #12 to #18 American Wire Gauge (AWG) wires at each screw terminal.
2. Break all in-out wire runs on supervised circuits to assure integrity of circuit supervision. The polarity shown in the wiring diagram is for operation of the appliances. The polarity is reversed by the FACP during supervision.

**MOUNTING OPTIONS:**

**⚠ CAUTION:** The following figures show the maximum number of field wires (conductors) that can enter the backbox used with each mounting option. If these limits are exceeded, there may be insufficient space in the backbox to accommodate the field wires and stresses from the wires could damage the product.

Although the limits shown for each mounting option comply with the National Electrical Code (NEC), Wheelock recommends use of the largest backbox option shown and the use of approved stranded field wires, whenever possible, to provide additional wiring room for easy installation and minimum stress on the product from wiring.



## APPLICATION NOTES:

**⚠ CAUTION:** If sheathed multiconductor cable or 3/4" conduit fittings are used, check that installed product has sufficient clearance and wiring room prior to installing backboxes and conduit.

1. For weather resistant installation, use outdoor mounting option. Outdoor backbox must be mounted vertically with "TOP" as marked to allow any moisture or condensation to drain properly through drain holes on bottom of backbox.
2. 115VAC Multitone Appliances can be surface mounted to a standard 4 inch square by 2-1/8 inch deep electrical box (Figure A) or a weather resistant backbox (WBB) (Figure B).
3. Select largest backbox shown in Mounting Options where possible, to provide additional wiring room for easy installation.
4. Conduit entrance to backboxes should be selected to insure sufficient wiring clearance for installed equipment. When extension rings are required, conduit should enter through backbox, not extension ring. Use Steel City #53151/1-1/2" deep or #53171/2-1/8" deep extension rings or equal with same area cut out in back.
5. Use care and proper techniques to position the field wires in the backbox so that they use minimum space and produce minimum stress on the product. This is especially important for stiff, heavy gauge wires with thick insulation or sheathing.
6. Do not pass additional wires (used for other than signaling appliances) through the backbox. Such additional wires could result in insufficient wiring space for the signaling appliance.
7. The Code-3 Horn and Code-3 Tone incorporate the temporal pattern specified by ANSI/NFPA/ISO for standard emergency evacuation signaling. They should be used only for fire evacuation signaling and not for any other purpose.
8. The Horn and Bell Tones can be used on coded systems with a minimum On-Time of 1/4 second. All other tones are recommended for use only on continuous (non-coded) systems.

The Multitone products and these instructions are copyrighted by Wheelock and contain proprietary, confidential and trade secrets of Wheelock. No part of the Multitone products and these instructions may be photocopied, printed or reproduced in any form or modified, adapted, changed or enhanced, or converted to another programming language, or used to create updated, related or derivative works, without the prior written consent of Wheelock. No part of the Multitone shall be decompiled, disassembled or reverse engineered.

**NOTE:** This equipment has been tested and found to comply with the limits for a Class B digital device, pursuant to Part 15 of the FCC Rules. These limits are designed to provide reasonable protection against harmful interference in residential installation. This equipment generates, uses and can radiate radio frequency energy and, if not installed and used in accordance with the instructions, may cause harmful interference to radio communications. However, there is no guarantee that interference will not occur in a particular installation. If this equipment does cause harmful interference to radio or television reception, which can be determined by turning the equipment off and on, the user is encouraged to try to correct the interference by one or more of the following measures: 1) Reorient or relocate the receiving antenna, 2) Increase the separation between the equipment and receiver, 3) Connect the equipment into an outlet on a circuit different from that to which the receiver is connected, and 4) Consult the dealer or an experienced radio/TV technician for help.

**ANY MATERIAL EXTRAPOLATED FROM THIS DOCUMENT OR FROM WHEELOCK MANUALS OR OTHER DOCUMENTS DESCRIBING THE PRODUCT FOR USE IN PROMOTIONAL OR ADVERTISING CLAIMS, OR FOR ANY OTHER USE, INCLUDING DESCRIPTION OF THE PRODUCT'S APPLICATION, OPERATION, INSTALLATION AND TESTING IS USED AT THE SOLE RISK OF THE USER AND WHEELOCK WILL NOT HAVE ANY LIABILITY FOR SUCH USE.**

**IMPORTANT: READ SEPARATE "GENERAL INFORMATION" SHEET FOR INFORMATION ON THE PLACEMENT, LIMITATIONS, INSTALLATION, FINAL CHECKOUT AND PERIODIC TESTING OF NOTIFICATION APPLIANCES.**

## **Limited Warranty**

Wheelock products must be used within their published specifications and must be PROPERLY specified, applied, installed, operated, maintained and operationally tested in accordance with these instructions at the time of installation and at least twice a year or more often and in accordance with local, state and federal codes, regulations and laws. Specification, application, installation, operation, maintenance and testing must be performed by qualified personnel for proper operation in accordance with all of the latest National Fire Protection Association (NFPA), Underwriters' Laboratories (UL), Underwriters' Laboratories of Canada (ULC), National Electrical Code (NEC), Occupational Safety and Health Administration (OSHA), local, state, county, province, district, federal and other applicable building and fire standards, guidelines, regulations, laws and codes including, but not limited to, all appendices and amendments and the requirements of the local authority having jurisdiction (AHJ). Wheelock products when properly specified, applied, installed, operated, maintained and operationally tested as provided above are warranted against mechanical and electrical defects for a period of three years from date of manufacture (as determined by date code). Correction of defects by repair or replacement shall be at Wheelock's sole discretion and shall constitute fulfillment of all obligations under this warranty. THE FOREGOING LIMITED WARRANTY SHALL IMMEDIATELY TERMINATE IN THE EVENT ANY PART NOT FURNISHED BY WHEELOCK IS INSTALLED IN THE PRODUCT. THE FOREGOING LIMITED WARRANTY SPECIFICALLY EXCLUDES ANY SOFTWARE REQUIRED FOR THE OPERATION OF OR INCLUDED IN A PRODUCT. WHEELOCK MAKES NO REPRESENTATION OR WARRANTY OF ANY OTHER KIND, EXPRESS, IMPLIED OR STATUTORY WHETHER AS TO MERCHANTABILITY, FITNESS FOR A PARTICULAR PURPOSE OR ANY OTHER MATTER.

USERS ARE SOLELY RESPONSIBLE FOR DETERMINING WHETHER A PRODUCT IS SUITABLE FOR THE USER'S PURPOSES, OR WHETHER IT WILL ACHIEVE THE USER'S INTENDED RESULTS. THERE IS NO WARRANTY AGAINST DAMAGE RESULTING FROM MISAPPLICATION, IMPROPER SPECIFICATION, ABUSE, ACCIDENT OR OTHER OPERATING CONDITIONS BEYOND WHEELOCK'S CONTROL.

SOME WHEELOCK PRODUCTS CONTAIN SOFTWARE. WITH RESPECT TO THOSE PRODUCTS, WHEELOCK DOES NOT WARRANT THAT THE OPERATION OF THE SOFTWARE WILL BE UNINTERRUPTED OR ERROR-FREE OR THAT THE SOFTWARE WILL MEET ANY OTHER STANDARD OF PERFORMANCE, OR THAT THE FUNCTIONS OR PERFORMANCE OF THE SOFTWARE WILL MEET THE USER'S REQUIREMENTS. WHEELOCK SHALL NOT BE LIABLE FOR ANY DELAYS, BREAKDOWNS, INTERRUPTIONS, LOSS, DESTRUCTION, ALTERATION, OR OTHER PROBLEMS IN THE USE OF A PRODUCT ARISING OUT OF OR CAUSED BY THE SOFTWARE.

THE LIABILITY OF WHEELOCK ARISING OUT OF THE SUPPLYING OF A PRODUCT, OR ITS USE, WHETHER ON WARRANTIES, NEGLIGENCE, OR OTHERWISE, SHALL NOT IN ANY CASE EXCEED THE COST OF CORRECTING DEFECTS AS STATED IN THE LIMITED WARRANTY AND UPON EXPIRATION OF THE WARRANTY PERIOD ALL SUCH LIABILITY SHALL TERMINATE. WHEELOCK IS NOT LIABLE FOR LABOR COSTS INCURRED IN REMOVAL, REINSTALLATION OR REPAIR OF THE PRODUCT BY ANYONE OTHER THAN WHEELOCK OR FOR DAMAGE OF ANY TYPE WHATSOEVER, INCLUDING BUT NOT LIMITED TO, LOSS OF PROFIT OR INCIDENTAL OR CONSEQUENTIAL DAMAGES. THE FOREGOING SHALL CONSTITUTE THE SOLE REMEDY OF THE PURCHASER AND THE EXCLUSIVE LIABILITY OF WHEELOCK.

IN NO CASE WILL WHEELOCK'S LIABILITY EXCEED THE PURCHASE PRICE PAID FOR A PRODUCT.

## **Limitation of Liability**

WHEELOCK'S LIABILITY ON ANY CLAIM OF ANY KIND, INCLUDING NEGLIGENCE AND BREACH OF WARRANTY, FOR ANY LOSS OR DAMAGE RESULTING FROM, ARISING OUT OF, OR CONNECTED WITH THIS CONTRACT, OR FROM THE MANUFACTURE, SALE, DELIVERY, RESALE, REPAIR OR USE OF ANY PRODUCT COVERED BY THIS ORDER SHALL BE LIMITED TO THE PRICE APPLICABLE TO THE PRODUCT OR PART THEREOF WHICH GIVES RISE TO THE CLAIM. WHEELOCK'S LIABILITY ON ANY CLAIM OF ANY KIND SHALL CEASE IMMEDIATELY UPON THE INSTALLATION IN THE PRODUCT OF ANY PART NOT FURNISHED BY WHEELOCK. IN NO EVENT SHALL WHEELOCK BE LIABLE FOR ANY CLAIM OF ANY KIND UNLESS IT IS PROVEN THAT OUR PRODUCT WAS A DIRECT CAUSE OF SUCH CLAIM. FURTHER, IN NO EVENT, INCLUDING IN THE CASE OF A CLAIM OF NEGLIGENCE, SHALL WHEELOCK BE LIABLE FOR INCIDENTAL OR CONSEQUENTIAL DAMAGES. SOME STATES DO NOT ALLOW THE EXCLUSION OR LIMITATION OF INCIDENTAL OR CONSEQUENTIAL DAMAGES, SO THE PRECEDING LIMITATION MAY NOT APPLY TO ALL PURCHASERS.