

*Thank you for using our products.*

## INSTALLATION INSTRUCTIONS REMOTE MICROPHONE (DUAL CIRCUIT)

*Use this product according to this instruction manual. Please keep this instruction manual for future reference.*

### MODEL NUMBERS:

- |        |                                      |
|--------|--------------------------------------|
| RMS-3B | Remote Microphone Dual Circuit Black |
| RMS-3R | Remote Microphone Dual Circuit Red   |

### GENERAL:

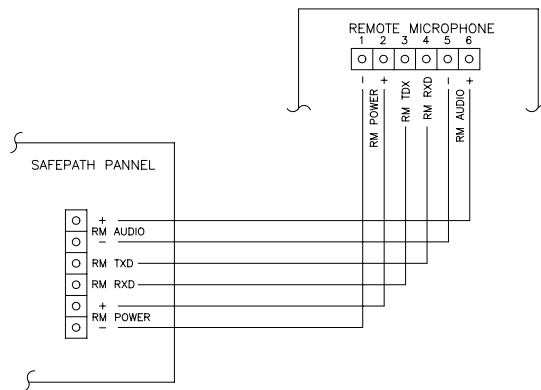
The Remote Microphones are UL Listed under Standard 864, Control Units for Fire-Protective Signaling Systems. ***They are Listed for indoor use only.*** The Remote Microphone is designed to be used with Wheelock's Dual Zone SAFEPATH Panel model DCSP. It provides a means for making emergency voice announcements from an auxiliary location. Only 1 Remote Microphone can be connected to the SAFEPATH Panel. The hand held push to talk microphone is supervised to ensure proper connection. It is not replaceable. If it is detached from the unit, the unit must be returned for repair.

### READ THESE INSTRUCTIONS CAREFULLY BEFORE USING THIS PRODUCT.

### SPECIFICATIONS:

- |                      |           |
|----------------------|-----------|
| Power Input Voltage: | 20-31VDC  |
| Audio Output Level:  | 1.05V RMS |
| Output Impedance:    | 600 Ohms  |
| Input Current:       | 50mA      |

### WIRING DIAGRAM:



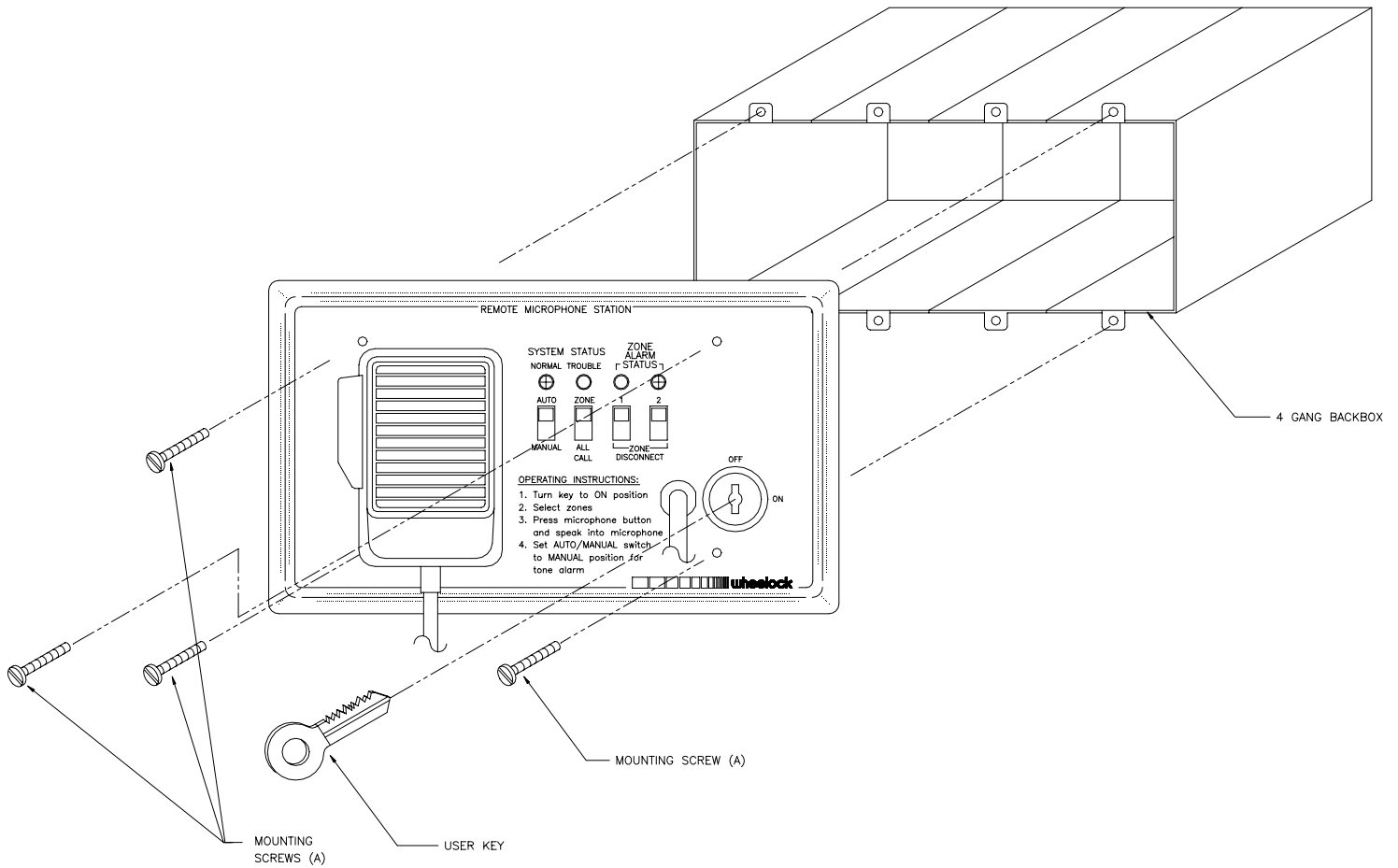
**Figure 1.**

### WIRING SPECIFICATIONS:

- |                      |  |
|----------------------|--|
| Cable Size:          | 14 - 22 AWG Shielded. The shield must be connected only at the SAFEPATH Panel. |
| Maximum Length:      | 1000 Feet  |
| Maximum Capacitance: | .05uF/Total Run (50pF/foot for 1000 FT.)                                       |

Copyright 1997, 1998 Wheelock, Inc. All rights reserved.

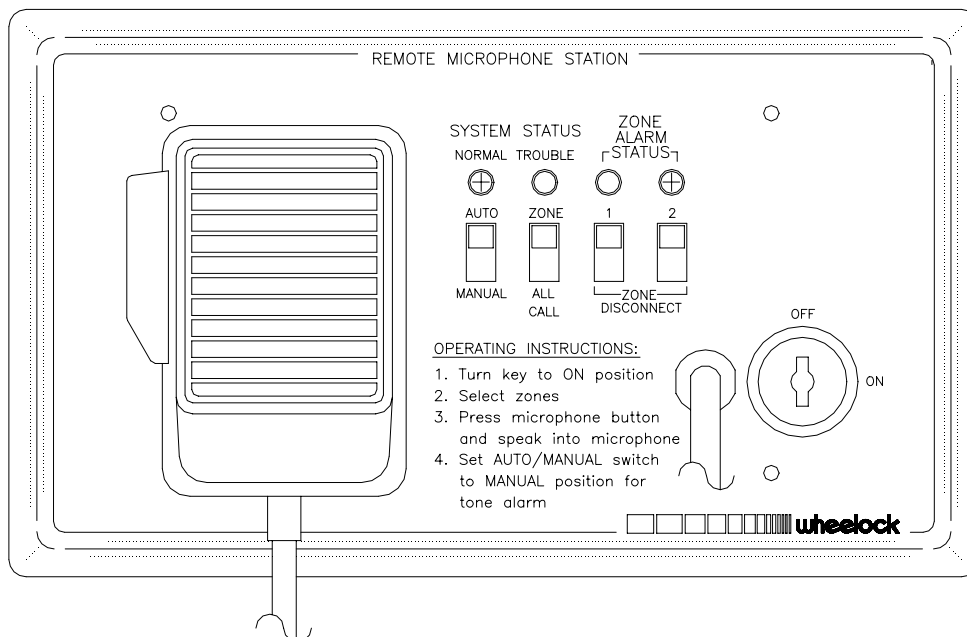
**MOUNTING INSTRUCTIONS:**



**Figure 2.**

1. Install a 4" gang backbox (either flush or surface) to the desired location. Be sure that the mounting box is level.
2. Attach the 6 wires as shown in the wiring diagram (Figure 1). Be sure to use the specified wire.
3. Attach the mounting plate to the box with the 4 screws as shown in Figure 2.

**OPERATING INSTRUCTIONS:**



**Figure 3.**

1. The key must be inserted and turned to the ON position for the controls to function. The key is removable only in the OFF position.
2. The status LEDs reflect the system's condition regardless of the key position. The green LED indicates there are no faults in the SAFEPATH system. The amber LED indicates there are 1 or more faults in the system (see SAFEPATH manual for troubleshooting procedures). The red LEDs indicate that the zone is in an alarm condition.
3. Switching the AUTO/MANUAL switch to the MANUAL position initiates a tone alarm.
4. Pressing the microphone press-to-talk button initiates a live audible announcement.
5. Each alarm has its own priority. The actions of the Remote Microphone might override or be overridden by other actions. See Table 1 for a list of all alarm conditions.
6. Switching a ZONE DISCONNECT switch removes that zone from an alarm condition.
7. Switching the ALL CALL position overrides all zone disconnects.

<b>Table 1: Alarm Conditions and the Respective Resulting Actions (in order of priority)</b>	
1. Panel mic push-to-talk button is depressed.	a. Panel live voice broadcast enabled b. Strobes enabled
2. AUTO/MANUAL switch in manual position.	a. Selected tone broadcasts b. Strobes enabled
3. Optional remote mic key is on and remote mic push-to-talk button depressed.	a. Remote mic live voice broadcast enabled b. Strobes enabled
4. Optional remote mic key is on.	a. Selected tone broadcasts b. Strobes enabled
5. Channel play contacts close.	a. Selected tone broadcasts b. Strobes enabled c. If DV option is attached, then: 1) Recorded message plays (see Note below) 2) Strobes enabled
See SAFEPATH Manual for additional information.	

## **MEA INFORMATION:**

Recommendations - That the above units be accepted on condition that all uses, configurations, arrangements and functions, locations and installations comply with the New York City Building Code, specifically Subchapter 17 and with the Referenced Standard RS 17-3 through 17-3C including the NFPA as appropriate, the UL Listing, the manufacturer's instructions, the Fire Department Rules and the Electrical Code of the City of New York, and on further condition that:

- (a) The use, installation and application of the SAFEPATH System shall be restricted exclusively to connection with an BSA/MEA approved compatible Class E, Class J or Class C Fire Command Station.
- (b) The Fire Command Station shall have the capability of overriding any function of the SAFEPATH system.
- (c) Prior to the installation of any SAFEPATH System, a specific approval for a specific installation must be obtained from the Fire Department.
- (d) A priority voice message matrix must be submitted to the Fire Department for approval before the installation is performed and shall include the following information:
  - 1. The duration of each message.
  - 2. The content of each message.
  - 3. The duration of the audible and visual alarm signals prior to the initiation of the subsequent prerecorded message transmission.
  - 4. The interval between the cessation of the audible and visual alarm signals and the generation of prerecorded message.
- (e) The SAFEPATH panel must be located in the room as, and within 20 feet of a BSA/MEA approved Fire Command Station. The wiring between the SAFEPATH Control Unit and the Fire Command Station must be enclosed in conduit.
- (f) Power supply wiring to the SAFEPATH Control Unit shall be installed in the same conduit containing the input and output wiring.
- (g) When used with central office communicator or transmitter, the installation and operation of the equipment and devices listed herein shall comply with Fire Department Rule #3 - RCNY 17-01, NFPA 71, and shall have the capability of transmitting separate and distinct signals to indicate manual pull station alarm, automatic smoke/heat detection alarm, sprinkler waterflow alarm, supervisory signal indications and trouble indications.
- (h) The connection of security/burglar devices and equipment to that submitted for acceptance for fire alarm usage under this MEA application is prohibited within New York City and such equipment and devices shall be so permanently labeled.

All shipments and deliveries of such equipment shall be provided with a metal tag suitably placed, certifying that the equipment shipped or delivered is equivalent to that tested and accepted for use, as provided for in Section 27-131 of the Building Code.

**ANY MATERIAL EXTRAPOLATED FROM THIS DOCUMENT OR FROM WHEELLOCK MANUALS OR OTHER DOCUMENTS DESCRIBING THE PRODUCT FOR USE IN PROMOTIONAL OR ADVERTISING CLAIMS, OR FOR ANY OTHER USE, INCLUDING DESCRIPTION OF THE PRODUCT'S APPLICATION, OPERATION, INSTALLATION AND TESTING IS USED AT THE SOLE RISK OF THE USER AND WHEELLOCK WILL NOT HAVE ANY LIABILITY FOR SUCH USE.**

## **Limited Warranty**

Wheelock products must be used within their published specifications and must be PROPERLY specified, applied, installed, operated, maintained and operationally tested in accordance with these instructions at the time of installation and at least twice a year or more often and in accordance with local, state and federal codes, regulations and laws. Specification, application, installation, operation, maintenance and testing must be performed by qualified personnel for proper operation in accordance with all of the latest National Fire Protection Association (NFPA), Underwriters' Laboratories (UL), Underwriters' Laboratories of Canada (ULC), National Electrical Code (NEC), Occupational Safety and Health Administration (OSHA), local, state, county, province, district, federal and other applicable building and fire standards, guidelines, regulations, laws and codes including, but not limited to, all appendices and amendments and the requirements of the local authority having jurisdiction (AHJ). Wheelock products when properly specified, applied, installed, operated, maintained and operationally tested as provided above are warranted against mechanical and electrical defects for a period of three years from date of manufacture (as determined by date code). Correction of defects by repair or replacement shall be at Wheelock's sole discretion and shall constitute fulfillment of all obligations under this warranty. THE FOREGOING LIMITED WARRANTY SHALL IMMEDIATELY TERMINATE IN THE EVENT ANY PART NOT FURNISHED BY WHEELOCK IS INSTALLED IN THE PRODUCT. THE FOREGOING LIMITED WARRANTY SPECIFICALLY EXCLUDES ANY SOFTWARE REQUIRED FOR THE OPERATION OF OR INCLUDED IN A PRODUCT. WHEELOCK MAKES NO REPRESENTATION OR WARRANTY OF ANY OTHER KIND, EXPRESS, IMPLIED OR STATUTORY WHETHER AS TO MERCHANTABILITY, FITNESS FOR A PARTICULAR PURPOSE OR ANY OTHER MATTER.

USERS ARE SOLELY RESPONSIBLE FOR DETERMINING WHETHER A PRODUCT IS SUITABLE FOR THE USER'S PURPOSES, OR WHETHER IT WILL ACHIEVE THE USER'S INTENDED RESULTS. THERE IS NO WARRANTY AGAINST DAMAGE RESULTING FROM MISAPPLICATION, IMPROPER SPECIFICATION, ABUSE, ACCIDENT OR OTHER OPERATING CONDITIONS BEYOND WHEELOCK'S CONTROL.

SOME WHEELOCK PRODUCTS CONTAIN SOFTWARE. WITH RESPECT TO THOSE PRODUCTS, WHEELOCK DOES NOT WARRANT THAT THE OPERATION OF THE SOFTWARE WILL BE UNINTERRUPTED OR ERROR-FREE OR THAT THE SOFTWARE WILL MEET ANY OTHER STANDARD OF PERFORMANCE, OR THAT THE FUNCTIONS OR PERFORMANCE OF THE SOFTWARE WILL MEET THE USER'S REQUIREMENTS. WHEELOCK SHALL NOT BE LIABLE FOR ANY DELAYS, BREAKDOWNS, INTERRUPTIONS, LOSS, DESTRUCTION, ALTERATION, OR OTHER PROBLEMS IN THE USE OF A PRODUCT ARISING OUT OF OR CAUSED BY THE SOFTWARE.

THE LIABILITY OF WHEELOCK ARISING OUT OF THE SUPPLYING OF A PRODUCT, OR ITS USE, WHETHER ON WARRANTIES, NEGLIGENCE, OR OTHERWISE, SHALL NOT IN ANY CASE EXCEED THE COST OF CORRECTING DEFECTS AS STATED IN THE LIMITED WARRANTY AND UPON EXPIRATION OF THE WARRANTY PERIOD ALL SUCH LIABILITY SHALL TERMINATE. WHEELOCK IS NOT LIABLE FOR LABOR COSTS INCURRED IN REMOVAL, REINSTALLATION OR REPAIR OF THE PRODUCT BY ANYONE OTHER THAN WHEELOCK OR FOR DAMAGE OF ANY TYPE WHATSOEVER, INCLUDING BUT NOT LIMITED TO, LOSS OF PROFIT OR INCIDENTAL OR CONSEQUENTIAL DAMAGES. THE FOREGOING SHALL CONSTITUTE THE SOLE REMEDY OF THE PURCHASER AND THE EXCLUSIVE LIABILITY OF WHEELOCK.

IN NO CASE WILL WHEELOCK'S LIABILITY EXCEED THE PURCHASE PRICE PAID FOR A PRODUCT.

## **Limitation of Liability**

WHEELOCK'S LIABILITY ON ANY CLAIM OF ANY KIND, INCLUDING NEGLIGENCE AND BREACH OF WARRANTY, FOR ANY LOSS OR DAMAGE RESULTING FROM, ARISING OUT OF, OR CONNECTED WITH THIS CONTRACT, OR FROM THE MANUFACTURE, SALE, DELIVERY, RESALE, REPAIR OR USE OF ANY PRODUCT COVERED BY THIS ORDER SHALL BE LIMITED TO THE PRICE APPLICABLE TO THE PRODUCT OR PART THEREOF WHICH GIVES RISE TO THE CLAIM. WHEELOCK'S LIABILITY ON ANY CLAIM OF ANY KIND SHALL CEASE IMMEDIATELY UPON THE INSTALLATION IN THE PRODUCT OF ANY PART NOT FURNISHED BY WHEELOCK. IN NO EVENT SHALL WHEELOCK BE LIABLE FOR ANY CLAIM OF ANY KIND UNLESS IT IS PROVEN THAT OUR PRODUCT WAS A DIRECT CAUSE OF SUCH CLAIM. FURTHER, IN NO EVENT, INCLUDING IN THE CASE OF A CLAIM OF NEGLIGENCE, SHALL WHEELOCK BE LIABLE FOR INCIDENTAL OR CONSEQUENTIAL DAMAGES. SOME STATES DO NOT ALLOW THE EXCLUSION OR LIMITATION OF INCIDENTAL OR CONSEQUENTIAL DAMAGES, SO THE PRECEDING LIMITATION MAY NOT APPLY TO ALL PURCHASERS.