

Fire Alarm Call Points, Hazardous Location SM87 PBL



Description:

These fire alarm call points have been designed for the most arduous environmental conditions. The units are both easy to install and maintain. Versions of this model are available with various options including an addressable module. The marine grade alloy makes the unit suitable for offshore industries.

Features*:

- ★ UL Listed for USA and Canada
 - Hazardous locations:
 - Class I, Div. I, Groups C & D
 - Class I, Zones 1
 - Ordinary locations: Audible-Signal Device
 - ★ ATEX approved
 - ★ CSA Certified
 - ★ NEMA 4x & 6, IP66 and IP67
 - ★ Certified temperature –67°F to +158°F (–55°C to +70°C)
 - ★ Marine grade alloy
 - ★ Robust yet lightweight
 - ★ Easy to maintain
- *Depending on version

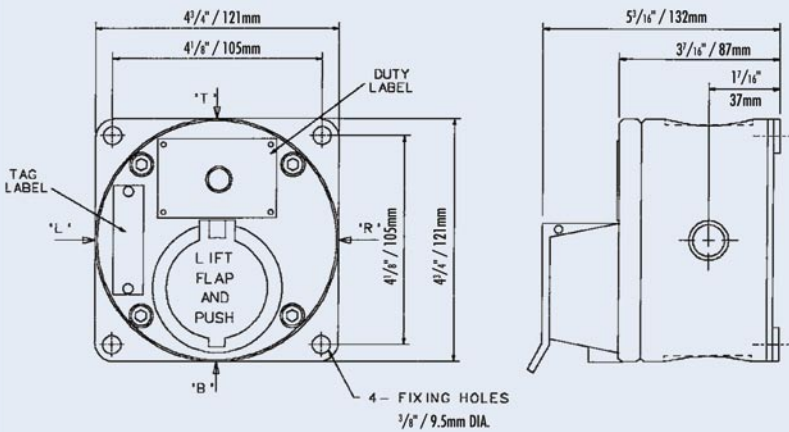
Architects and Engineers Specifications

Explosion-proof fire alarm call points or push buttons shall be UL listed for Class I, Division 1, Groups C&D, and Class I, Zone 1 hazardous locations. The call points or push buttons shall be constructed of marine grade alloy with an epoxy paint finish and shall meet NEMA 4x, NEMA6, IP 66 and IP 67 environmental requirements over a temperature range of –67°F to 158°F (–55°C to 70°C) in hazardous and harsh environments.

Actuation of the call point or push button shall require the opening of a flap and depression of an actuator. An actuated unit shall remain latched until reset. A reset operation shall only take place through the use of a key.

Note: Due to continuous development of our products, specifications and offerings are subject to change without notice in accordance with Cooper Wheelock standard terms and conditions.

ALL DIMENSIONS IN INCHES AND MILLIMETERS



- Ingress Protection: NEMA 4x & 6, IP66 & 67.
- Terminals: Will accept up to 14AWG cable
- Switch Rating: 2 amp, 2 pole c/o, wired to terminals
- Cable Entries: Up to 4 entries 1/2" or 3/4" NPT.
- Weight: 5.5 lb/2.5kg (Varies with model & entries).
- Material: LM25 TF Marine Grade Alloy
- Finish: Red epoxy painted finish as standard or to Customer's specification.
- Resistors: 490 OHM minimum.
- Optional Indicator: A red high intensity LED can be fitted for alarm indication
- Certified Temperature: -67°F to 158°F

Configuration Options:

Unit Type	Model	Certification	Entries	Duty Label	Tag Label	Features	Finish
SM87	PBL						

Certification	Code	Entries	Code	Tag Label	Code	Finish	Code
CSA - Certified*	C	1/2" NPT	3	Required	Y	Red (Standard)	R
UL Listed	UL	3/4" NPT	4	Not Required	N	Blue	B
		Top	*T			Yellow	Y
		Bottom	*B			Grey	G
		RHS	*R			Yellow/Black	
		LHS	*L			Stripes	X
		*prefix position with size code i.e. 3T 3B = 1/2" NPT Top and Bottom				Other - specify	S

Label	Code
Push Button	2
Fire-Push Button	3
ESDO-Abandon	4
Other	O*

Features	Code
None	N
LED	A
Lift Flap (BG only)	B
Resistor Series	*C
Resistor EOL	*D
Break glass	P

*Specify values

Standard Models

Series	Model Number	Order Code	Description
SM87 PBL	SM87PBLAUL3T3B3NNR	109211-002	Push button, Fire label, Red finish



273 Branchport Avenue
 Long Branch, NJ 07740
 Phone: (800) 631-2148
 Fax: (732) 222-2588
 www.cooperwheelock.com



WE ENCOURAGE AND SUPPORT NICET CERTIFICATION
 3 YEAR WARRANTY
 Made in USA