



INC.

273 Branchport Avenue
Long Branch, NJ 07740
(800) 631-2148
www.wheelockinc.com

Thank you for using our products.

INSTALLATION INSTRUCTIONS TELEPHONE BELL

Use this product according to this instruction manual. Please keep this instruction manual for future reference.


MODEL NO: TB-591, TB-592

GENERAL:

The TB series Telbells are designed to provide a loud attention getting bell sound for use in noisy locations or for wide area coverage. It includes an externally adjustable, tamper resistant volume control. Telbell utilizes the motor driven mechanism concept that incorporates a high torque permanent magnet motor and a 6" aluminum shell to produce higher sound output and lower resonant frequency than conventional mechanical bells. The TB series are designed for use with telephone communications systems whose ringing voltages are from 18-30VAC/DC, or 38-60VDC.

Telbells are attractively packaged for convenient indoor or outdoor surface mounting. Wiring is easy because a modular telephone jack is provided. Additionally, they provide screw terminals for hard wiring, and a knockout for 1/2" conduit.

READ THESE INSTRUCTIONS CAREFULLY BEFORE USING THIS PRODUCT.

NOTE: All **CAUTIONS** and **WARNINGS** are identified by the symbol . All warnings are printed in bold capital letters.

INSTALLATION INFORMATION:

The TB series Telbells are intended for surface mounting. To install the Telbell, follow instructions below:

1. Modular Connection - Figure 1 & 2:
 - a. Unscrew the center bolt to remove the bell shell.
 - b. Mount the base to the desired location, using mounting hardware suitable for the mounting surface material.
 - c. Mount bell shell to housing with center bolt. Be sure shell is properly aligned with housing.

NOTE: Pin hole in bell shell must be aligned with guide pin on bell housing.

- d. Route the telephone cord through the bushing (provided) and plug the telephone cord into the unit modular phone jack, then plug the bushing into the backbox per Figure 2.
 - e. Test by having someone ring your telephone to make sure the signal functions properly.

NOTE: The factory volume control setting is at maximum. Readjust volume as required. For tamper resistant volume setting, remove volume control shaft by pulling straight out.

2. Hard Wire Connection - Figures 3 & 4:
 - a. Unscrew the center bolt to remove the bell shell.
 - b. Remove the bell housing by unscrewing all four screws. Disconnect the red and black wires by unplugging from the PC Board.
 - c. Mount the backbox to the desired location, using mounting hardware suitable for the mounting surface material.
 - d. No conduit:
Route the 24VDC or 48VDC wires through the bushing (provided) and connect wires to terminal TB1 marked T and R respectively. Then plug the bushing into the phone jack opening of the backbox, See Figure 4.
With conduit:
Open the knock-out in the top of backbox. Be careful not to damage PC Board components. The knock-out opening is sized for 1/2" conduit and matching connector. Be sure that proper water tight conduit fitting is used to connect to the bell backbox for outdoor application. Connect 24VDC or 48VDC wires to terminal TB1 marked T and R respectively.

NOTE: The Telbells are not polarity sensitive. They will function even though the polarity is reversed.

- e. Reconnect red and black wires to pins marked red and black respectively on the PC Board.
- f. Mount the bell housing to the backbox, with the four screws.
- g. Mount bell shell to housing and secure with center bolt. Be sure shell is properly aligned with housing.

NOTE: Pin hole in bell shell must be aligned with guide pin on bell housing.

- h. Plug the bushing into the phone jack opening of the backbox.
- i. Test by having someone ring your telephone to make sure the signal functions properly.

NOTE: -The factory volume control setting is at maximum. Adjust volume as required. For tamper resistant volume setting, remove volume control shaft by pulling straight out.
 - At low input voltages, and low volume settings, the volume control may have to be adjusted to obtain the desired sound output.

NOTE: The Telbell does not eliminate existing telephone ringers. Such ringers can be disconnected when Telbell is installed.

CAUTION: These devices are not intended for use in hazardous locations as defined by the National Electrical Code (NEC) and by the National Fire Protection Association (NFPA). Contact Wheelock Inc. for information on explosion-proof devices designed for hazardous locations.

| <i>Table 1: Performance Specifications</i> | | |
|--|--|---------------|
| Model Number | TB-591 | TB-592 |
| Nominal Input Voltage | 48VDC | 24VDC/AC |
| Input Voltage Range | 38-60VDC | 18-30VDC/AC |
| Input Current at Nominal Input Voltage | 25mA | 25mADC/30mAAC |
| Sound Pressure Level Min/Max Volume | 95/100dB at 1 Meter | |
| Minimum "ON" Cycle | 0.5 Seconds | |
| Minimum "OFF" Cycle | 0.5 Seconds | |
| Shell Size | 6" Aluminum | |
| DC Impedance | Virtually Infinite (Blocking Capacitor) | |
| Input Jack | USOC RJ11C (PIN 2 - Black; PIN 5 - Yellow) | |

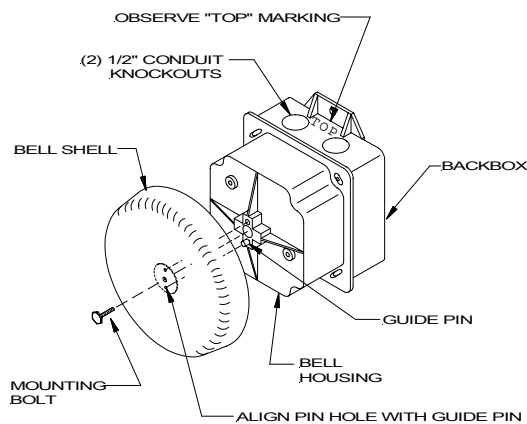


Figure 1: Removal of Bell Shell

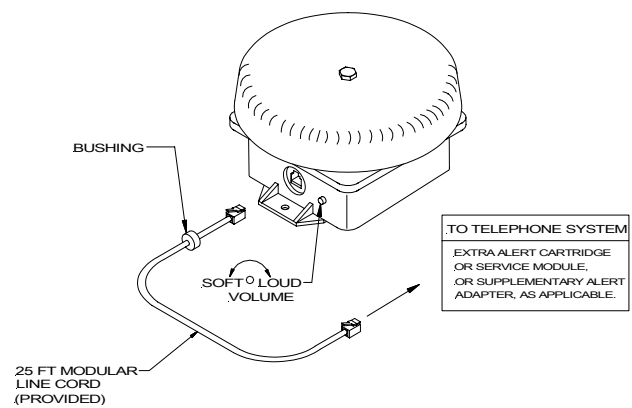


Figure 2: Modular Connection

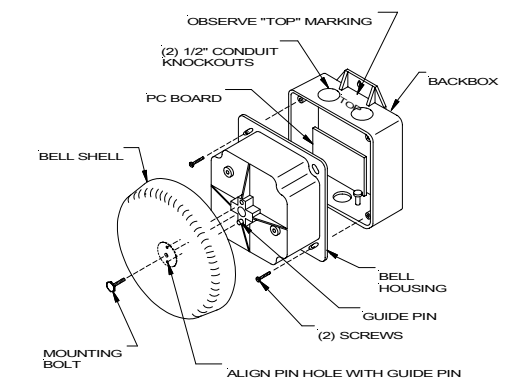


Figure 3: Removal of Bell Shell and Housing

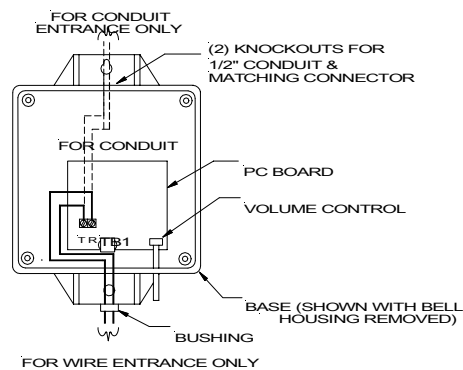


Figure 4: Hard Wire Diagram

ANY MATERIAL EXTRAPOLATED FROM THIS DOCUMENT OR FROM WHEELOCK MANUALS OR OTHER DOCUMENTS DESCRIBING THE PRODUCT FOR USE IN PROMOTIONAL OR ADVERTISING CLAIMS, OR FOR ANY OTHER USE, INCLUDING DESCRIPTION OF THE PRODUCT'S APPLICATION, OPERATION, INSTALLATION AND TESTING IS USED AT THE SOLE RISK OF THE USER AND WHEELOCK WILL NOT HAVE ANY LIABILITY FOR SUCH USE.

Limited Warranty

Wheelock products must be used within their published specifications and must be PROPERLY specified, applied, installed, operated, maintained and operationally tested in accordance with these instructions at the time of installation and at least twice a year or more often and in accordance with local, state and federal codes, regulations and laws. Specification, application, installation, operation, maintenance and testing must be performed by qualified personnel for proper operation in accordance with all of the latest National Fire Protection Association (NFPA), Underwriters' Laboratories (UL), Underwriters' Laboratories of Canada (ULC), National Electrical Code (NEC), Occupational Safety and Health Administration (OSHA), local, state, county, province, district, federal and other applicable building and fire standards, guidelines, regulations, laws and codes including, but not limited to, all appendices and amendments and the requirements of the local authority having jurisdiction (AHJ). Wheelock products when properly specified, applied, installed, operated, maintained and operationally tested as provided above are warranted against mechanical and electrical defects for a period of three years from date of manufacture (as determined by date code). Correction of defects by repair or replacement shall be at Wheelock's sole discretion and shall constitute fulfillment of all obligations under this warranty. THE FOREGOING LIMITED WARRANTY SHALL IMMEDIATELY TERMINATE IN THE EVENT ANY PART NOT FURNISHED BY WHEELOCK IS INSTALLED IN THE PRODUCT. THE FOREGOING LIMITED WARRANTY SPECIFICALLY EXCLUDES ANY SOFTWARE REQUIRED FOR THE OPERATION OF OR INCLUDED IN A PRODUCT. WHEELOCK MAKES NO REPRESENTATION OR WARRANTY OF ANY OTHER KIND, EXPRESS, IMPLIED OR STATUTORY WHETHER AS TO MERCHANTABILITY, FITNESS FOR A PARTICULAR PURPOSE OR ANY OTHER MATTER.

USERS ARE SOLELY RESPONSIBLE FOR DETERMINING WHETHER A PRODUCT IS SUITABLE FOR THE USER'S PURPOSES, OR WHETHER IT WILL ACHIEVE THE USER'S INTENDED RESULTS. THERE IS NO WARRANTY AGAINST DAMAGE RESULTING FROM MISAPPLICATION, IMPROPER SPECIFICATION, ABUSE, ACCIDENT OR OTHER OPERATING CONDITIONS BEYOND WHEELOCK'S CONTROL.

SOME WHEELOCK PRODUCTS CONTAIN SOFTWARE. WITH RESPECT TO THOSE PRODUCTS, WHEELOCK DOES NOT WARRANTY THAT THE OPERATION OF THE SOFTWARE WILL BE UNINTERRUPTED OR ERROR-FREE OR THAT THE SOFTWARE WILL MEET ANY OTHER STANDARD OF PERFORMANCE, OR THAT THE FUNCTIONS OR PERFORMANCE OF THE SOFTWARE WILL MEET THE USER'S REQUIREMENTS. WHEELOCK SHALL NOT BE LIABLE FOR ANY DELAYS, BREAKDOWNS, INTERRUPTIONS, LOSS, DESTRUCTION, ALTERATION, OR OTHER PROBLEMS IN THE USE OF A PRODUCT ARISING OUT OF OR CAUSED BY THE SOFTWARE.

THE LIABILITY OF WHEELOCK ARISING OUT OF THE SUPPLYING OF A PRODUCT, OR ITS USE, WHETHER ON WARRANTIES, NEGLIGENCE, OR OTHERWISE, SHALL NOT IN ANY CASE EXCEED THE COST OF CORRECTING DEFECTS AS STATED IN THE LIMITED WARRANTY AND UPON EXPIRATION OF THE WARRANTY PERIOD ALL SUCH LIABILITY SHALL TERMINATE. WHEELOCK IS NOT LIABLE FOR LABOR COSTS INCURRED IN REMOVAL, REINSTALLATION OR REPAIR OF THE PRODUCT BY ANYONE OTHER THAN WHEELOCK OR FOR DAMAGE OF ANY TYPE WHATSOEVER, INCLUDING BUT NOT LIMITED TO, LOSS OF PROFIT OR INCIDENTAL OR CONSEQUENTIAL DAMAGES. THE FOREGOING SHALL CONSTITUTE THE SOLE REMEDY OF THE PURCHASER AND THE EXCLUSIVE LIABILITY OF WHEELOCK.

IN NO CASE WILL WHEELOCK'S LIABILITY EXCEED THE PURCHASE PRICE PAID FOR A PRODUCT.

Limitation of Liability

WHEELOCK'S LIABILITY ON ANY CLAIM OF ANY KIND, INCLUDING NEGLIGENCE AND BREACH OF WARRANTY, FOR ANY LOSS OR DAMAGE RESULTING FROM, ARISING OUT OF, OR CONNECTED WITH THIS CONTRACT, OR FROM THE MANUFACTURE, SALE, DELIVERY, RESALE, REPAIR OR USE OF ANY PRODUCT COVERED BY THIS ORDER SHALL BE LIMITED TO THE PRICE APPLICABLE TO THE PRODUCT OR PART THEREOF WHICH GIVES RISE TO THE CLAIM. WHEELOCK'S LIABILITY ON ANY CLAIM OF ANY KIND SHALL CEASE IMMEDIATELY UPON THE INSTALLATION IN THE PRODUCT OF ANY PART NOT FURNISHED BY WHEELOCK. IN NO EVENT SHALL WHEELOCK BE LIABLE FOR ANY CLAIM OF ANY KIND UNLESS IT IS PROVEN THAT OUR PRODUCT WAS A DIRECT CAUSE OF SUCH CLAIM. FURTHER, IN NO EVENT, INCLUDING IN THE CASE OF A CLAIM OF NEGLIGENCE, SHALL WHEELOCK BE LIABLE FOR INCIDENTAL OR CONSEQUENTIAL DAMAGES. SOME STATES DO NOT ALLOW THE EXCLUSION OR LIMITATION OF INCIDENTAL OR CONSEQUENTIAL DAMAGES, SO THE PRECEDING LIMITATION MAY NOT APPLY TO ALL PURCHASERS.