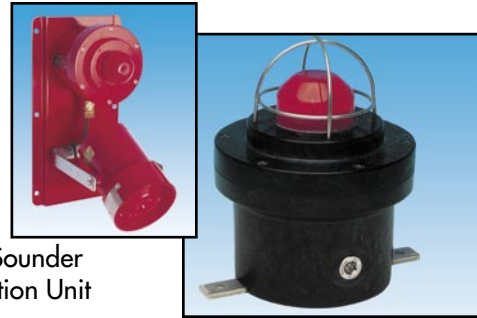


Strobe - 29 Candela, Hazardous Location XB11



Strobe/Sounder
Combination Unit

Description:

These certified strobes have been designed for use in potentially explosive gas and dust atmospheres and harsh environmental conditions. The glass reinforced polyester enclosures are suitable for use offshore or onshore, where light weight combined with corrosion resistance is required.

The strobe housing is manufactured completely from a U.V. stable, glass reinforced polyester. Stainless steel screws and mounting bracket are incorporated ensuring a totally corrosion free product.

Units can be painted to customer specification and supplied with identification labels.

Features*:

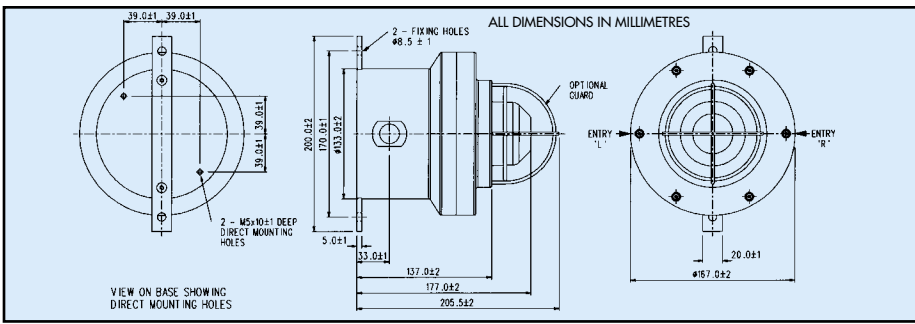
- ★ UL Listed for USA and Canada
 - Hazardous locations:
 - Class I, Div 2, Groups C & D
 - Class I, Zones 1 & 2, AExd IIB T4/T5
 - Ordinary locations: Visual-Signal Device
 - ★ ATEX approved
 - ★ NEMA 4x & 6, IP66 and IP67
 - ★ Certified temperature -67°F to $+158^{\circ}\text{F}$ (-55°C to $+70^{\circ}\text{C}$)
 - ★ Corrosion resistant GRP
 - ★ Optional stainless steel backstrap
 - ★ Various lens colors
 - ★ Optional lens guard
 - ★ 29 candela
 - ★ 4 wire monitored connection
 - ★ Available as a status light
 - ★ Xenon
 - ★ 24 VDC, 110 and 240 VAC
- *Depending on version

Architects and Engineers Specifications

Strobes for hazardous locations and harsh environments shall be UL and cUL listed for Class I, Division 2, Groups C&D, and Class I, Zones 1&2, AExd IIB T5 applications and shall be listed under UL Standard 1638 for Indoor/Outdoor use. The strobe appliances shall be constructed of lightweight, UV stable glass reinforced polyester, shall be corrosion resistant, and shall meet NEMA 4x, NEMA 6, IP 66 & IP 67 environmental requirements over a temperature range of -67°F to 158°F (-55°C to 70°C).

The strobe shall be rated to flash at 1 Hz with 29 candela per flash. Rated current draw shall not exceed 320 mA at 24 vdc. The strobe shall be capable of direct surface mounting in any direction.

Note: Due to continuous development of our products, specifications and offerings are subject to change without notice in accordance with Cooper Wheelock standard terms and conditions.



Specification

Certification: UL Listed for USA and Canada to:
 - Hazardous locations:
 Class I, Div 2 Groups C & D.
 Class I, Zones 1 & 2 AExd IIB T4/T5.
 UL Listing No: E187894.
 - Ordinary locations: Visual-Signal Device.
 UL listing No. S8128.
 ATEX approved: EExd IIB T5/T6
 Cert. No. 99 ATEX 2195X
 CENELEC EN50014 and EN50018

Material: Body: - Glass reinforced polyester (GRP).
 Lens: - Glass.
 Cover Screws + Backstrap: - Stainless steel 316.

Finish: Natural black or painted to customer specification.

Weight: 5-1/2lb./2.5Kg.

Certified Temperature: -67°F to +158°F (-55°C to +70°C) hazardous locations
 -67°F to +131°F (-55°C to +55°C) ordinary locations

Ingress Protection: NEMA 4x & 6, IP66 & IP67.

Terminals: 6 off suitable for up to 14 AWG conductor size

Labels: Duty/Tag Label optional.

Entries: 2 x 1/2" NPT

Strobe/Sounder Unit: The strobe may be combined with an MEDC sounder to create a visual/audible alarm.
 Contact MEDC for price and specification.

| | DC | AC50/60 Hz | |
|-------------------------------|-------|------------|-------|
| Voltage | 24 | 110 | 240 |
| XB11 Tube Energy (Joules) | 5 | 5 | 5 |
| Peak Current Consumption (mA) | 320 | 100 | 60 |
| Effective Intensity (Cd) | 29 | 29 | 29 |
| Peak Intensity (Cd) | 22213 | 22213 | 22213 |
| Power Consumption (Watts) | 8 | 11 | 14.4 |

NOTE: The Cd figures are for a clear lens @ 1Hz flash rate.

FOR COLORED LENSES

| Color | Red | Blue | Amber | Green | Yellow |
|--------------------|------|------|-------|-------|--------|
| Multiplying Factor | 0.15 | 0.12 | 0.51 | 0.49 | 0.86 |

The photometric data has been verified by BSI.
 A report is available if required.

Configuration Options:

The following code is designed to help in the selection of the correct unit. Build up the reference number by inserting the code for each component into the appropriate box.

| Certification | Voltage | Flash Rate | Lens Color | Lens Guard | Unit Fixing | Earth Continuity | Tag/Duty Label | Other Options | Unit Finish | | | | | | | | | | | | | | | | | | | | | | | | | | | | | | | | | | | | | | | | | | | | | | | | | | | | | | | | | | | | | | | | | | |
|--|----------------|--|-------------------|-------------------|------------------------|-------------------------|---|----------------------|--------------------|----------|--|------------|------|-----------|-----|--|-------|------|-----|---|------|---|-------|---|-------|---|--------|---|-------|---|---|-------|------|------|---|-----|---|--|-------------|------|---------------------------|-----|---|-------|------|------|---|-----|---|------------------|--|--|--------|------|---------------|---|------|---|---|--------|------|---------------|---|-----|---|------|---|--------|---|------|---|-------|---|----------------|---|
| XB11 | | | | | | N | | | | | | | | | | | | | | | | | | | | | | | | | | | | | | | | | | | | | | | | | | | | | | | | | | | | | | | | | | | | | | | | | | | | | |
| <table border="1"> <tr><th>Certification</th><th>Code</th></tr> <tr><td>UL</td><td>UL</td></tr> <tr><td>UL (Ordinary location)</td><td>UW</td></tr> </table> | Certification | Code | UL | UL | UL (Ordinary location) | UW | <table border="1"> <tr><th>Voltage</th><th>Code</th></tr> <tr><td>24V d.c.</td><td>024</td></tr> <tr><td>110V a.c.</td><td>110</td></tr> <tr><td>240V a.c.</td><td>240</td></tr> </table> | Voltage | Code | 24V d.c. | 024 | 110V a.c. | 110 | 240V a.c. | 240 | <table border="1"> <tr><th>Color</th><th>Code</th></tr> <tr><td>Red</td><td>R</td></tr> <tr><td>Blue</td><td>B</td></tr> <tr><td>Green</td><td>G</td></tr> <tr><td>Amber</td><td>A</td></tr> <tr><td>Yellow</td><td>Y</td></tr> <tr><td>Clear</td><td>C</td></tr> </table> | Color | Code | Red | R | Blue | B | Green | G | Amber | A | Yellow | Y | Clear | C | <table border="1"> <tr><th>Guard</th><th>Code</th></tr> <tr><td>None</td><td>N</td></tr> <tr><td>Yes</td><td>Y</td></tr> </table> | Guard | Code | None | N | Yes | Y | <table border="1"> <tr><th>Unit Fixing</th><th>Code</th></tr> <tr><td>Direct Mounting Backstrap</td><td>D B</td></tr> </table> | Unit Fixing | Code | Direct Mounting Backstrap | D B | <table border="1"> <tr><th>Label</th><th>Code</th></tr> <tr><td>None</td><td>N</td></tr> <tr><td>Yes</td><td>Y</td></tr> <tr><td>(Please specify)</td><td></td></tr> </table> | Label | Code | None | N | Yes | Y | (Please specify) | | <table border="1"> <tr><th>Option</th><th>Code</th></tr> <tr><td>Blanking Plug</td><td>P</td></tr> <tr><td>None</td><td>N</td></tr> </table> | Option | Code | Blanking Plug | P | None | N | <table border="1"> <tr><th>Finish</th><th>Code</th></tr> <tr><td>Natural Black</td><td>N</td></tr> <tr><td>Red</td><td>R</td></tr> <tr><td>Blue</td><td>B</td></tr> <tr><td>Yellow</td><td>Y</td></tr> <tr><td>Grey</td><td>G</td></tr> <tr><td>White</td><td>W</td></tr> <tr><td>Special Finish</td><td>S</td></tr> </table> | Finish | Code | Natural Black | N | Red | R | Blue | B | Yellow | Y | Grey | G | White | W | Special Finish | S |
| Certification | Code | | | | | | | | | | | | | | | | | | | | | | | | | | | | | | | | | | | | | | | | | | | | | | | | | | | | | | | | | | | | | | | | | | | | | | | | | | |
| UL | UL | | | | | | | | | | | | | | | | | | | | | | | | | | | | | | | | | | | | | | | | | | | | | | | | | | | | | | | | | | | | | | | | | | | | | | | | | | |
| UL (Ordinary location) | UW | | | | | | | | | | | | | | | | | | | | | | | | | | | | | | | | | | | | | | | | | | | | | | | | | | | | | | | | | | | | | | | | | | | | | | | | | | |
| Voltage | Code | | | | | | | | | | | | | | | | | | | | | | | | | | | | | | | | | | | | | | | | | | | | | | | | | | | | | | | | | | | | | | | | | | | | | | | | | | |
| 24V d.c. | 024 | | | | | | | | | | | | | | | | | | | | | | | | | | | | | | | | | | | | | | | | | | | | | | | | | | | | | | | | | | | | | | | | | | | | | | | | | | |
| 110V a.c. | 110 | | | | | | | | | | | | | | | | | | | | | | | | | | | | | | | | | | | | | | | | | | | | | | | | | | | | | | | | | | | | | | | | | | | | | | | | | | |
| 240V a.c. | 240 | | | | | | | | | | | | | | | | | | | | | | | | | | | | | | | | | | | | | | | | | | | | | | | | | | | | | | | | | | | | | | | | | | | | | | | | | | |
| Color | Code | | | | | | | | | | | | | | | | | | | | | | | | | | | | | | | | | | | | | | | | | | | | | | | | | | | | | | | | | | | | | | | | | | | | | | | | | | |
| Red | R | | | | | | | | | | | | | | | | | | | | | | | | | | | | | | | | | | | | | | | | | | | | | | | | | | | | | | | | | | | | | | | | | | | | | | | | | | |
| Blue | B | | | | | | | | | | | | | | | | | | | | | | | | | | | | | | | | | | | | | | | | | | | | | | | | | | | | | | | | | | | | | | | | | | | | | | | | | | |
| Green | G | | | | | | | | | | | | | | | | | | | | | | | | | | | | | | | | | | | | | | | | | | | | | | | | | | | | | | | | | | | | | | | | | | | | | | | | | | |
| Amber | A | | | | | | | | | | | | | | | | | | | | | | | | | | | | | | | | | | | | | | | | | | | | | | | | | | | | | | | | | | | | | | | | | | | | | | | | | | |
| Yellow | Y | | | | | | | | | | | | | | | | | | | | | | | | | | | | | | | | | | | | | | | | | | | | | | | | | | | | | | | | | | | | | | | | | | | | | | | | | | |
| Clear | C | | | | | | | | | | | | | | | | | | | | | | | | | | | | | | | | | | | | | | | | | | | | | | | | | | | | | | | | | | | | | | | | | | | | | | | | | | |
| Guard | Code | | | | | | | | | | | | | | | | | | | | | | | | | | | | | | | | | | | | | | | | | | | | | | | | | | | | | | | | | | | | | | | | | | | | | | | | | | |
| None | N | | | | | | | | | | | | | | | | | | | | | | | | | | | | | | | | | | | | | | | | | | | | | | | | | | | | | | | | | | | | | | | | | | | | | | | | | | |
| Yes | Y | | | | | | | | | | | | | | | | | | | | | | | | | | | | | | | | | | | | | | | | | | | | | | | | | | | | | | | | | | | | | | | | | | | | | | | | | | |
| Unit Fixing | Code | | | | | | | | | | | | | | | | | | | | | | | | | | | | | | | | | | | | | | | | | | | | | | | | | | | | | | | | | | | | | | | | | | | | | | | | | | |
| Direct Mounting Backstrap | D B | | | | | | | | | | | | | | | | | | | | | | | | | | | | | | | | | | | | | | | | | | | | | | | | | | | | | | | | | | | | | | | | | | | | | | | | | | |
| Label | Code | | | | | | | | | | | | | | | | | | | | | | | | | | | | | | | | | | | | | | | | | | | | | | | | | | | | | | | | | | | | | | | | | | | | | | | | | | |
| None | N | | | | | | | | | | | | | | | | | | | | | | | | | | | | | | | | | | | | | | | | | | | | | | | | | | | | | | | | | | | | | | | | | | | | | | | | | | |
| Yes | Y | | | | | | | | | | | | | | | | | | | | | | | | | | | | | | | | | | | | | | | | | | | | | | | | | | | | | | | | | | | | | | | | | | | | | | | | | | |
| (Please specify) | | | | | | | | | | | | | | | | | | | | | | | | | | | | | | | | | | | | | | | | | | | | | | | | | | | | | | | | | | | | | | | | | | | | | | | | | | | |
| Option | Code | | | | | | | | | | | | | | | | | | | | | | | | | | | | | | | | | | | | | | | | | | | | | | | | | | | | | | | | | | | | | | | | | | | | | | | | | | |
| Blanking Plug | P | | | | | | | | | | | | | | | | | | | | | | | | | | | | | | | | | | | | | | | | | | | | | | | | | | | | | | | | | | | | | | | | | | | | | | | | | | |
| None | N | | | | | | | | | | | | | | | | | | | | | | | | | | | | | | | | | | | | | | | | | | | | | | | | | | | | | | | | | | | | | | | | | | | | | | | | | | |
| Finish | Code | | | | | | | | | | | | | | | | | | | | | | | | | | | | | | | | | | | | | | | | | | | | | | | | | | | | | | | | | | | | | | | | | | | | | | | | | | |
| Natural Black | N | | | | | | | | | | | | | | | | | | | | | | | | | | | | | | | | | | | | | | | | | | | | | | | | | | | | | | | | | | | | | | | | | | | | | | | | | | |
| Red | R | | | | | | | | | | | | | | | | | | | | | | | | | | | | | | | | | | | | | | | | | | | | | | | | | | | | | | | | | | | | | | | | | | | | | | | | | | |
| Blue | B | | | | | | | | | | | | | | | | | | | | | | | | | | | | | | | | | | | | | | | | | | | | | | | | | | | | | | | | | | | | | | | | | | | | | | | | | | |
| Yellow | Y | | | | | | | | | | | | | | | | | | | | | | | | | | | | | | | | | | | | | | | | | | | | | | | | | | | | | | | | | | | | | | | | | | | | | | | | | | |
| Grey | G | | | | | | | | | | | | | | | | | | | | | | | | | | | | | | | | | | | | | | | | | | | | | | | | | | | | | | | | | | | | | | | | | | | | | | | | | | |
| White | W | | | | | | | | | | | | | | | | | | | | | | | | | | | | | | | | | | | | | | | | | | | | | | | | | | | | | | | | | | | | | | | | | | | | | | | | | | |
| Special Finish | S | | | | | | | | | | | | | | | | | | | | | | | | | | | | | | | | | | | | | | | | | | | | | | | | | | | | | | | | | | | | | | | | | | | | | | | | | | |
| | | <table border="1"> <tr><th>Flash Rate</th><th>Code</th></tr> <tr><td>60/min</td><td>06</td></tr> <tr><td colspan="2">Other flash rates available, please specify.</td></tr> </table> | Flash Rate | Code | 60/min | 06 | Other flash rates available, please specify. | | | | <table border="1"> <tr><th>Continuity</th><th>Code</th></tr> <tr><td>None</td><td>N</td></tr> </table> | Continuity | Code | None | N | | | | | | | | | | | | | | | | | | | | | | | | | | | | | | | | | | | | | | | | | | | | | | | | | | | | | | | | | | | | |
| Flash Rate | Code | | | | | | | | | | | | | | | | | | | | | | | | | | | | | | | | | | | | | | | | | | | | | | | | | | | | | | | | | | | | | | | | | | | | | | | | | | |
| 60/min | 06 | | | | | | | | | | | | | | | | | | | | | | | | | | | | | | | | | | | | | | | | | | | | | | | | | | | | | | | | | | | | | | | | | | | | | | | | | | |
| Other flash rates available, please specify. | | | | | | | | | | | | | | | | | | | | | | | | | | | | | | | | | | | | | | | | | | | | | | | | | | | | | | | | | | | | | | | | | | | | | | | | | | | |
| Continuity | Code | | | | | | | | | | | | | | | | | | | | | | | | | | | | | | | | | | | | | | | | | | | | | | | | | | | | | | | | | | | | | | | | | | | | | | | | | | |
| None | N | | | | | | | | | | | | | | | | | | | | | | | | | | | | | | | | | | | | | | | | | | | | | | | | | | | | | | | | | | | | | | | | | | | | | | | | | | |

Standard Models

| Series | Model Number | Order Code | Description |
|--------|--------------------|------------|--|
| XB11 | XB11UL02406RNBNNNR | 109201-001 | Strobe, Red lens, 29 candela, 24 VDC, Red Finish |
| XB11 | XB11UL02406CNBNNNR | 109201-002 | Strobe, Clear lens, 29 candela, 24 VDC, Red Finish |
| XB11 | XB11UL02406RNBNNNN | 109201-003 | Strobe, Red lens, 29 candela, 24 VDC, Black Finish |

COOPER Wheelock

273 Branchport Avenue
 Long Branch, NJ 07740
 Phone: (800) 631-2148
 Fax: (732) 222-2588
 www.cooperwheelock.com



WE ENCOURAGE AND SUPPORT NICET CERTIFICATION
 3 YEAR WARRANTY
 Made in USA