

Strobe - 355 candela, Hazardous Location XB12



Description:

These high output certified strobes have been designed for use in potentially explosive atmospheres and harsh environmental conditions. The enclosures are suitable for use offshore or onshore, where light weight combined with corrosion resistance is required.

The strobe housing is manufactured completely from a U.V. stable, glass reinforced polyester. Stainless steel screws and mounting bracket are incorporated ensuring a totally corrosion free product.

Units can be painted to customer specification and supplied with identification labels.

Features*:

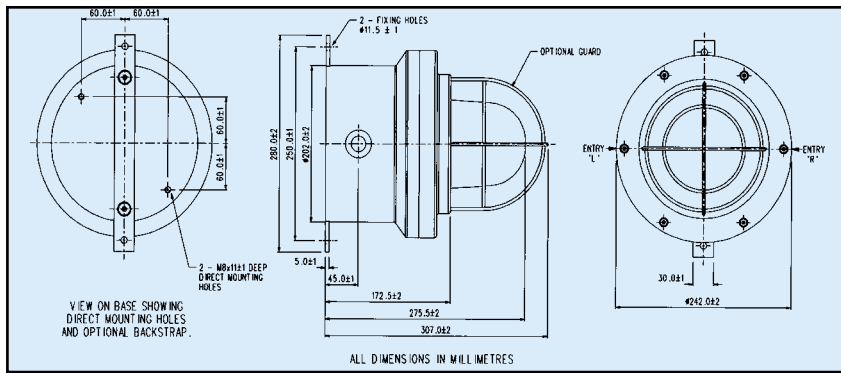
- ★ UL Listed for USA and Canada
 - Hazardous locations:
 - Class I, Div 2, Groups C & D.
 - Class I, Zones 1 & 2, AExd IIB T4 & T5.
 - Ordinary locations: Visual-Signal Device
- ★ ATEX approved
- ★ High Output 355 candela with clear lens
- ★ NEMA 4x & 6, IP66 and IP67
- ★ Certified temperature -67°F to $+158^{\circ}\text{F}$ (-55°C to $+70^{\circ}\text{C}$)
- ★ Corrosion resistant GRP
- ★ Optional stainless steel backstrap
- ★ Various lens colors
- ★ Optional lens guard
- ★ 4 wire monitored connection
- ★ 24 VDC, 110 & 240 VAC
- ★ Xenon
- ★ Twin replaceable tubes

Architects and Engineers Specifications

Strobes for hazardous locations and harsh environments shall be UL and cUL listed for Class I, Division 2, Groups C&D, and Class I, Zones 1&2, AExd IIB T4/T5 applications and shall be listed under UL Standard 1638 for Indoor/Outdoor use. They shall be constructed of lightweight, UV stable glass reinforced polyester, shall be corrosion resistant, and shall meet NEMA 4x, NEMA 6, IP 66 & IP 67 environmental requirements over a temperature range of -67°F to $+158^{\circ}\text{F}$ (-55°C to $+70^{\circ}\text{C}$).

The strobes shall be rated to flash at 1 Hz with 355 candela per flash. Rated current draw shall not exceed 1400 mA at 24 vdc. The strobe shall be capable of direct surface mounting in any direction.

Note: Due to continuous development of our products, specifications and offerings are subject to change without notice in accordance with Cooper Wheelock standard terms and conditions.



Specification

Certification:	UL Listed for USA and Canada: - Hazardous locations: Class I, Div 2 Groups C & D. Class I, Zones 1 & 2 AExd IIB T4/T5. UL Listing No: E187894. - Ordinary locations: Visual-Signal Device. UL listing No. S8128. ATEX approved: EExd IIB T4/T5 Cert. No. 99 ATEX 2196
Material:	Body: - Glass reinforced polyester (GRP). Lens: - Toughened Glass. Cover Screws + Backstrap: - Stainless steel 316.
Finish:	Natural black or painted to customer specification.
Weight:	15-1/2lb./7.0Kg.
Certified Temperature:	-67°F to +158°F (-55°C to +70°C) hazardous locations -67°F to +131°F (-55°C to +55°C) ordinary locations
Ingress Protection:	NEMA 4x & 6, IP66 & IP67.
Terminals:	6 off suitable for up to 10 AWG conductor size
Labels:	Duty/Tag Label optional.
Entries:	2 x 1/2" NPT

	DC	AC50/60 Hz	
Voltage	24	110	240
XB12 Tube Energy (Joules)			
Peak Current Consumption (mA)	1400	350	185
Effective Intensity (Cd)	355	355	355
Peak Intensity (Cd)	123691	123691	123691
Power Consumption (Watts)	33.6	38.5	44.4

NOTE: The Cd figures are for a clear lens @ 1Hz flash rate.

For Colored Lenses

Color	Red	Blue	Amber	Green	Yellow
Multiplying Factor	0.15	0.12	0.51	0.49	0.86

The photometric data has been verified by BSI. A report is available if required.

Configuration Options:

The following code is designed to help in the selection of the correct unit. Build up the reference number by inserting the code for each component into the appropriate box.

Certification	Voltage	Flash Rate	Lens Color	Lens Guard	Unit Fixing	Earth Continuity	Tag/Duty Label	Options	Unit Finish																																																																																
XB12						N																																																																																			
<table border="1"> <tr><th>Certification</th><th>Code</th></tr> <tr><td>UL</td><td>UL</td></tr> <tr><td>UL (ordinary locations)</td><td>UW</td></tr> </table>	Certification	Code	UL	UL	UL (ordinary locations)	UW	<table border="1"> <tr><th>Voltage</th><th>Code</th></tr> <tr><td>24V d.c.</td><td>024</td></tr> <tr><td>110V a.c.</td><td>110</td></tr> <tr><td>240V a.c.</td><td>240</td></tr> </table>	Voltage	Code	24V d.c.	024	110V a.c.	110	240V a.c.	240	<table border="1"> <tr><th>Flash Rate</th><th>Code</th></tr> <tr><td>60/min</td><td>06</td></tr> <tr><td colspan="2">Other flash rates available, please specify.</td></tr> </table>	Flash Rate	Code	60/min	06	Other flash rates available, please specify.		<table border="1"> <tr><th>Color</th><th>Code</th></tr> <tr><td>Red</td><td>R</td></tr> <tr><td>Blue</td><td>B</td></tr> <tr><td>Green</td><td>G</td></tr> <tr><td>Amber</td><td>A</td></tr> <tr><td>Yellow</td><td>Y</td></tr> <tr><td>Clear</td><td>C</td></tr> </table>	Color	Code	Red	R	Blue	B	Green	G	Amber	A	Yellow	Y	Clear	C	<table border="1"> <tr><th>Guard</th><th>Code</th></tr> <tr><td>None</td><td>N</td></tr> <tr><td>Yes</td><td>Y</td></tr> </table>	Guard	Code	None	N	Yes	Y	<table border="1"> <tr><th>Unit Fixing</th><th>Code</th></tr> <tr><td>Direct Mounting</td><td>D</td></tr> <tr><td>Backstrap</td><td>B</td></tr> </table>	Unit Fixing	Code	Direct Mounting	D	Backstrap	B	<table border="1"> <tr><th>Continuity</th><th>Code</th></tr> <tr><td>None</td><td>N</td></tr> </table>	Continuity	Code	None	N	<table border="1"> <tr><th>Label</th><th>Code</th></tr> <tr><td>None</td><td>N</td></tr> <tr><td>Yes</td><td>Y*</td></tr> <tr><td colspan="2">*(Please specify)</td></tr> </table>	Label	Code	None	N	Yes	Y*	*(Please specify)		<table border="1"> <tr><th>Options</th><th>Code</th></tr> <tr><td>Blanking Plug</td><td>P</td></tr> <tr><td>None</td><td>N</td></tr> </table>	Options	Code	Blanking Plug	P	None	N	<table border="1"> <tr><th>Finish</th><th>Code</th></tr> <tr><td>Natural Black</td><td>N</td></tr> <tr><td>Red</td><td>R</td></tr> <tr><td>Blue</td><td>B</td></tr> <tr><td>Yellow</td><td>Y</td></tr> <tr><td>Grey</td><td>G</td></tr> <tr><td>White</td><td>W</td></tr> <tr><td>Special Finish</td><td>S</td></tr> </table>	Finish	Code	Natural Black	N	Red	R	Blue	B	Yellow	Y	Grey	G	White	W	Special Finish	S
Certification	Code																																																																																								
UL	UL																																																																																								
UL (ordinary locations)	UW																																																																																								
Voltage	Code																																																																																								
24V d.c.	024																																																																																								
110V a.c.	110																																																																																								
240V a.c.	240																																																																																								
Flash Rate	Code																																																																																								
60/min	06																																																																																								
Other flash rates available, please specify.																																																																																									
Color	Code																																																																																								
Red	R																																																																																								
Blue	B																																																																																								
Green	G																																																																																								
Amber	A																																																																																								
Yellow	Y																																																																																								
Clear	C																																																																																								
Guard	Code																																																																																								
None	N																																																																																								
Yes	Y																																																																																								
Unit Fixing	Code																																																																																								
Direct Mounting	D																																																																																								
Backstrap	B																																																																																								
Continuity	Code																																																																																								
None	N																																																																																								
Label	Code																																																																																								
None	N																																																																																								
Yes	Y*																																																																																								
*(Please specify)																																																																																									
Options	Code																																																																																								
Blanking Plug	P																																																																																								
None	N																																																																																								
Finish	Code																																																																																								
Natural Black	N																																																																																								
Red	R																																																																																								
Blue	B																																																																																								
Yellow	Y																																																																																								
Grey	G																																																																																								
White	W																																																																																								
Special Finish	S																																																																																								

Standard Models

Series	Model Number	Order Code	Description
XB12	XB12UL02406RNBNNNR	109204-001	Strobe, Red Lens, 355 candela, 24 VDC, Red finish
XB12	XB12UL02406CNBNNNR	109204-002	Strobe, Clear Lens, 355 candela, 24 VDC, Red finish
XB12	XB12UL02406RNBNNNN	109204-003	Strobe, Red Lens, 355 candela, 24 VDC, Black finish

COOPER Wheelock

273 Branchport Avenue
 Long Branch, NJ 07740
 Phone: (800) 631-2148
 Fax: (732) 222-2588
 www.cooperwheelock.com



WE ENCOURAGE AND SUPPORT NICET CERTIFICATION
 3 YEAR WARRANTY
 Made in USA