



**NONRESIDENT
TRAINING
COURSE**



June 1992

Tools and Their Uses

NAVEDTRA 14256

Although the words “he,” “him,” and “his” are used sparingly in this course to enhance communication, they are not intended to be gender driven or to affront or discriminate against anyone.

NAVAL EDUCATION AND TRAINING PROGRAM
MANAGEMENT SUPPORT ACTIVITY
PENSACOLA, FLORIDA 32559-5000

ERRATA NO. 1

May 1993

Specific Instructions and Errata for
Nonresident Training Course

TOOLS AND THEIR USES

1. TO OBTAIN CREDIT FOR DELETED QUESTIONS, SHOW THIS ERRATA TO YOUR LOCAL-COURSE ADMINISTRATOR (ESO/SCORER). THE LOCAL COURSE ADMINISTRATOR (ESO/SCORER) IS DIRECTED TO CORRECT THE ANSWER KEY FOR THIS COURSE BY INDICATING THE QUESTIONS DELETED.

2. No attempt has been made to issue corrections for errors in typing, punctuation, etc., which will not affect your ability to answer the question.

3. Assignment Booklet

Delete the following questions and write "Deleted" across all four of the boxes for that question:

Question

2-7

2-54

Question

5-43

5-46

PREFACE

By enrolling in this self-study course, you have demonstrated a desire to improve yourself and the Navy. Remember, however, this self-study course is only one part of the total Navy training program. Practical experience, schools, selected reading, and your desire to succeed are also necessary to successfully round out a fully meaningful training program.

THE COURSE: This self-study course is organized into subject matter areas, each containing learning objectives to help you determine what you should learn along with text and illustrations to help you understand the information. The subject matter reflects day-to-day requirements and experiences of personnel in the rating or skill area. It also reflects guidance provided by Enlisted Community Managers (ECMs) and other senior personnel, technical references, instructions, etc., and either the occupational or naval standards, which are listed in the *Manual of Navy Enlisted Manpower Personnel Classifications and Occupational Standards*, NAVPERS 18068.

THE QUESTIONS: The questions that appear in this course are designed to help you understand the material in the text.

VALUE: In completing this course, you will improve your military and professional knowledge. Importantly, it can also help you study for the Navy-wide advancement in rate examination. If you are studying and discover a reference in the text to another publication for further information, look it up.

Published by
NAVAL EDUCATION AND TRAINING
PROFESSIONAL DEVELOPMENT
AND TECHNOLOGY CENTER

**NAVSUP Logistics Tracking Number
0504-LP-026-8900**

Sailor's Creed

"I am a United States Sailor.

I will support and defend the Constitution of the United States of America and I will obey the orders of those appointed over me.

I represent the fighting spirit of the Navy and those who have gone before me to defend freedom and democracy around the world.

I proudly serve my country's Navy combat team with honor, courage and commitment.

I am committed to excellence and the fair treatment of all."

INSTRUCTIONS FOR TAKING THE COURSE

ASSIGNMENTS

The text pages that you are to study are listed at the beginning of each assignment. Study these pages carefully before attempting to answer the questions. Pay close attention to tables and illustrations and read the learning objectives. The learning objectives state what you should be able to do after studying the material. Answering the questions correctly helps you accomplish the objectives.

SELECTING YOUR ANSWERS

Read each question carefully, then select the BEST answer. You may refer freely to the text. The answers must be the result of your own work and decisions. You are prohibited from referring to or copying the answers of others and from giving answers to anyone else taking the course.

SUBMITTING YOUR ASSIGNMENTS

To have your assignments graded, you must be enrolled in the course with the Nonresident Training Course Administration Branch at the Naval Education and Training Professional Development and Technology Center (NETPDTC). Following enrollment, there are two ways of having your assignments graded: (1) use the Internet to submit your assignments as you complete them, or (2) send all the assignments at one time by mail to NETPDTC.

Grading on the Internet: Advantages to Internet grading are:

- you may submit your answers as soon as you complete an assignment, and
- you get your results faster; usually by the next working day (approximately 24 hours).

In addition to receiving grade results for each assignment, you will receive course completion confirmation once you have completed all the

assignments. To submit your assignment answers via the Internet, go to:

<http://courses.cnet.navy.mil>

Grading by Mail: When you submit answer sheets by mail, send all of your assignments at one time. Do NOT submit individual answer sheets for grading. Mail all of your assignments in an envelope, which you either provide yourself or obtain from your nearest Educational Services Officer (ESO). Submit answer sheets to:

COMMANDING OFFICER
NETPDTC N331
6490 SAUFLEY FIELD ROAD
PENSACOLA FL 32559-5000

Answer Sheets: All courses include one “scannable” answer sheet for each assignment. These answer sheets are preprinted with your SSN, name, assignment number, and course number. Explanations for completing the answer sheets are on the answer sheet.

Do not use answer sheet reproductions: Use only the original answer sheets that we provide—reproductions will not work with our scanning equipment and cannot be processed.

Follow the instructions for marking your answers on the answer sheet. Be sure that blocks 1, 2, and 3 are filled in correctly. This information is necessary for your course to be properly processed and for you to receive credit for your work.

COMPLETION TIME

Courses must be completed within 12 months from the date of enrollment. This includes time required to resubmit failed assignments.

PASS/FAIL ASSIGNMENT PROCEDURES

If your overall course score is 3.2 or higher, you will pass the course and will not be required to resubmit assignments. Once your assignments have been graded you will receive course completion confirmation.

If you receive less than a 3.2 on any assignment and your overall course score is below 3.2, you will be given the opportunity to resubmit failed assignments. **You may resubmit failed assignments only once.** Internet students will receive notification when they have failed an assignment--they may then resubmit failed assignments on the web site. Internet students may view and print results for failed assignments from the web site. Students who submit by mail will receive a failing result letter and a new answer sheet for resubmission of each failed assignment.

COMPLETION CONFIRMATION

After successfully completing this course, you will receive a letter of completion.

ERRATA

Errata are used to correct minor errors or delete obsolete information in a course. Errata may also be used to provide instructions to the student. If a course has an errata, it will be included as the first page(s) after the front cover. Errata for all courses can be accessed and viewed/downloaded at:

<http://www.advancement.cnet.navy.mil>

STUDENT FEEDBACK QUESTIONS

We value your suggestions, questions, and criticisms on our courses. If you would like to communicate with us regarding this course, we encourage you, if possible, to use e-mail. If you write or fax, please use a copy of the Student Comment form that follows this page.

For subject matter questions:

E-mail: n314.products@cnet.navy.mil
Phone: Comm: (850) 452-1001, Ext. 1826
DSN: 922-1001, Ext. 1826
FAX: (850) 452-1370
(Do not fax answer sheets.)
Address: COMMANDING OFFICER
NETPDTC (CODE N314)
6490 SAUFLEY FIELD ROAD
PENSACOLA FL 32509-5237

For enrollment, shipping, grading, or completion letter questions

E-mail: fleetservices@cnet.navy.mil
Phone: Toll Free: 877-264-8583
Comm: (850) 452-1511/1181/1859
DSN: 922-1511/1181/1859
FAX: (850) 452-1370
(Do not fax answer sheets.)
Address: COMMANDING OFFICER
NETPDTC (CODE N331)
6490 SAUFLEY FIELD ROAD
PENSACOLA FL 32559-5000

NAVAL RESERVE RETIREMENT CREDIT

If you are a member of the Naval Reserve, you will receive retirement points if you are authorized to receive them under current directives governing retirement of Naval Reserve personnel. For Naval Reserve retirement, this course is evaluated at 8 points. (Refer to *Administrative Procedures for Naval Reservists on Inactive Duty*, BUPERSINST 1001.39, for more information about retirement points.)

COURSE OBJECTIVES

In completing this nonresident training course, the student will demonstrate a knowledge of the use and care of various hand tools and measuring tools by correctly answering questions on the following: the types and uses of a large number of hand tools, safety precautions that must be followed when using hand tools, general care of hand tools, and repair procedures for some of the hand tools.

Student Comments

Course Title: Tools and Their Uses

NAVEDTRA: 14256 **Date:** _____

We need some information about you:

Rate/Rank and Name: _____ SSN: _____ Command/Unit _____

Street Address: _____ City: _____ State/FPO: _____ Zip _____

Your comments, suggestions, etc.:

<p>Privacy Act Statement: Under authority of Title 5, USC 301, information regarding your military status is requested in processing your comments and in preparing a reply. This information will not be divulged without written authorization to anyone other than those within DOD for official use in determining performance.</p>
--

TECHNICAL MANUAL
NO. 9-243
NAVY M6290-A-J-MAN-010
TECHNICAL ORDER
NO. 32-1-101
TECHNICAL MANUAL
NO. 10209-1011

DEPARTMENTS OF THE ARMY, NAVY, AIR FORCE
AND MARINE CORPS

WASHINGTON, DC, 12 December 1983

USE AND CARE OF HAND TOOLS AND MEASURING TOOLS

REPORTING ERRORS AND RECOMMENDING IMPROVEMENTS

You can help improve this manual. If you find any mistakes or if you know of a way to improve the procedures, please let us know. Mail your letter, DA Form 2028 (Recommended Changes to Publications and Blank Forms), or DA Form 2028-2, located in the back of this manual direct to: Commander, US Army Armament, Munitions and Chemical Command, ATTN: AMSMC-MAS, Rock Island, IL 61299-6000. A reply will be furnished directly to you.

CHAPTER		Page
	1. Introduction	1-1
	2. Safety and safety equipment	2-1
	3. Reading measuring scales	3-1
	4. Toolboxes	4-1
	5. Dividers..	5-1
	6. Calipers	6-1
	7. Micrometers	7-1
	8. Rules and steel tapes	8-1
	9. Miscellaneous measuring tools	9-1
	10. Levels	10-1
	11. Plumb bobs	11-1
	12. Scribes	12-1
	13. Squares	13-1
	14. Surface, depth, and height gages	14-1
	15. Ring and snap gages and gage blocks	15-1
	16. Miscellaneous measuring gages	16-1
	17. Pliers and tongs	17-1
	18. Vises	18-1
	19. Clamps	19-1
	20. Jacks	20-1
	21. Hammers, mallets, and mauls	21-1
	22. Screwdrivers	22-1
	23. Manual drills	23-1
	24. Screw and tap extractors	24-1
	25. Wrenches	25-1
	26. Chisels	26-1
	27. Punches	27-1
	28. Files	28-1
	29. Grinders and sharpening stones	29-1
	30. Scrapers	30-1
	31. Awls	31-1
	32. Bolt and cable cutters	32-1
	33. Glasscutters	33-1
	34. Knives	34-1
	35. Pipe cutting and threading tools	35-1
	36. Tube cutting and flaring tools	36-1

*This manual supersedes TM 9-243.14 September 1960, and TO 32-I-101.19 April 1945.

	Page
37. Shears and nippers	37-1
38. Taps and dies.....	38-1
39. Reamers	39-1
40. Benders	40-1
41. Pullers.....	41-1
42. Bars	42-1
43. Mattocks	43-1
44. Gasket cutters	44-1
45. Chopping tools	45-1
46. Saws.....	46-1
47. Brushcutting tools.....	47-1
48. Timber handling tools.....	48-1
49. Climbing tools.....	49-1
50. Planes.....	50-1
51. Digging tools	51-1
52. Electrical power tools	52-1
53. Miscellaneous tools	53-1
APPENDIX A References.....	A-1
ALPHABETICAL INDEX	Index 1

Chapter 1 INTRODUCTION

PURPOSE

This manual provides information on the use and care of selected hand tools and measuring tools. It will explain the types and uses of a large number of tools, a practical application of a selected group of tools, safety requirements, general care, and limited repair. A user must have, choose, and use the correct tools in order to do the work quickly, accurately, and safely. Without the proper tools and knowledge of how to use them, the user wastes time, reduces efficiency, and may face injury.

HOW TO USE THIS MANUAL

When you need information about a specific tool or operation, simply refer to the alphabetical index at the end of the manual and turn to the pages that apply. The introduction to each tool chapter will furnish information on: How to choose and use the tools covered, the various types of tools available, and an example of their use. Instructions on the care of tools and safety precautions follow.

Chapter 2 SAFETY

SAFETY AND SAFETY EQUIPMENT

No matter how small the job, safety must be practiced at all times. A tool may be efficient, essential, time-saving or even convenient; but it is also dangerous. When using any hand tool you must use it correctly, following the methods prescribed in this manual. You must also be alert for any conditions that might endanger yourself or fellow workers. Take the time necessary to acquaint yourself with the safety guidelines in this chapter. Remember, you are the most important part of safety procedures.

INDEX

<i>Item</i>	<i>Page</i>
SAFETY RULES (GENERAL)	2-1
Tool habits	2-1
SAFETY RULES (POWER TOOLS)	2-3
SAFETY EQUIPMENT	2-3
Safety shoes	2-3
Eye protection	2-4
Helmets	2-4
Gloves	2-4
Safety belts and safety straps.	2-4
Ear protection	2-4

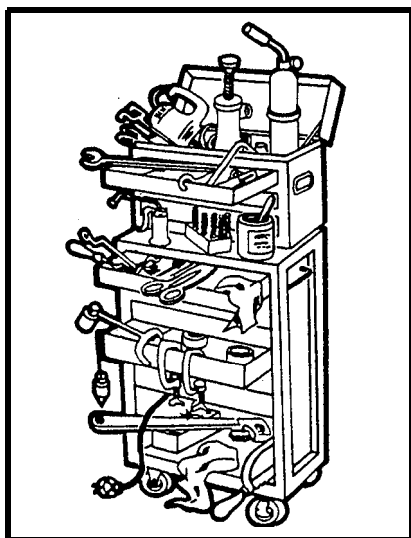
Section I. SAFETY RULES (GENERAL)

There will undoubtedly be a safety program to follow for the shop or area in which you will be working. The following general safety rules are furnished as a guide.

1. SUPPORT your local safety program and take an active part in safety meetings.
2. INSPECT tools and equipment for safe conditions before starting work.
3. ADVISE your supervisor promptly of any unsafe conditions or practices.
4. LEARN the safe way to do your job before you start.
5. THINK safety, and ACT safety at all times.
6. OBEY safety rules and regulations-they are for your protection.
7. WEAR proper clothing and protective equipment.
8. CONDUCT yourself properly at all times-horseplay is prohibited.
9. OPERATE only the equipment you are authorized to use.
10. REPORT any injury immediately to your supervisor.

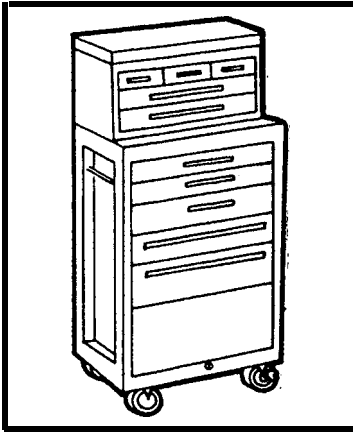
In addition to the above, there are other good tool habits which will help you perform your work more efficiently as well as safely.

TOOL HABITS

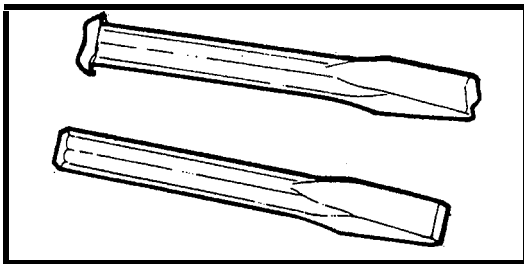


“A place for everything and everything in its place” is just common sense. You cannot do an efficient, fast repair job if you have to stop and look around for each tool that you need. The following rules, if applied, will make your job easier.

TOOL HABITS - Continued

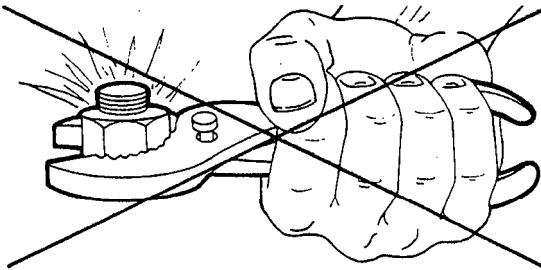


KEEP EACH TOOL IN ITS PROPER STORAGE PLACE. A tool is useless if you cannot find it. If you return each tool to its proper place, you will know where it is when you need it.

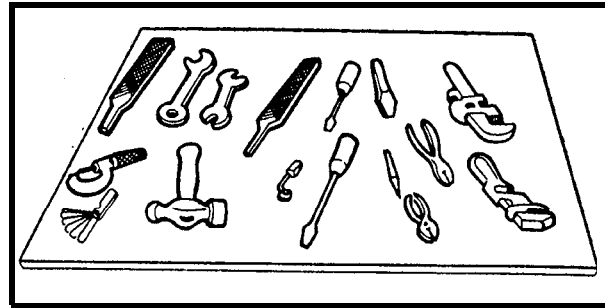


KEEP YOUR TOOLS IN GOOD CONDITION. Keep them free of rust, nicks, burrs, and breaks.

KEEP YOUR TOOL SET COMPLETE. If you are issued a tool box, each tool should be placed in it when not in use. If possible, the box should be locked and stored in a designated area. Keep an inventory list in the box and check it after each job. This will help you to keep track of your tools.



USE EACH TOOL ONLY ON THE JOB FOR WHICH IT WAS DESIGNED. If you use the wrong tool to make an adjustment, the result will probably be unsatisfactory. For example, if you use a socket wrench that is too big, you will round off the corners of the wrench or nut. If this rounded wrench or nut is not replaced immediately, the safety of your equipment may be endangered in an emergency.



KEEP YOUR TOOLS WITHIN EASY REACH AND WHERE THEY CANNOT FALL ON THE FLOOR OR ON MACHINERY. Avoid placing tools anywhere above machinery or electrical apparatus. Serious damage will result if the tool falls into the machinery after the equipment is turned on or running.

NOTE

Return broken tools to section chief.

NEVER USE DAMAGED TOOLS. Notify your supervisor of broken or damaged tools. A battered screwdriver may slip and spoil the the screw slot or cause painful injury to the user. A gage strained out of shape will result in inaccurate measurements.

Remember, a worker's efficiency is often a direct result of the condition of the tools being used. Workers are often judged by the manner in which they handle and care for their tools. You should care for hand tools the same way you care for personal property. Always keep hand tools clean and free from dirt, grease, and foreign matter. After use, return tools promptly to their proper places in the tool box. Improve your own efficiency by organizing your tools so that those used most frequently can be reached easily without sorting through the entire contents of the box. Avoid accumulating unnecessary items.

Section II. SAFETY RULES (POWER TOOLS)

Safety is a very important factor in the use of power tools and cannot be overemphasized. By observing the following safety guidelines, you can ensure maximum benefits from the tools you use and reduce to a minimum the chances of serious injury.

1. Never operate any power equipment unless you are completely familiar with its controls and features.
2. Inspect all portable power tools before using them. See that they are clean and in good condition.
3. Make sure there is plenty of light in the work area. Never work with power tools in dark areas where you cannot see clearly.
4. Before connecting a power tool to a power source, be sure the tool switch is in the "OFF" position.
5. When operating a power tool, give it your FULL and UNDIVIDED ATTENTION.
6. DO NOT DISTRACT OR IN ANY WAY DISTURB another person while they are operating a power tool.
7. Never try to clear a jammed power tool until it is disconnected from the power source.
8. After using a power tool, turn off the power, disconnect the power source, wait for all movement of the tool to stop, and then remove all waste and scraps from the work area. Store the tool in its proper place.
9. Never plug the power cord of a portable electric tool into a power source before making sure that the source has the correct voltage and type of current called for on the nameplate of the tool.
10. Do not allow power cords to come in contact with sharp objects, nor should they kink or come in contact with oil, grease, hot surfaces, or chemicals.
11. Never use a damaged cord. Replace it immediately.
12. Check electrical cables and cords frequently for overheating. Use only approved extension cords, if needed.
13. See that all cables and cords are positioned carefully so they do not become tripping hazards.
14. Treat electricity with respect. If water is present in the area of electrical tool operation, be extremely cautious and if necessary, disconnect the power tool.

Section III. SAFETY EQUIPMENT

Safety equipment is for you. It will protect you from injury and may possibly save your life. Some of the more common types of safety equipment for your personal protection follow.

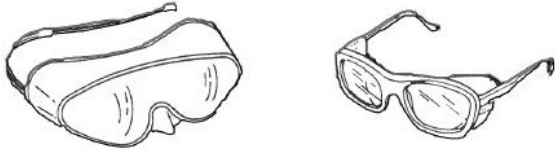
SAFETY SHOES



Safety shoes protect and prevent injury or loss of toes. Some safety shoes are designed to limit damage to your toes from falling objects. A steel plate is placed in the toe area of such shoes so that your toes are not crushed if an object falls on them. Other safety shoes are designed for use where danger from sparking could cause an explosion. Such danger is minimized by elimination of all metallic nails and eyelets and the use of soles which do not cause static electricity.

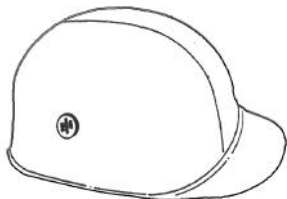
SAFETY EQUIPMENT - Continued

EYE PROTECTION



Proper eye protection is of the highest importance for all personnel. Eye protection is necessary because of hazards caused by infrared and ultraviolet radiation, or by flying objects such as sparks, globules of molten metal, or chipped concrete and wood, etc. These hazards are always present during welding, cutting, soldering, chipping, grinding, and a variety of other operations. It is absolutely necessary for you to use eye protection devices such as helmets, handshields, and goggles during eye-hazard operations. Appropriate use of goggles will limit eye hazards. Some goggles have plastic windows which resist shattering upon impact. Others are designed to limit harmful infrared and ultraviolet radiation from arcs or flames by the use of appropriate filter lenses. Remember, eye damage can be extremely painful. Protect your eyes.

HELMETS

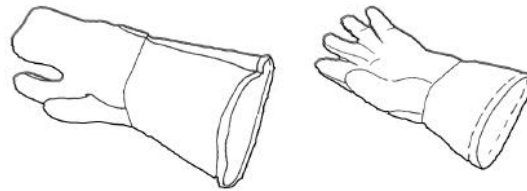


Protective helmets (hard hats) come in a variety of shapes. They may be made of tough polyethylene or polycarbonate, one of the toughest hat materials yet developed. When falling objects strike the hats, the shock-absorbing suspension capabilities minimize injuries.

Regular hard hats must be insulated so that personnel may be protected from accidental head contacts with electrical circuits and equipment at comparatively low voltages (less than 2200 volts).

Electrical workers requiring head protection necessary to their duties or to the working environment, must wear insulating safety helmets or all-purpose protective helmets which must be capable of withstanding 20,000 volt minimum proof-tests.

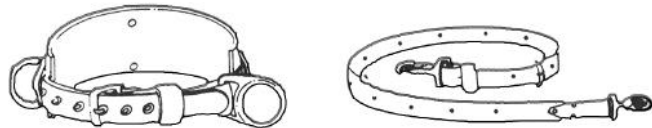
GLOVES



Use gloves whenever you are required to handle rough, scaly, or splintery objects. Two types are shown above. Special flameproof gloves are designed for gas and electric welding in order to limit danger and damage from sparks and other hot, flying objects. Personnel working with electricity are usually required to wear insulating rubber gloves.

Be sure to follow all regulations prescribed for the use of gloves. Gloves must not be worn around rotating machinery unless sharp or rough material is being handled. If such is the case, extreme care should be used to prevent the gloves from being caught in the machinery.

SAFETY BELTS AND SAFETY STRAPS



The safety belt and safety strap are a must when working in high places. The safety belt, strapped around the waist, contains pockets for small tools. It also has two D-rings used to attach the safety strap. The safety strap is a nylon-reinforced leather belt that is placed around the item to be climbed. It is then attached to the two D-rings on the safety belt. Detailed use of the safety belt and safety strap is described in chapter 49 of this manual.

EAR PROTECTION



Proper hearing protection is a must when working with or around certain types of power tools. Some tools are capable of producing dangerously high noise levels which, if ignored, can result in serious hearing loss or injury. Use the hearing protection regularly.

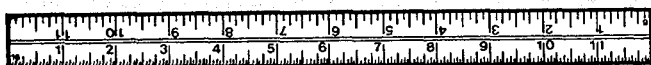
Chapter 3 READING MEASURING SCALES

The following chapter is designed to provide a basic understanding of how to read scales, dials, and gages. It will not provide any information on the actual use of the tools. Reference to this chapter will be made throughout the remainder of the manual.

INDEX

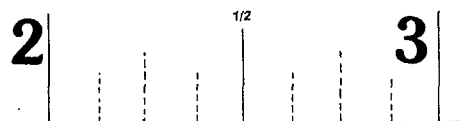
<i>Item</i>	<i>Page</i>
Reading the scale of a rule or tape	3-1
Reading a metric rule	3-3

READING THE SCALE OF A RULE OR TAPE



The more common type rules and tapes are divided into fractions, inches, and feet. Explained here are the scales on a 12-inch steel machinist's rule.

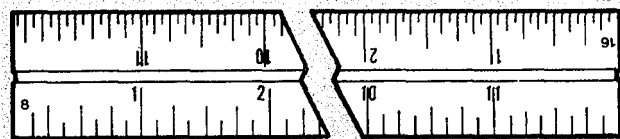
The rule is divided into twelve inches. The inches are further divided into eighths, sixteenths, thirty-seconds, and sixty-fourths.



Look at the section between the "2" and the "3" on the edge marked with an "8" for eighths.

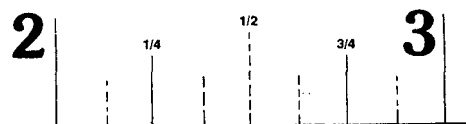
There are eight equally spaced lines. The lengths of these lines differ and indicate different fractions or parts of an inch.

The longest line is in the center and is equal to $\frac{4}{8}$ or $\frac{1}{2}$ inch.

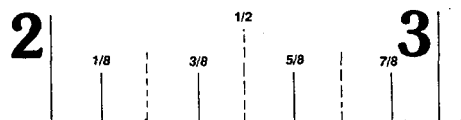


Look at the rule. There is a small numeral marked on the end of the rule nearest the 1-inch mark. This numeral indicates the number of divisions per inch.

When referring to fractions, always use the reduced name. This is the smallest numerator (top number) and denominator (bottom number). For example, $\frac{3}{6}$ can be reduced to $\frac{1}{2}$ by dividing both the top and bottom by 3. Generally, fractions may be reduced to their lowest forms by repeated division by 2 or 3.



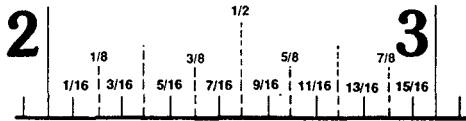
Each half-inch is divided in half by a slightly shorter line indicating $\frac{2}{8}$ or $\frac{1}{4}$ on the left and $\frac{6}{8}$ or $\frac{3}{4}$ on the right.



Each $\frac{1}{4}$ inch is divided in half by the shortest line which indicates $\frac{1}{8}$ inch, and will indicate $\frac{1}{8}$, $\frac{3}{8}$, $\frac{5}{8}$ and $\frac{7}{8}$.

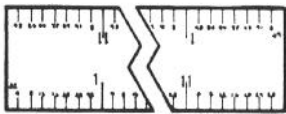
READING THE SCALE OF A RULE OR TAPE - Continued

Now turn the rule and look at the edge with a 16 marked on it.

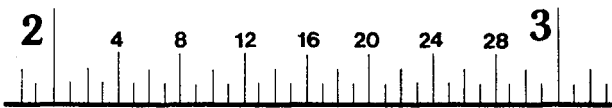


There are now 16 equal divisions between each inch. Since $2/16$ reduces to $1/8$, divide each $1/8$ into two equal parts producing $1/16$, $3/16$, $5/16$, $7/16$, $9/16$, $11/16$, $13/16$, and $15/16$.

Common tapes and rules usually are not graduated smaller than sixteenths. However, precision measurements require smaller graduations.



Look at the back of the machinist's rule. Find the edge marked 32 and once again look between the numbers "2" and "3."



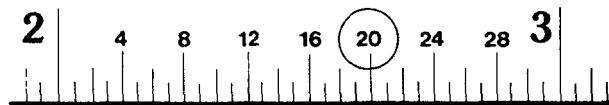
To read this rule, remember:

1. Sixteen divisions ($16/32$) are equal to $1/2$ inch.
2. Eight divisions ($8/32$) are equal to $1/4$ inch.
3. Four divisions ($4/32$) are equal to $1/8$ inch.
4. Two divisions ($2/32$) are equal to $1/16$ inch.

To read $2-5/8$ inches on the scale, first find the two inch mark, then determine the number of 32nds in $5/8$.

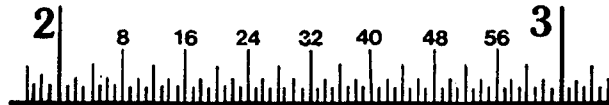
To determine the number of 32nds in $5/8$, remember four divisions or $4/32$ are equal to $1/8$ inch. If $1/8$ is equal to $4/32$, then $5/8$ is equal to $20/32$ as shown:

$$\begin{aligned} \text{If } 1/8 &= 4/32, \text{ then } 5/8 = 20/32 \\ &(4 \times 5 = 20) \end{aligned}$$



1. Find the $20/32$ reading on the scale as shown above.
2. Write the new fraction $2-20/32$ inches.

Finally, look at the edge marked 64. Each inch is now divided into 64 equal parts.



To read this rule, remember:

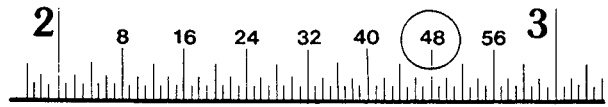
1. Thirty-two divisions ($32/64$) are equal to $1/2$ inch.
2. Sixteen divisions ($16/64$) are equal to $1/4$ inch.
3. Eight divisions ($8/64$) are equal to $1/8$ inch.
4. Four divisions ($4/64$) are equal to $1/16$ inch.
5. Two divisions ($2/64$) are equal to $1/32$ inch.

To read $2-3/4$ inches on this scale, first find the two inch mark. Next, determine the number of 64ths in $3/4$.

READING THE SCALE OF A RULE OR TAPE - Continued

To determine the number of 64ths in $\frac{3}{4}$, remember every sixteen divisions or $\frac{16}{64}$ are equal to $\frac{1}{4}$ inch. If $\frac{1}{4}$ is equal to $\frac{16}{64}$, then $\frac{3}{4}$ is equal to $\frac{48}{64}$ as shown:

$$\begin{aligned} \text{If } \frac{1}{4} &= \frac{16}{64}, \text{ then } \frac{3}{4} = \frac{48}{64} \\ & (16 \times 3 = 48) \end{aligned}$$

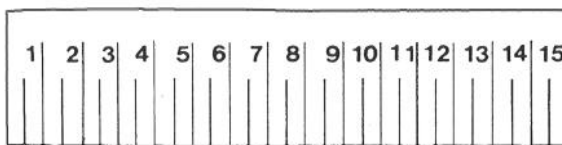
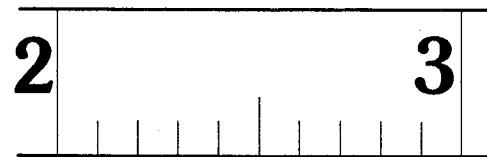


1. Locate the number 48 between the 2 and 3 inch marks on the scale.
2. Write the new fraction $\frac{2-48}{64}$.

READING A METRIC RULE

The metric system is based upon multiples of ten. For example, there are 10 millimeters in a centimeter and 100 centimeters in a meter.

The example provided will deal only with millimeters (mm).



The meter will become the starting point and from this, two additional scales can be developed for measuring. A meter divided by 100 equals a centimeter (cm), $\frac{1}{100}$ or 0.01 meter.

Next divide a centimeter (cm) by 10. This will equal a millimeter (mm), $\frac{1}{1000}$ or 0.001 meter.

Now let's look at a section of the rule between 2 cm and 3 cm.

There are 10 equal divisions which are equal to $\frac{1}{10}$ cm or 1 mm.

To measure 26 mm, first locate the longest line designated 2 cm or 20 mm.

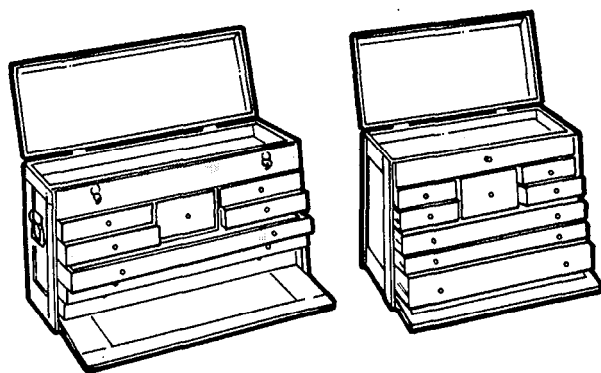
Next count 6 additional lines to find 26 mm.

A table for converting from US Common to metric or from metric to US Common may be found inside the back cover of this manual.

Chapter 4 TOOL BOXES

HOW TO CHOOSE AND USE THEM

The "Types and Uses" section provides you with a list of some of the types of tool boxes. These pages should help you select the right tool box to do the job.



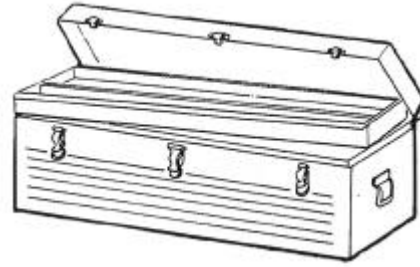
INDEX

<i>Item</i>	<i>Page</i>
TYPES AND USES	4-2
Mechanic's tool box	4-2
Hardwood machinist's tool box	4-2
Portable carpenter's tool box	4-2
Cantilevered tray tool box	4-2
Removable tray tool box	4-2
Five-drawer tool box	4-2

TYPES AND USES

Tool boxes are used for storing tools. They are usually made of steel, but wood and plastics are also used. Portable tool boxes are used for carrying and storing a variety of hand tools. Both special and common tools, such as mechanic's, electrician, and carpentry tools can be found in tool boxes. Chest-type tool boxes generally contain larger tools, such as specialized automotive tools or machinist's tools, requiring a more permanent location. Some larger tool boxes are mounted on wheels so they can be moved easily from place to place. Tool bags are usually made of canvas. Like the boxes, they are available in a variety of sizes and serve similar functions.

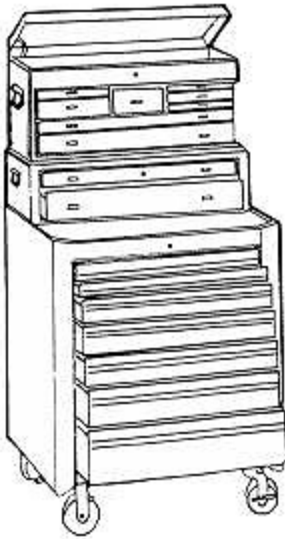
Examples of tool boxes are illustrated below.



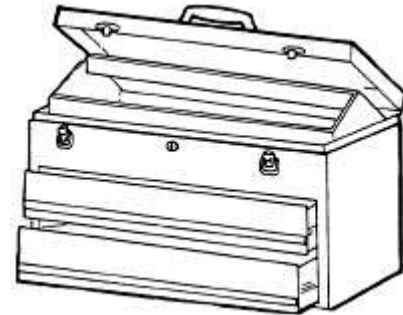
PORTABLE CARPENTER'S TOOL BOX



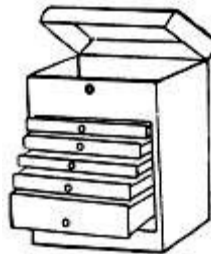
CANTILEVERED TRAY TOOL BOX



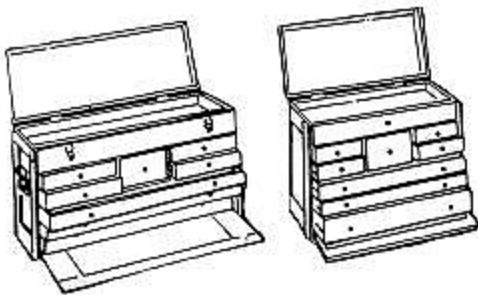
MECHANIC'S TOOL BOX (Chest Type)



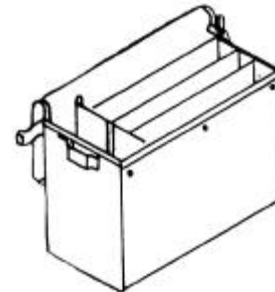
REMOVABLE TRAY TOOL BOX



FIVE-DRAWER
PORTABLE TOOL BOX



HARDWOOD MACHINIST'S TOOL BOX (Chest Type)



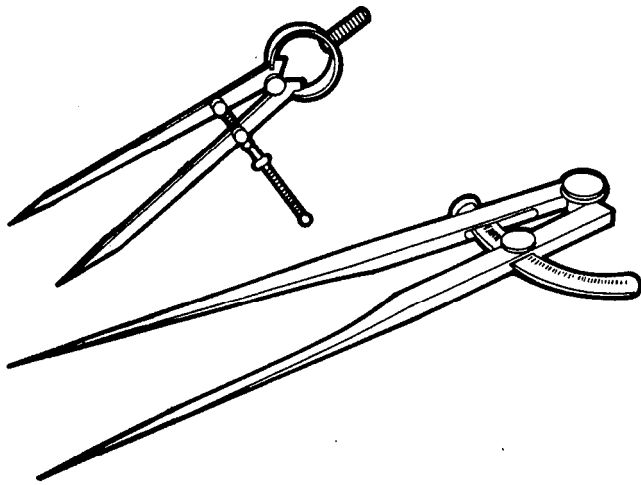
CANVAS TOOL BAG

Chapter 5 DIVIDERS

HOW TO CHOOSE AND USE THEM

The "Types and Uses" section provides you with a list of the types of dividers. These pages should help you select the right dividers for the job.

The "Using Dividers" section tells you how to use the dividers to scribe a circle of a desired radius. The "Care" procedures tell you how to care for the dividers.

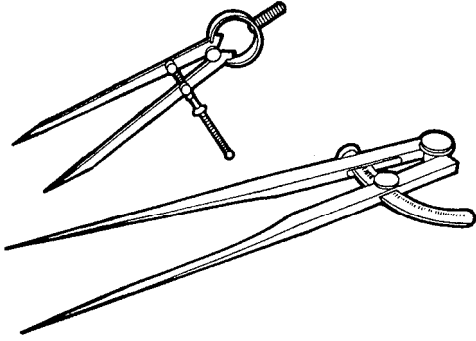


INDEX

<i>Item</i>	<i>Page</i>
TYPES AND USES	5-2
Spring dividers	5-2
Wing dividers	5-2
USING	5-3
CARE	5-3

TYPES AND USES

Dividers are instruments used for measuring distances between two points, transferring or comparing measurements directly from a rule, or for scribing an arc, radius, or circle.



SPRING DIVIDER



A spring divider consists of two sharp points at the end of straight legs, held apart by a spring and adjusted by means of a screw and nut. The spring divider is available in sizes from 3 to 10 inches in length.

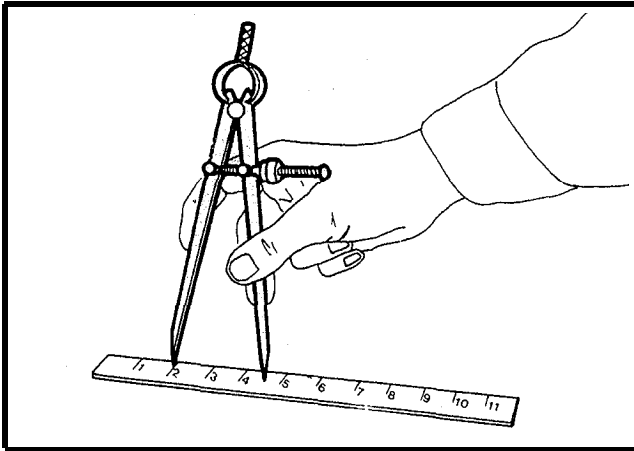
WING DIVIDER



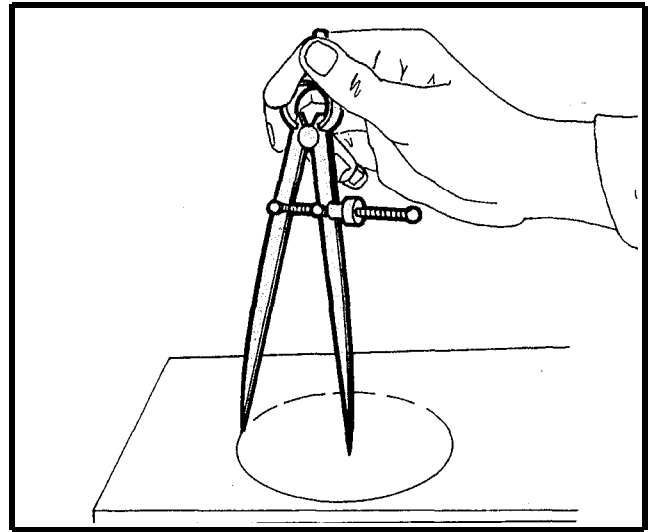
A wing-type divider has a steel bar that separates the legs, a lock nut for setting a rough measurement, and an adjustment screw for fine adjustments. The wing-type divider is available in 6, 8, and 12 inch lengths.

Also available is a divider with one removable leg, so that a pencil may be inserted.

USING A DIVIDER TO SCRIBE A CIRCLE



- 1 Set the desired radius on the dividers using the appropriate graduations on a rule.
- 2 Place the point of one of the divider legs on the point to be used as the center.



- 3 Lean the dividers in the direction of movement and scribe the circle by revolving the dividers.

CARE OF DIVIDERS

Keep dividers clean and dry. Protect the points against damage. Store dividers where they will not become bent or broken.

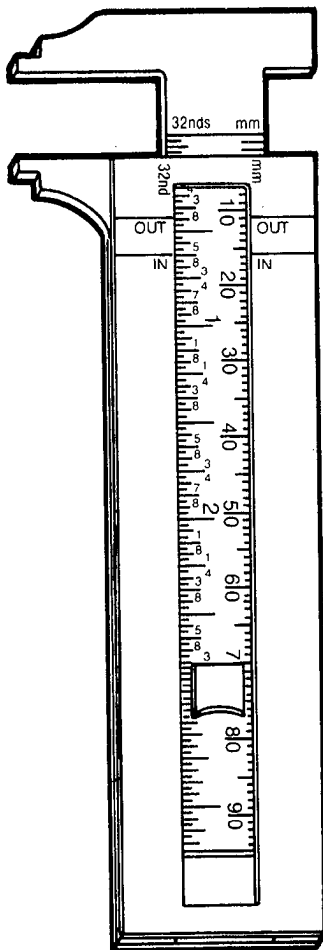
Chapter 6 CALIPERS

HOW TO CHOOSE AND USE THEM

The "Types and Uses" section provides you with a list of types of calipers. These pages should help you select the right calipers for the job.

The "Reading Calipers" section tells you how to read special calipers for accurate measurements. By becoming familiar with this procedure, you will learn to make accurate measurements. The "Care" pages tell you how to keep your calipers in good condition.

INDEX

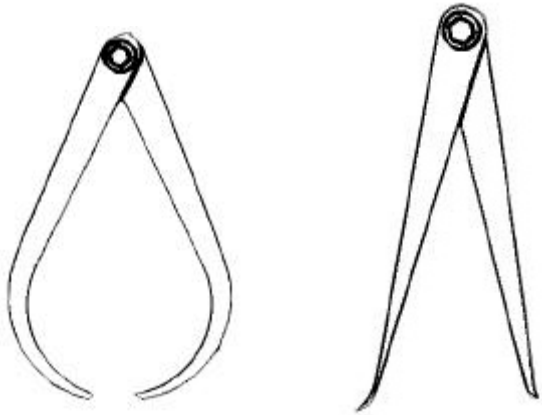


<i>Item</i>	<i>Page</i>
TYPES AND USES	6-2
Simple calipers	6-2
Spring-joint calipers	6-2
Transfer calipers	6-2
Hermaphrodite calipers	6-2
Slide calipers	6-3
Vernier calipers	6-3
Trammels	6-4
READING	6-4
Vernier calipers	6-4
Metric calipers	6-5
CARE	6-5

TYPES AND USES

Calipers are used to measure diameters. Outside calipers measure outside diameters. Inside calipers measure inside diameters. Simple calipers are used along with a scale to find the measurement. Slide calipers and vernier calipers have their own scales.

SIMPLE CALIPERS

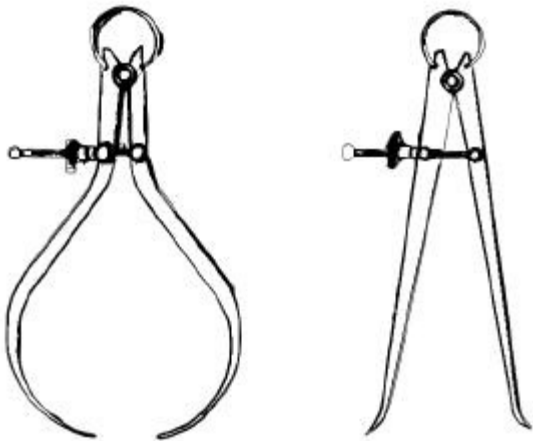


OUTSIDE CALIPERS

INSIDE CALIPERS

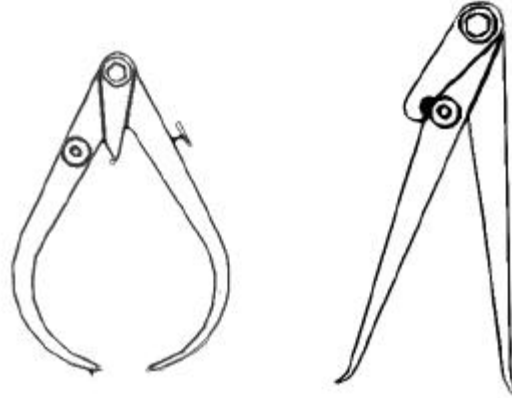
The simple outside calipers are bowlegged. Those used for inside diameters have straight legs with feet turned outward. Calipers are adjusted by pulling or pushing the legs to open or close them.

SPRING-JOINT CALIPERS



The spring-joint calipers have the same type of legs, but are joined by a strong spring hinge, screw, and adjustment nut.

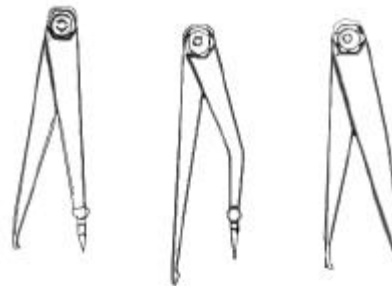
TRANSFER CALIPERS



Transfer calipers are used for measuring chamfered grooves or flanges. A screw attaches a small auxiliary leaf to one of the legs.

The measurement is made as with ordinary calipers. The leaf is locked to the leg. The legs may be opened or closed as needed to clear the obstruction. The legs are then brought back and locked to the leaf, restoring them to the original setting.

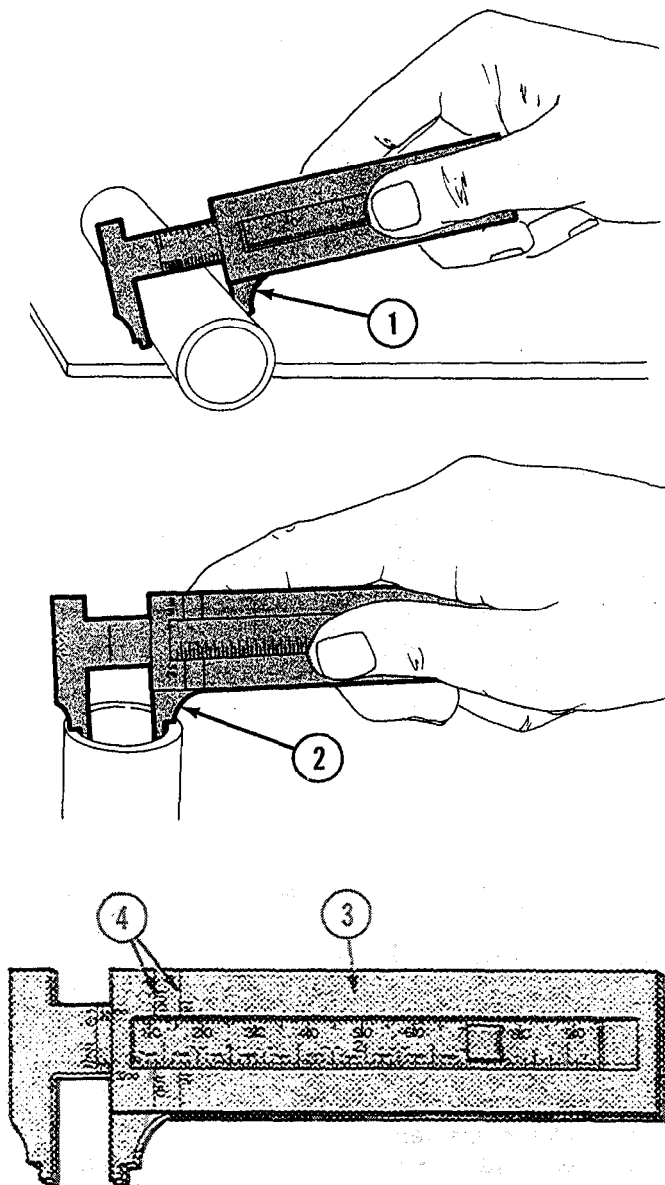
HERMAPHRODITE CALIPERS



The hermaphrodite calipers have one straight leg ending in a sharp point. On some models this point is removable. This leg is usually bowlegged. This caliper is used for finding shaft centers or locating shoulders.

TYPES AND USES - Continued

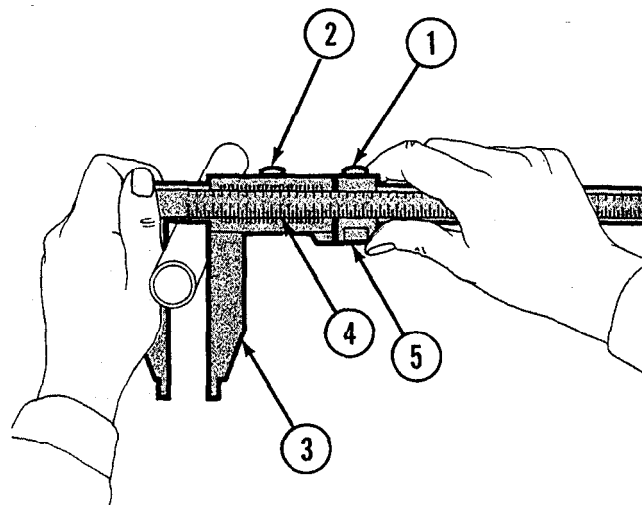
SLIDE CALIPERS



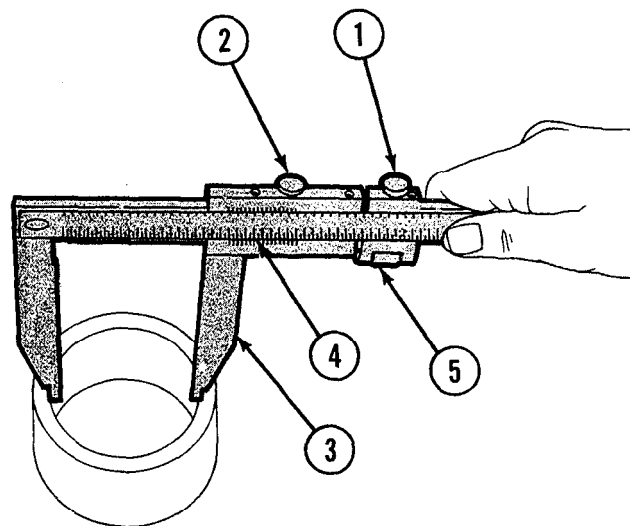
Slide calipers can be used for measuring outside and inside dimensions. Graduations are in inches, fractions, or millimeters. As shown above, one side of the caliper is used to measure outside (1) and the other side is used to measure inside (2) dimensions. Stamped on the frame (3) are the words "IN": and "OUT" (4). You use them when taking inside and outside measurements. The other side of the caliper is used as a straight measuring rule. If necessary, see chapter 3 of this manual for reading scales and rules.

VERNIER CALIPERS

OUTSIDE



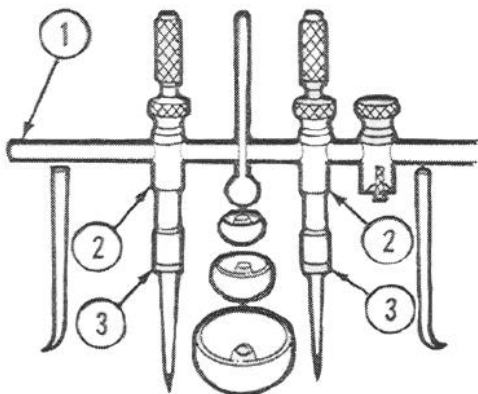
INSIDE



Vernier calipers work like slide calipers. As shown above, vernier calipers can make very accurate outside or inside measurements. A vernier caliper is used by loosening the two locking screws (1) and (2). This allows the movable jaw (3) to move along the rule until desired position is obtained. The locking screw (1) is then retightened securing the movable jaw (3). Any fine adjustments to the vernier scale (4) are then made using adjustment control (5). Locking screw (2) is then secured and vernier caliper is ready to read.

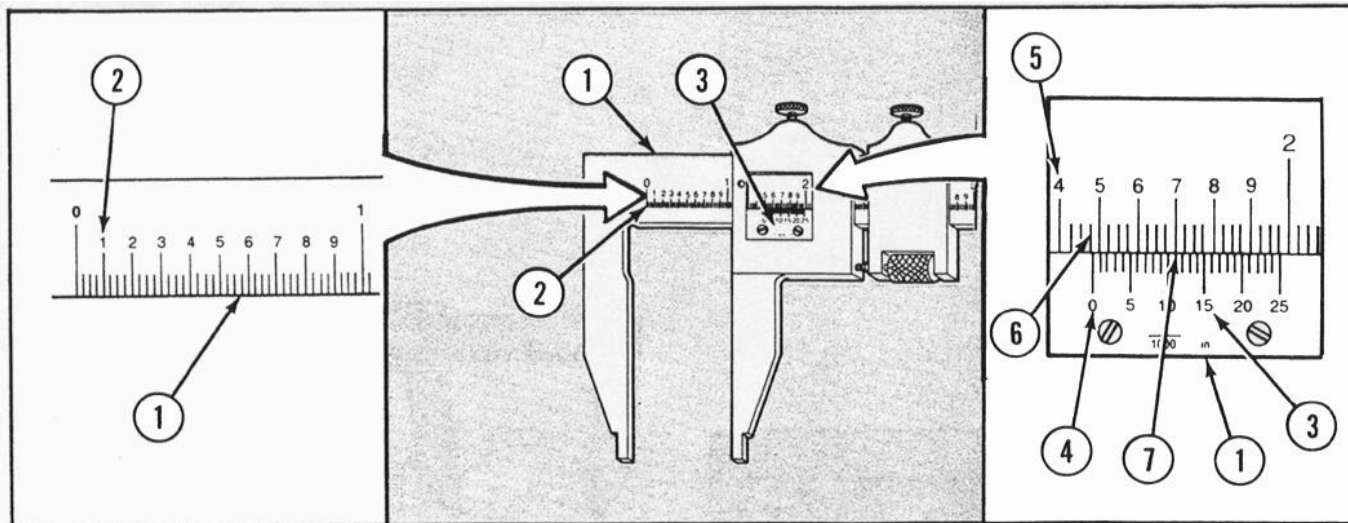
TYPES AND USES - Continued

TRAMMELS



The trammel measures distances beyond the range of calipers. The instrument consists of a rod or beam (1) to which trams (2) are clamped. The trams (2) carry chucks (3). The trammel can also be used as a divider by changing the points.

READING A VERNIER CALIPER



To read a vernier caliper, you must be able to understand both the steel rule and vernier scales. The steel rule (1) is graduated in 0.025 of an inch. Every fourth division (2) (representing a tenth of an inch) is numbered.

The vernier scale (3) is divided into 25 parts and numbered 0, 5, 10, 15, 20, and 25. These 25 parts are equal to 24 parts on the steel rule (1). The difference between the width of one of the 25 spaces on the vernier scale (3) and one of the 24 spaces on the steel rule (1) is 1/1000 of an inch.

Read the measurement as shown above.

Read the number of whole inches on the top scale (1) to the left of the vernier zero index (4) and record 1.000 inch

Read the number of tenths (5) to the left of the vernier zero index (4) and record 0.400 inch

Read the number of twenty-fifths (6) between the tenths mark(5) and the zero index (4) and record 3 x .025 = .075 inch

Read the highest line on the vernier scale (3) which lines up with the lines on the top scale (7) and record. (Remember 1/25 = .001 inch) 11/25 or 0.011 inch

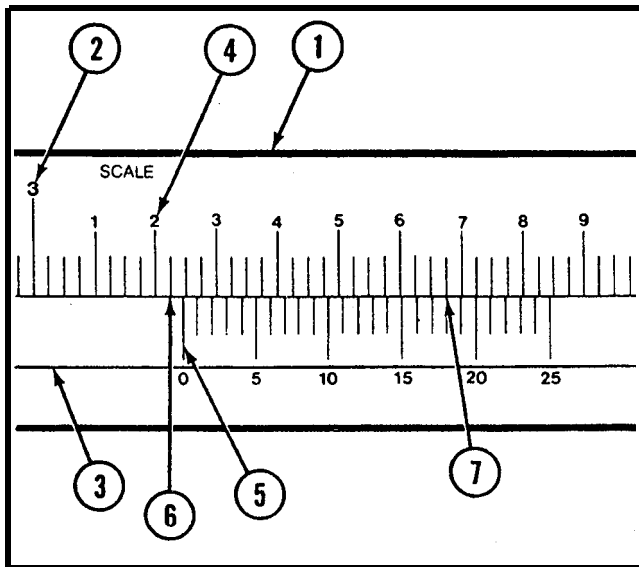
TOTAL 1.486 inches

READING A VERNIER CALIPER - Continued

Most vernier calipers read "OUTSIDE" on one side and "INSIDE" on the other side. If a scale isn't marked, and you want to take an inside measurement, read the scale as you would for an outside diameter. Then add the measuring point allowance by referring to manufacturer's instructions or the following table.

Size of Caliper	English Measure	Metric Measure
6 inch or 150 mm	Add 0.250 inch	Add 6.35 mm
12 inch or 300 mm	.300 inch	7.62 mm
24 inch or 600 mm	.300 inch	7.62 mm
36 inch or 600 mm	.500 inch	12.70 mm

READING A METRIC CALIPER



The steel rule (1) is divided into centimeters (cm) (2) and the longest lines represent 10 millimeters each. Each millimeter is divided into quarters.

The vernier scale (3) is divided into 25 parts and is numbered 0, 5, 10, 15, 20 and 25.

Read the total number of millimeters (4) to the left of the vernier zero index (5) and record32.00 mm

Read the number of quarters (6) between the millimeter mark and the zero index and record25 mm = (1 quarter)

Read the highest line on the vernier scale (3) which lines up with the line on the scale (7) and record18 mm
 TOTAL 32.43 mm

CARE OF CALIPERS

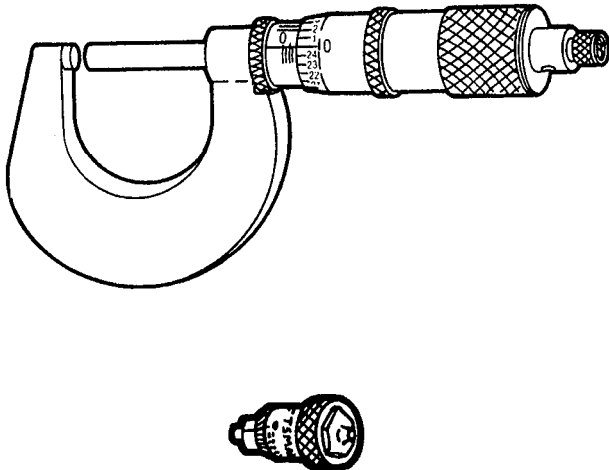
1. Store calipers in separate containers provided.
2. Keep graduations and markings on all calipers clean and legible.
3. Do not drop any caliper. Small nicks or scratches can cause inaccurate measurements.
4. Protect caliper points from damage.

Chapter 7 MICROMETERS

HOW TO CHOOSE AND USE THEM

The "Types and Uses" section provides you with a list of the types of micrometers. These pages should help you select the right micrometer for the job.

The "Reading Micrometers" section tells you how to read the different varieties of micrometers. By becoming familiar with the procedures you will learn to make accurate measurements.



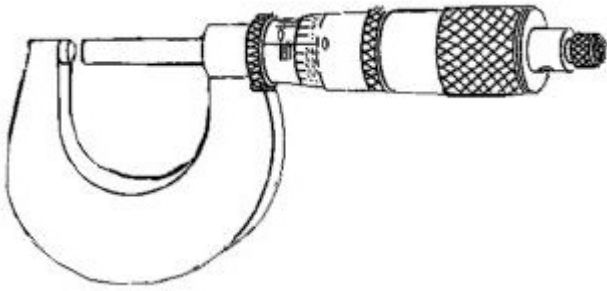
INDEX

<i>Item</i>	<i>Page</i>
TYPES AND USES	7-2
Outside micrometers	7-2
Inside micrometers	7-2
Depth micrometers.....	7-2
SELECTING PROPER MICROMETER ..	7-2
READING STANDARD MICROMETER .	7-4
Standard micrometers	7-4
Vernier micrometers	7-5
Metric micrometers	7-6
CARE	7-6

TYPES AND USES

Micrometers are instruments used to measure distances to the nearest one-thousandth of an inch. The measurement is usually expressed or written as a decimal. There are three types of micrometers which are commonly used: the outside micrometer, the inside micrometer, and the depth micrometer.

OUTSIDE MICROMETERS



Outside micrometers are used to measure an outside distance or diameter to an accuracy of .001 of an inch.

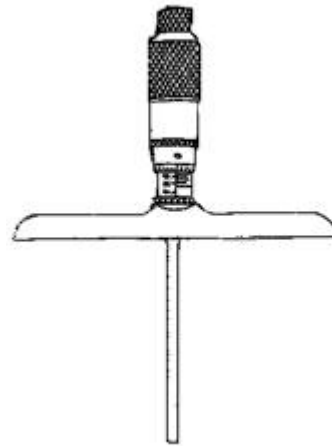
INSIDE MICROMETERS



Inside micrometers are used to measure an inside diameter to an accuracy of .001 of an inch.

ID micrometers have a range of .500 when used with one-half inch spacers. (For remaining one-half inch, see page 7-3.)

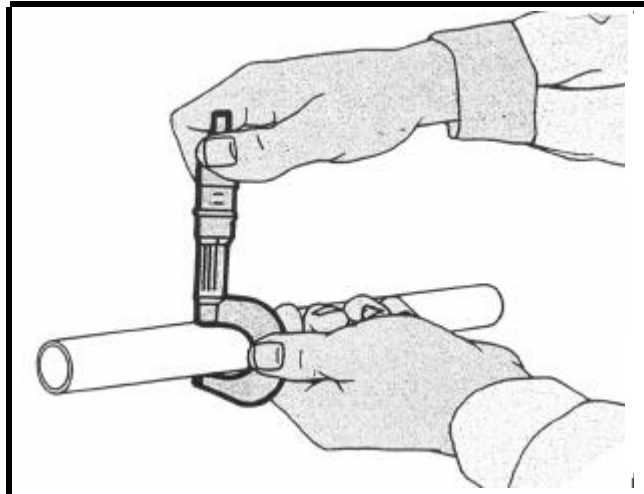
DEPTH MICROMETERS



Depth micrometers are used to measure depths to an accuracy of .001 inches.

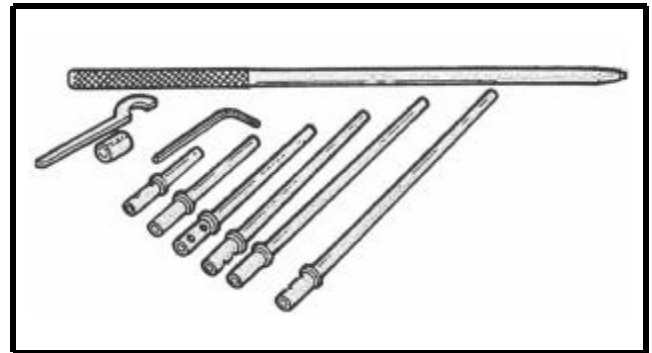
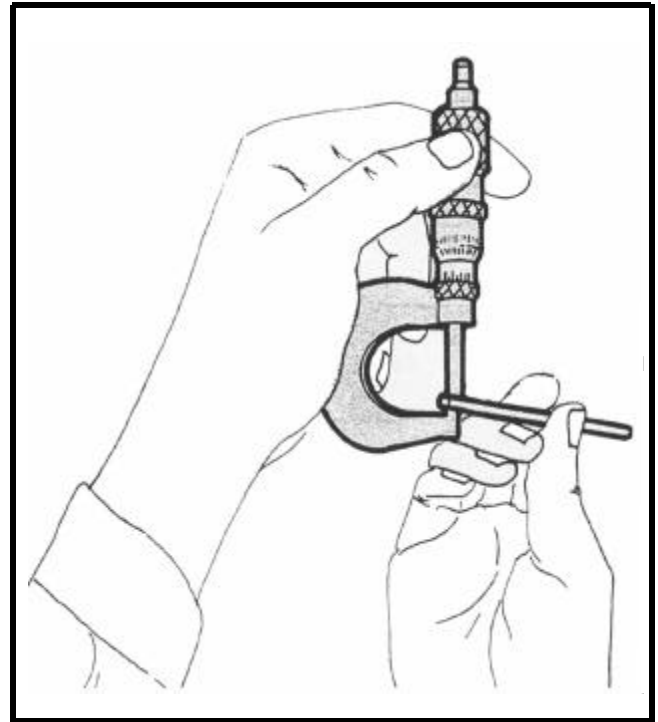
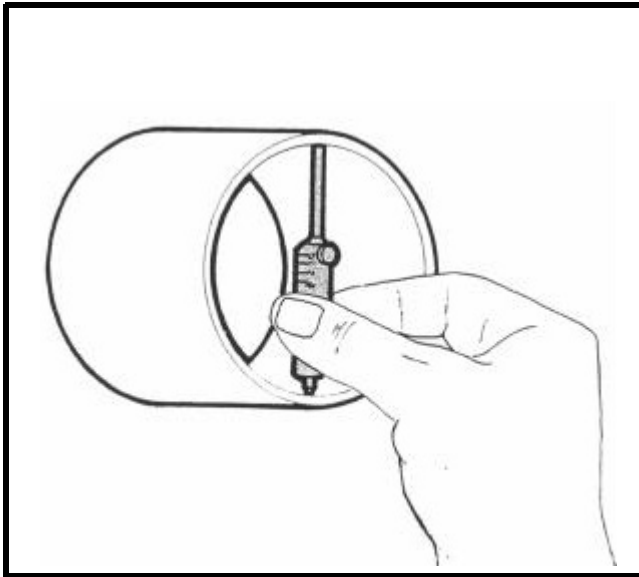
SELECTING THE PROPER MICROMETER

The types of micrometers commonly used are made so that the longest movement possible between the spindle and the anvil is 1 inch. This movement is called the "range." The frames of micrometers, however, are available in a wide variety of sizes, from 1 inch up to as large as 24 inches. The range of a 1 inch micrometer is from 0 to 1 inch. In other words, it can be used to work where the part to be measured is 1 inch or less. A 2-inch micrometer has a range from 1 inch to 2 inches, and will measure only work between 1 and 2 inches thick. A 6-inch micrometer has a range from 5 to 6 inches, and will measure only work between 5 and 6 inches thick. It

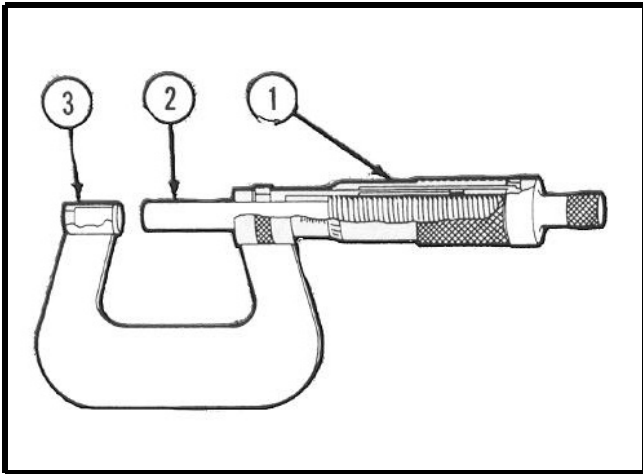


SELECTING THE PROPER MICROMETER - Continued

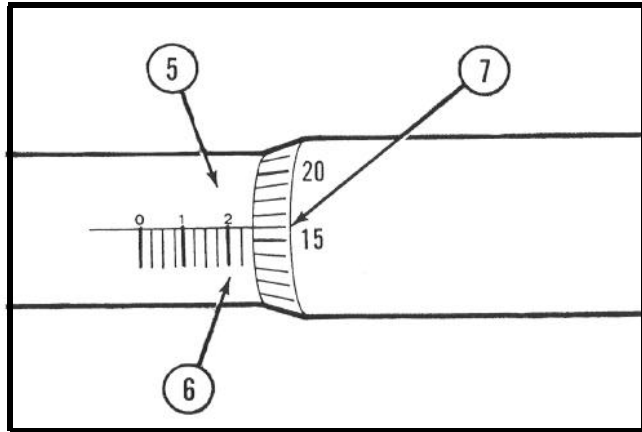
is necessary, therefore, that the mechanic first find the approximate size of the work to the nearest inch, and then select a micrometer that will fit it. For example, to find the exact diameter of a piece of round stock use a rule and find the approximate diameter of the stock. If it is found to be approximately 3-1/4 inches, a micrometer with a 3- to 4-inch range would be required to measure the exact diameter. Similarly, with inside and depth micrometers, rods of suitable lengths must be fitted into the tool to get the approximate dimension within an inch, after which the exact measurement is read by turning the thimble. The size of a micrometer indicates the size of the largest work it will measure.



READING A STANDARD MICROMETER

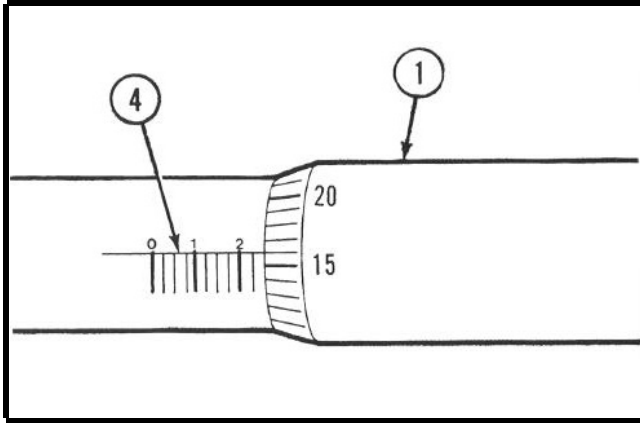


Reading a micrometer is only a matter of reading the micrometer scale or counting the revolutions of the thimble and adding to this any fraction of a revolution. The micrometer screw has 40 threads per inch. This means that one complete and exact revolution of the micrometer screw (1) moves the spindle (2) away from or toward the anvil (3) exactly 1/40 or 0.025 inch.



TO READ A MEASUREMENT AS SHOWN ABOVE.

Read highest figure visible on barrel (5) 2 = 0.200 in.
 Number of lines visible between the No. 2 and thimble edge (6) 1 = 0.025 in.
 The line on the thimble that coincides with or has passed the revolution or long line in the barrel (7) 16 = 0.016 in.
 TOTAL = 0.241 in.

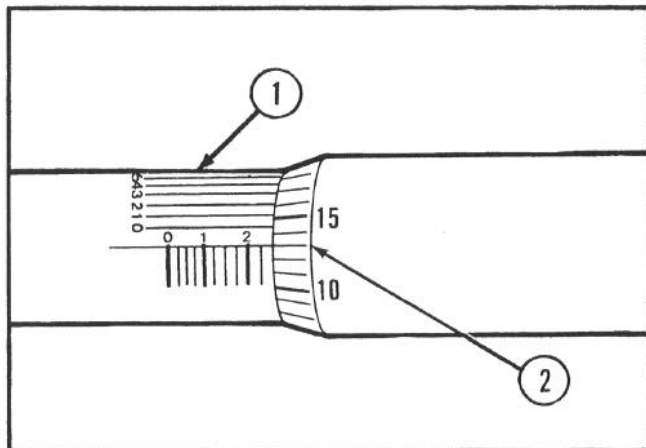


The lines on the barrel (4) conform to the pitch of the micrometer screw (1), each line indicating 0.025 inch, and each fourth line being numbered 1, 2, 3, and so forth.

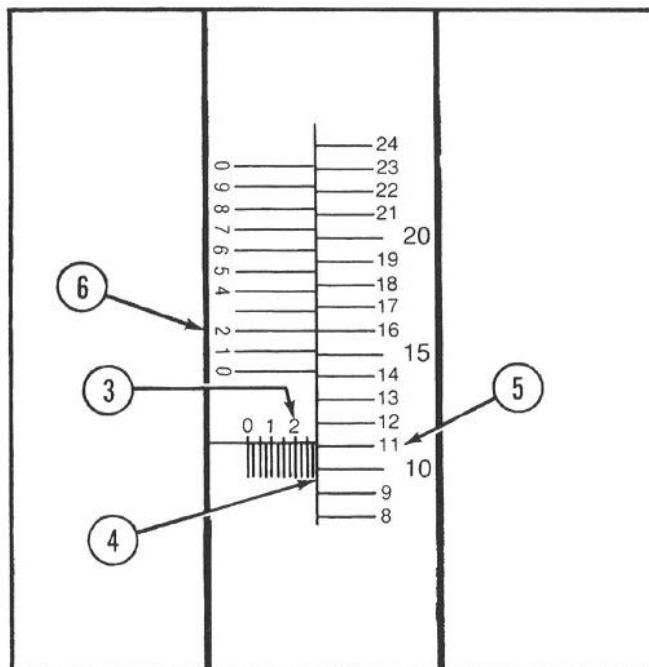
The beveled edge of the thimble is graduated into 25 parts, each line indicating 0.001 inch, or 0.025 inch covered by one complete and exact revolution of the thimble. Every fifth line on the thimble is numbered to read a measurement in thousandths of an inch.

READING A VERNIER MICROMETER

Reading the vernier micrometer is the same as reading the standard micrometer. An additional step must be taken, to add the vernier reading to the dimensions. This allows for precise measurements which are accurate to ten-thousandths (0.0001) of an inch. This scale furnishes the fine readings between the lines on the thimble rather than making an estimate as you would on a standard micrometer.



The ten spaces on the vernier (1) are equivalent to 9 spaces on the thimble (2). Therefore, each unit on the vernier scale is equal to 0.0009 inch and the difference between the sizes of the units on each scale is 0.0001 inch.



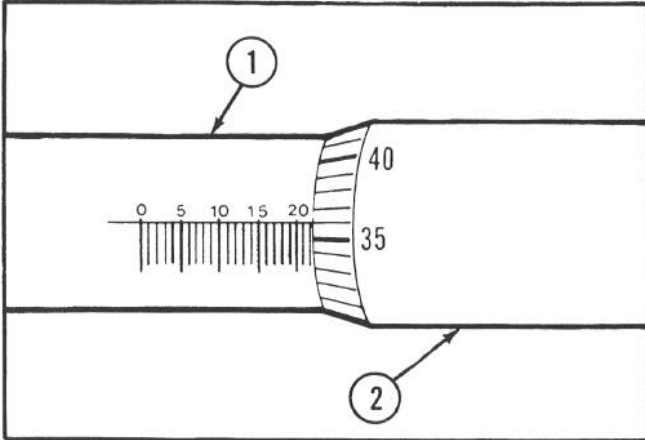
TO READ A MEASUREMENT AS SHOWN ABOVE:

Read highest figure visible on barrel (3) 2 = 0.200 in.
 Number of lines visible between the No. 2 and thimble edge (4) 3 = 0.075 in.
 The line on the thimble that coincides with or is nearest the revolution or long line in the barrel (5) 11 = 0.011 in.
 The line on the vernier scale that coincides with the line on the thimble (6) 2 = 0.0002 in.
 TOTAL = .2862 in.

READING A METRIC MICROMETER

The same principle is applied in reading the metric graduated micrometer, but the following changes in graduations are used:

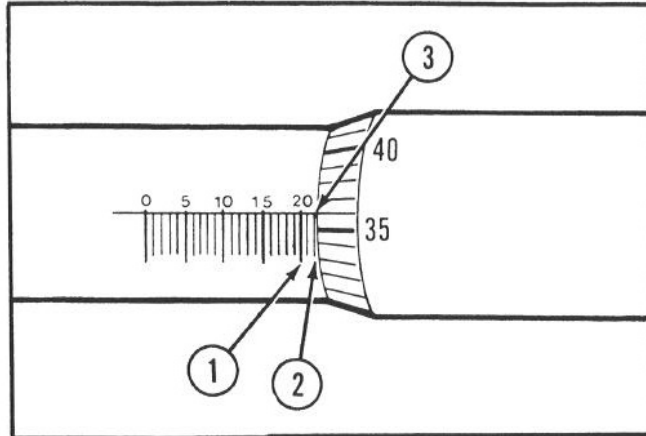
The pitch of the micrometer screw is 0.05 mm. One revolution of the spindle advances or withdraws the screw a distance equal to 0.5 mm.



The barrel (1) is graduated in millimeters from 0 to 25. It takes two revolutions of the spindle to move the barrel 1 mm.

The thimble (2) is graduated in 50 divisions with every fifth line being numbered.

Rotating the thimble from one graduation to the next moves the spindle 1/50 of 0.5 mm, or 1/100 mm. Two graduations equal 2/100 mm, and so forth.



TO READ MEASUREMENT AS SHOWN ABOVE:

- Read highest figure visible on barrel (1) 20 = 20.0 mm
- Number of lines visible between the No. 20 and thimble edge (2) 2 = 2.0 mm
- The line on the thimble that coincides with or has passed the revolution or long line in the barrel (3) 36=36/100 (.36) mm

NOTE

Remember that 1 revolution is 0.5 mm. It takes 2 revolutions to move 1 mm.

Measurement reading TOTAL 22.36 mm

CARE OF MICROMETERS

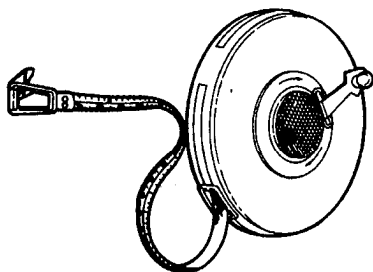
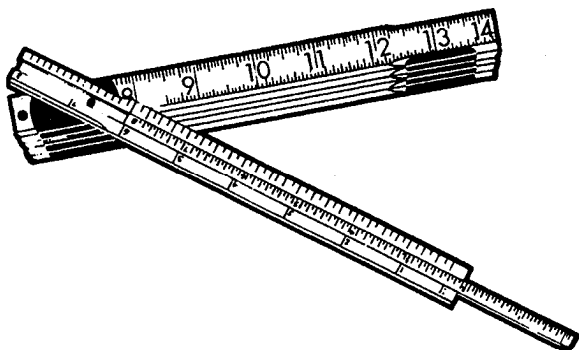
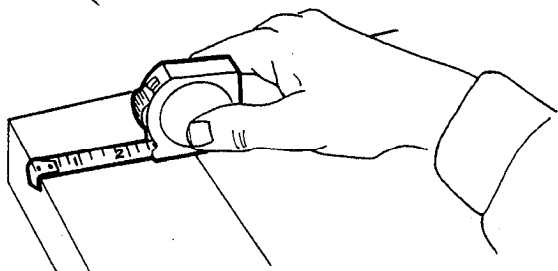
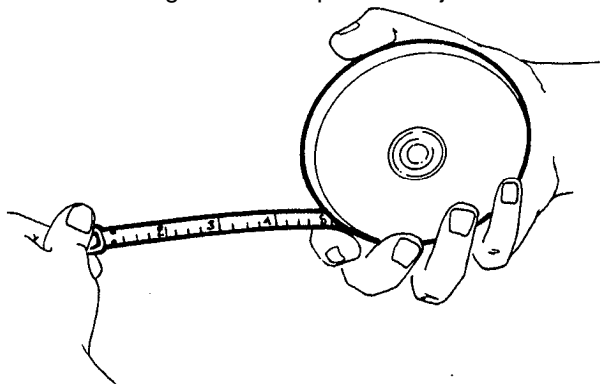
1. Coat metal parts of all micrometers with a light coat of oil to prevent rust.
2. Store micrometers in separate containers provided by manufacturer.
3. Keep graduations and markings on all micrometers clean and legible.
4. Do not drop any micrometer. Small nicks or scratches can cause inaccurate measurements.

Chapter 8 RULES AND STEEL TAPES

HOW TO CHOOSE AND USE THEM

The "Types and Uses" section provides you with a list of the types of rules and tapes. These pages should help you select the right rule or tape for the job.

The "Using Rules and Tapes" section tells you how to use the various types of measuring instruments. The "Care" procedures tell you how to care for rules and tapes.



INDEX

<i>Item</i>	<i>Page</i>
TYPES AND USES	8-2
Rules	8-2
Folding rules	8-2
Steel tapes	8-2
USING	8-3
CARE	8-3

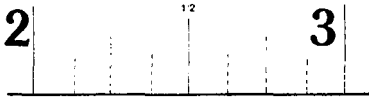
TYPES AND USES

The rule or tape is used for measuring where accuracy is not an extremely critical factor. They can be rigid or flexible, come in various lengths, and can be made of wood, metal, cloth, or fiberglass.

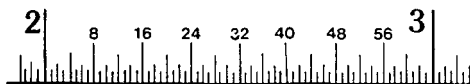
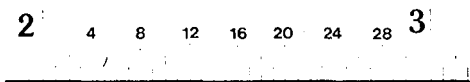
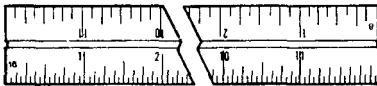
RULES



The rule is the most common of measuring tools. This rule is usually 6 or 12 inches in length, although other lengths are available. Steel rules may be flexible or nonflexible, but the thinner the rule, the easier it is to measure accurately because the division marks are closer to the work.

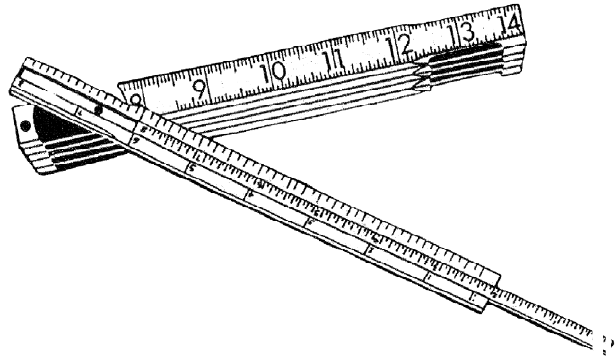


A rule usually has four sets of graduations, one on each edge of each side. The longest lines represent the inch marks. On one edge each inch is divided into 8 equal spaces so each space represents 1/8 in. The other edge of this side is divided in sixteenths. The 1/4-in. and 1/2-in. marks are commonly made longer than the smaller division marks to facilitate counting, but the graduations are usually not numbered individually, as they are sufficiently far apart to be counted without difficulty. The opposite side is similarly divided into 32 and 64 spaces per inch, and it is common practice to number every fourth division for easier reading.



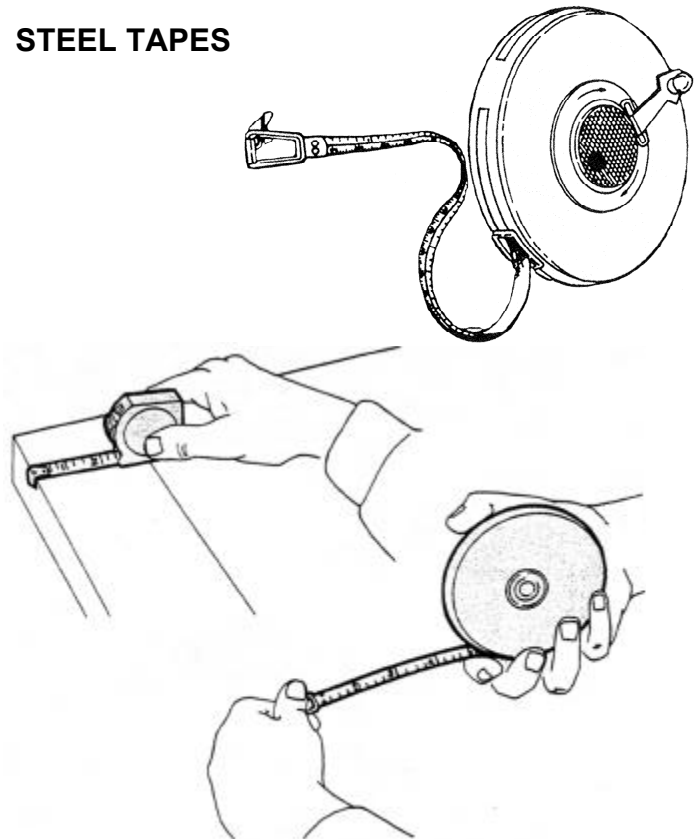
There are many variations of the common rule. Sometimes the graduations are on one side only, sometimes a set of graduations is added across one end for measuring in narrow spaces, and sometimes only the first inch is divided into 64ths, with the remaining inches divided into 32nds and 16ths. A metal or wood folding rule may be used.

FOLDING RULES



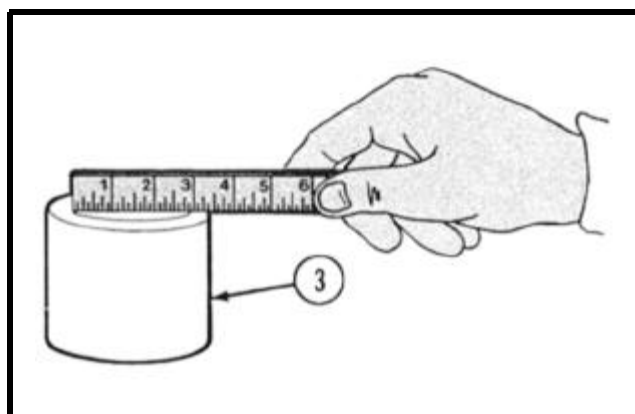
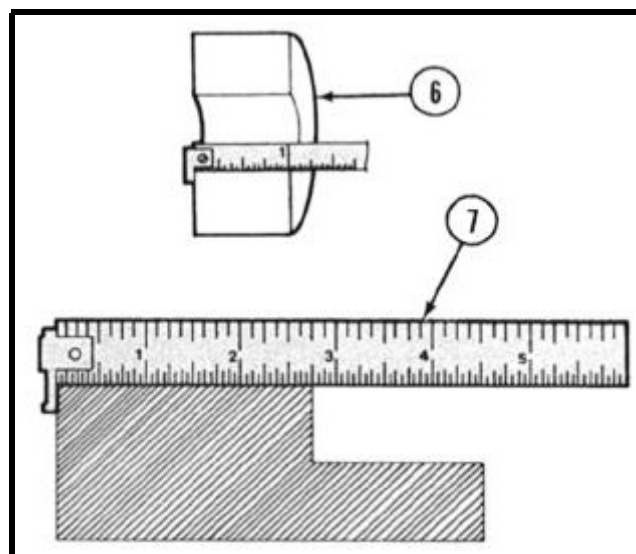
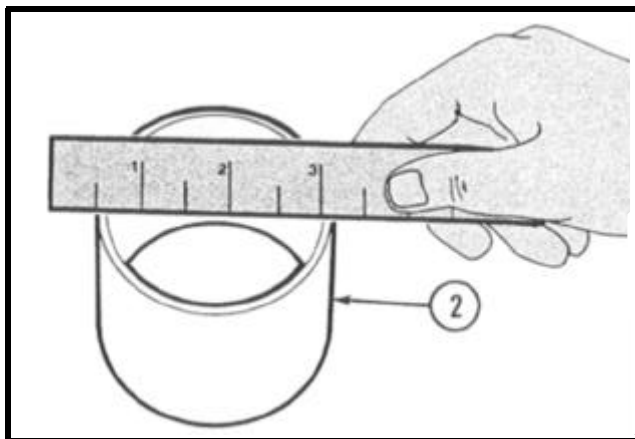
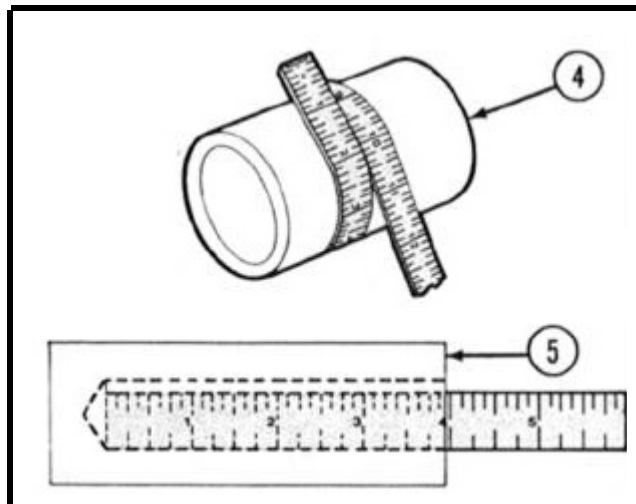
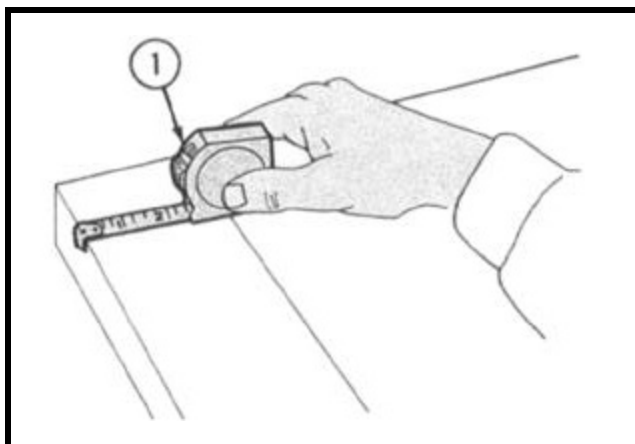
These folding rules are usually from two to six feet long. The folding rules cannot be relied on for extremely accurate measurements because a certain amount of play develops at the joints after continued use.

STEEL TAPES



Steel tapes are made from 6 to about 300 feet in length. The shorter tapes are made with a curved, but rigid, cross section flexible enough to be rolled up. Long, flat tapes need support over their full length to avoid sagging. Lack of support can cause reading errors. The most common types of steel tapes have a hook at one end to let one person take all the readings.

USING RULES AND TAPES EXAMPLES



- 1 Rules and tapes used for measuring lengths.
- 2 Measuring the outside diameter of pipe.
- 3 Measuring the inside diameter of pipe.
- 4 Measuring the circumference of pipe.
- 5 Measuring inside dimensions.
- 6 Measuring the thickness of stock through a hole.
- 7 Measuring outside dimension with a tape.

CARE OF RULES AND TAPES

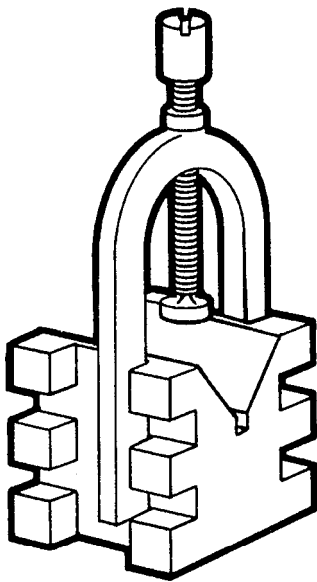
1. Keep rules and tapes clean and dry.
2. Store rules and tapes where they will not become bent or damaged.

Chapter 9 MISCELLANEOUS MEASURING TOOLS

HOW TO CHOOSE AND USE THEM

The "Types and Uses" section provides you with a list of the more common types of miscellaneous measuring tools. These pages should help you select the right measuring tool for the job. The "Using" section tells you how to use several of these tools for a certain applica-

tion. Although there are many other uses for these tools, you should be able to perform most any task by becoming familiar with the procedures outlined in these pages. The "Care" procedures tell how to care for your measuring tools.

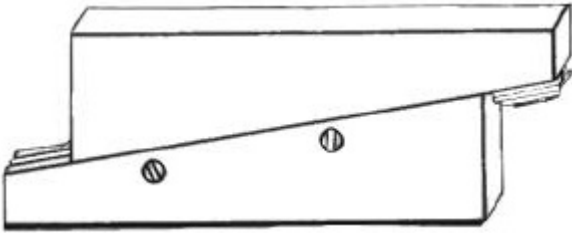


INDEX

<i>Item</i>	<i>Page</i>
TYPES AND USES	9-2
Adjustable parallel	9-2
V-block and clamp	9-2
Angle plates	9-2
Magnetic base indicator holder	9-2
Registering speed indicators	9-2
USING	9-3
CARE	9-3

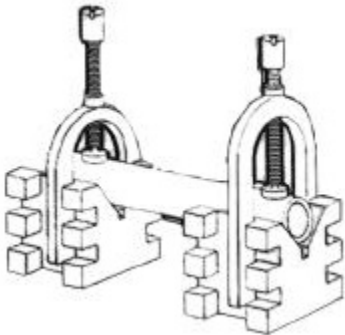
TYPES AND USES

ADJUSTABLE PARALLEL



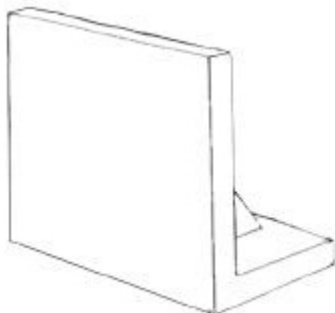
Adjustable parallels consist of two tapered parts fitted together. The distance between the two outside parallel surfaces varies by moving mating parts together or apart. This distance is then measured with a micrometer. Adjustable parallels are used as gages for leveling and setup work. Adjustable parallels are available in various sizes depending on the nature of work.

V-BLOCK AND CLAMP



The V-block and clamp assembly consists of a V-shaped, hardened steel body to support round, square, or rectangular shaped work. A clamp (or clamps) holds the work firmly in the body groove. V-blocks and clamps are especially used for grinding, milling, or drilling purposes. Various styles and designs of V-blocks and clamps are available depending on application.

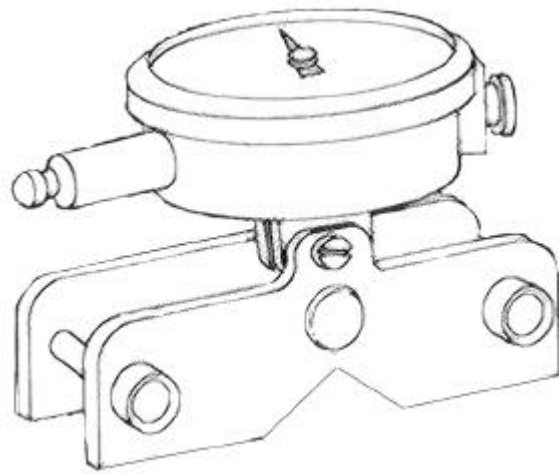
ANGLE PLATES



Angle plates are devices consisting of two flat outside working surfaces jointed at right angles. The outside work surfaces are precision ground. The standard angle

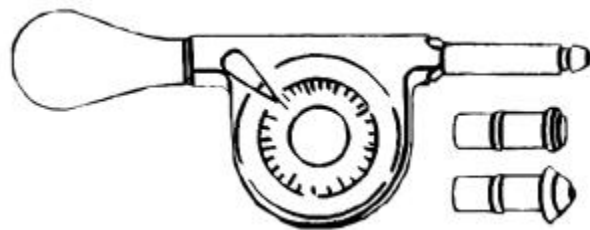
plate is permanently jointed at a right angle. However, an adjustable type with varying angle adjustments is also available. Angle plates are used for clamping or holding work vertically. They are also used for layout, inspection, or machine set-up. Various sizes and designs are available depending on the task.

MAGNETIC BASE INDICATOR HOLDER



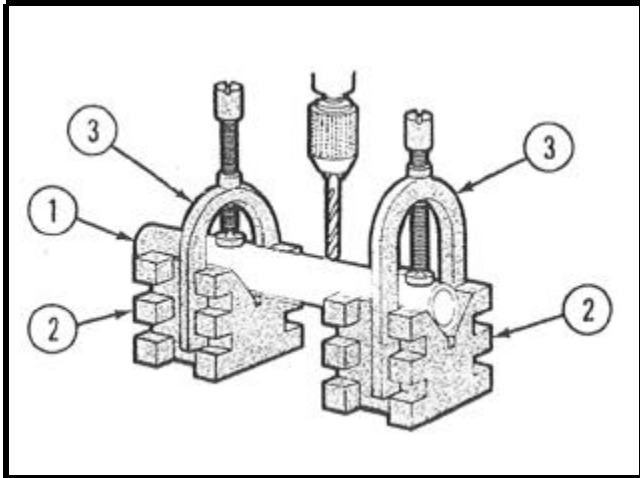
The magnetic base indicator holder is a one-piece metal assembly that attaches to the work surface magnetically. A gage or indicator attaches to the assembly. Base indicator holders are used for attaching gages to lathes, milling machines, shapers, or any machine where graduations are difficult to read. Magnetic base indicator holders are available in many sizes and designs depending on application.

REGISTERING SPEED INDICATORS



Registering speed indicators are designed to count the number of revolutions of wheels, shafts, etc. Revolutions are counted by attaching spindle of speed indicator to hub of shaft or wheel. Indicator spindle will turn in either direction counting each revolution on a circular dial. Various designs of speed indicators are available depending on nature of use.

USING MISCELLANEOUS MEASURING TOOLS



- 1 Place pipe (1) in V-blocks (2).
- 2 Secure pipe (1) in position using screw clamps (3).
- 3 Begin drilling at desired spot on pipe (1).

CARE OF MISCELLANEOUS MEASURING TOOLS

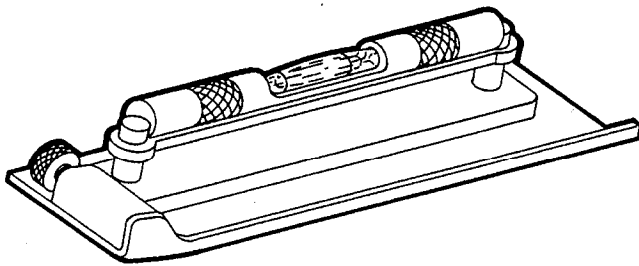
1. Clean all tools thoroughly after using.
2. Apply a light coat of oil to all exposed metal parts to avoid rusting.
3. To avoid possible damage to sensitive tools, store tools in proper locations.

Chapter 10 LEVELS

HOW TO CHOOSE AND USE THEM

The "Types and Uses" section provides you with a list of types of levels. These pages should help you select the right level for the job.

The "Using Levels" section tells you how to use levels for their various functions (plumbing, leveling, etc).



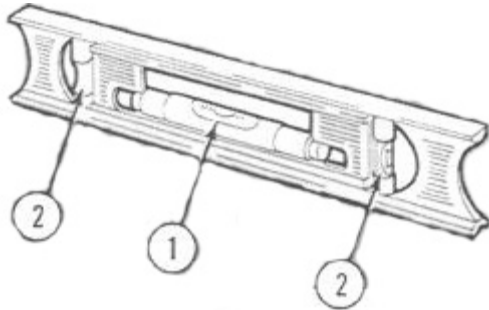
INDEX

<i>Item</i>	<i>Page</i>
TYPES AND USES	10-2
Master precision level	10-2
Machinist's level	10-2
Iron bench level	10-2
Striding level	10-2
Carpenter's level	10-2
Line level	10-2
USING	10-3

TYPES AND USES

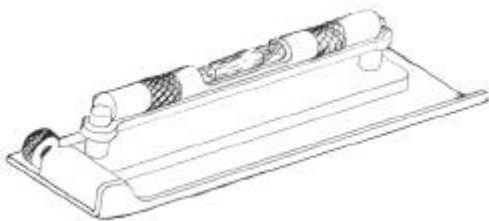
Levels are tools designed to prove whether a plane or surface is in the true vertical or true horizontal. All levels consist of a liquid-filled glass tube or tubes supported in a frame.

MASTER PRECISION LEVEL



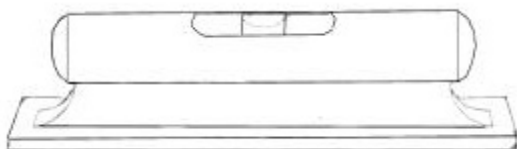
The master precision level has a ground and graduated main vial (1). The top and bottom of the level are milled and ground to make sure both surfaces are absolutely parallel. This level is used to determine the true horizontal with the main vial (1). The true vertical is determined by using the two smaller vials (2).

MACHINIST'S LEVEL



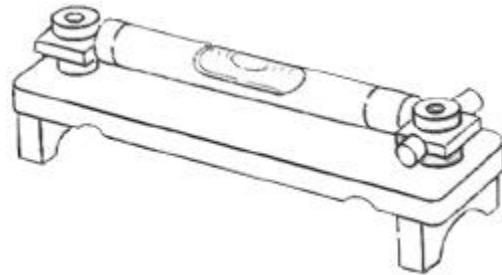
The machinists level has an extra large vial. This increases its accuracy and sensitivity. Some of these levels have grooved bottoms which fit over pipes and shafts. They are used in machine shops for leveling work and equipment.

IRON BENCH LEVEL



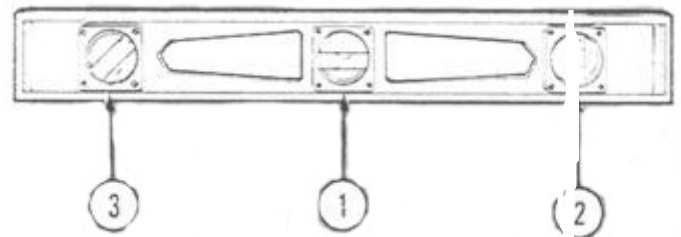
The iron bench level is made of a special design casting which insures its lightness, strength, and rigidity. It is used mostly in the construction industry. It may also be used in a machine shop.

STRIDING LEVEL

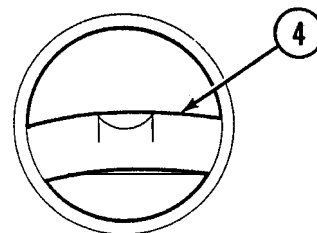


The striding level is a machinist's level which is mounted on a raised base. This level is used to span existing cabling, piping, or similar obstructions. It is extremely useful in a machine shop for checking the true horizontal of the flatway on a lathe.

CARPENTER'S LEVEL

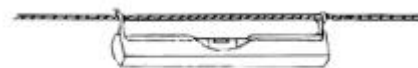


The carpenter's level has three vials which are mounted horizontally (1) vertically (2) and at a 45 degree angle (3). The carpenter's level is used in construction for checking for true vertical, true horizontal, and 45 degree angles.



Some levels have a bent tube (4) which allows the bubble to settle quickly.

LINE LEVEL

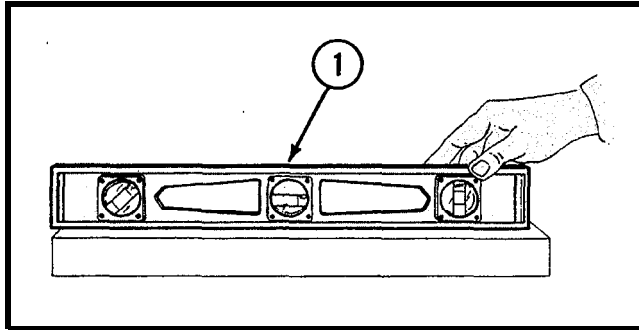


The line level is a single vial in a metal case with a hook on each end for hanging on a cord. It is used to check whether two points are level, such as two points on a floor or in an elevation. It must be used with a tightly stretched cord.

USING A LEVEL

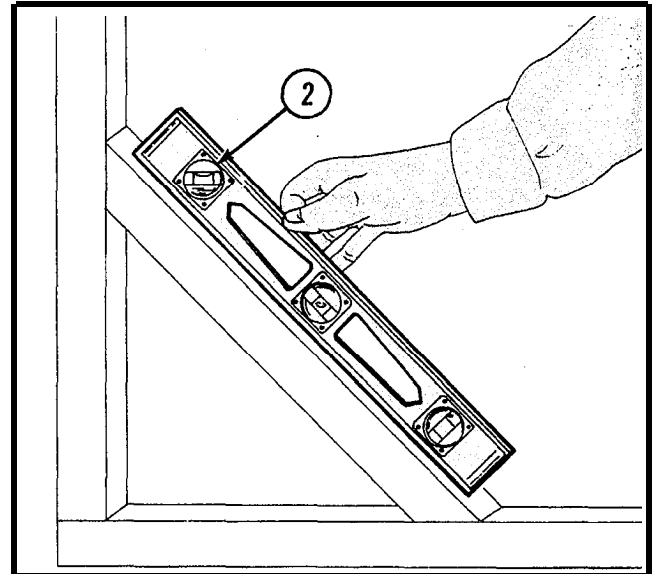
A level may be checked for accuracy by placing it on a known level surface and noting the position of the bubble. Reverse the level end for end. Observe the position of the bubble. If the relative position of the bubble was the same for both readings, the level is accurate.

HORIZONTAL SURFACE



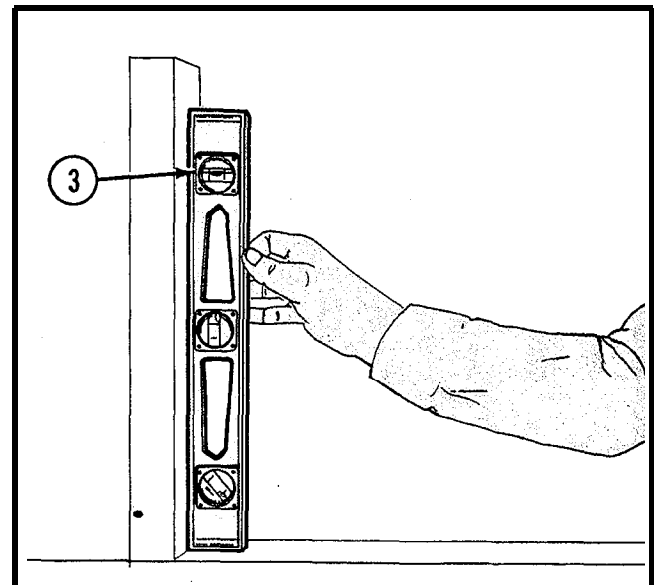
Place the level on a flat horizontal surface. Check the horizontal vial (1). The bubble should be between the two etched lines on the vial. If it is not, the surface is not horizontal.

ANGLED SURFACE



Place the level on an angled surface. If the angle is 45 degrees, the bubble will appear between the notched lines on the 45 degree vial (2).

VERTICAL SURFACE



Place the level against a flat vertical surface. Check the vertical vial (3). The bubble should be between the two etched lines on the vial. If it is not, the surface is not vertical.

Chapter 11 PLUMB BOBS

HOW TO CHOOSE AND USE THEM

The "Types and Uses" pages provide you with a list of the more common types of plumb bobs. These pages should help you select the right plumb bob for the job. The "Using Plumb Bobs" pages tell you how to use a steel plumb bob to establish the true vertical of a square

post. By becoming familiar with this procedure you will build a good background for using other plumb bobs. The "Care" page tells you how to keep your plumb bobs in proper condition.



INDEX

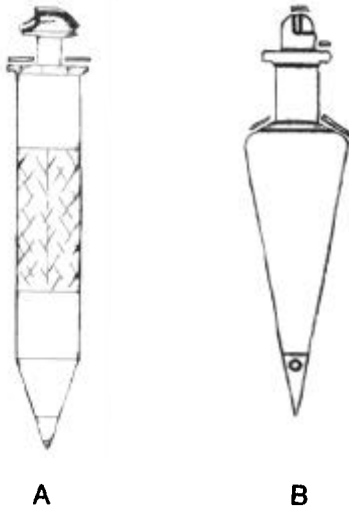
<i>Item</i>	<i>Page</i>
TYPES AND USES	11-2
Surveyor's Polished Brass	11-2
Solid Steel	11-2
USING	11-3
CARE	11-6

TYPES AND USES

PLUMB BOBS

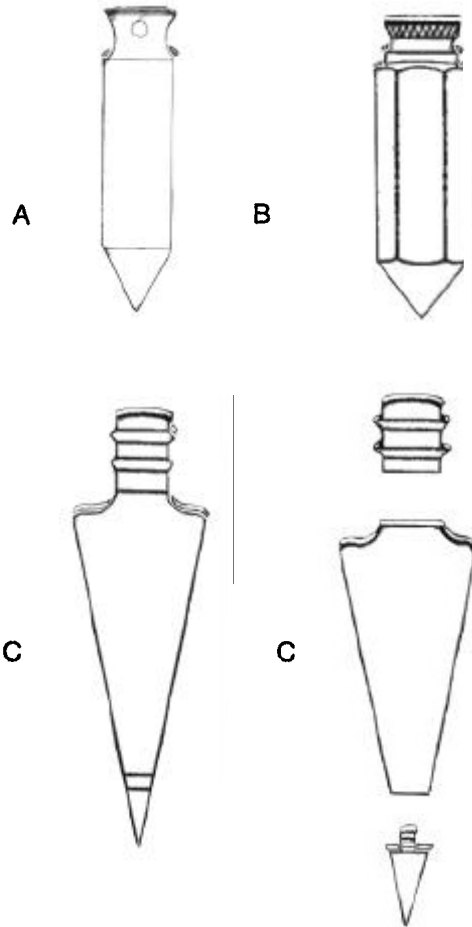
A plumb bob is a precision instrument used to establish a true vertical transfer and line-up reference point, and to take readings or soundings in tanks and voids. Plumb bobs are used by carpenters, surveyors and maintenance technicians.

SURVEYOR'S POLISHED BRASS



The surveyor's brass plumb bob may be either a spool type (A) or an adjustable cap type (B). Both types have replaceable steel points for increased accuracy. The adjustable cap allows the operator to make minor corrections to height and rotation to make sure the bob hangs straight. The surveyor's brass plumb bob comes with a minimum of 7 feet of nylon, silk or linen cord. It comes in 6, 8, 10, and 16 ounce sizes. The heavier plumb bobs are better for use in windy areas.

SOLID STEEL

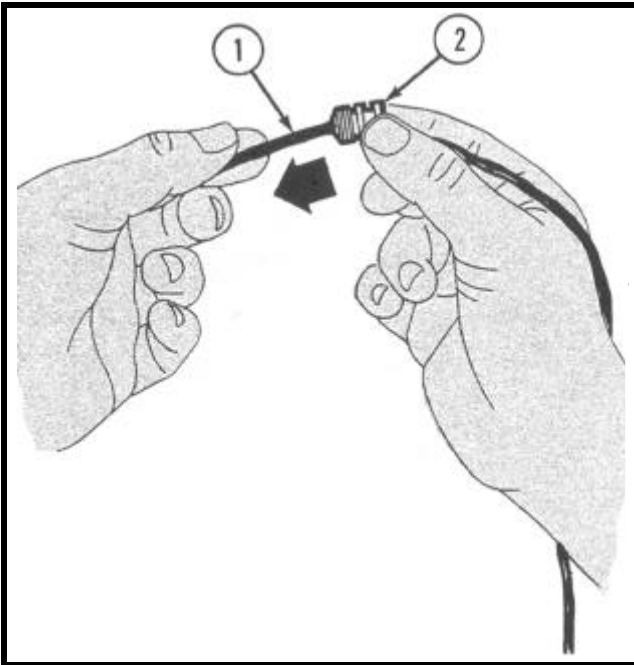


The solid steel plumb bob (A) may have a machined integral head, body, and point. It may have just a removable head (B), or a removable head and a replaceable point (C). It may be round or hexagonal in shape and it comes in 3, 8, and 12 ounce sizes. Cord for the solid steel bobs must be obtained from a separate source. This type plumb bob is used when extreme accuracy is not required.

USING A PLUMB BOB

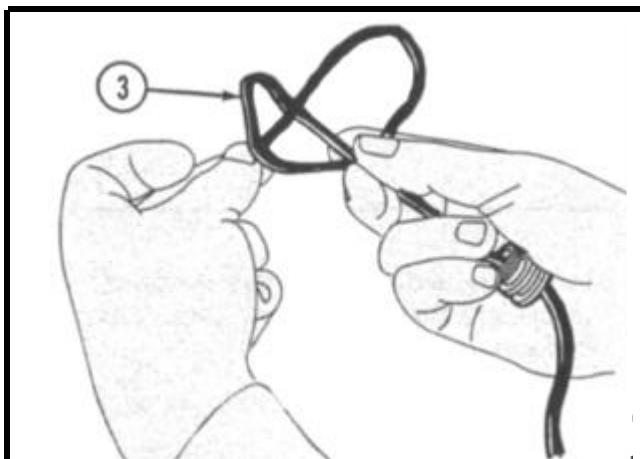
NOTE

The practice procedure which follows (for establishing the true vertical of a post) uses a plumb bob with a removable head.

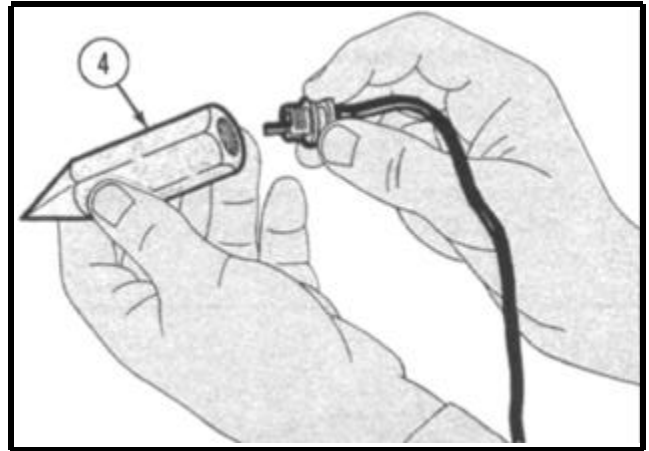


The first step is to attach the cord as follows:

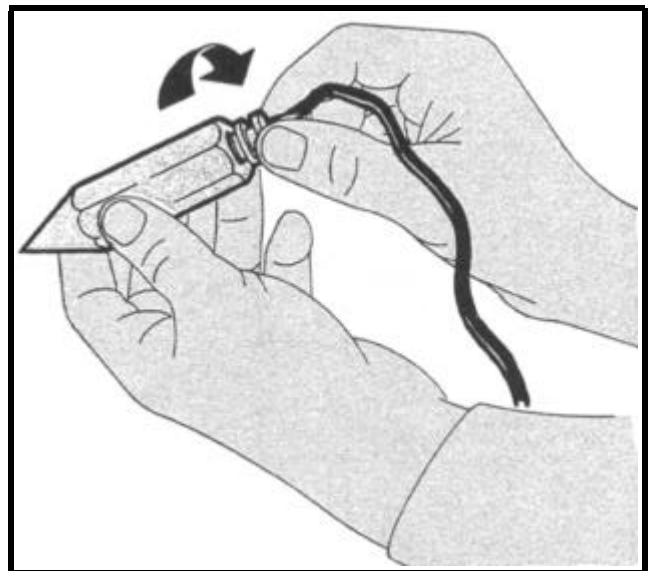
- 1 Insert a string or cord (1) into the cap (2) of the plumb bob. Make sure the cord will support the plumb bob. Pull the cord through the cap.



- 2 Place cap in the palm of your hand and tie an overhand knot (3) in the cord. Pull the cord drawing the knot against cap base. Make sure the knot is not too large or tied at an angle which would affect the hanging of the plumb bob.



- 3 Install cap into plumb bob body (4).



- 4 Tighten cap securely in the body and suspend the plumb bob by the cord only. Make sure the knot will support the plumb bob.

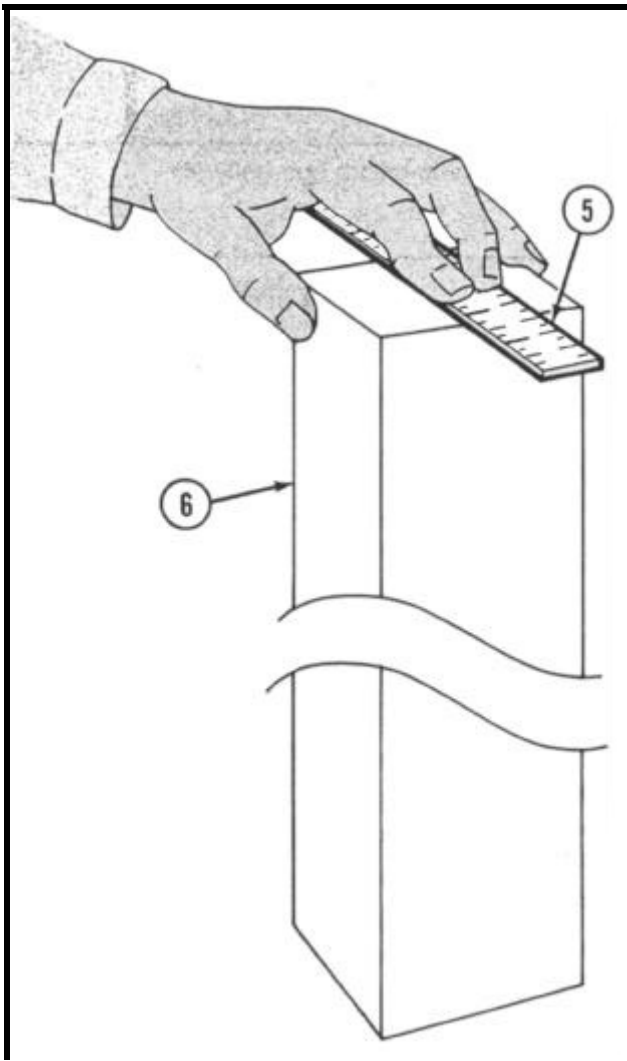
USING A PLUMB BOB - Continued

NOTE

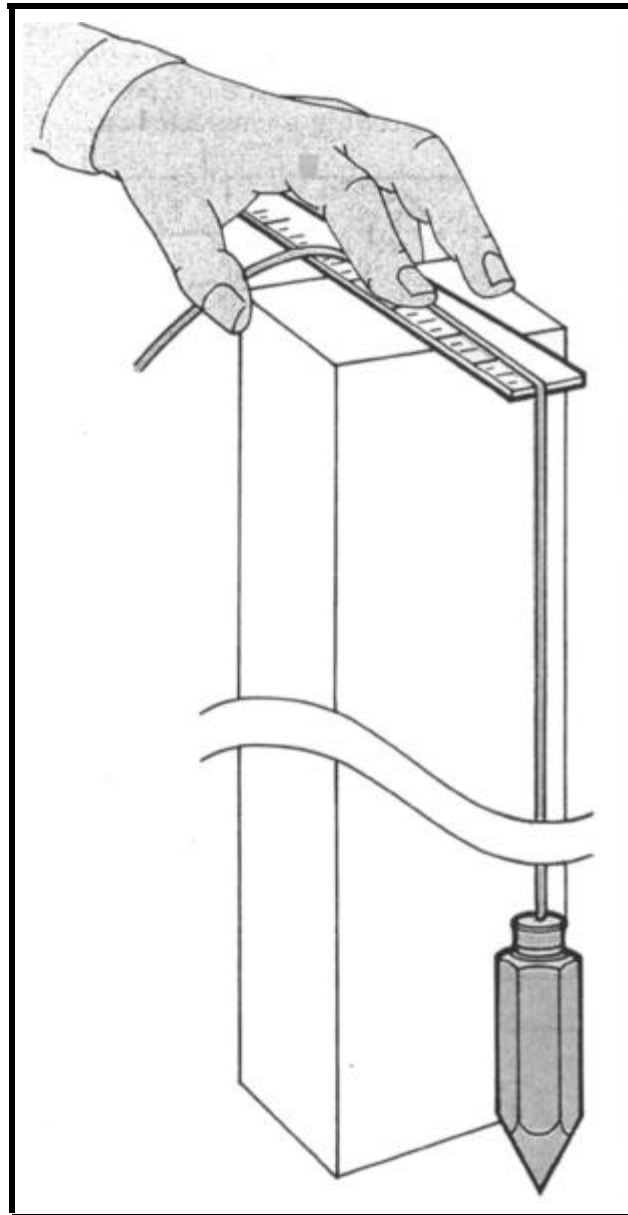
The following task is not the only use of a plumb bob.

NOTE

Post hole must be dug and an assistant is required before starting the task.

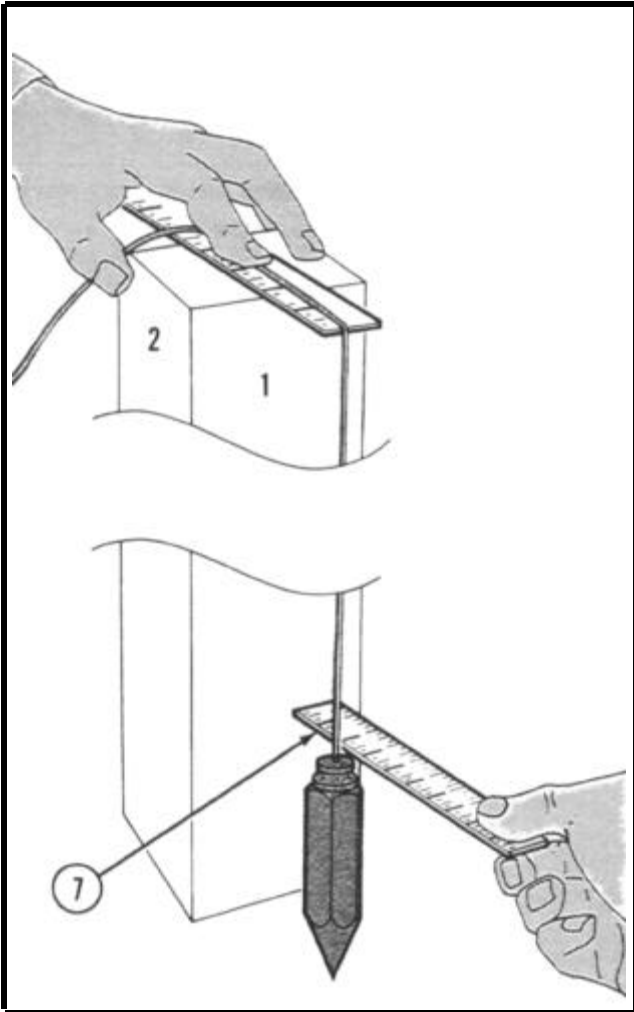


- 5** Place a ruler (5) on the top of the post (6) so that it extends 2 inches beyond an edge.

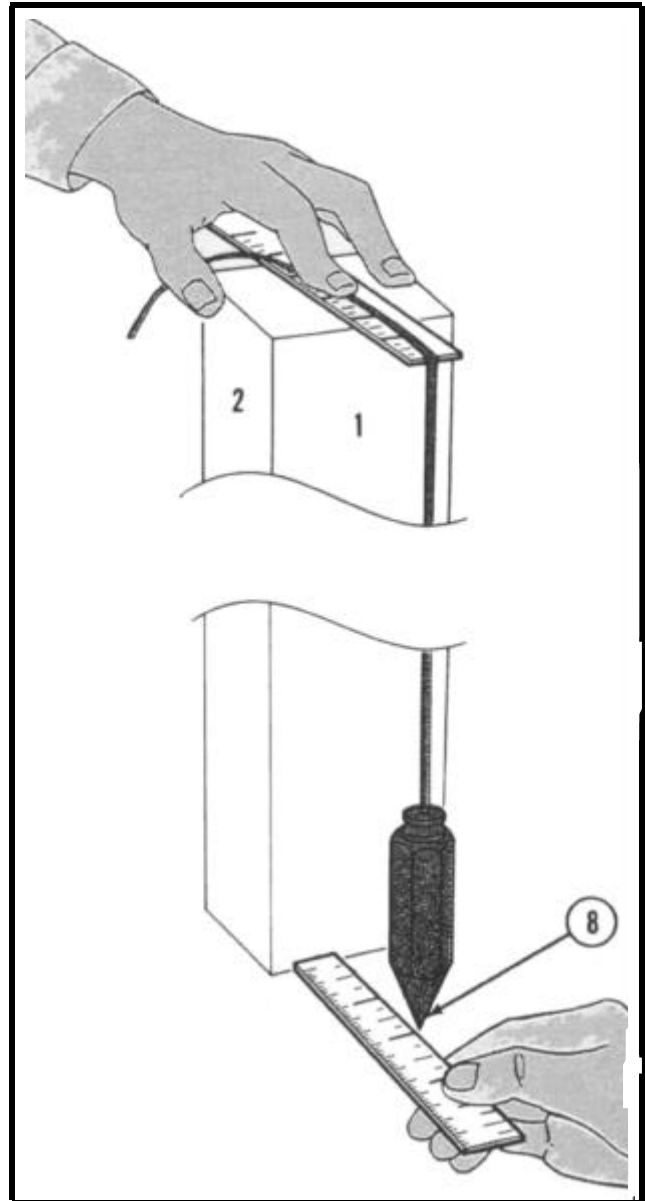


- 6** Hang string and plumb bob so they extend over end of ruler and the plumb bob is just above the ground surface.

USING A PLUMB BOB - Continued



- 7 Have the assistant measure distance (7) from post to string just above the plumb bob. It should read 2 inches. If it doesn't, move the base or the top of the post right or left until you get a 2-inch reading on both rules.



When extreme accuracy is desired, measurement would be taken to the point of the plumb bob (8). Repeat steps 5, 6, and 7 on side 2.

CARE OF PLUMB BOBS



Handle plumb bobs with care. Do not use a plumb bob as a hammer or lever. Lightly coat plumb bobs with lubricating oil for short periods of storage. For long-term storage, apply a heavy coat of oil and wrap the plumb bob in oil-soaked paper.

Store plumb bobs in a protective box in a dry place.

Make certain threads of removable caps (1) and points (2) are lightly coated with lubricant and placed in a protective box.

Chapter 12 SCRIBERS

HOW TO CHOOSE AND USE THEM

The "Types and Uses" section provides you with a list of the types of scribers. These pages should help you select the right scriber for the job.

The "Using Scribers" section tells you how to use the scriber to scribe an orientation mark. The "Care" procedures tell you how to care for the scribers.



INDEX

<i>Item</i>	<i>Page</i>
TYPES AND USES	12-2
Machinist's scribers	12-2
USING	12-2
CARE	12-3

TYPES AND USES

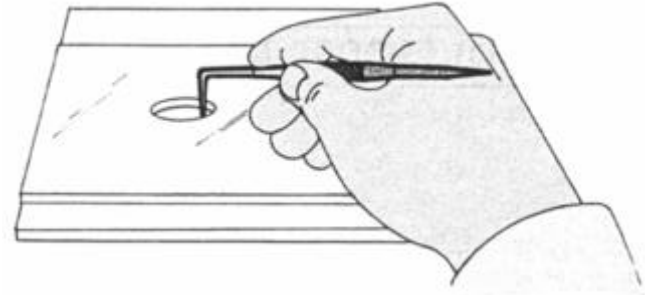
MACHINIST'S SCRIBERS

①



The machinist's scriber is used to mark or score on steel, glass, aluminum, copper or similar surfaces. There are two basic types of machinist's scribers, single point pocket (1) and bent point-straight point (2).

②



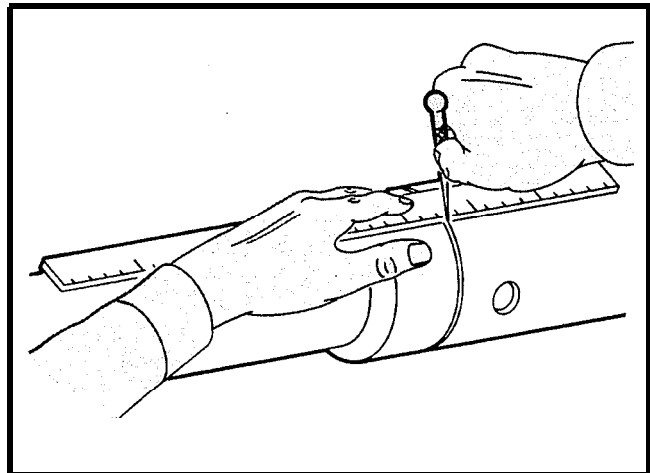
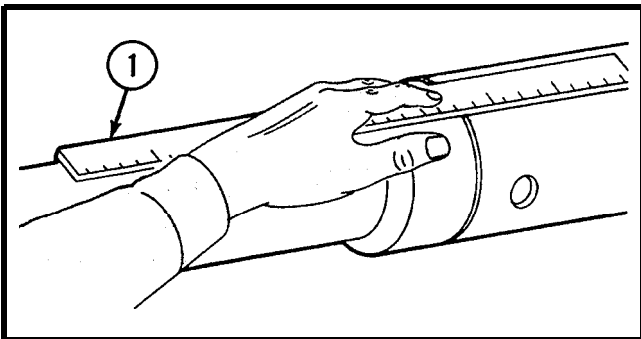
The bent point is used to scribe through holes or other hard to reach places.

Tungsten carbide tips have extremely hard points and are used on hardened steel or glass.

USING A MACHINIST'S SCRIBER

NOTE

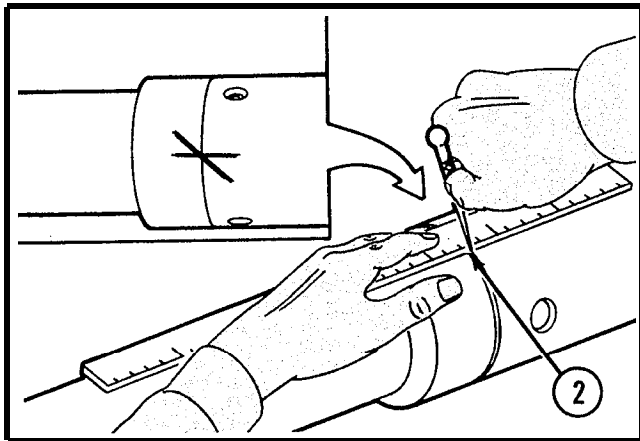
The following procedure for scribing an alignment mark on a telescope is not the only use of a scriber.



1 Place material to be marked on a firm surface. Place a steel rule or straight edge (1) on the work beside the line to be scribed.

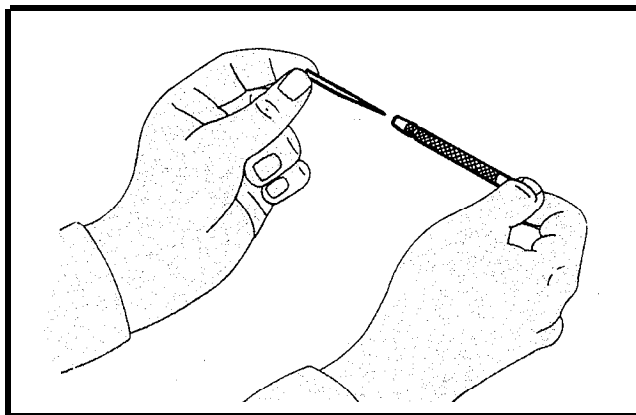
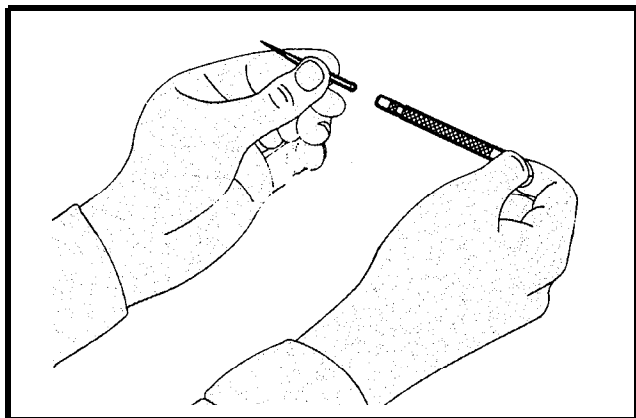
2 Use finger tips of one hand to hold the straight edge securely. Hold the scriber in your hand as you would a pencil.

USING A MACHINIST'S SCRIBER - Continued

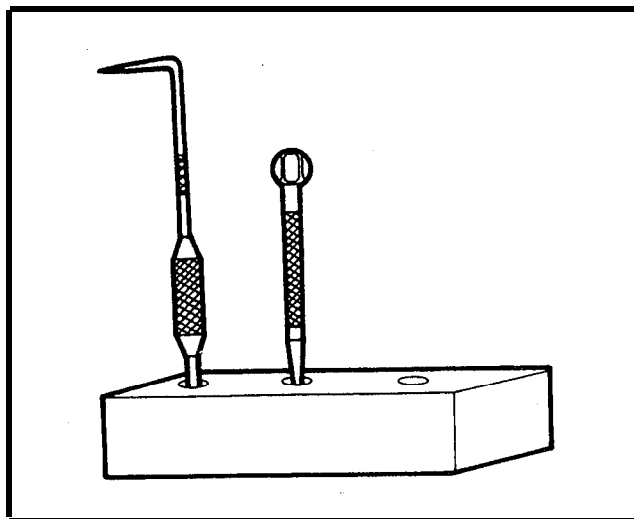


- 3 Scribe the line by drawing the scriber (2) along the straight edge at a 45 degree angle and tipped in the direction it is being moved.

CARE OF SCRIBERS



Protect points by reversing them in the handle or placing a cork or a piece of soft wood over point.
Keep the scribers clean and lightly oiled.



Stow on a rack or in a box.

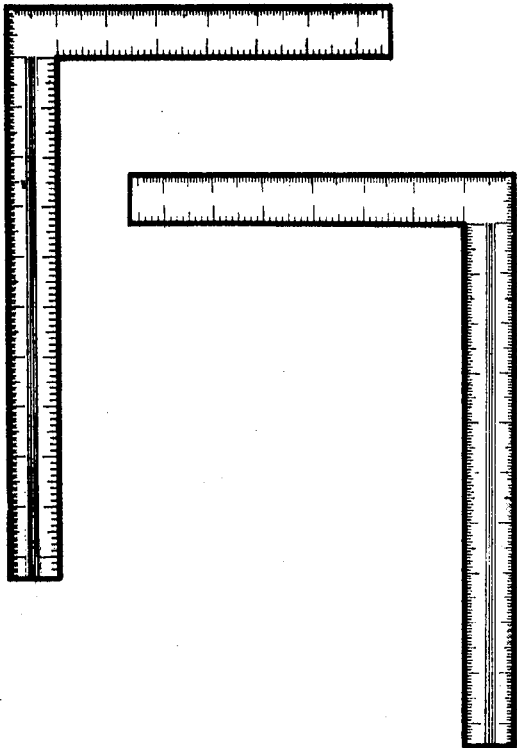
Do not use scribers for other than intended purposes.

Chapter 13 SQUARES

HOW TO CHOOSE AND USE THEM

The "Types and Uses" section provides you with a list of the types of squares. These pages should help you select the right square for the job.

The "Using Squares" section tells you how to use a square to perform its various functions. The "Care" procedures tell you how to care for squares.

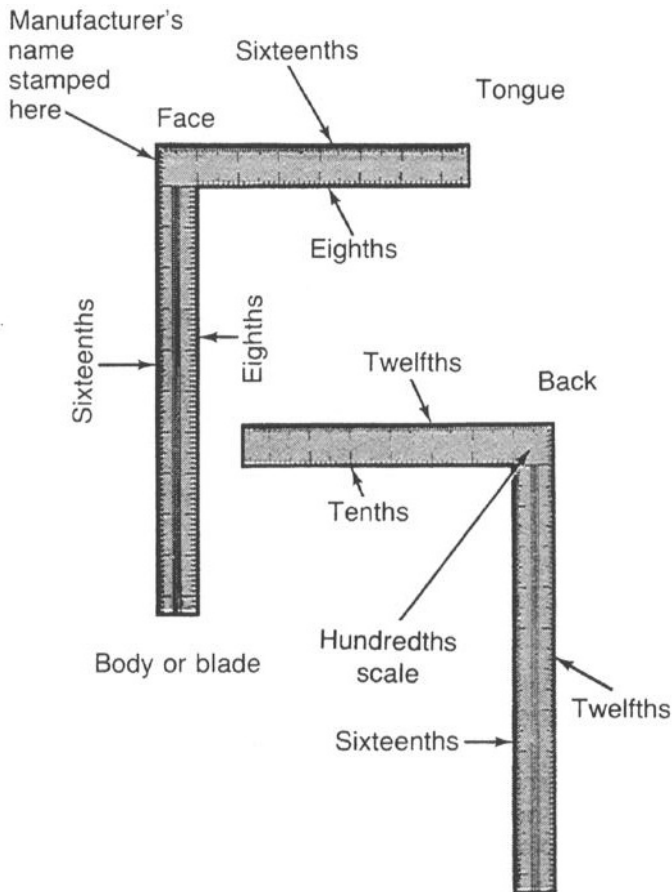


INDEX

<i>Item</i>	<i>Page</i>
TYPES AND USES	13-2
Carpenter's square	13-2
Try square	13-3
Combination square	13-3
Sliding T-bevel	13-4
Bevel protractor	13-4
USING	13-4
CARE	13-8

TYPES AND USES

CARPENTER'S SQUARE

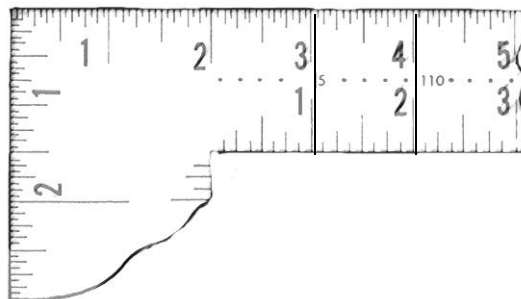


The carpenter's square is made up of two parts: the body or blade, and the tongue. It has inches divided into eighths, tenths, twelfths, and sixteenths.

The face side contains the manufacturer's name and the inches are divided into eighths and sixteenths as shown. There are two tables down the center.

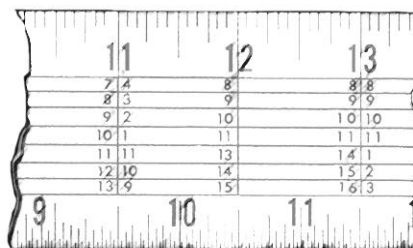


The rafter table is used for determining the length and cut of rafters.

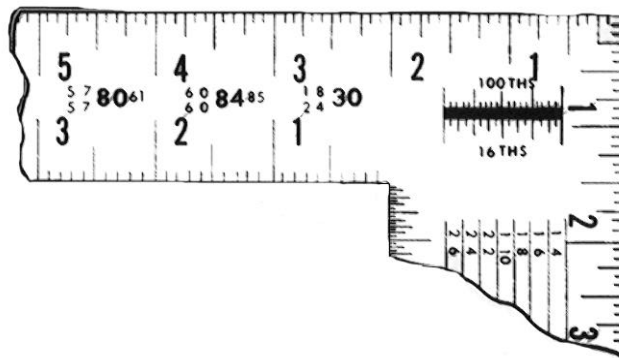


The octagon or eight square scale is used for cutting an octagon from a square piece of material.

The back side contains the hundredths scale and is divided into tenths, twelfths, and sixteenths as shown. There are two tables down the center.



The essex board measure is used to compute the number of board feet in a given piece of lumber.



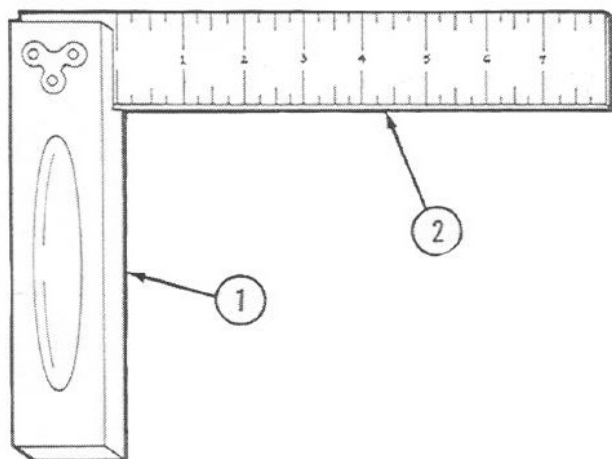
The brace measure is used to find the exact lengths of common braces.

TYPES AND USES - Continued

The following scales or inch divisions are found on the carpenter's square:

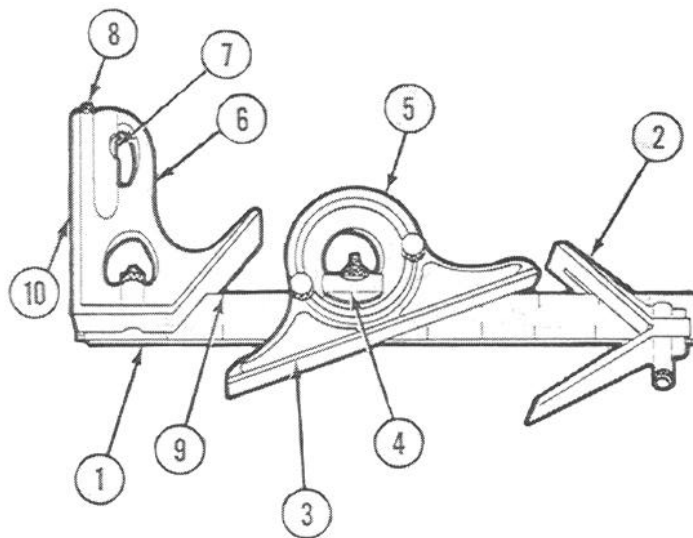
Face of body	outside edge	inches and sixteenths
Face of body	inside edge	inches and eighths
Face of tongue	outside edge	inches and sixteenths
Face of tongue	inside edge	inches and eighths
Back of body	outside edge	inches and twelfths
Back of body	inside edge	inches and sixteenths
Back of tongue	outside edge	inches and twelfths
Back of tongue	inside edge	inches and tenths

TRY SQUARE



The try square is made of a steel or wood stock (1) and a blade (2). The blade is from 2 to 12 inches long and is graduated in eighths. The try square is used to set or check lines which are at right angles (90 degrees) to each other.

COMBINATION SQUARE

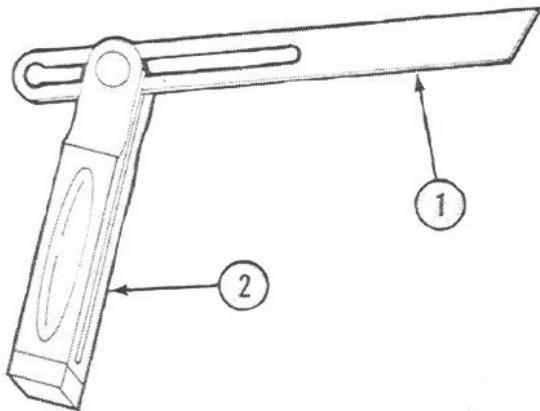


The combination square is made up of the following components:

1. A slotted 12-inch stainless steel rule (1) which is graduated in eighths, sixteenths, thirty-seconds, and sixty-fourths of an inch. It can be used as a measuring scale by itself or with any one of the following components.
2. The center head (2) when attached to the rule, bisects a 90 degree angle. It's used for determining the center of cylindrical work.
3. The protractor (3) has a level (4) and a revolving turret (5) which is graduated in degrees from 0 to 180 or 0 to 90 in either direction. It is used to lay out and measure angles to within one degree.
4. The square head (6) has a level (7), a scribe (8), and 45 degree (9) and 90 degree sides (10). It is used to lay out 45 and 90 degree angles and to check level. It may also be used as a height or depth gage.

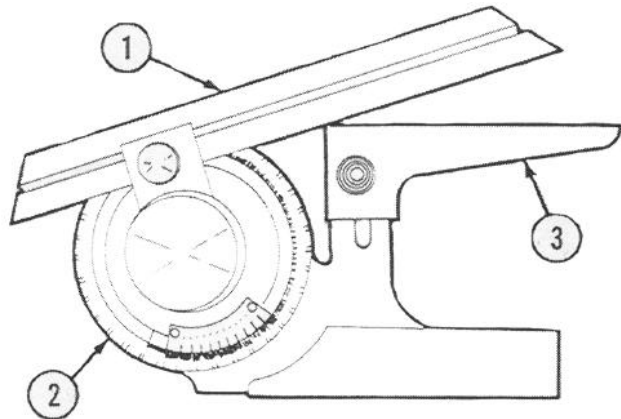
TYPES AND USES - Continued

SLIDING T-BEVEL



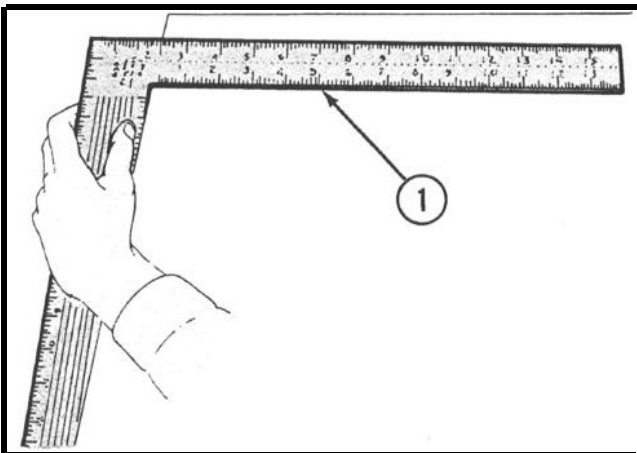
The sliding T-bevel is made up of a slotted blade (1) and a solid stock (2). The blade is adjustable so it can be set to measure any angle. The T-bevel is used for testing bevels and laying out angles.

BEVEL PROTRACTOR



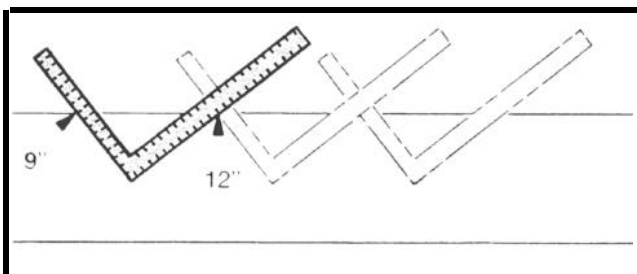
The bevel protractor is made up of an adjustable blade (1) and a graduated dial (2) which contains a vernier scale. The bevel protractor is used to establish an angle and determine its relationship to other surfaces. The acute angle attachment (3) is used for measuring acute angles accurately.

USING A CARPENTER'S SQUARE TO MARK A SQUARE LINE



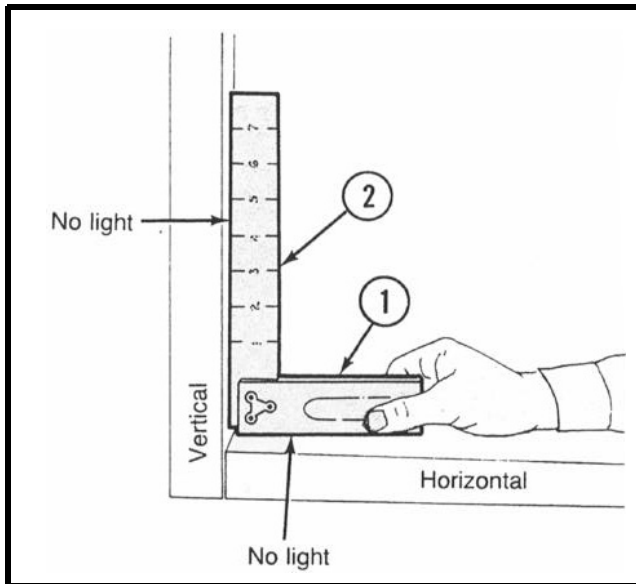
- 1 To mark a square line, place the blade or tongue (1) of the square against the side of the material with the square tilted slightly so the blade or tongue of the square extends across the work.
- 2 Mark a line across the work using a pencil or marking crayon.

USING A CARPENTER'S SQUARE TO LAY OUT STEPS

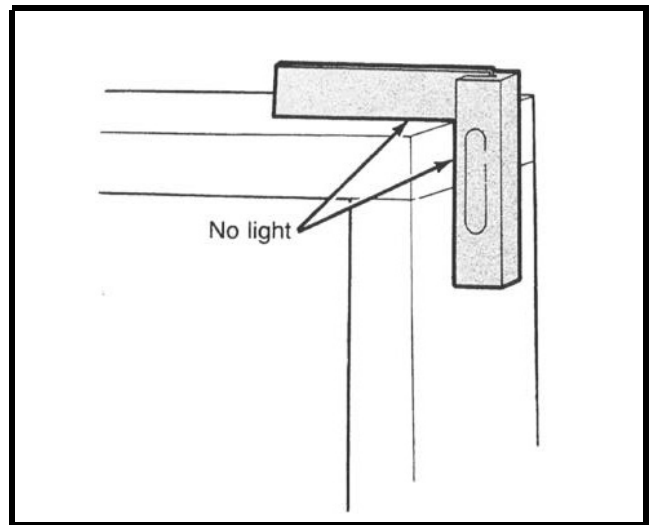


- 1 The following example shows proper square position when marking cut lines for a series of steps 9" x 12."
- 2 Continue the process until desired number of steps has been laid out.

USING A TRY SQUARE

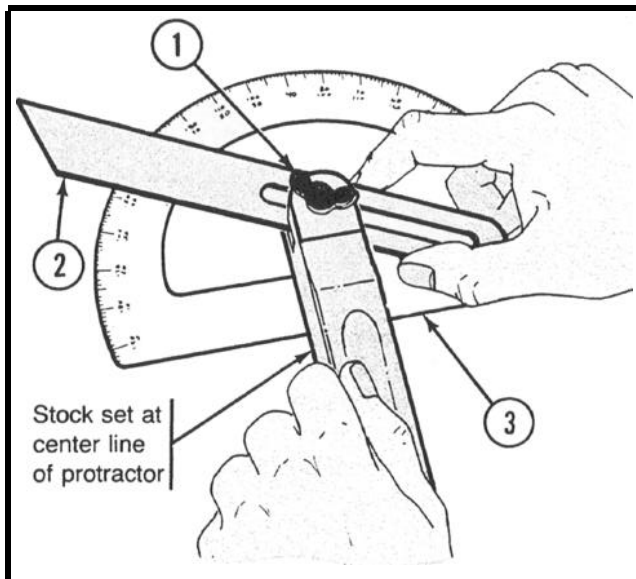


- 1 To check a square joint, place the stock (1) against a horizontal section and the blade (2) against a vertical section. Light must not be seen around blade edge. If light is seen, the work is not square.

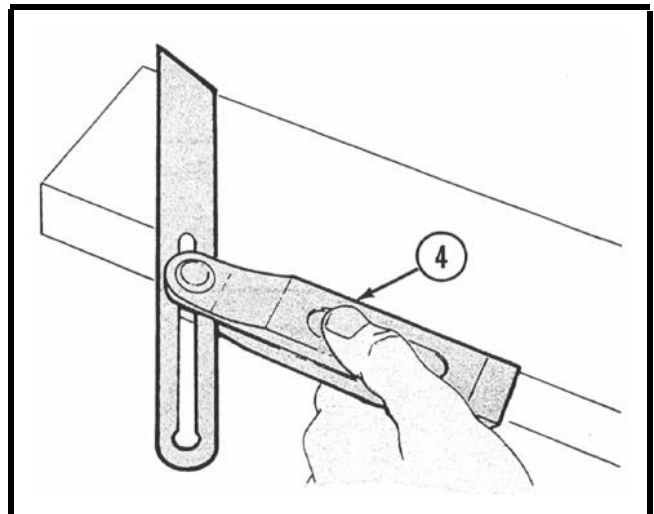


- 2 To check the end of a board, place stock on vertical edge and extend blade over the end. Light must not be seen around blade edge. If light is seen, the work is not square.

USING A SLIDING T-BEVEL SQUARE

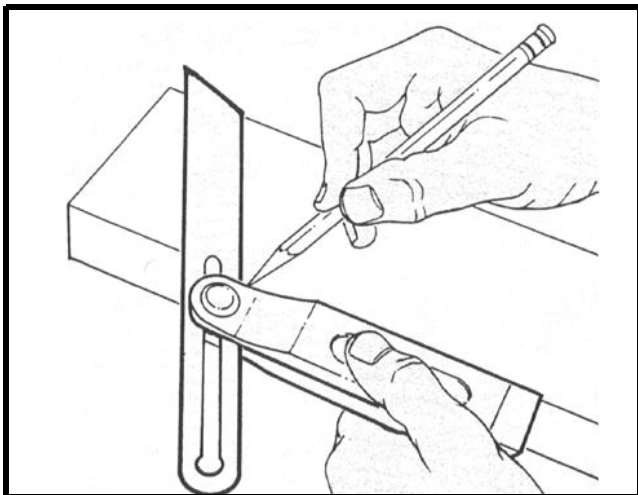


- 1 Loosen locking nut (1) and adjust blade (2) to measure a desired angle using protractor (3). Tighten locking nut (1).



- 2 The angle may now be laid out by extending the blade across the board with the stock (4) held firmly against the edge.

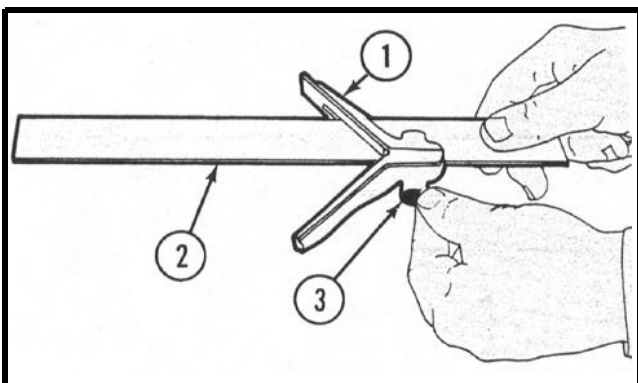
USING A SLIDING T-BEVEL SQUARE - Continued



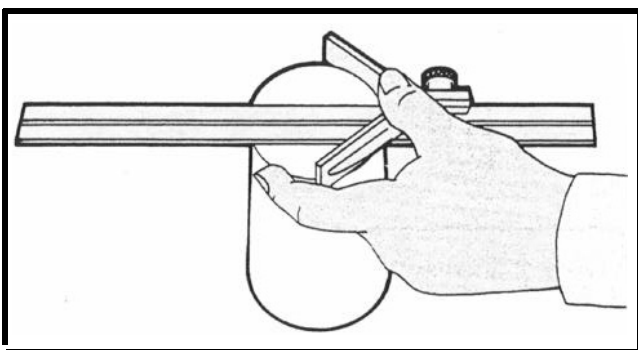
- 3 Mark with a pencil or marking crayon. Make sure the square does not move while marking.

USING A COMBINATION SQUARE

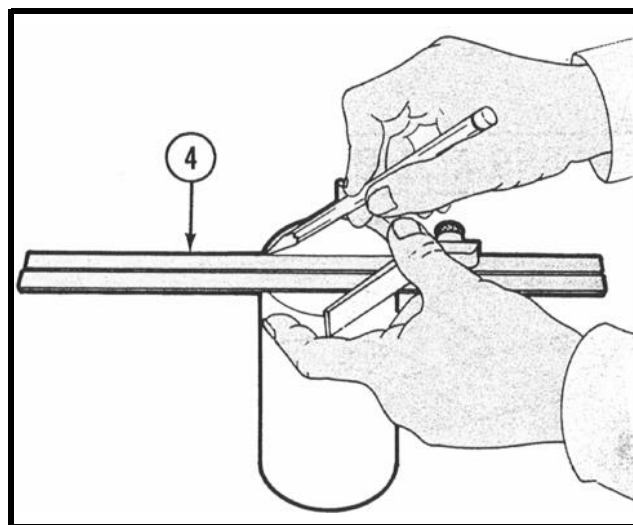
Using as a center head to find the diameter of a cylinder:



- 1 Slide center head (1) on rule (2) and fasten by tightening setscrew (3).



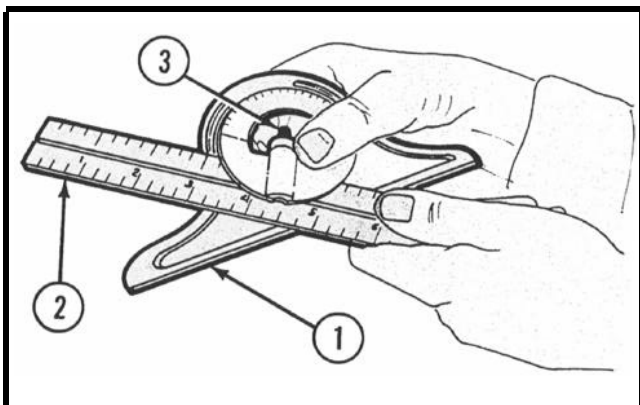
- 2 Put the center head flush against the cylinder.



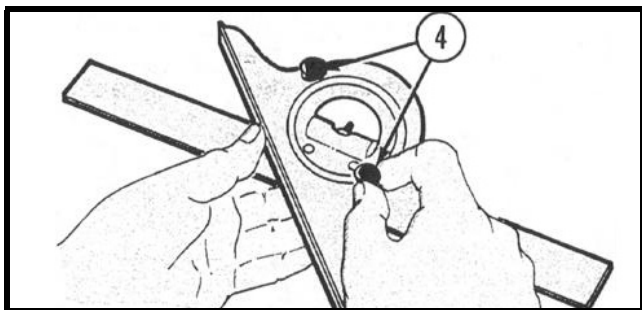
- 3 Mark the diameter on the cylinder using a pencil or marking crayon by drawing a straight line along the inside edge (4). Make sure the square does not slip while marking.

USING A COMBINATION SQUARE - Continued

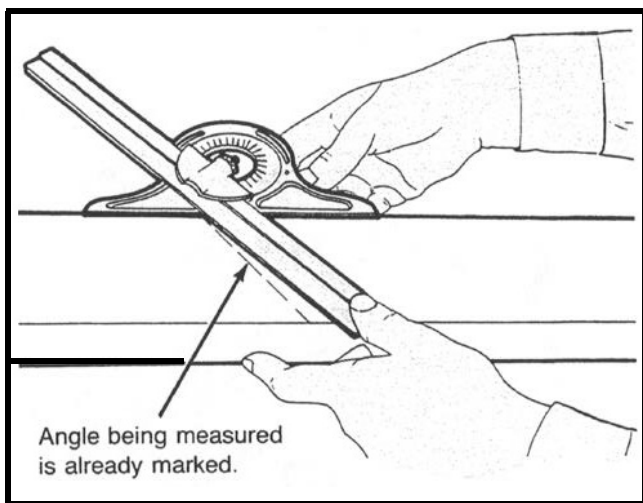
Using as a protractor head to determine an angle:



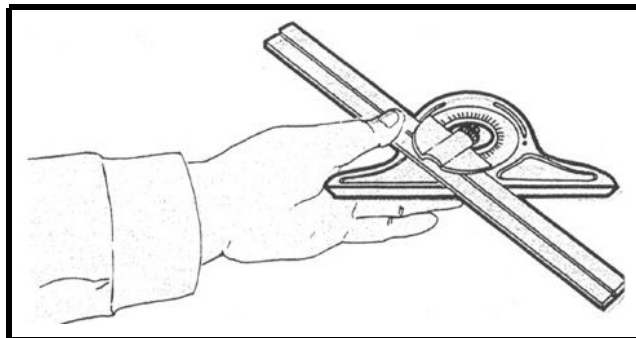
- 1 Slide protractor head (1) on rule (2) and fasten by tightening setscrew (3).



Loosen the protractor adjustment screws (4) so the protractor may be pivoted about the rule. Angle being measured is already marked.

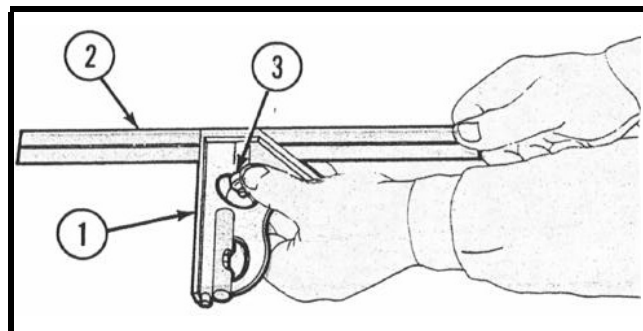


- 3 Place the rule on the angle being measured and pivot the protractor head against the edge. Tighten adjustment screws.

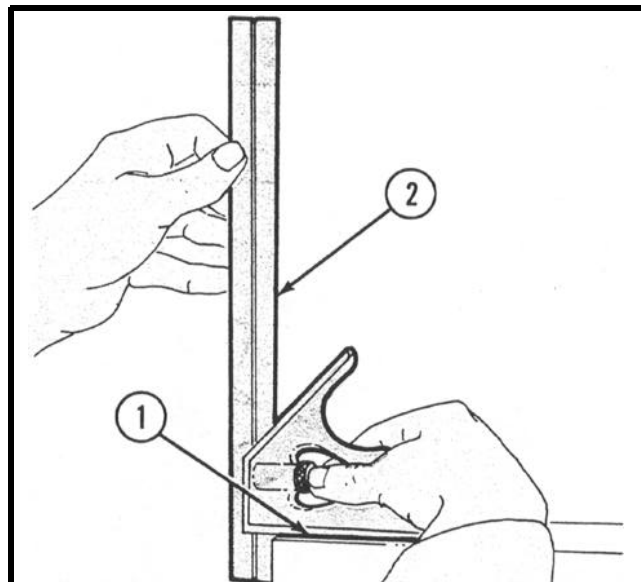


- 4 Remove and read measured angle on protractor scale.

Using as a combination square to determine depth:

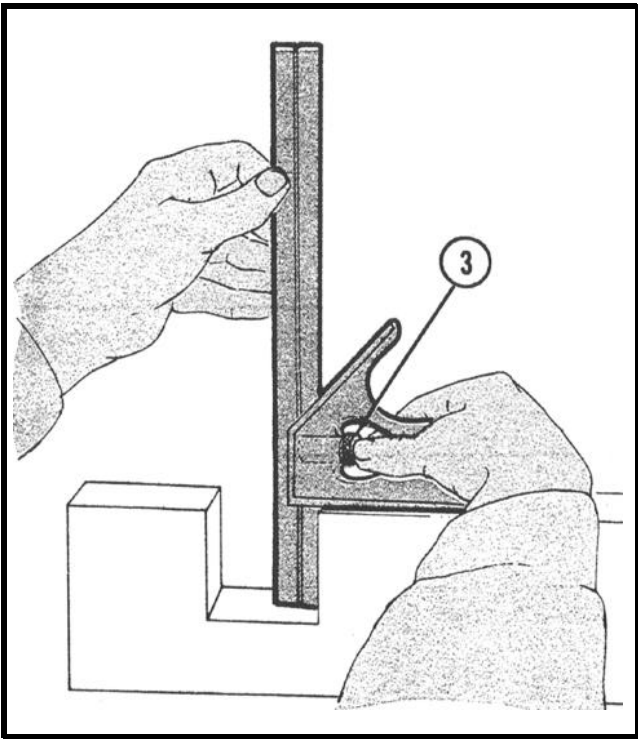


- 1 Slide square head (1) on rule (2) and fasten by tightening setscrew (3).
- 2 Loosen setscrew.

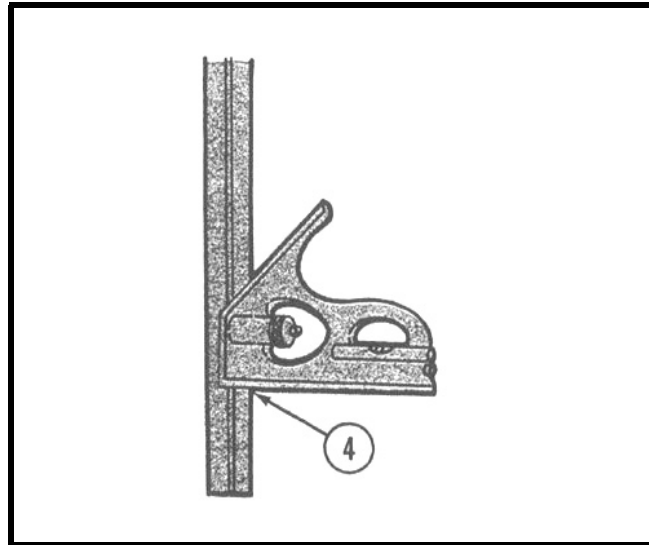


- 3 Set the flat surface of the square head (1) above the hole and adjust the rule (2) until it hits the bottom.

USING A COMBINATION SQUARE - Continued

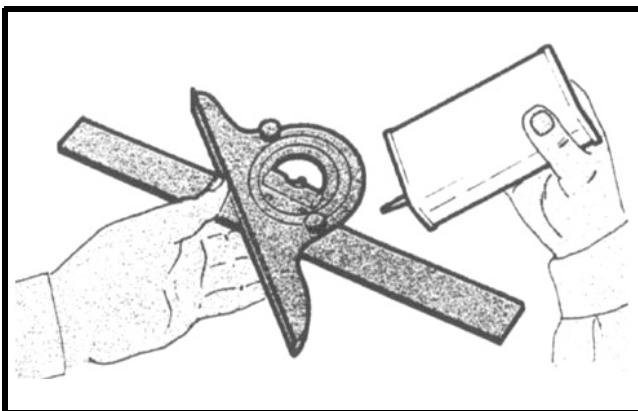


4 Tighten setscrew (3).



5 Remove the combination square and read the depth at the intersection of the rule and the square head (4).

CARE OF SQUARES



Make sure squares are kept clean.

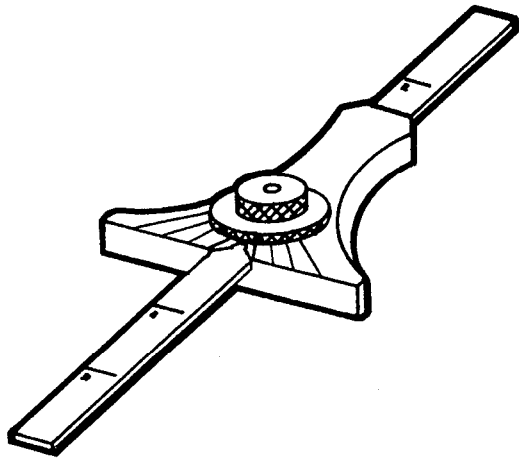
Apply a light coat of oil to all metal surfaces after using.

A square with a loose stock is no good. Replace the square.

Chapter 14 SURFACE, DEPTH, AND HEIGHT GAGES

HOW TO CHOOSE AND USE THEM

The "Types and Uses" section provides you with a list of the types of gages. These pages should help you select the right gage for the job. The "Using" section tells you how to use the gages for their intended purposes. The "Care" procedures tell you how to keep your gages in good condition.

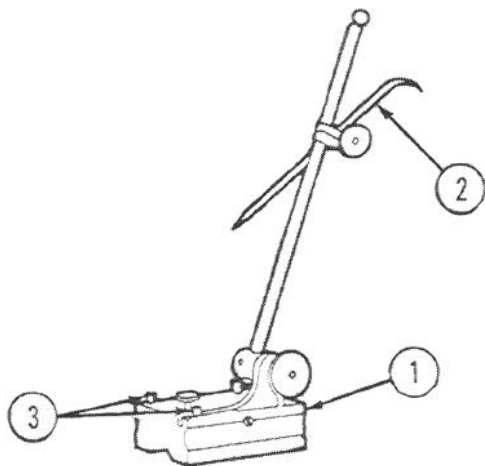


INDEX

<i>Item</i>	<i>Page</i>
TYPES AND USES	14-2
Surface gage	14-2
Depth gage	14-2
Height gage	14-3
Surface plate	14-3
USING	14-4
CARE	14-5

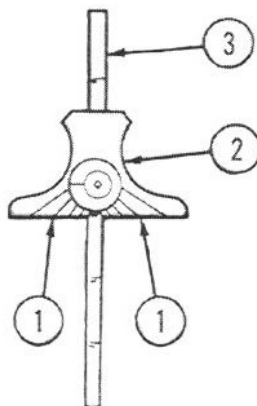
TYPES AND USES

SURFACE GAGE



A surface gage is a measuring tool used to transfer measurements to work by scribing a line, and to indicate the accuracy or parallelism of surfaces. The surface gage consists of a base with an adjustable spindle (1) to which may be clamped a scriber or an indicator (2). Surface gages are made in several sizes and are classified by the length of the spindle. The smallest spindle is 4 inches long, the average 9 to 12 inches, and the largest 18 inches. The scriber is fastened to the spindle with a clamp. The bottom and the front end of the base of the surface gage have deep V-grooves. The grooves allow the gage to measure from a cylindrical surface. The base has two gage pins (3). They are used against the edge of a surface plate or slot to prevent movement or slippage.

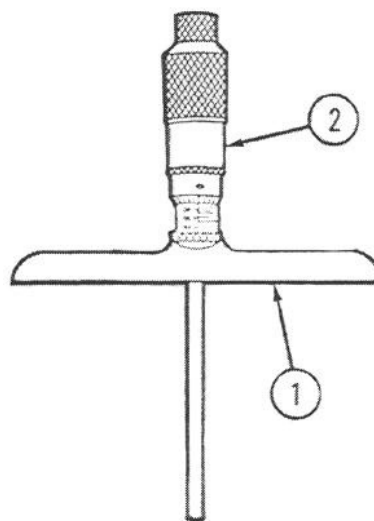
RULE DEPTH GAGE



A rule depth gage measures the depth of holes, slots, counterbores, and recesses. Some rule depth gages, such as the one shown above, can also be used to measure angles. This is done by using the angle

marks (1) located on the sliding head (2). The rule depth gage is a graduated rule (3) with a sliding head (2) designed to bridge a hole or slot. The gage holds the rule at a right angle to the surface when taking measurements. This type has a measuring range of 0 to 5 inches. The sliding head has a clamping screw so that it may be clamped in any position. The sliding head is flat and perpendicular to the axis of the rule. It ranges in size from 2 to 2-5/8 inches wide and from 1/8 to 1/4 inch thick.

MICROMETER DEPTH GAGE



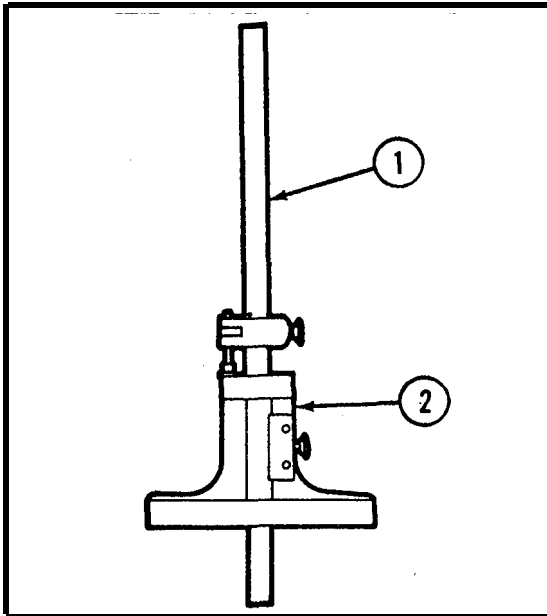
The micrometer depth gage consists of a flat base (1) that is attached to the barrel of a micrometer head (2). These gages have a range from 0 to 9 inches, depending on the length of extension rod used. The hollow micrometer screw has a 1/2 or 1 inch range. Some are provided with a ratchet stop. The flat base ranges in size from 2 to 6 inches. Several extension rods are supplied with this type gage:

NOTE

For additional information on micrometers, see chapter 7 in this manual.

TYPES AND USES - Continued

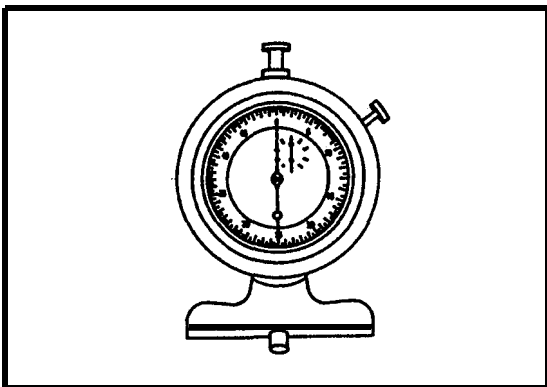
VERNIER DEPTH GAGE



The vernier depth gage consists of a graduated scale (1) either 6 or 12 inches long. It also has a sliding head (2) similar to the one on the vernier caliper. (See chapter 6, Using Vernier Caliper).

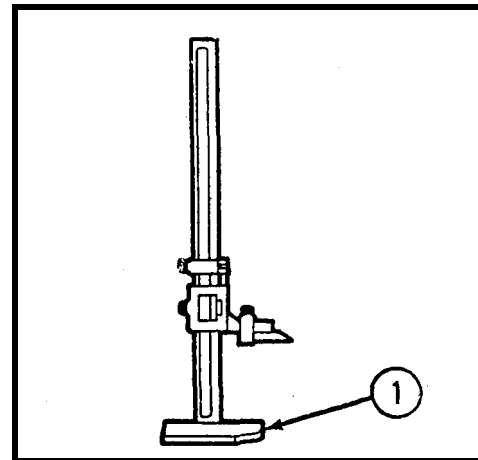
The sliding head is designed to bridge holes and slots. The vernier depth gage has the range of the rule depth gage. It does not have quite the accuracy of a micrometer depth gage. It cannot enter holes less than 1/4 inch in diameter. However, it will enter a 1/32-inch slot. The vernier scale is adjustable and may be adjusted to compensate for wear.

DIAL DEPTH GAGE



Dial depth gages are for rapidly checking depths of holes, recesses, slots, scratches, and paint thicknesses. It should be noted that measurements made with depth gages should be on a longitudinal axis. The depth gage will give direct readings on the dial in half-thousandths of an inch (0.0005 in.); press the push button down until the measuring rod contacts the work and read the depth on the dial.

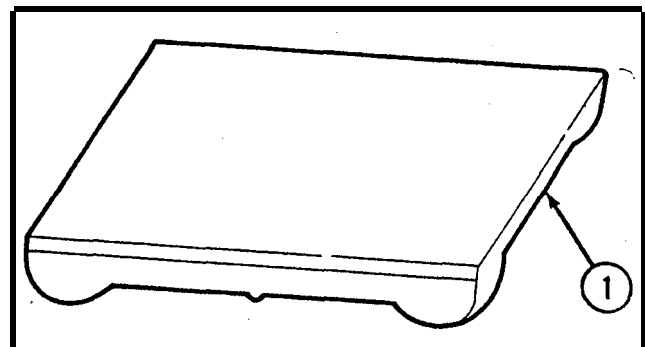
HEIGHT GAGE



A height gage is used in the layout of jigs and fixtures. On a bench, it is used to check the location of holes and surfaces. It accurately measures and marks off vertical distances from a plane surface.

The vernier height gage is a caliper with a special base (1) to adapt it for use on a surface plate. Height gages are available in several sizes. Most common are the 10, 18, and 24-inch gages in English measure. The most common metric gages are the 25 and 46-centimeter sizes. Height gages are classified by the dimension they will measure above the surface plate. Like the vernier caliper (see chapter 6, Reading a Vernier Caliper), height gages are graduated in divisions of 0.025 inch. Its vernier scale is divided into 25 units for reading thousandths of an inch.

SURFACE PLATE



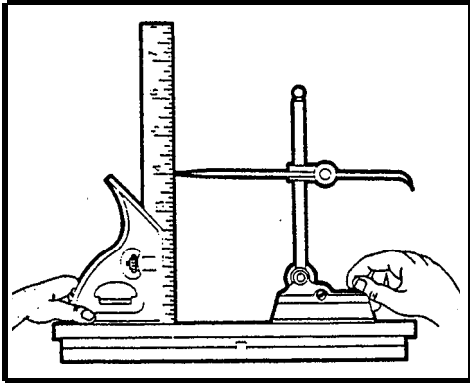
A surface plate provides a true, smooth, plane surface. It is often used as a level base for surface and height gages from which to make accurate measurements.

Surface plates are usually made of close grained cast iron (1), are rectangular in shape, and come in a variety of sizes.

USING THE SURFACE, DEPTH, AND HEIGHT GAGES

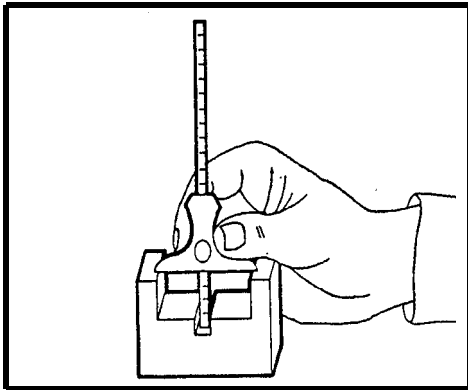
Below are examples of how each of the gages mentioned in this chapter can be used.

USING A SURFACE GAGE



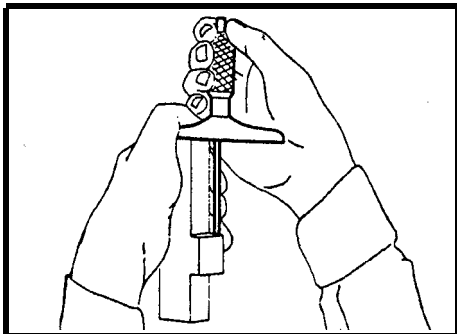
Setting gage for transfer of 4-inch vertical measurement.

USING A RULE DEPTH GAGE



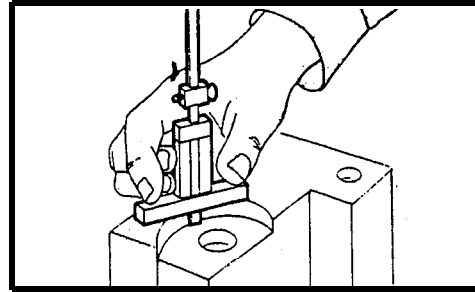
Measuring the distance from a surface to a recessed point.

USING A MICROMETER DEPTH GAGE



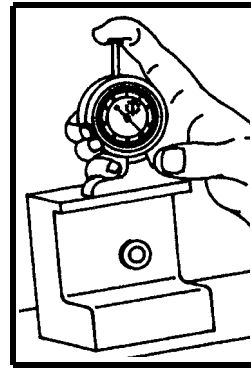
Measuring projection depth with micrometer precision.

USING A VERNIER DEPTH GAGE



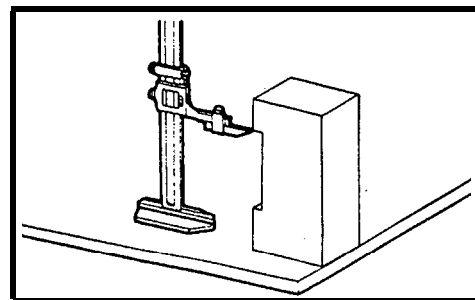
Measuring hole depth of die from a given surface.

USING A DIAL DEPTH GAGE



Measuring depths of holes, recesses, slots, scratches, and paint thicknesses.

USING A HEIGHT GAGE



Measuring vertical distance from a plane surface.

CARE OF SURFACE, HEIGHT, AND DEPTH GAGES

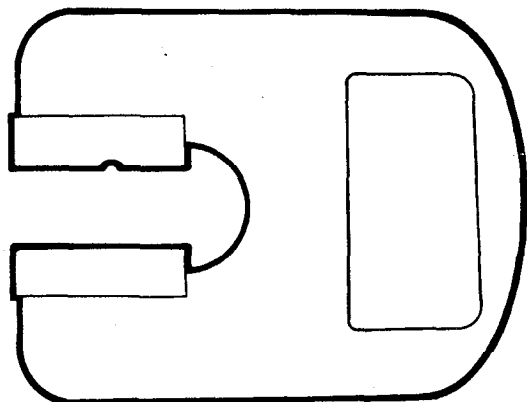
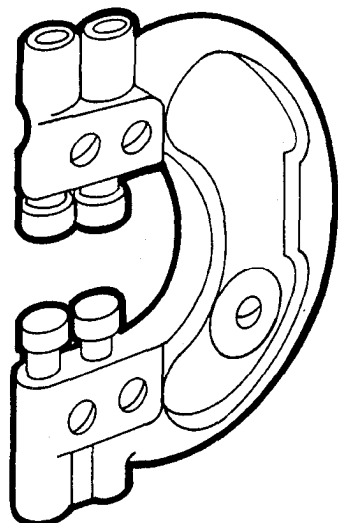
1. Coat all metal parts of gages with a light coat of oil to prevent rust.
2. Carefully store gages when not in use. Use separate containers if provided by manufacturer.
3. Keep graduations and markings clean and legible.
4. Do not drop any gage. Small nicks and scratches can cause inaccurate measurements.
5. Protect all pointed gage parts from damage.

Chapter 15 RING AND SNAP GAGES AND GAGE BLOCKS

HOW TO CHOOSE AND USE THEM

The "Types and Uses" section provides you with a list of the types of gages. These pages should help you select the right gage for the job.

The "Using" section tells you how to use the gages to make a measurement. The "Care" procedures tell you how to care for the gages.

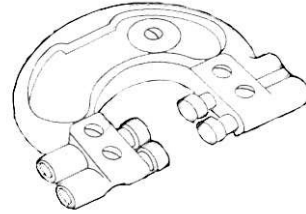


INDEX

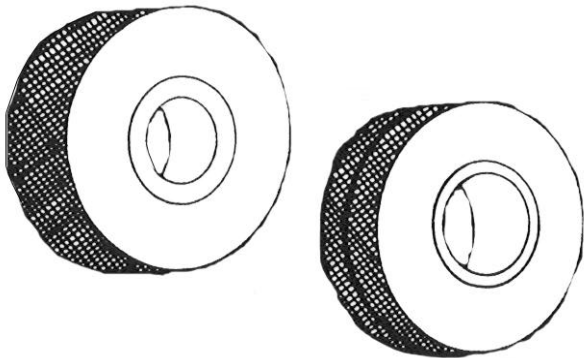
<i>item</i>	<i>Page</i>
TYPES AND USES.....	15-2
Ring gages	15-3
Snap gages	15-3
Gage blocks	15-4
USING	15-4
CARE	15-9

TYPES AND USES

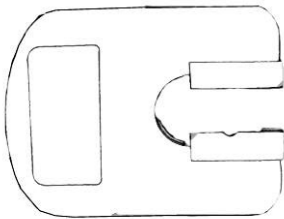
Ring and snap gages and precision gage blocks are used as standards to determine whether or not one or more dimensions of a manufactured part are within specified limits. Their measurements are included in the construction of each gage, and they are called fixed gages. However, some snap gages are adjustable. Gages are used for a wide range of work, from rough machining to the finest tool and die making. The accuracy required of the same type of gage will be different, depending on the use.



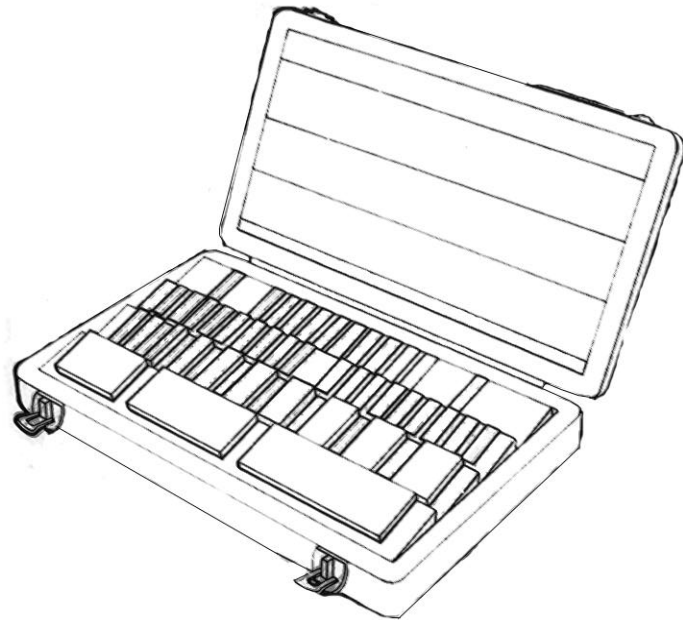
SNAP GAGE - ADJUSTABLE



RING GAGES



SNAP GAGE - NONADJUSTABLE



GAGE BLOCKS

The following classes of gages and their limits of accuracy are standard for all makes:

Class X - Precision lapped to close tolerances for many types of masters and the highest quality working and inspection gages.

Class Y - Good lapped finish to slightly increased tolerances for inspection and working gages.

Class Z - Commercial finish (ground and polished, but not fully lapped) for a large percentage of working gages in which tolerances are fairly wide, and where production quantities are not so large.

Class ZZ - (Ring gages only). Ground only to meet the demand for an inexpensive gage, where quantities are small and tolerances liberal.

The table below lists the tolerances for ring gages in each class:

ABOVE	TO AND INCL	X	Y	Z	RING GAGES ZZ
0.029	0.825	0.00004	0.00007	0.00010	0.00020
0.825	1.510	0.00006	0.00009	0.00012	0.00024
1.510	2.510	0.00008	0.00012	0.00016	0.00032
2.510	4.510	0.00010	0.00015	0.00020	0.00040
4.510	6.510	0.00013	0.00019	0.00025	0.00050
6.510	9.010	0.00016	0.00024	0.00032	0.00064
9.010	12.010	0.00020	0.00030	0.00040	0.00080

X Precision lapped

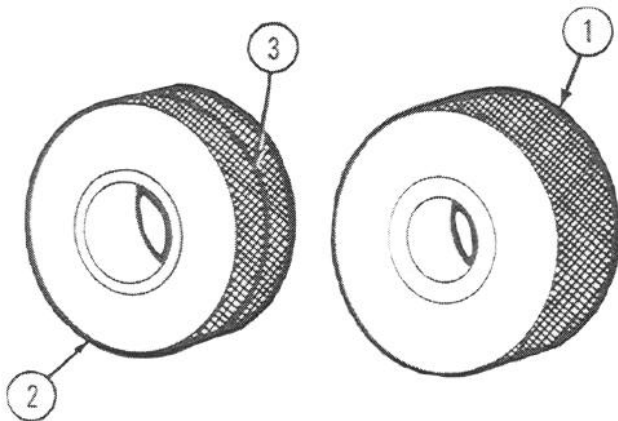
Y Lapped

Z Ground or polished (grinding marks may be in evidence),

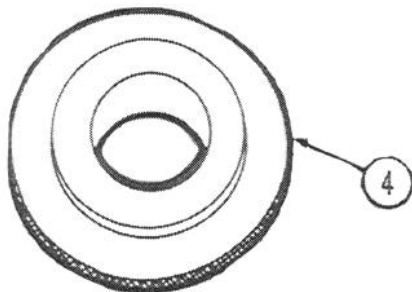
ZZ Ground only

TYPES AND USES

RING GAGES

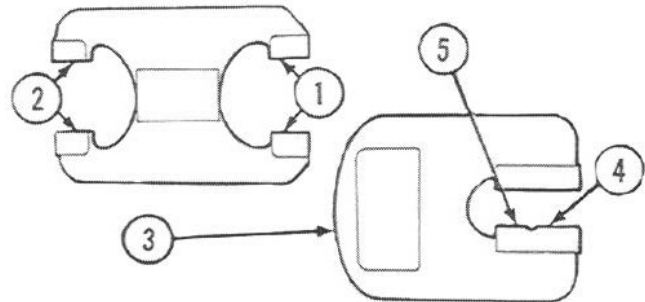


The plain ring gage is an external gage of circular form. For sizes between 0.059 and 0.510 inch, ring gages are made with a hardened bushing pressed into a soft body. The thickness of the gage will range from 3/16 to 1-5/16 inches. On ring gages, the GO gage (1) is larger than the NO GO gage (2). The GO and NO GO ring gages are separate units. They can be distinguished from each other by an annular groove (3) cut in the knurled outer surface of the NO GO gage. Ring gages made for diameters of 0.510 to 1.510 inches are the same as those shown above, except there is no bushing; they are made all in one piece. Ring gages, sized from 1.510 to 5.510 inches are made with a flange (4). This design reduces the weight, making the larger sizes easier to handle.



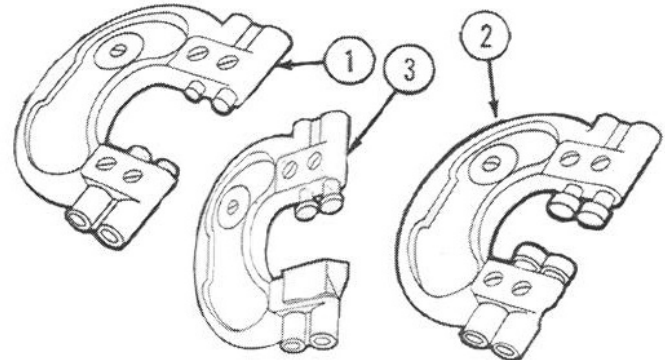
Ring gages are used more often in the inspection of finished parts than parts in process. The reason for this is that the finished parts are usually readily accessible; whereas, parts in a machine that are supported at both ends would have to be removed to be checked.

SNAP GAGES



The plain snap gage is made in two general types, the nonadjustable and adjustable.

The nonadjustable type is a solid construction, having two gaging members, GO (1) and NO GO (2) as shown above. The part to be inspected is first tried on the GO side and then the gage is reversed and the part tried on the NO GO side. Some solid snap gages (3) have combined gaging members in the same set of jaws as shown above, known as a progressive snap gage. The outer member (4) gages the GO dimension and the inner member (5) the NO GO dimension.



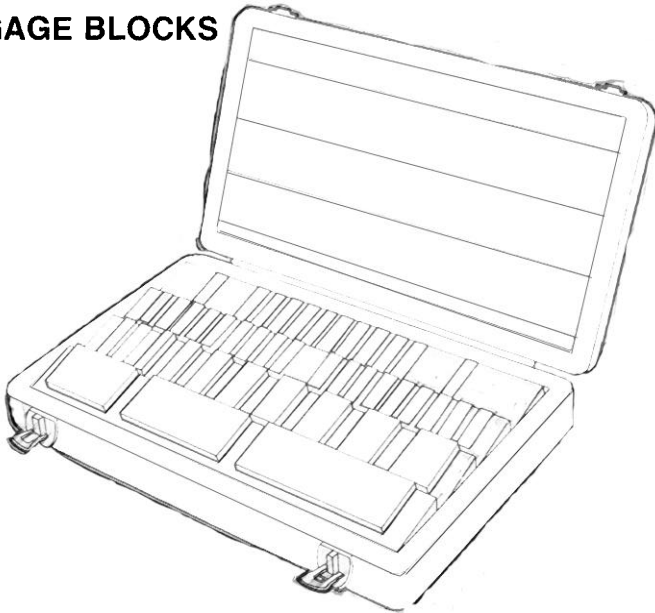
Three standard designs of the adjustable type are available, consisting of a light, rigid frame with adjustable gaging pins, buttons, or anvils. These pins or buttons may be securely locked in place after adjustment, and locking screws are tightened to hold the gaging dimensions.

One type of adjustable snap gage is made in sizes that range from 1/2 to 12 inches (1). It is equipped with four gaging pins and is suitable for checking the dimension between surfaces. Another type is made in sizes that range from 1/2 to 11-1/4 inches (2). It is equipped with four gaging buttons and is suitable for checking flat or cylindrical work.

The third type is made in sizes from 1/2 to 11-5/8 inches (3). It is equipped with two gaging buttons and a single block anvil, and is especially suitable for checking the diameters of shafts, pins, studs, and hubs.

TYPES AND USES - Continued

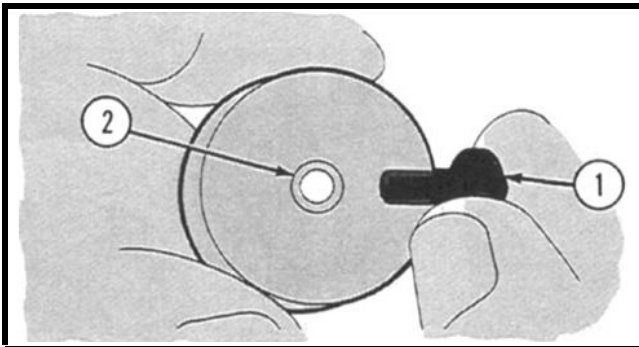
GAGE BLOCKS



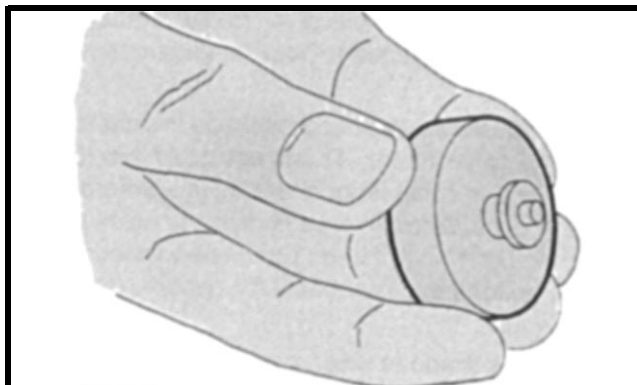
Gage blocks are available in sets of from 5 to as many as 85 blocks of different dimensions. Precision gage blocks are made from a special alloy steel. They are hardened, ground, and then stabilized over a period of time to reduce subsequent waxing. They are rectangular in shape with measuring surfaces on opposite sides. The measuring surfaces are lapped and polished to an optically flat surface and the distance between them is the measuring dimension. This dimension may range from 0.010 inch up to 20 inches.

USING A RING GAGE

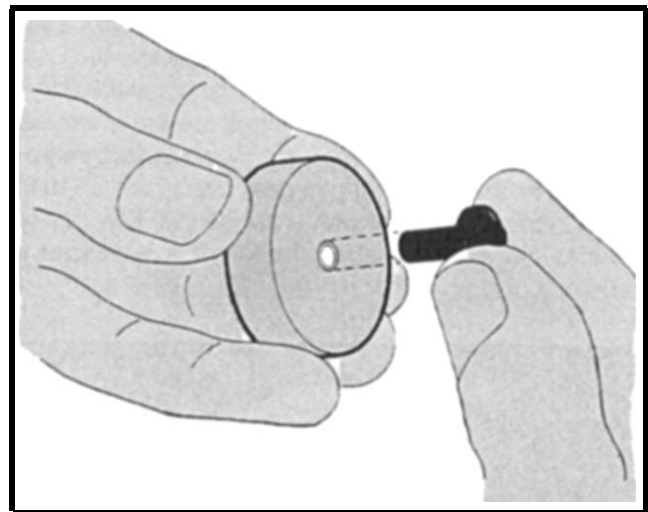
To check the shank diameter of a pivot stud.



- 1 Line the stud (1) up with the hole (2) and press in gently. If the stud will not go in, the shank is too large. If it will go in, the stud is not oversize.



- 2 With the stud in the hole, check the piece for taper and out-of-roundness by sensing any wobble.



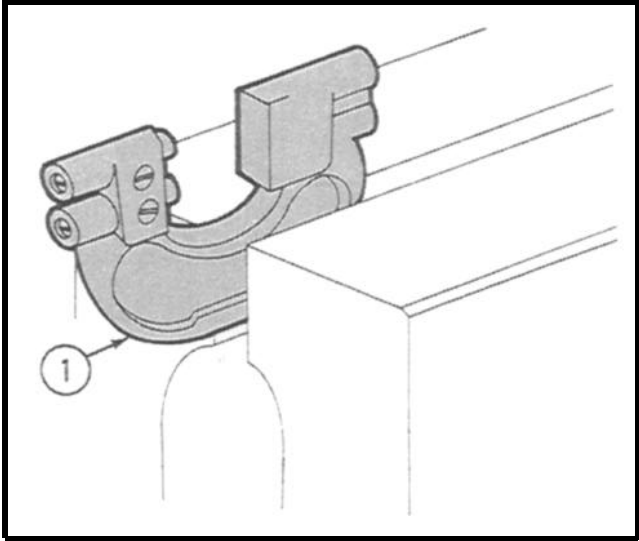
- 3 After checking the part in the GO gage, check it in the NO GO gage. The stud must not enter this gage to establish it as being between the desired limits.

NOTE

The GO ring gage controls the maximum dimension of a part and NO GO plug gages control the minimum dimension of a hole. Therefore, GO gages control the tightness of fit of mating parts and NO GO gages control the looseness of fit of mating parts.

USING AN ADJUSTABLE SNAP GAGE

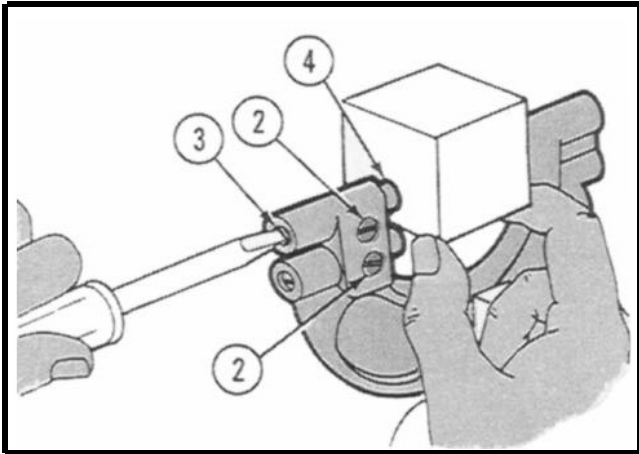
Before an adjustable snap gage can be used to check parts, the GO and NO GO buttons, pins, or anvils must be set to the proper dimensions.



1 The snap (1) gage must first be clamped in a holder.

NOTE

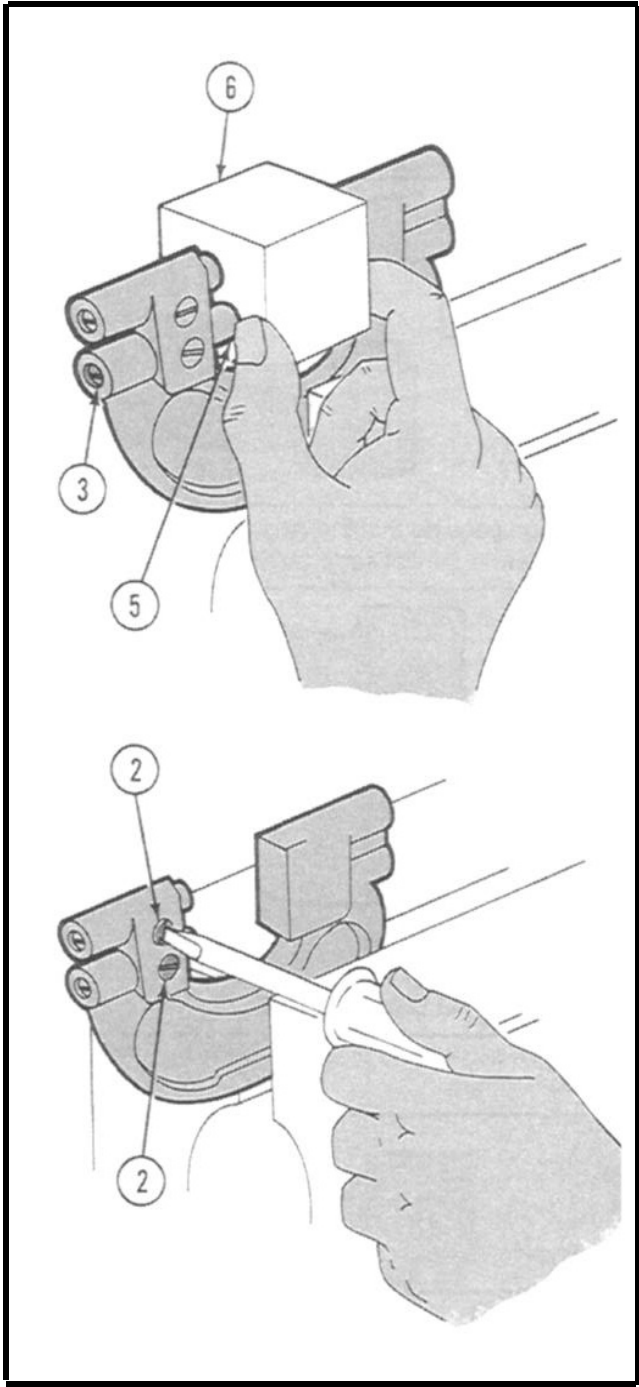
Adjust the "GO" dimension first as shown in the illustration, or if desired, reverse the procedure and adjust the "NO GO" dimension first.



2 Loosen the locking screw (2) and turn the adjusting screws (3) until the dimensions (4) is set.

NOTE

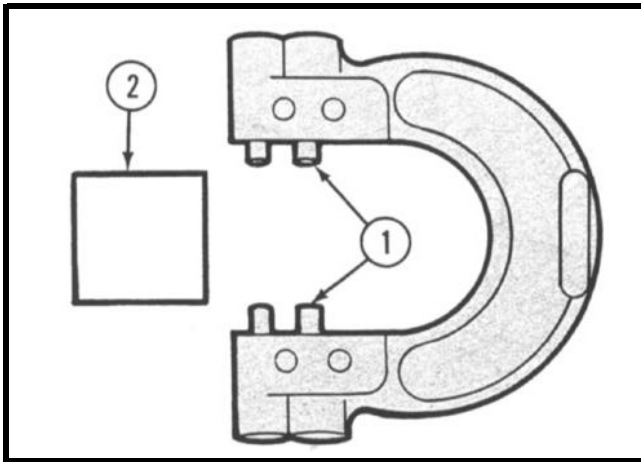
The desired dimension may be taken from a master disk, a precision gage block, or a master plug.



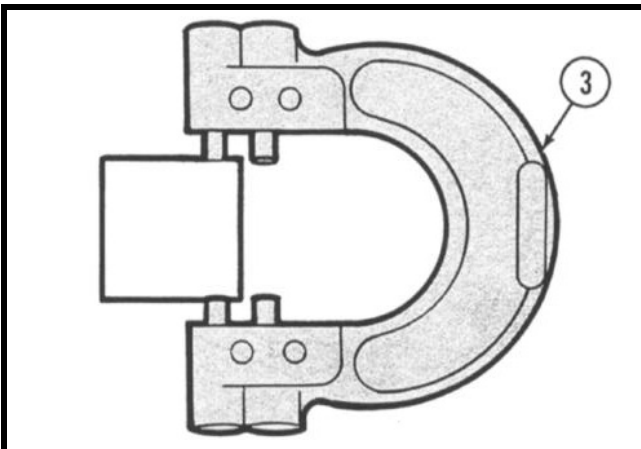
- 3 Turn the other adjusting screw (3) until the "NO GO" dimension (5) is set.
- 4 After adjusting for proper dimensions with the master precision piece (6) in place, tighten the locking screws (2).
- 5 Recheck to make sure the dimensions have not changed before using the gage.

USING AN ADJUSTABLE SNAP GAGE - Continued

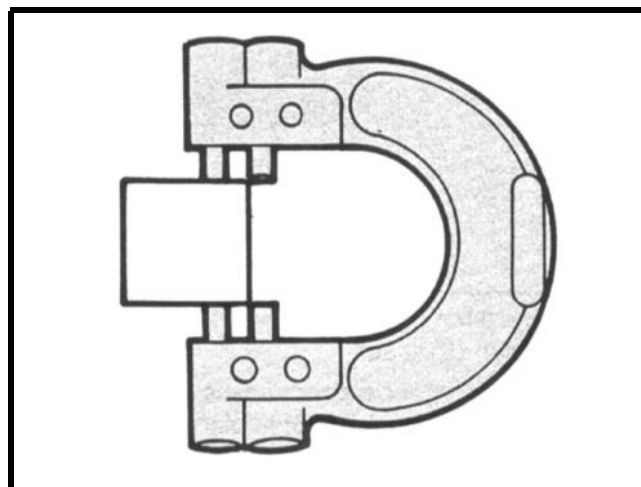
GAGING FLAT PARTS



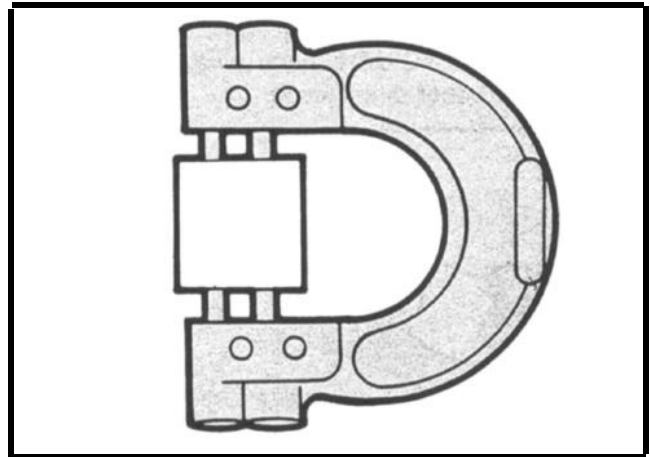
- 1 Position gage so that the pins or buttons (1) are square with the flat surfaces on the part (2).



- 2 Using a slight hand pressure, push the gage (3) over the part.

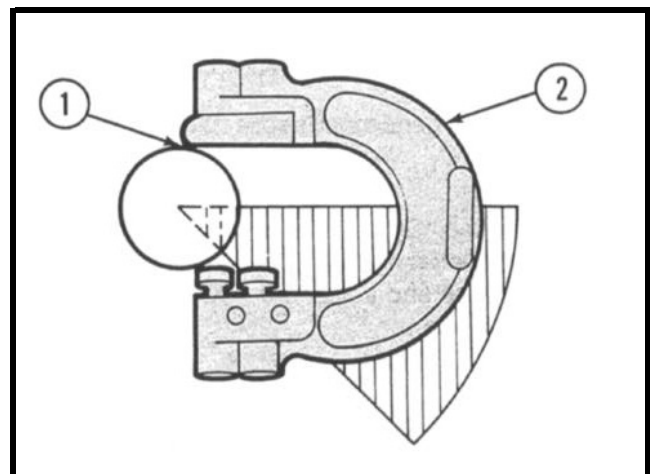


- 3 If the part is within limits, the NO GO pins will stop the part.

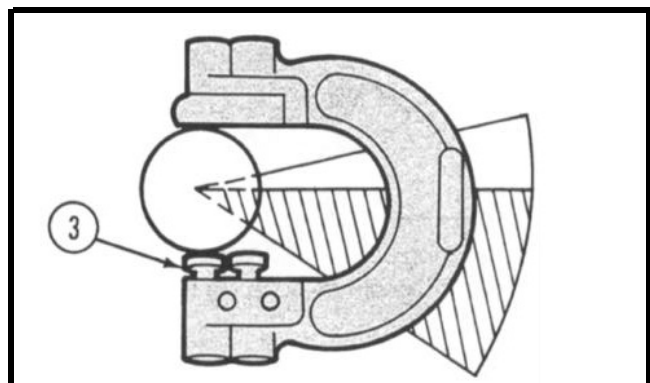


- 4 If the part is undersize, it will be possible to push it past the NO GO pins.

GAGING CYLINDRICAL PARTS

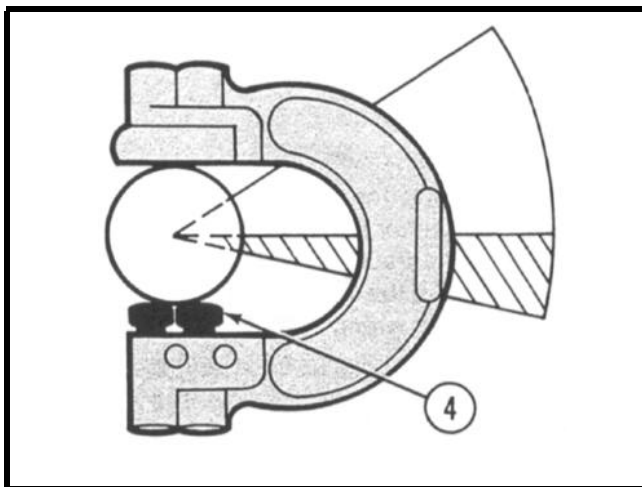


- 1 Locate the gage on the part with the solid anvil (1) on top. Rock the gage (2) as indicated by the shaded segment above, where the GO dimension is checked.

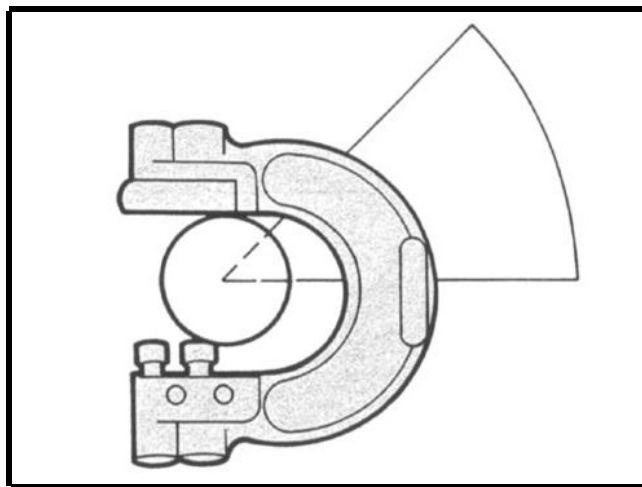


- 2 If the shaft is not oversized, the first button (3) will pass over it easily.

USING AN ADJUSTABLE SNAP GAGE - Continued



- 3 Move the gage to the position shown above. If the NO GO button (4) stops the gage, the shaft is within limits.



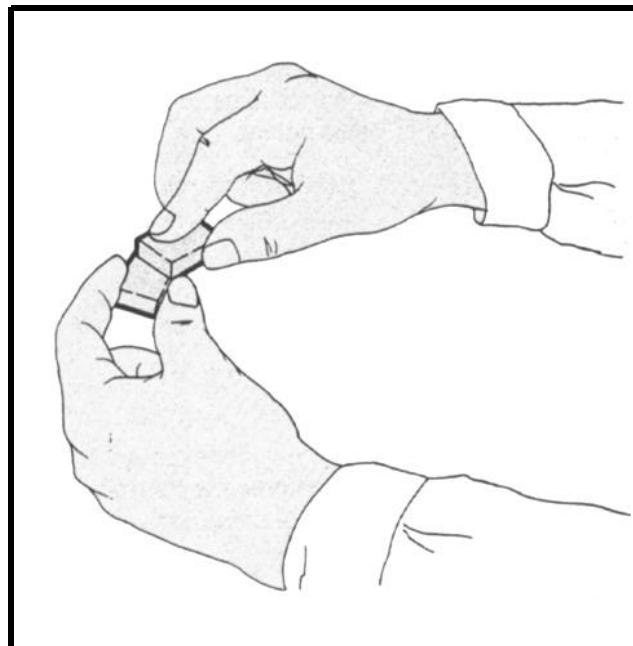
- 4 If the gage can be rocked further to the position, as shown, the part diameter is too small, since it has passed the NO GO button.

HOW TO USE PRECISION GAGE BLOCKS

Before using gage blocks, remove the coat of rust-preventive compound with a chamois or a piece of cleansing tissue or by cleaning with an approved solvent. Gage blocks and any measuring tool used with them must be free of grease, oil, dirt, and other foreign matter to avoid a lapping action whenever the block is moved, and to ensure accurate measurement. When using gage blocks, take particular care when measuring hardened work to avoid scratching the measuring surfaces.

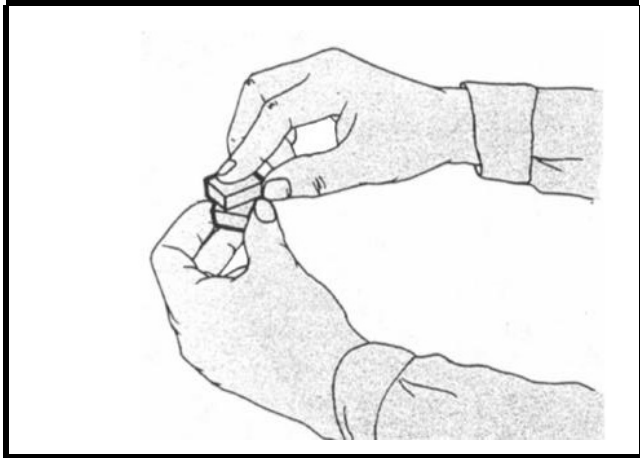
NOTE

When building gage blocks (wringing them together) to obtain a desired dimension, care should be exercised to avoid damaging them.



- 1 Bring the blocks together flat and move them slightly back and forth. This minimizes scratching, as it will detect any foreign particles between the surfaces.

USING PRECISION GAGE BLOCKS - Continued



- 4 Shift gage blocks so that their sides are in line. Any combination of gage blocks may be stacked together in this manner. The combination will be as solid as a single block.

NOTE

The adhesive force that binds two gage blocks together is a combination of molecular attraction and the suction cup action due to the film of oil or moisture on the surfaces wrung together.

Separate gage blocks by sliding them apart, using the same movement as when wringing them together.

- 2 Shift the blocks. If the blocks are clean, they will begin to take hold.
- 3 Slide the two blocks together, using a slight pressure and a rotary motion.

CAUTION

Do not leave blocks wrung together for long periods of time since surfaces in contact will tend to corrode.

FACTORS TO CONSIDER WHEN USING GAGE BLOCKS

Ordinary changes in temperature have a sizable effect on measurements made with precision gage blocks. The standard measuring temperature is 68°F, which is just a little lower than the average temperature in most shops. Since the room temperature affects the work as well as the block, the expansion in the work will be matched in most cases by a similar expansion in the block. The coefficient of linear expansion of several metals and blocks is listed below:

<i>Material</i>	<i>Millionths of an inch</i>
Steel	5.5 to 7.2 per degree F
Iron	5.5 to 6.7
Phosphor bronze	9.3
Aluminum	12.8
Copper	9.4
Gage blocks	6.36 to 7.0

Handle blocks only when they must be moved and hold them between the tips of your fingers so that the area of contact is small. Hold them for short periods of time only.

NOTE

Avoid conducting body heat into the block by careless handling. Body heat may raise the temperature of the block, causing a serious error in a measurement, particularly if a long stack of blocks is being handled.

When using gage blocks consider the source of error resulting from temperature. Metals other than iron and steel (such as aluminum) have a much different coefficient of linear expansion which will result in a difference between the room temperature measurement and the standard measuring temperature measurement. Careless handling of gage blocks may produce an error of several millionths of an inch and this error increases proportionally with the dimension of the block.

The temperature of the work may be either lower or higher than the room temperature as a result of a machining operation and this difference may be sufficient to cause a sizable error.

Theoretically, the measuring pressure should increase proportionally with the area of contact. For practical purposes, it is better to use a standard measuring pressure. The most commonly used pressure is 1/2 to 2 pounds.

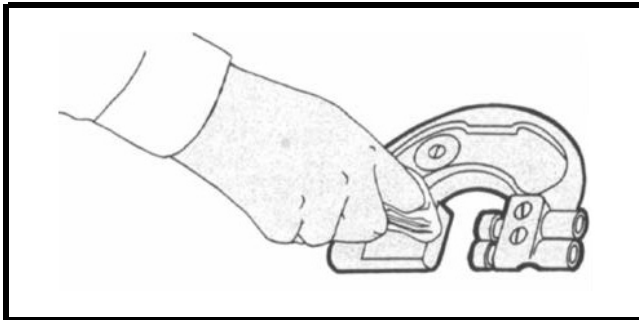
Gage blocks are used in the layout and in checking the accuracy of tools, dies, and fixtures. They are also used in machine setups and in checking parts in process of manufacture and finished parts.

Gage blocks are commonly used in setting adjustable instruments and indicating gages and verifying inspection gages. Gage blocks are used to verify the accuracy and wear of ring and snap gages and many other special-purpose gages. The classification of blocks depends largely on the accuracy required. Typical classification is shown on the following page.

FACTORS TO CONSIDER WHEN USING GAGE BLOCKS - Continued

Class	Work	Error range millionths of an inch	Class	Work	Error range millionths of an inch
I	Verifying gages, setting instruments, and tool inspection.	5 to 20	III	Setup of grinding, milling and drill machines, and parts inspection.	40 to 100
II	Layout of jigs, fixtures and dies, setting instruments, and tool inspection.	20 to 40			

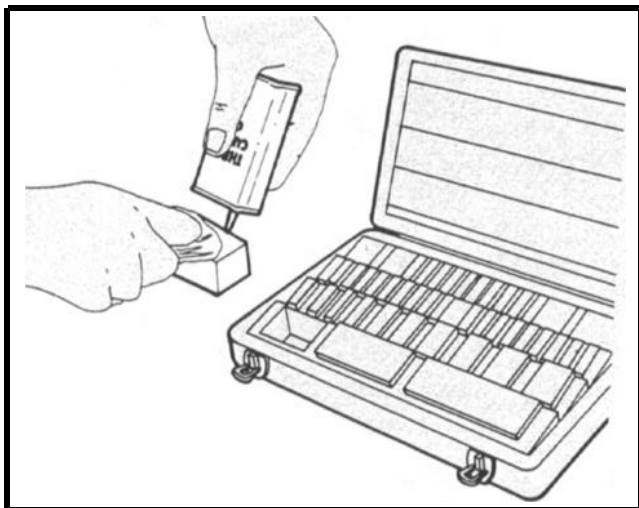
CARE OF RING AND SNAPGAGES



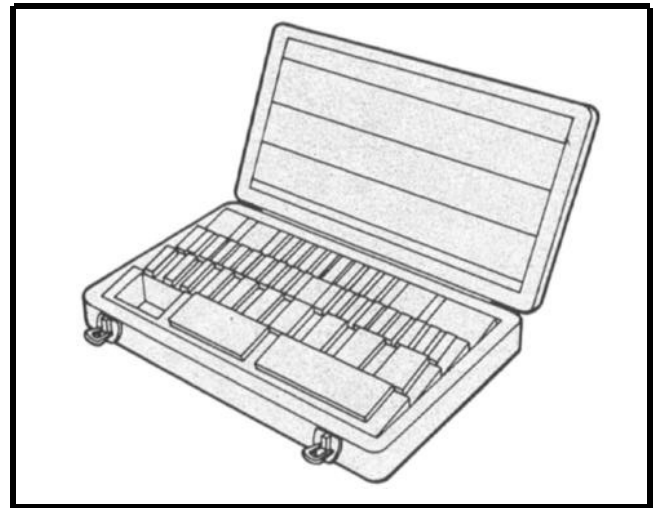
- 1 Always make certain that the surfaces of the parts gaged and the gage itself are kept free from abrasives, dirt, grit, chips, and all foreign matter.

- 2 Always consider the abrasive action of the part on the gage. Cast iron, steel, and cast aluminum are more abrasive than brass, bronze, and nonmetals such as plastics. Use particular care when gaging cast iron, steel, and cast aluminum.
- 3 When gages are stored, arrange them neatly in a drawer or case so that they do not contact other tools or each other.
- 4 Always hold the gages in your hands when checking. Never clamp them in a vise.
- 5 At frequent intervals, check all gages for accuracy and wear with gage blocks or master gages.

CARE OF GAGE BLOCKS



1. Observe particular care when using gage blocks to measure hardened work. The danger of scratching is increased when the work is as hard as the block, or harder.
2. Never touch the measuring surfaces of blocks any more than necessary. The moisture from your hands contains an acid which, if not removed, will eventually stain the blocks.



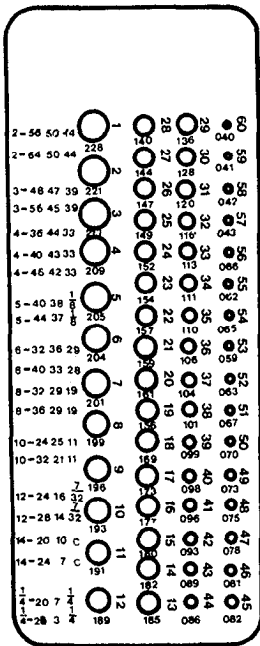
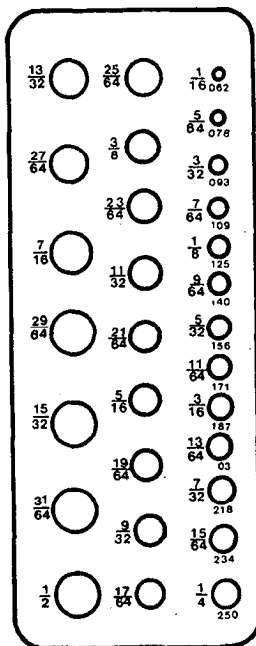
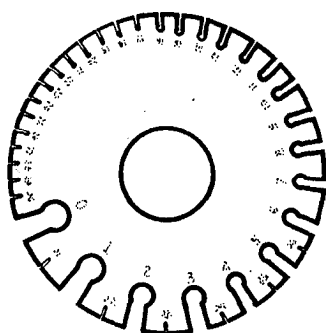
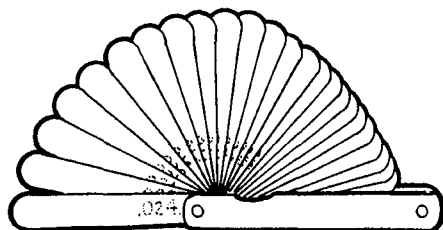
3. Before using blocks, ensure there is no grease, oil, dirt, or any foreign substances on block.
4. Every time a set of blocks is used, all the blocks which have been cleaned for use must be covered with a film of acid-free oil, such as boiled petrolatum, before they are put away. Wipe them with an oiled chamois as you return the blocks to their places in the case.

Chapter 16 MISCELLANEOUS MEASURING GAGES

HOW TO CHOOSE AND USE THEM

The "Types and Uses" section provides you with a list of miscellaneous measuring gages. These pages should help you select the right gage for the job.

The "Using" section tells you how to use the miscellaneous measuring gages to perform the measuring operation. The "Care" procedures tell you how to care for the gages.

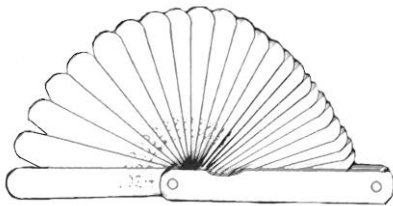
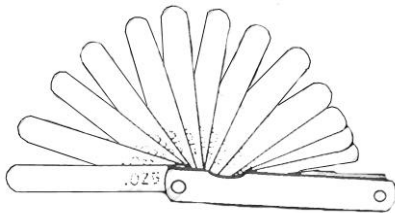
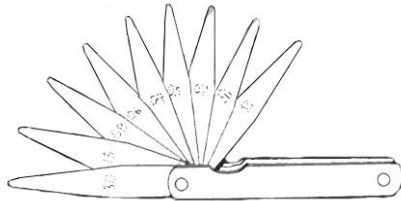
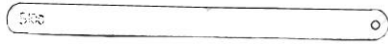


INDEX

<i>Item</i>	<i>Page</i>
TYPES AND USES	16-2
Thickness (feeler) gages	16-2
Center gage	16-2
Screw pitch gages	16-3
Small hole gage set	16-3
Telescoping gages	16-3
Thread cutting tool gages	16-4
Fillet and radius gages	16-4
Drill point gage	16-4
Wire gages	16-4
Drill gages	16-5
Marking gages	16-5
USING	16-5
Thickness gage	16-5
Center gage	16-6
Screw pitch gage	16-6
Small hole gage	16-6
Telescoping gage	16-7
Thread cutting tool gage	16-7
Fillet and radius gage	16-7
Drill point gage	16-8
Wire gage	16-8
Drill gage	16-8
Marking gage	16-9
CARE	16-9

TYPES AND USES

THICKNESS (FEELER) GAGES



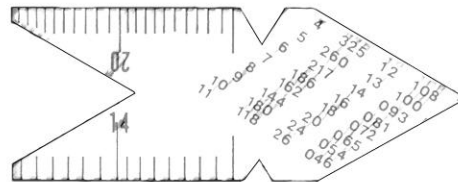
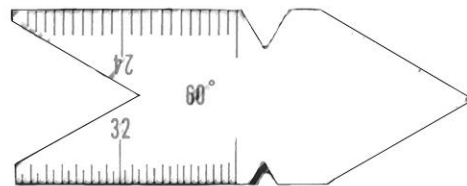
Thickness (feeler) gages are made in many shapes and sizes; usually 2 to 26 blades are grouped into one tool and graduated in thousandths of an inch.

Most thickness blades are straight, while others are bent at the end at 45 degree and 90 degree angles. Some thickness gages are grouped so that there are several short and several long blades together. Thickness

gages are also available in single blades and in strip form for specific measurements. For convenience, many groups of thickness gages are equipped with a locking screw in the case that locks the blade to be used in the extended position.

These gages are fixed in leaf form, which permits the checking and measuring of small openings such as contact points, narrow slots, and so forth. They are widely used to check the flatness of parts in straightening and grinding operations and in squaring objects with a try square.

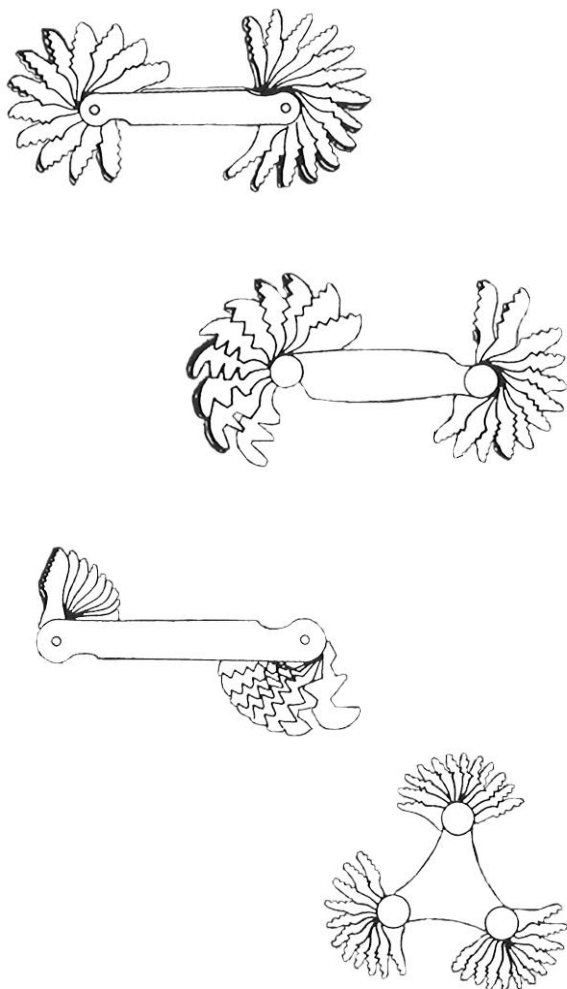
CENTER GAGE



The center gage is graduated in 14ths, 20ths, 24ths, and 32nds of an inch. The back of the center gage has a table giving the double depth of thread in thousandths of an inch for each pitch. This information is useful in determining the size of tap drills. Sixty-degree angles in the shape of the gage are used for checking Unified and American threads as well as for older American National or U.S. Standard threads and for checking thread cutting tools.

TYPES AND USES - Continued

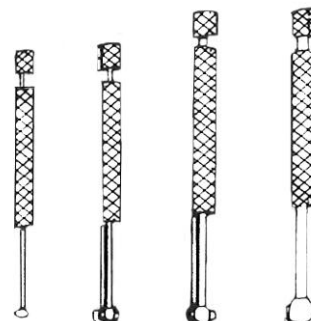
SCREW PITCH GAGES



Screw pitch gages are made for checking the pitch of U.S. Standard, Metric, National Form, V-form, and Whitworth cut threads. These gages are grouped in a case or handle, as are the thickness gages. The number of threads per inch is stamped on each blade. Some types are equipped with blade locks. The triangular-shaped gage has 51 blades covering a wide range of pitches, including 11-1/2 and 27 threads-per-inch for V-form threads.

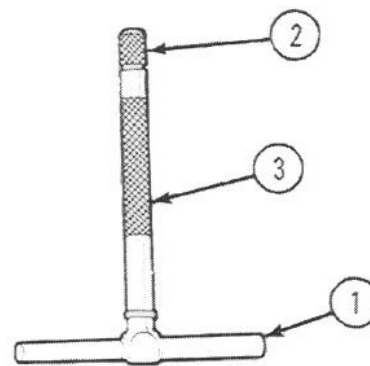
Screw pitch gages are used to determine the pitch of an unknown thread. The pitch of a screw thread is the distance between the center of one tooth to the center of the next tooth.

SMALL HOLE GAGE SET



Small hole gages are adjustable, having a rounded measuring member. A knurled screw in the end of the handle is turned to expand the ball-shaped end in small holes and recesses. A micrometer caliper is used to measure the ball end. Maximum measuring capacity is 1/2 inch. This set of 4 or more gages is used to check dimensions of small holes, slots, grooves, and so forth from approximately 1/8 to 1/2 inch in diameter.

TELESCOPING GAGES

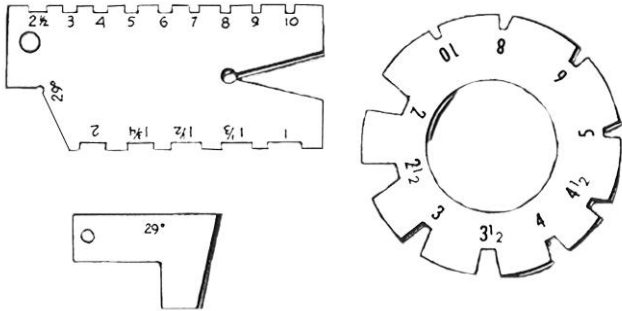


Telescoping gages are used to gage larger holes and to measure inside distances. These gages are equipped with a plunger (1) that can be locked in the measuring position by a knurled screw (2) in the end of the handle (3). Maximum measuring capacity is 6 inches. Measurements must be calipered on the gage by a micrometer, as in the case of the small hole gages.

They are also used when measurements cannot be taken with a standard micrometer. Telescoping gages are particularly adaptable for roughly bored work and odd sizes and shapes of holes. Compress the plungers and lock them by turning handle screw.

TYPES AND USES - Continued

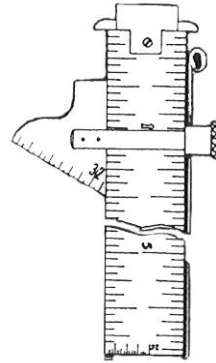
THREAD CUTTING TOOL GAGES



Thread cutting tool gages are hardened steel plates with cutouts around the perimeter. Each cutout is marked with a number that represents the number of threads per inch.

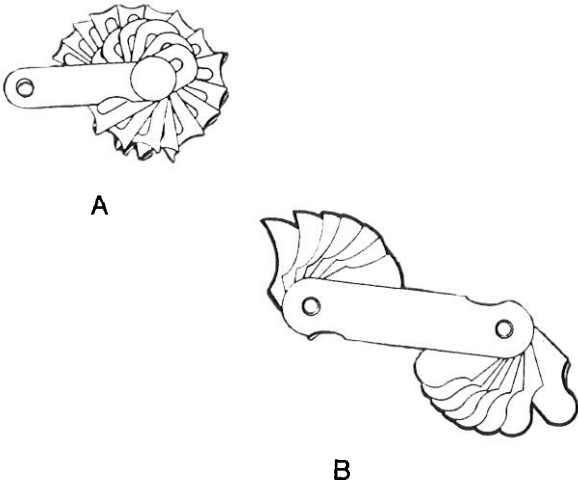
These gages provide a standard for thread cutting tools. They have an enclosed angle of 29 degrees and include a 29 degree setting tool. One gage furnishes the correct form for square threads and the other for Acme standard threads.

DRILL POINT GAGE



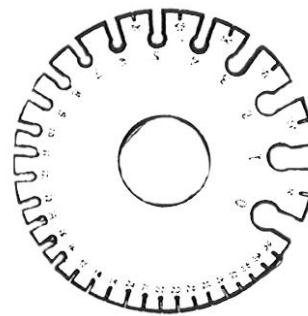
The drill point gage consists of a 6-inch hook rule with a 59 degree sliding head that slides up and down the rule. The sliding head can be locked at any position on the rule and is graduated in 1/32 inch. This gage is used to check the accuracy of drill cutting edges after grinding. It is also equipped with a 6-inch hook rule. This tool can be used as a drill point gage, hook rule, plain rule, and a slide caliper for taking outside measurements.

FILLET AND RADIUS GAGES



The blades of fillet and radius gages are made of hard-rolled steel. The double-ended blades of the gage have a lock which holds the blades in position. The inside and outside radii are on one blade on gage (A). The other gage (B) has separate blades for inside and outside measurements. Each blade of each gage is marked in 64ths. Each gage has 16 blades.

WIRE GAGES

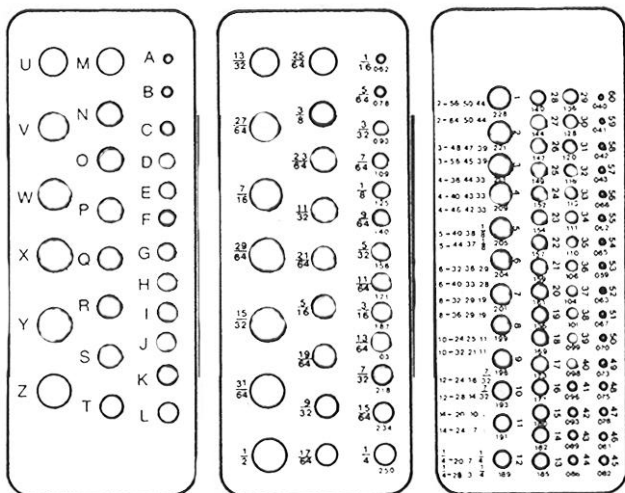


A wire gage is circular in shape with cutouts in the outside edge. Each cutout gages a different size wire, from 0 to 36 of the English Standard Wire Gage. A separate gage is used for American standard wire and another for U.S. Standard sheet and plate iron, and steel.

Similar gages are also used to check the size of hot and cold rolled steel, sheet and plate iron, and music wire.

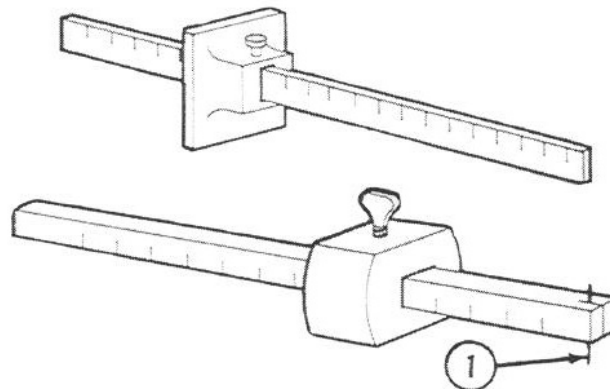
TYPES AND USES - Continued

DRILL GAGES



The twist drill and drill rod gage has a series of holes with size and decimal equivalents stamped adjacent to each hole. One gage measures drill sizes Nos. 1 to 60; the other gage measures drill sizes 1/16 to 1/2 inch in 1/64 inch intervals. Drill gages determine the size of a drill and indicate the correct size of drill to use for given tap size. Drill number and decimal size are also shown in this type gage. Letter size drill gages are also available. Each drill hole is identified by a letter instead of a number, decimal, or fraction.

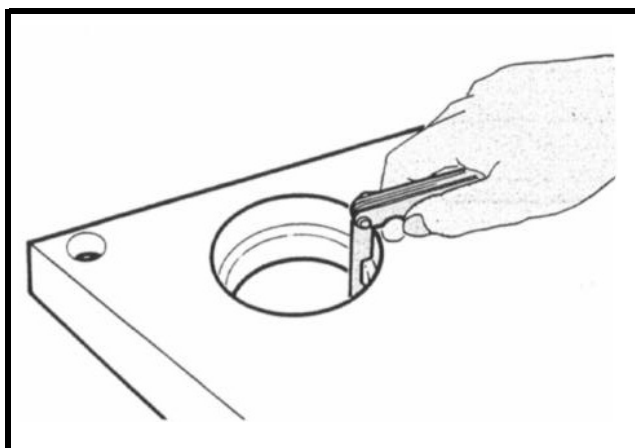
MARKING GAGES



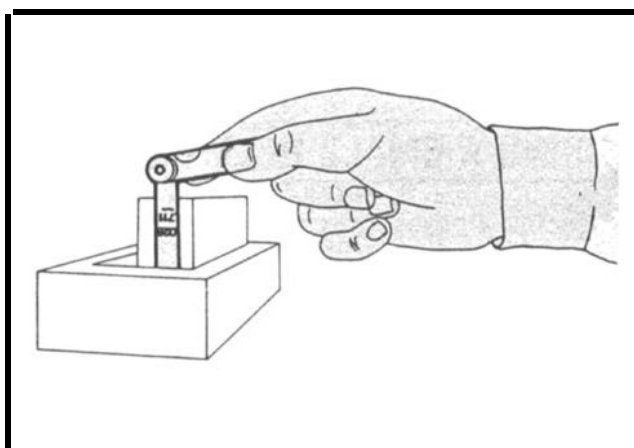
Marking gages are made of wood or steel. They consist of a graduated beam about 8 inches long on which a head slides. The head can be fastened at any point on the beam with a thumbscrew. The thumbscrew presses a brass shoe tightly against the beam and locks it firmly in position. A steel pin or spur (1) marks the wood and projects from the beam about 1/16 inch.

A marking gage is used to mark off guidelines parallel to an edge, end, or surface of a piece of wood. It has a sharp spur or pin which does the marking. A marking gage must be adjusted by setting the head the desired distance from the spur.

USING A THICKNESS GAGE



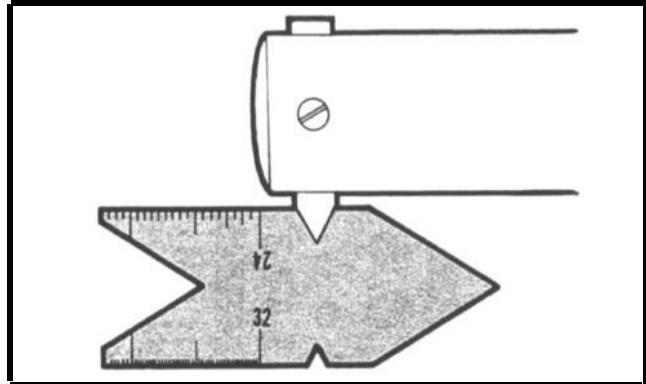
Thickness (feeler) gages are used in one of two ways: as a means for determining a measure or a means for adjusting to a definite limit. A thickness gage is used to check piston ring gap clearance in a cylinder bore.



A long blade thickness gage is used to determine the fit between large mating surfaces. By combining blades it is possible to obtain a wide variation of thickness.

USING A CENTER GAGE

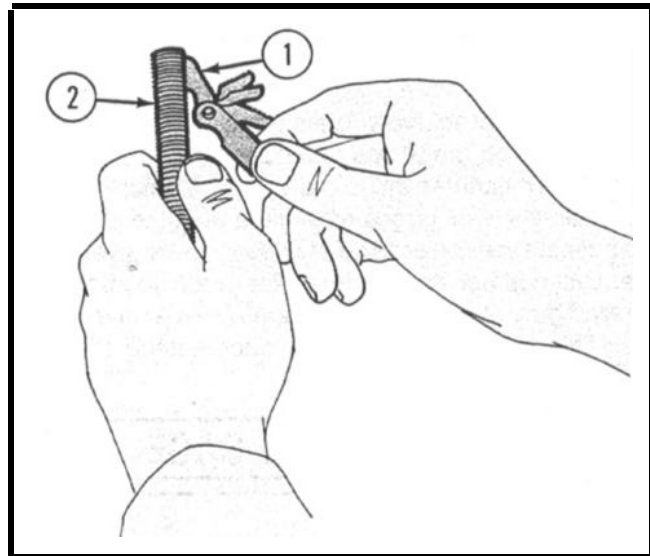
The center gage is used to set thread cutting tools. Four scales on the gage are used for determining the number of threads per inch. The gage is also used to check cut threads and the scales are used to measure threads per inch.



USING A SCREW PITCH GAGE

If the pitch of a thread is not known, it can be determined by comparing it with the standards on the various screw pitch gages.

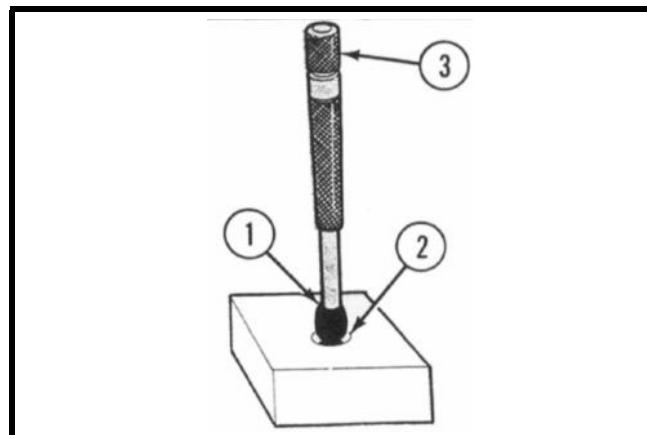
1. Place a blade of a gage (1) over the threads (2) and check to see whether it meshes; if not, successively check each blade of the gage against the thread until it meshes.
2. The pitch can be read off the correct blade. The blades are made pointed so that they can be inserted in small nuts to check inside threads as well as outside threads.



USING A SMALL HOLE GAGE

The small hole gages perform the same function as telescoping gages, except that they are used in smaller work.

1. Fit the ball-shaped point (1) into the hole or slot (2).
2. Expand the ball-shaped end by turning the screw (3) at the end of the handle.
3. Use micrometer to gage the measurement.



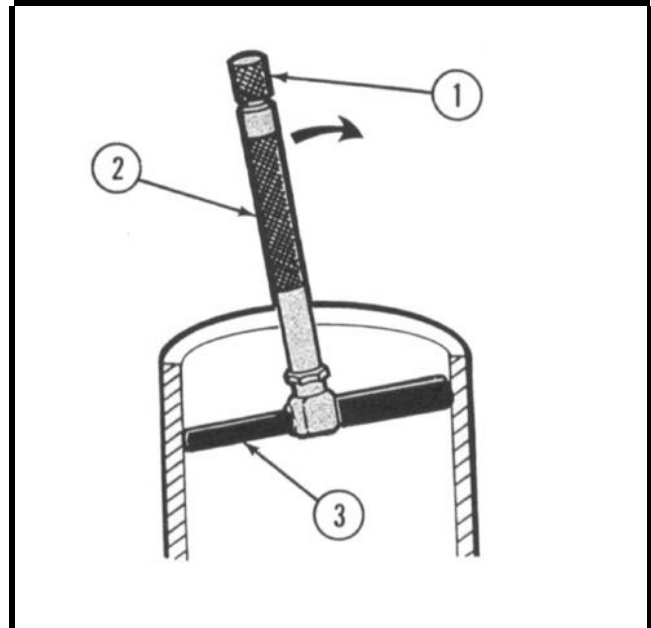
USING A TELESCOPING GAGE

1. Loosen the knurled nut (1) at the end of the handle (2).
2. Slightly tilt telescoping gage (3) 5 to 10 degrees and lower into object to be measured.
3. Tighten knurled nut (1).
4. Remove gage by pulling across center line as indicated by arrow.

NOTE

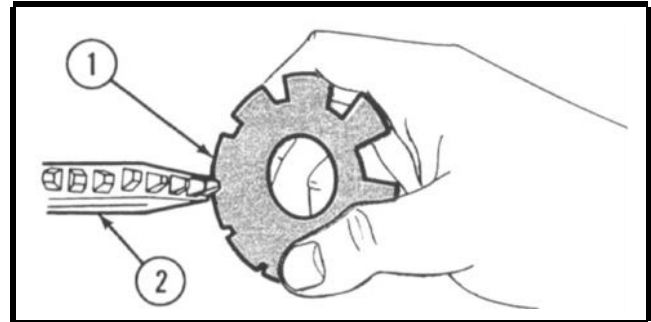
Take measurement only once. Repeated attempts will produce an inaccurate reading.

5. Measure gage setting with an outside micrometer. (To use an outside micrometer, refer to chapter 7 in this manual.)

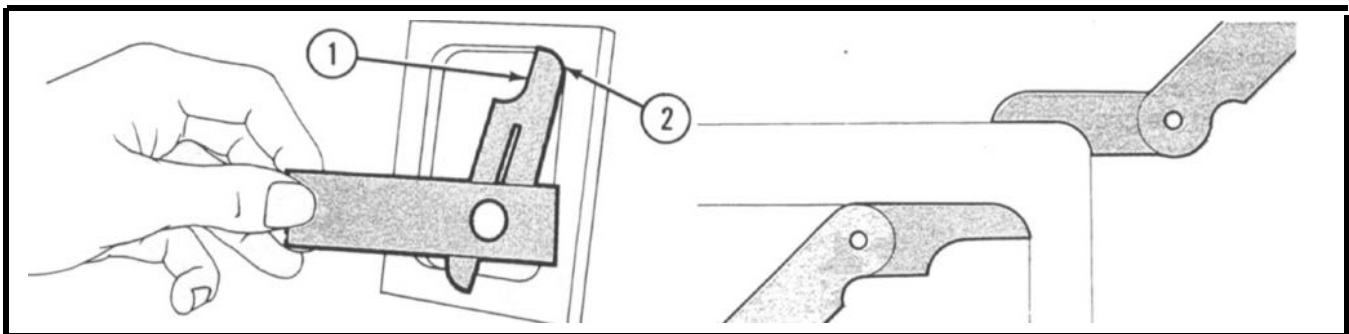


USING A THREAD CUTTING TOOL GAGE

1. Place the proper gage (1) over the tool (2). The tool must mesh properly with no light showing between the tool and the gage.
2. Use a 29 degree angle as a guide when grinding cutting tool.
3. After tool fits the angle, the point should be ground off to fit the proper place on the gage for the particular number of threads per inch to be cut.



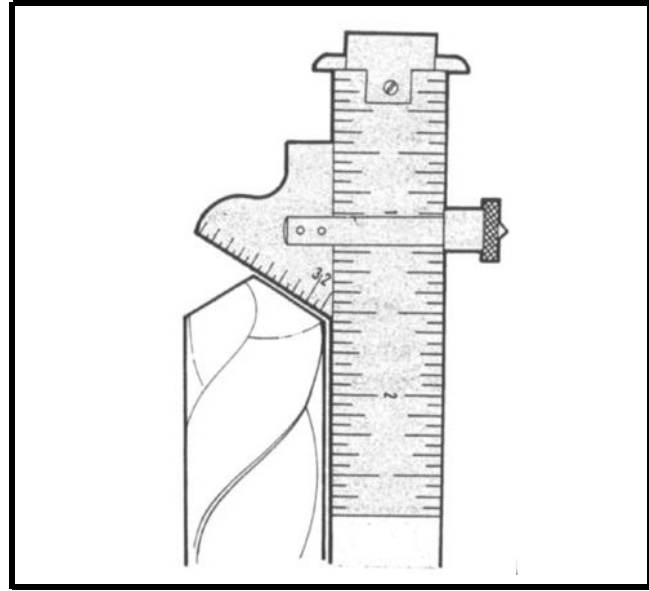
USING A FILLET AND RADIUS GAGE



1. A double-ended radius gage blade (1) is used to check the inside corner or fillet (2) of a machined part. Each blade can be locked in position by tightening the clamp.
2. These gages can be used in any position and at any angle for both inside and outside radii.

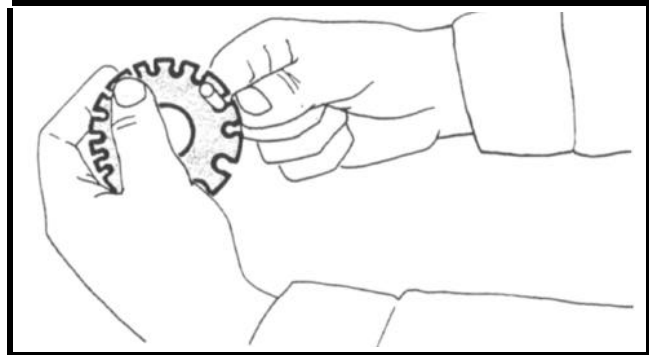
USING A DRILL POINT GAGE

The method for sharpening the cutting edges of a drill is to do one lip at a time. Each lip must have the same length and have the same angle in relation to the axis of the drill. Set the sliding head securely on the rule at the mark equal to the length of the drill. Place the drill vertically against the rule so that the drill lip contacts the 59 degree angle of the sliding head. Hold up to light; correct angle is obtained when no light is seen between gage and drill.



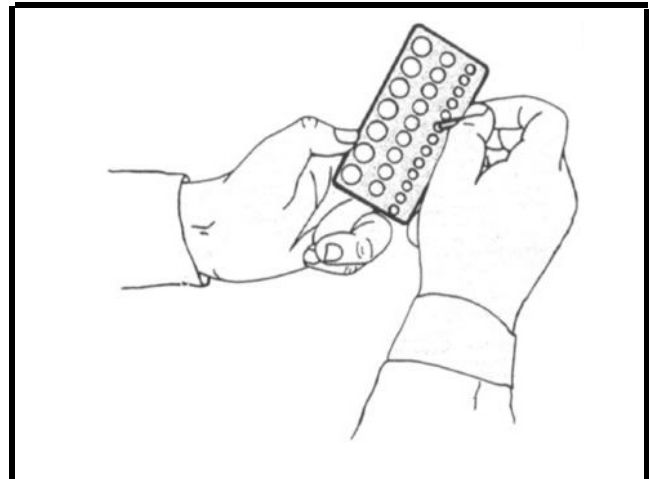
USING A WIRE GAGE

Determine the size of both sheet stock and wire by using a correct sheet and plate or wire gage.



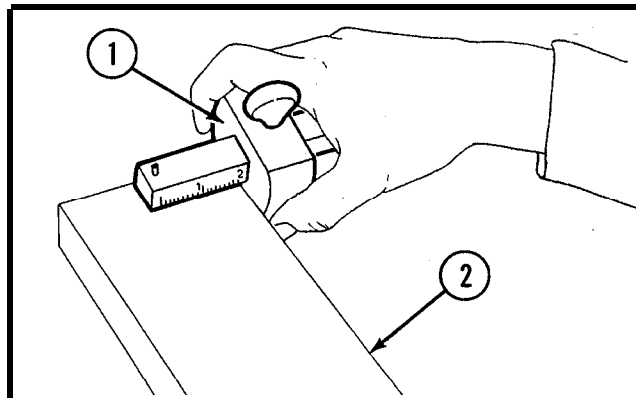
USING A DRILL GAGE

The drill gage is used to determine the size of a drill. The drill size, number and decimal size or letter size are stamped on the gage beside each hole. A chart on the gage indicates the correct size of drill to use for a given tap size.



USING MARKING GAGES

Press the head (1) firmly against the edge of the work (2) to be marked. With a wrist motion, tip the gage forward until the spur touches the work. Push the gage along the edge to mark the work, keeping the head firmly against the work.



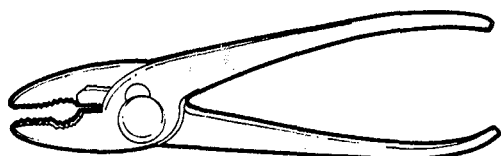
CARE OF GAGES

1. Exercise care when using thickness gages to measure clearance of knives and cutters on machines. Do not lower knife on thickness blade and then try to remove the gage. The blade may be shaved off if it is too tight. Never use gages for cleaning slots or holes. When blades are damaged or worn they should be replaced. Blades, in a case are removed by loosening the clamp and sliding out the damaged blade. Insert new blade and tighten clamp.
2. Always coat metal parts of all gages with a light film of oil when not in use to prevent rust. Store gages in separate containers. Do not pile gages on each other. Always return blades of leaf-type gages to case after use. Keep graduations and markings on all gages clean and legible. Do not drop any gage. Small scratches or nicks will result in inaccurate measurements.

Chapter 17 PLIERS AND TONGS

HOW TO CHOOSE AND USE THEM

The "Types and Uses" section provides you with a list of some types of pliers and tongs. These pages should help you select the right pair to do the job.



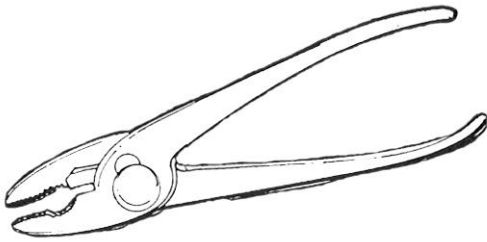
The "Using" section tells you how to use the pliers or tongs to perform the desired function. The "Care" procedures tell you how to care for the items.

INDEX

<i>Item</i>	<i>Page</i>
TYPES AND USES	17-2
Slip-joint pliers	17-2
Diagonal cutting pliers	17-2
Lineman's side cutting pliers	17-2
Parallel jaw pliers	17-2
Flat-nose pliers	17-2
Round-nose pliers	17-2
Straight-lip flat-jaw tongs	17-3
End cutting pliers	17-3
Wire strippers	17-3
USING	17-3
CARE	17-5

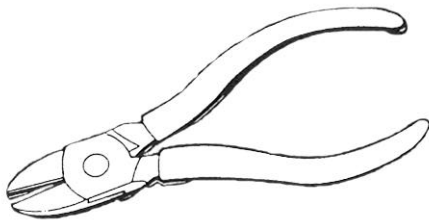
TYPES AND USES

SLIP-JOINT PLIERS



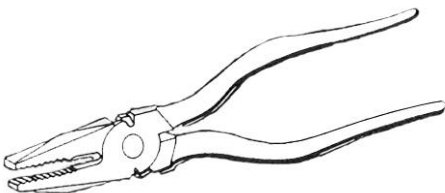
The slip-joint combination pliers have serrated (grooved) jaws, with a rod-gripping section, a cutting edge, and a pivot. The serrated jaws and rod-gripping section are used to hold objects. The cutting edge permits the cutting of soft wire and nails. However, cutting hard materials or large gage wire will spring the jaws, making the pliers useless. The pivot is used to adjust the jaw opening to handle large or small objects.

DIAGONAL CUTTING PLIERS



The diagonal cutting pliers have a fixed pivot. The jaws are offset by about 15 degrees and are shaped to give enough knuckle clearance while making flush cuts. The diagonal cutting pliers are used for cutting small, light materials such as wire, cotter pins, and similar materials. These pliers are not to be used to hold or grip objects.

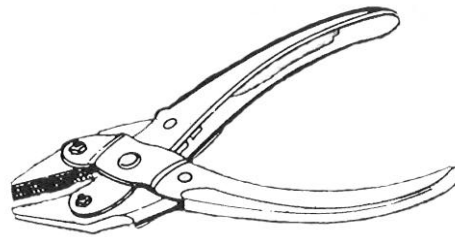
LINEMAN'S SIDE CUTTING PLIERS



The lineman's side cutting pliers have serrated jaws, a rod-gripping section, side cutters, wire cropper, a fixed pivot, and parallel handles. The flat serrated jaws are used to bend sheet metal and twist electrical wire. The rod-gripping section is used to hold rods and bend small rods. The side cutters are located just above the pivot

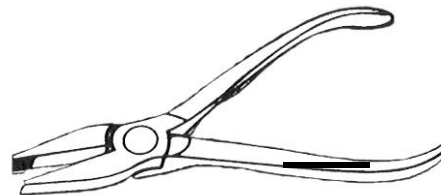
point, where maximum pressure may be applied. They are ground at an angle permitting sharp flush cuts on electrical wire. A pair of croppers is located above the pivot. They are used to shear larger wire. Lineman's pliers used around electrical circuits have insulated sleeves over the handles to reduce the possibility of electrical shock.

PARALLEL JAW PLIERS



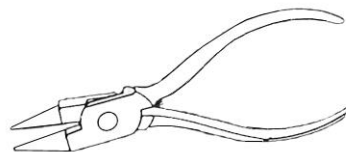
The parallel jaw pliers are constructed so that the jaws remain parallel to each other throughout the entire distance of travel. It has two jaws, a pivot pin, curved handles, and tension springs. The tension springs are contained within the curved handles and will open the jaws when the handles are released. These pliers are used to grip objects which have flat surfaces.

FLAT-NOSE PLIERS



The flat-nose pliers have flat serrated jaws, a fixed pivot, and curved handles which may have insulated sleeves. These pliers are used to bend light sheet metal and wire.

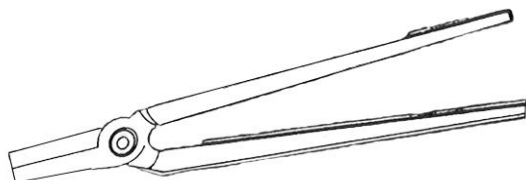
ROUND-NOSE PLIERS



The round-nose pliers are used to make loops in soft wire. It has smooth, round jaws, a fixed pivot, and curved handles, which may have insulated sleeves.

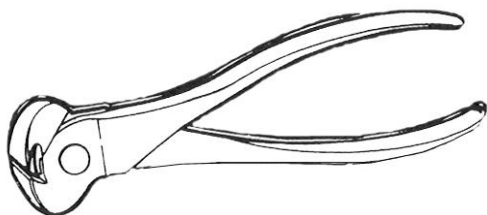
TYPES AND USES - Continued

STRAIGHT-LIP FLAT-JAW TONGS



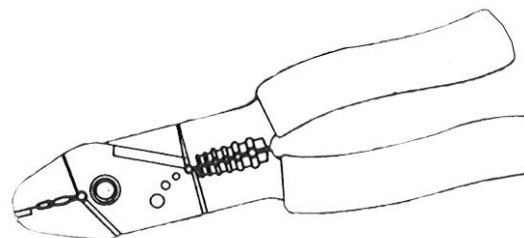
The straight-lip flat-jaw tongs have two straight jaws, a fixed pivot point, and long, straight handles. These tongs are used to hold bearings and bearing inserts while setting them in place.

END CUTTING PLIERS



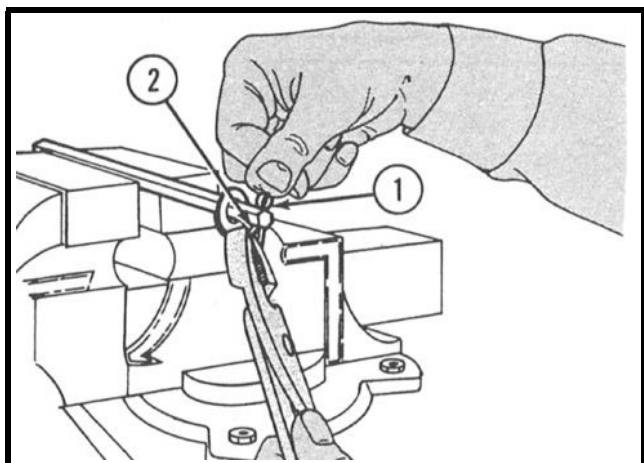
The end cutting pliers are used to crop wire flush to the working surface. They are designed to keep hands and fingers safely away from the wire ends.

WIRE STRIPPERS (MULTIPURPOSE)



Wire strippers are used to strip insulation from electrical cord. When closed around wire, only the insulation is cut. The wire core remains undamaged.

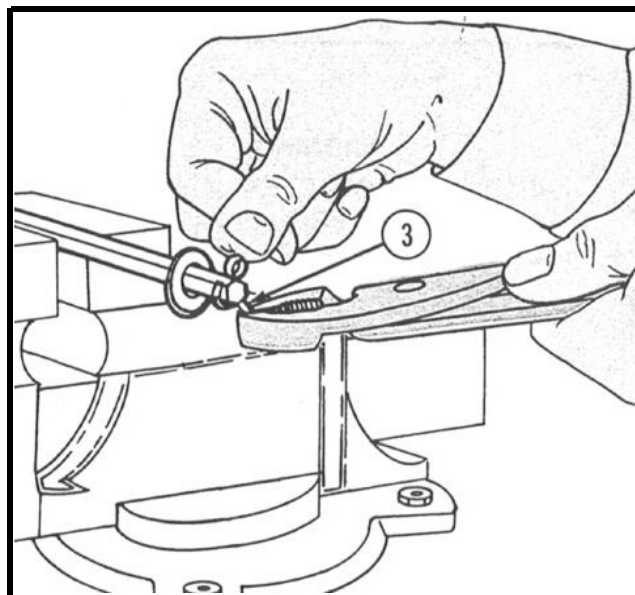
USING SLIP-JOINT PLIERS



NOTE

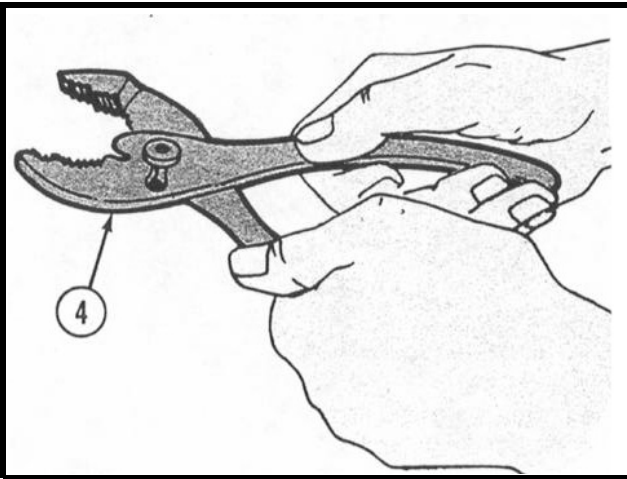
The following procedure for bending the ends of a coter pin after installation is not the only use of slip-joint pliers.

- 1 With coter pin installed, push rounded head of pin (1) with thumb of one hand. Grasp the long section of extending coter pin (2) with pliers, and bend it back flat against the metal surface or nut.



- 2 Grasp the other section of the extending coter pin (3) and bend it back flat against the metal surface or nut.

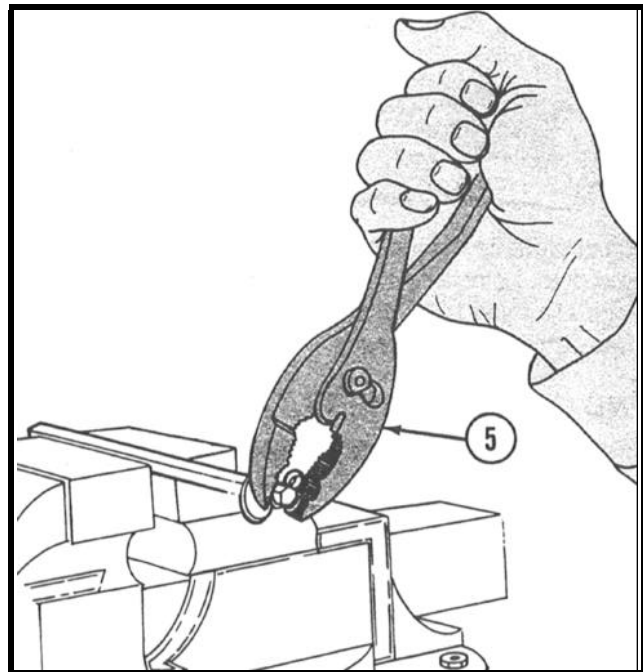
USING SLIP-JOINT PLIERS - Continued



- 3 Adjust pliers (4) to obtain a wide jaw opening.

CAUTION

Too much pressure could break the cotter pin or spring the plier jaws.



- 4 Place plier jaws (5) around both bent ends of the cotter pin and apply pressure on the handles, bending cotter pin ends flush.

USING DIAGONAL CUTTING PLIERS

WARNING

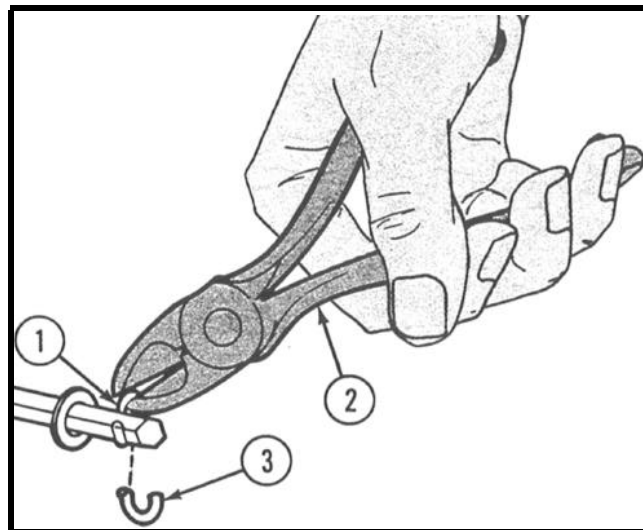
WEAR EYE PROTECTION. KEEP FINGERS AWAY FROM JAWS AND CUTTING EDGES.

CAUTION

Diagonal cutting pliers are to be used only for cutting.

NOTE

The following procedure for the removal of a cotter pin is not the only use of diagonal cutting pliers.

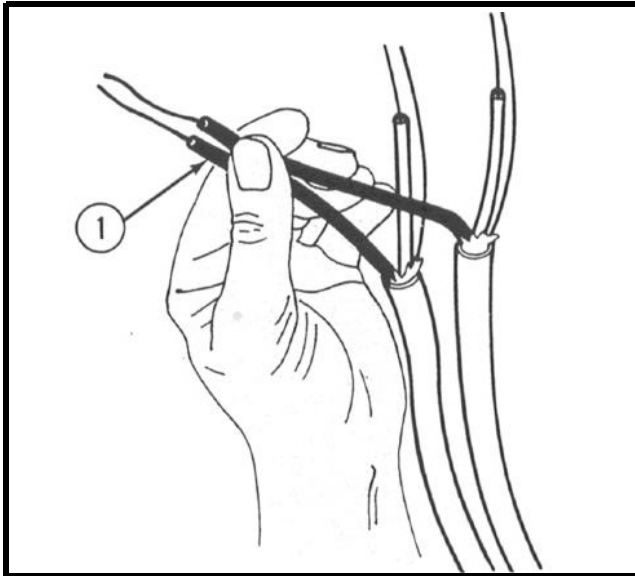


- 1 Position cutters so the rounded end (1) of the cotter pin is between the cutting jaws.
- 2 Close the cutting jaws by applying pressure to the handles (2). This will shear off the end of the cotter pin (3).

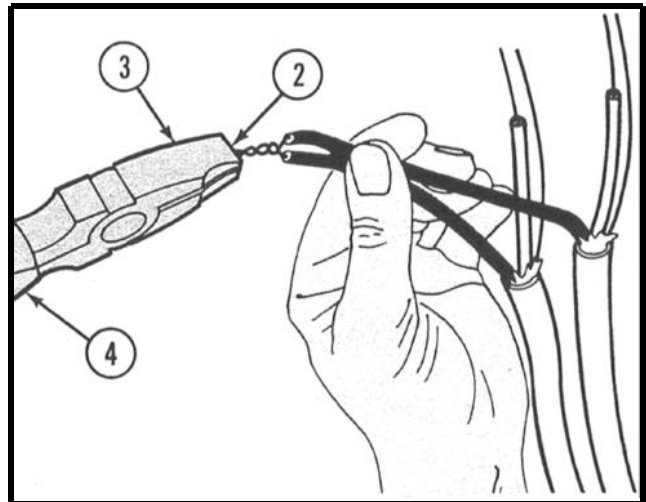
USING LINEMAN'S SIDE CUTTING PLIERS

NOTE

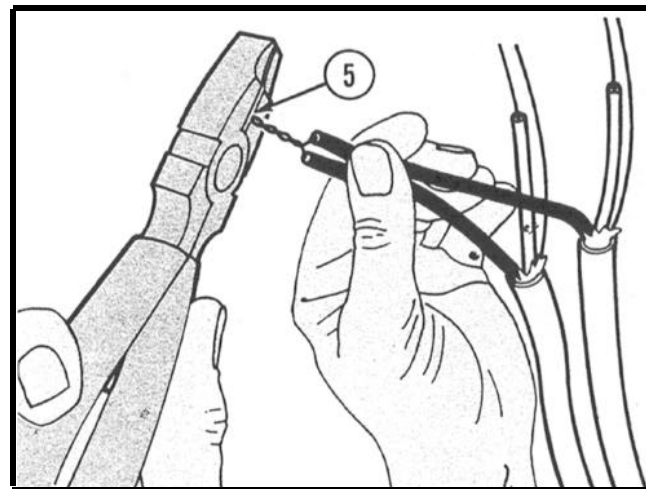
The following procedure for twisting wires is not the only use of lineman's side cutting pliers.



- 1 Using one hand, hold wires to be twisted (1) just above the point where the twist is to begin.



- 2 Grasp the ends of the wires (2) firmly on the serrated jaws (3) and twist the pliers (4).
- 3 Continue twisting pliers until wire has been twisted to desired length.



- 4 Open plier jaws and place the ends of the twisted wires between the cutting edges (5). Trim the ends of the wire.

CARE OF PLIERS AND TONGS

Remove dirt and grease with a clean rag and apply a light coat of oil after each use.

Store pliers in a tool box or hang on racks when not in use.

Do not remove insulation on handles or oil handles which are insulated.

Do not use pliers for prying or for removing nuts or bolts.

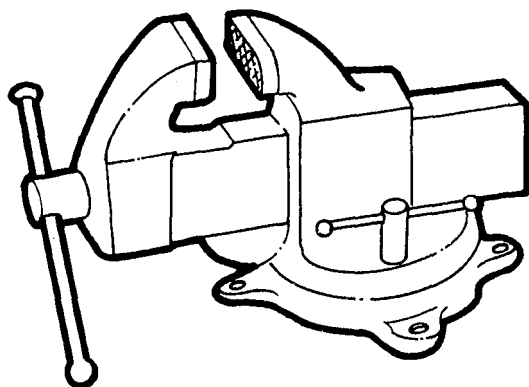
Replace all pliers which have broken jaws, handles, or cutting edges.

Chapter 18 VISES

HOW TO CHOOSE AND USE THEM

The "Types and Uses" section provides you with a list of some of the types of vises. These pages should help you select the right vise to do the job.

The "Using" section tells you how to use the vise to perform the desired function. The "Care" procedures tell you how to care for the items.

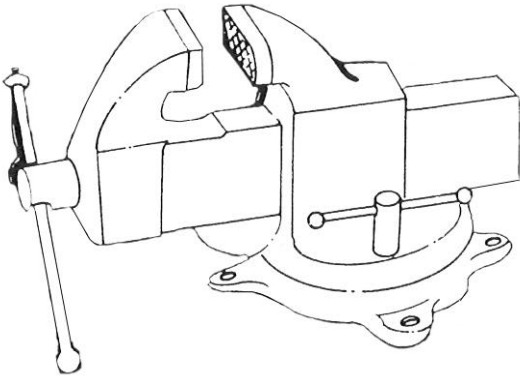


INDEX

<i>Item</i>	<i>Page</i>
TYPES AND USES	18-2
Machinist's bench vise	18-2
Bench and pipe vise	18-2
Clamp base bench vise	18-2
Pipe vise	18-2
Machine table vise	18-3
Pin vise	18-3
Piston holding vise	18-3
Handsaw filing vise	18-3
USING	18-4
CARE	18-5

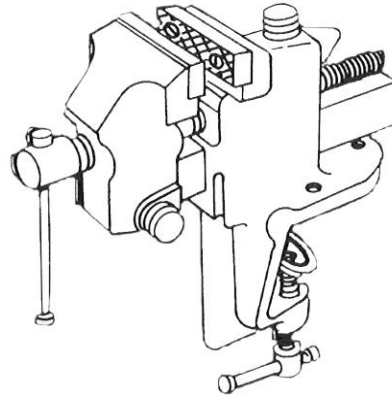
TYPES AND USES

MACHINIST'S BENCH VISE



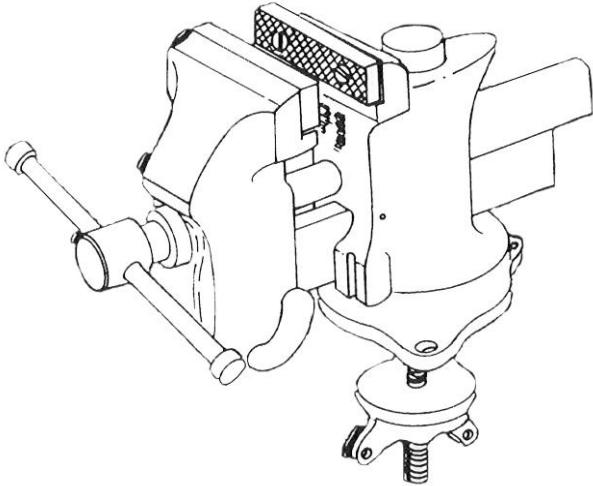
The machinist's bench vise has rough jaws which prevent the work from slipping. It has a swivel base, allowing the user to position the vise in a better working position. Machinist's bench vises are usually bolted to a work bench or table. They are used for holding or clamping large, heavy objects.

CLAMP BASE BENCH VISE



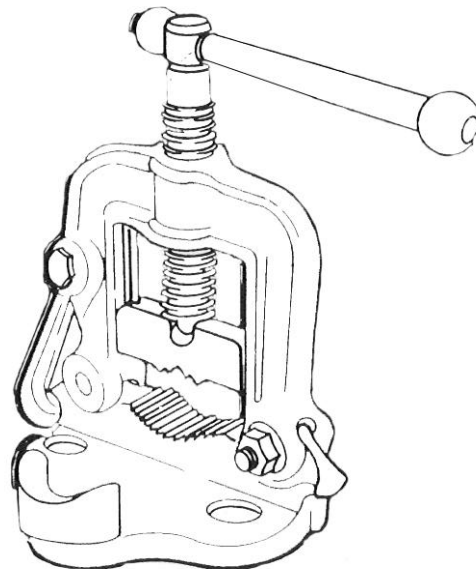
The clamp base bench vise is a lightweight, portable machinist's vise. It is attached to a table or bench with the mounting clamp. It has rough jaws for holding material and may have a swivel base. Clamp base bench vises are used to hold light materials or in areas where a heavier vise is not available.

BENCH AND PIPE VISE



The bench and pipe vise is a dual purpose vise. It has rough jaws and a swivel base similar to the machinist's bench vise. However, it also has built-in pipe jaws. Bench and pipe vises are usually bolted to a work bench or table. They are used for holding or clamping heavy objects, holding pipe for cutting and threading, and for forming and shaping metal.

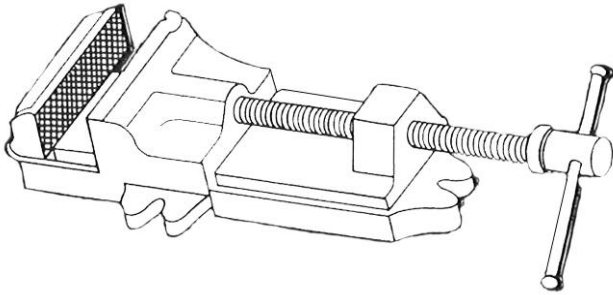
PIPE VISE



The pipe vise is a special purpose vise designed to hold round stock. It has hinged jaws which allow the user to position the work and then lock it in place. Some pipe vises have a section of chain instead of jaws for holding the pipe. Pipe vises are usually bench mounted. They are used to hold pipe from 1/8 inch to 8 inches in diameter while cutting or threading.

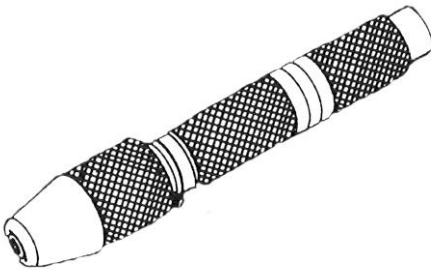
TYPES AND USES - Continued

MACHINE TABLE VISE



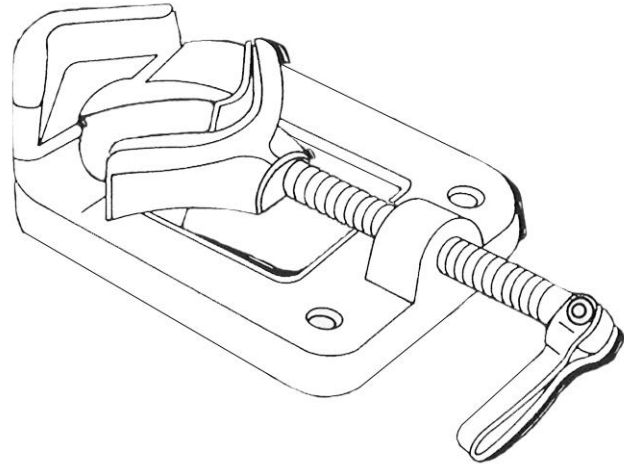
The machine table vise is a special purpose vise which may be bolted to a drill press, lathe, or table. It is available in two sizes, one having a 3-1/2-inch jaw width and a 3-inch jaw opening, and the other having a 6-inch jaw width and a 6-inch jaw opening. Machine table vises are used to hold small pieces of wood or metal for machining or drilling operations.

PIN VISE



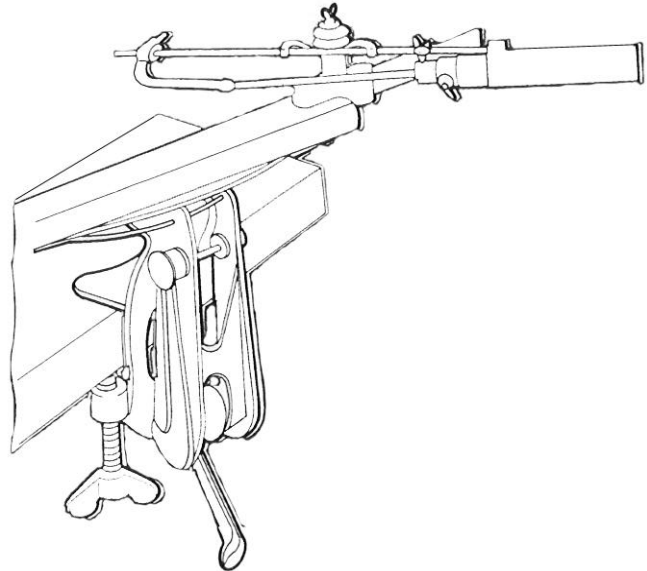
The pin vise is a special purpose vise which has a knurled metal handle and a chuck. It is designed to hold material from 0 to 0.187 inches in diameter. The pin vise is used to hold files, taps, and small drills during machining operations.

PISTON HOLDING VISE



The piston holding vise is a special purpose vise which can hold engine pistons up to and including 5-1/2 inches in diameter. This vise may be bolted to a bench or table.

HANDSAW FILING VISE

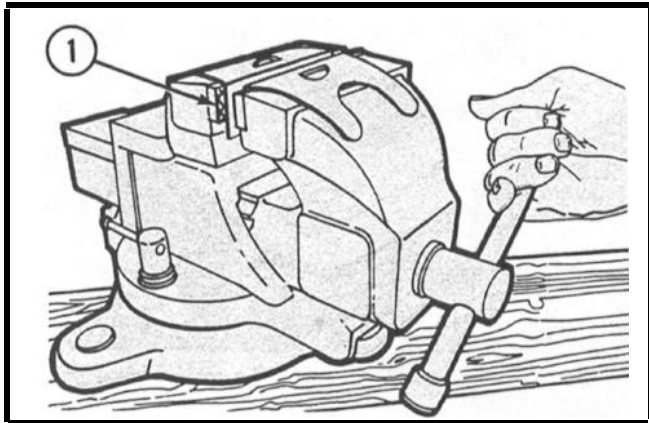


The handsaw filing vise is a special purpose vise used for holding handsaws while they are being sharpened. It has jaws between 9-1/2 and 11 inches wide, and an attachment for holding a file at a constant angle.

USING A MACHINIST'S BENCH VISE

WARNING

MAKE-SURE THE VISE IS BOLTED SECURELY TO A BENCH OR TABLE AND THE SWIVEL BASE IS LOCKED.



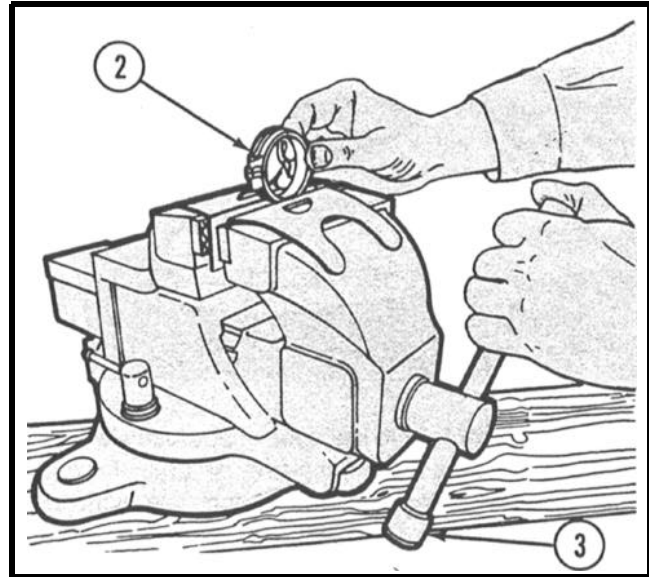
- 1 Open jaws (1) of vise wide enough to allow you to insert the object you want to clamp.

CAUTION

Use brass or copper caps on vise jaws to protect soft material when clamping.

CAUTION

Do not strike vise with a heavy object or try to hold large work in a small vise.



- 2 Insert object (2) to be clamped between vise jaws and tighten handle (3).
- 3 Work should be held firmly in place, but the jaws should not be so tight that they mar the finish. A piece of rawhide or leather may be used to protect highly polished surfaces:

NOTE

When holding hard material in vise jaws tightened by hand, give the vise handle a sharp rap for final tightening.

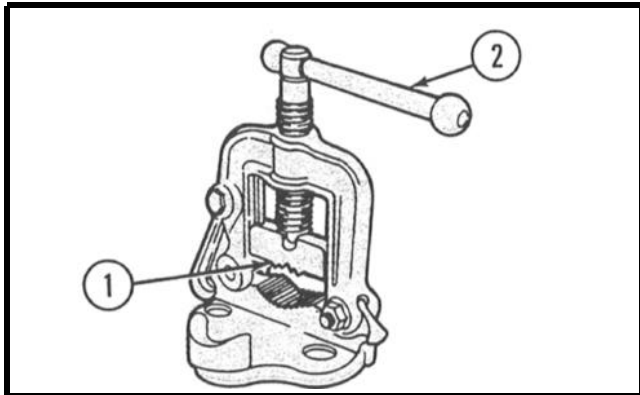
USING A PIPE VISE

WARNING

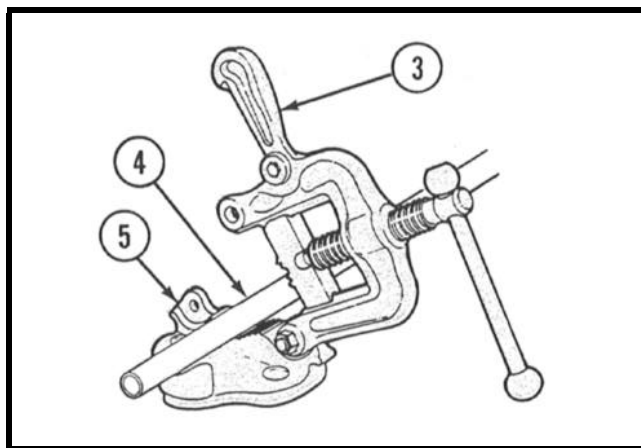
PIPE ENDS ARE EXTREMELY SHARP.
HANDLE WITH CARE.

NOTE

The following procedure provides the steps required to fasten a piece of pipe in a hinged jaw pipe vise.

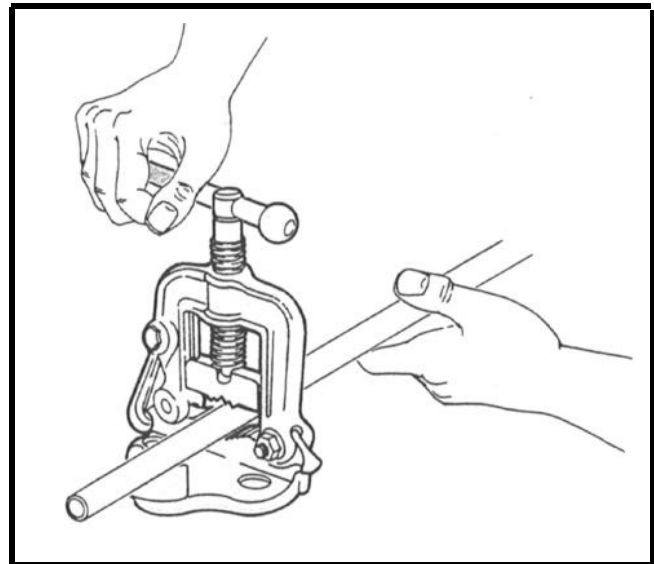


- 1 Open the pipe-holding jaws (1) by turning the threaded T-handle (2)



Lift locking device (3) and open pipe vise.

- 3 Insert section of pipe (4) in vise and close pipe vise, by pushing locking device against lip on the side of the lower holding jaw (5).
- 4 Insert locking bolt through aligned holes of upper and lower lip jaws.



CAUTION

Do not apply too much pressure to copper or aluminum pipe.

- 5 Tighten the pipe holding jaws by turning the threaded T-handle.

CARE OF VISES

Clean with a rag after each use, and apply a light coat of oil.

Never strike a vise with a heavy object or try to hold large work in a small vise.

Keep jaws in good condition.

Never oil the swivel base or swivel joint, as this decreases its holding power.

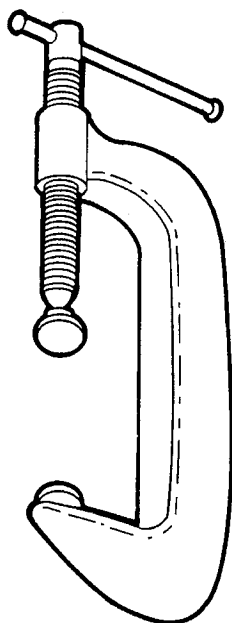
When not using a vise, bring the jaws lightly together and leave the handle in a vertical position. This will protect the jaws.

Chapter 19 CLAMPS

HOW TO CHOOSE AND USE THEM

The "Types and Uses" section provides you with a list of some of the types of clamps. These pages should help you select the right clamp to do the job. The "Using"

section tells you how to use the clamps to perform the desired function. The "Care" procedures tell you how to care for the items.

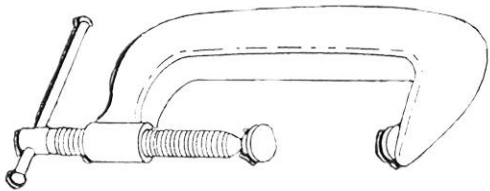


INDEX

<i>Item</i>	<i>Page</i>
TYPES AND USES	19-2
C-clamp	19-2
Hand screw clamps	19-2
USING	19-2
CARE	19-3

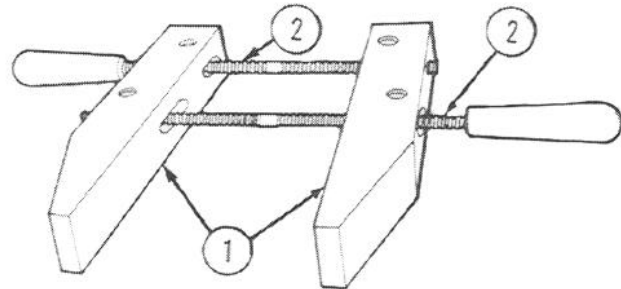
TYPES AND USES

C-CLAMPS



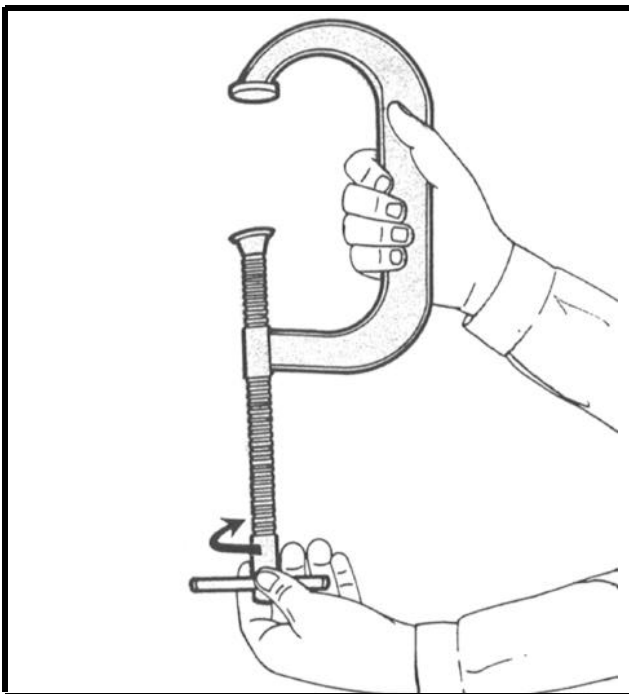
C-clamps are used to hold work which cannot be held in a vise, or which has to be held for extended periods of time. They are available in a variety of sizes.

HAND SCREW CLAMPS

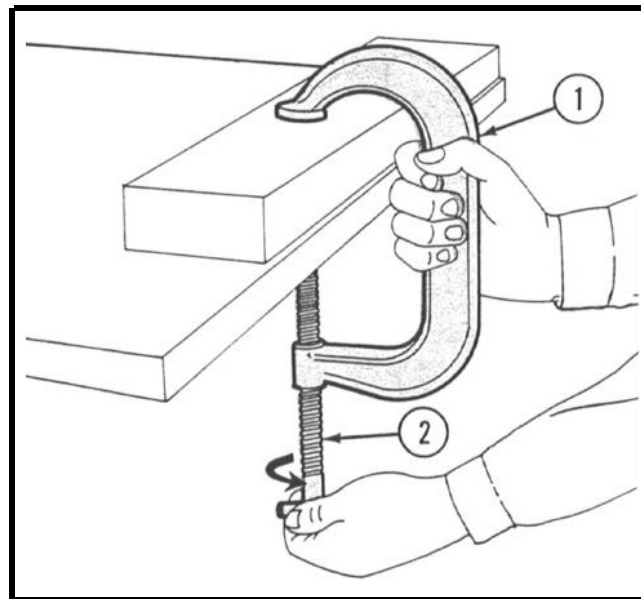


The hand screw clamp is made up of two hardwood or high impact plastic jaws (1) and two hand-operated screws (2) which hold the clamp together. The hand screw clamp is used for holding wood while gluing. They are available in a variety of sizes.

USING A C-CLAMP



Select a clamp which has an opening about 1-1/2 to 2 inches wider than the material to be clamped. Glass and highly polished surfaces must be protected. Use brass shims or wooden blocks. Open clamp as wide as it will go.



- 2 Align work and protective blocks if required. Place clamp (1) in position, and tighten operating screw (2) until contact is made with material being clamped.
- 3 Check alignment of material being clamped. Check that the clamp is applying even pressure over entire surface.

CAUTION

Do not use wrenches or bars to tighten clamps.

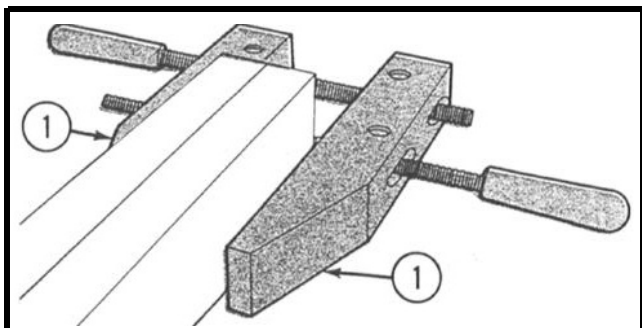
- 4 Tighten clamp against surface.

USING A HAND SCREW CLAMP

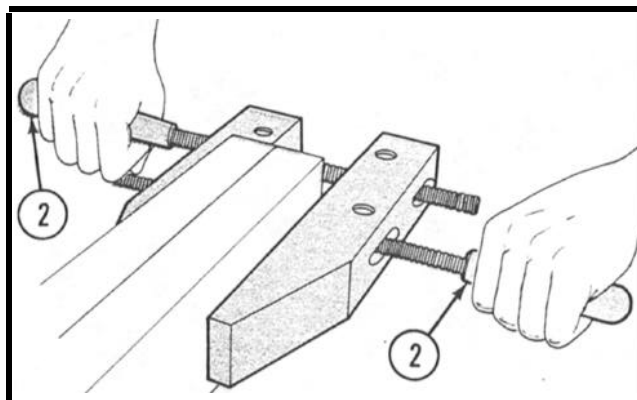
CAUTION

Use only on wood.

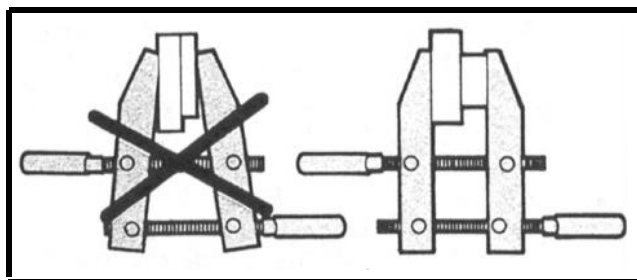
Examine material to be clamped and select a clamp which will span across the work.



- 1 Open the clamp jaws (1) and place the work between the jaws. Keep jaws parallel. Use rawhide or soft leather to protect highly polished surface.



- 2 Tighten operating screws (2) making sure the clamp jaws remain parallel. Be sure jaws fit firmly on work. Properly clamped work will form a square.



CAUTION

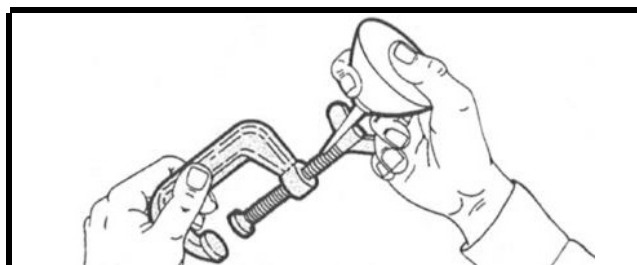
Make sure vise jaws remain parallel to edges of work.

CARE OF C-CLAMPS

Clean threads and swivel with a rag, and lubricate with a light coat of oil.

Store on a rack, on pins, or in a tool box.

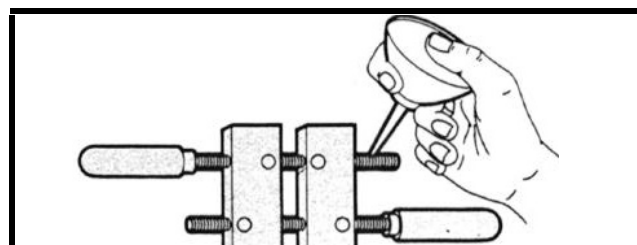
For long storage periods, apply a rust-preventive compound.



CARE OF HAND SCREW CLAMPS

Lubricate screws with a few drops of light oil. Apply light coat of linseed oil to wood surfaces.

Store clamps on racks, pins, or carefully place them in your tool box. Wipe clamps off with a rag before storing.

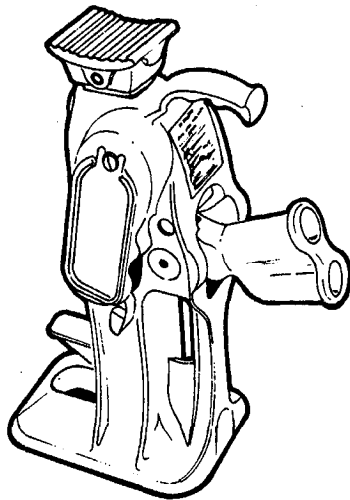


Chapter 20 JACKS

HOW TO CHOOSE AND USE THEM

The "Types and Uses" section provides you with a list of some of the types of jacks. These pages should help you select the right jack to do the job.

The "Using" section tells you how to use the jack to perform the desired function. The "Care" procedures tell you how to care for the items.



INDEX

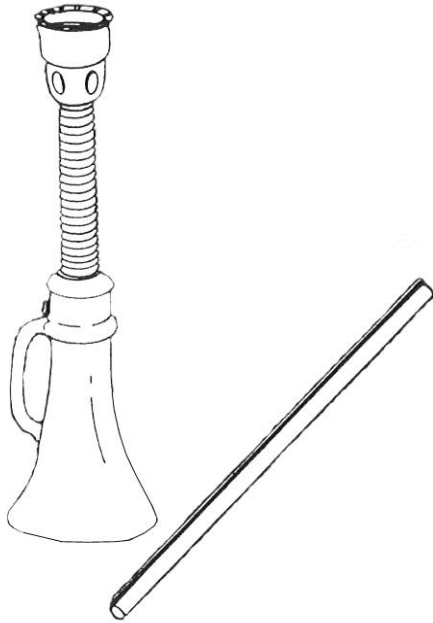
<i>Item</i>	<i>Page</i>
TYPES AND USES	20-2
Screw jacks	20-2
Ratchet lever jacks	20-3
Hydraulic jacks	20-3
SAFETY	20-4
USING	20-5
CARE	20-7

TYPES AND USES

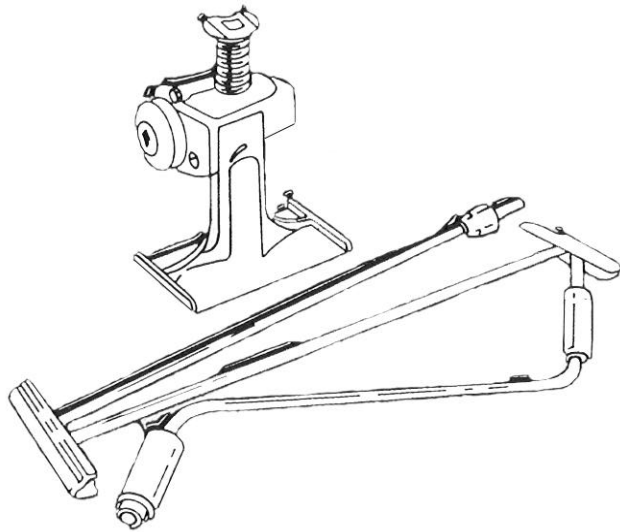
Jacks are used to raise or lower work and heavy loads short distances. Some jacks are used for pushing and pulling operations. Others are used for spreading and clamping operations.

SCREW JACKS

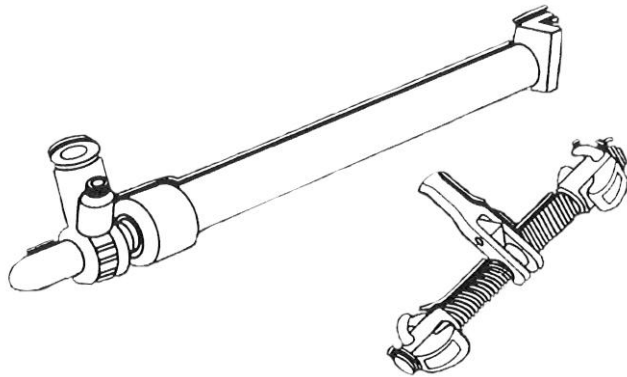
Vertical screw jacks come in several capacities and different lowered and raised heights. The screw moves up or down, depending on the direction the handle is turned. These jacks are used for many different purposes. They can be used to lift vehicles. They can also be used to raise heavy crates, small buildings, or other items too heavy to be raised by prying with wrecking bars.



The vertical bell base screw jack is operated by hand using a steel bar handle which is inserted in the holes of the top housing or head.



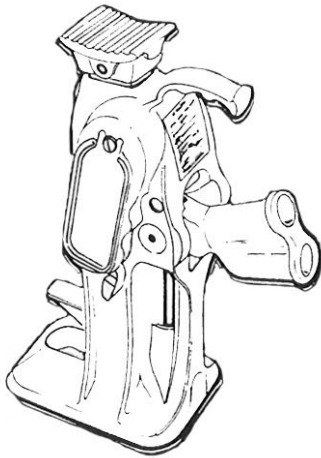
The vertical screw jack with collapsible handle is operated by hand using the collapsible handle which is inserted in a socket.



Another type of screw jack is called an outrigger jack. It is equipped with end fittings which permit pulling parts together or pushing them apart.

TYPES AND USES - Continued

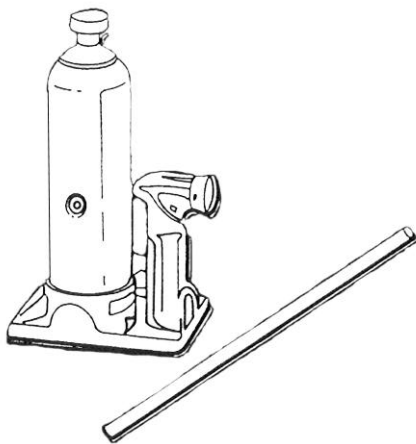
RATCHET LEVER JACKS



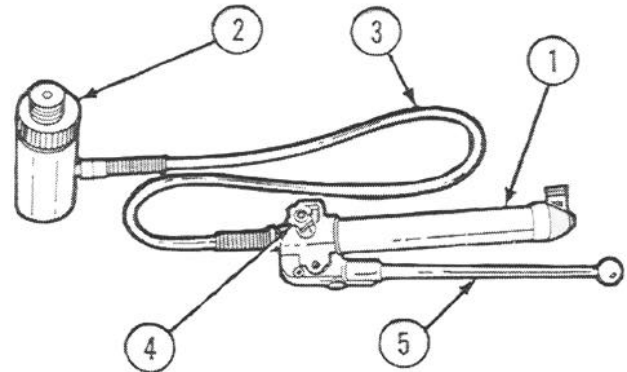
A vertical ratchet lever jack has a rack bar that is raised or lowered through a ratchet lever. Some are equipped with a double socket, one for lowering, one for raising. Others have one socket and have an automatic lowering feature.

An outrigger ratchet jack is ratchet operated and has an extra reverse ratchet handle and a base plate.

HYDRAULIC JACKS



A hydraulic jack operates through pressure applied to one side of a hydraulic cylinder which moves the jack head. These jacks are automatically lowered by releasing the pressure. Vertical hydraulic jacks come in a variety of types, in capacities from 3 to 100 tons, having different extended heights.



A push-pull hydraulic jack consists of a pump (1) and ram (2) connected by a hydraulic or oil hose (3). These jacks are rated at 3, 7, 20, 30, and 100-ton capacities and have many different applications.

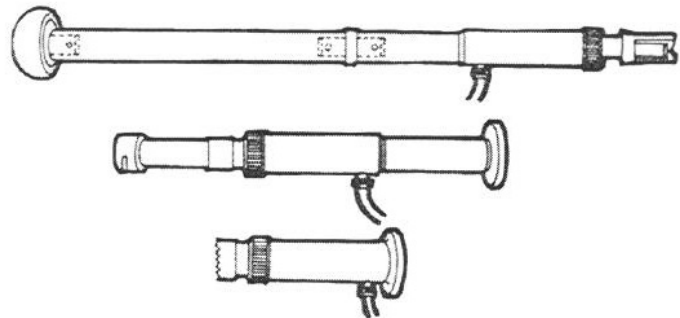
The push-pull hydraulic jacks are furnished with an assortment of attachments that enable you to perform countless pushing, pulling, lifting, pressing, bending, spreading, and clamping operations. The pump is hand operated. Simply turn the control valve (4) on the side of the pump clockwise, stroke the hand lever (5) up and down and the ram will extend. The flexible hydraulic or oil hose allows you to operate the ram from a safe distance in any desired position.

The ram retracts automatically by turning the control valve counterclockwise. The attachments can be threaded to the end of the plunger, to the ram body, or into the ram base.

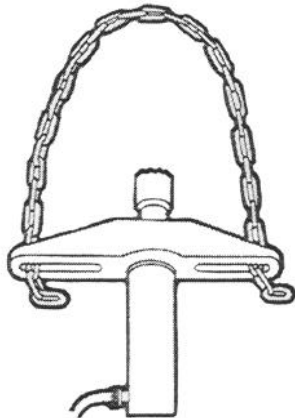
TYPES AND USES - Continued

Illustrated below are some standard combinations of the push-pull hydraulic jack attachments for various operations.

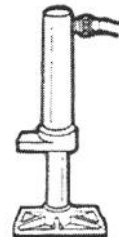
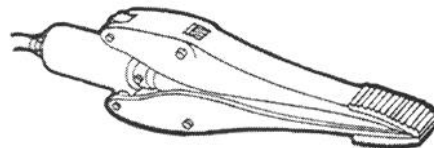
1. Jack pushing combinations
2. Jack pulling combinations
3. Jack spreading combinations
4. Jack clamping combinations



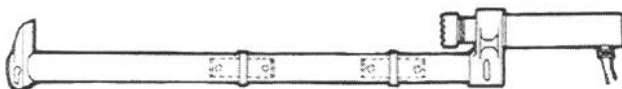
1



2



3



4

SAFETY

1. Keep fingers away from all moving parts.

WARNING

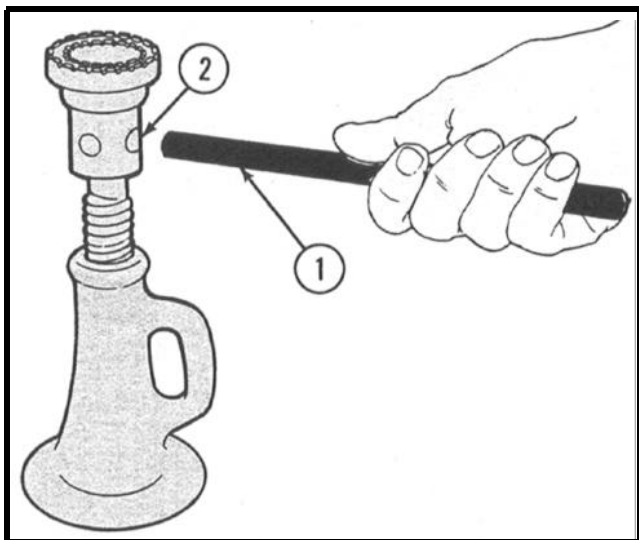
NEVER GET UNDER A LOAD THAT IS ONLY SUPPORTED BY A JACK. ANY JACK IS SUBJECT TO FAILURE AND PERSONAL INJURY COULD RESULT.

2. When jacking up vehicles, make certain no one is under the vehicle to be raised. Set the hand brake firmly and block the front wheels if a rear wheel is being changed. Block the rear wheels if a front wheel is being changed. Place blocking or other

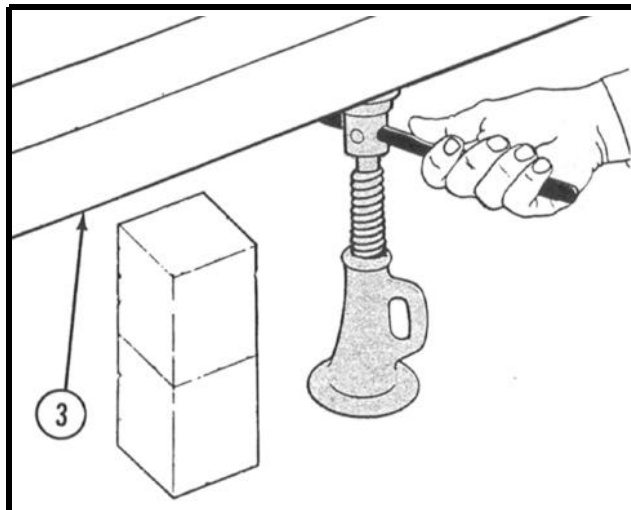
supports under the vehicle when it is raised to the desired height to prevent it from dropping if the jack fails.

3. Make certain that hydraulic jacks are filled with oil and that there are no visible oil leaks before using.
4. Any new or repaired jack should be carefully inspected by the operator prior to use.
5. Overloading can be hazardous to the jack, the operating personnel, and the load in event of jack failure.
6. Be aware of the capabilities of the jack, especially its load capacity.

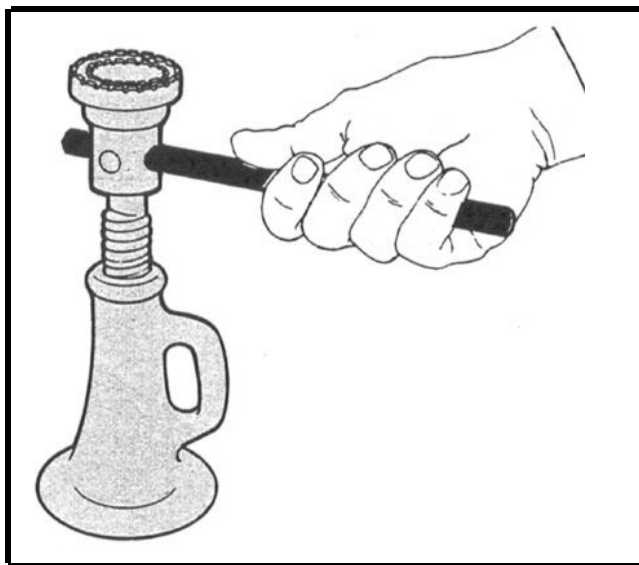
USING A BELL BASE SCREW JACK



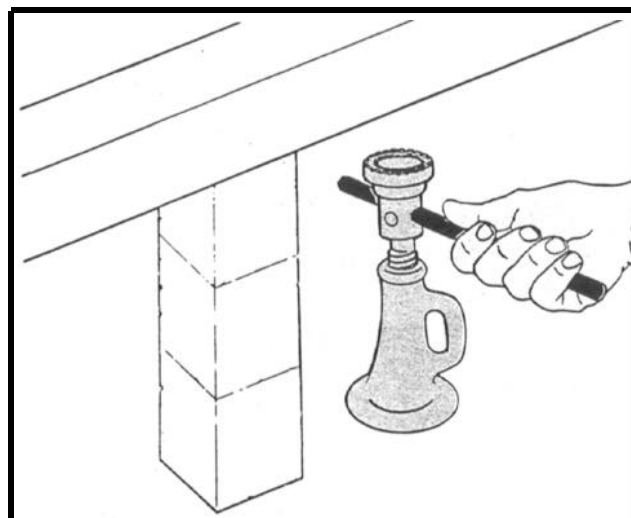
1 Insert the handle or bar (1) in the hole in the top housing or head (2).



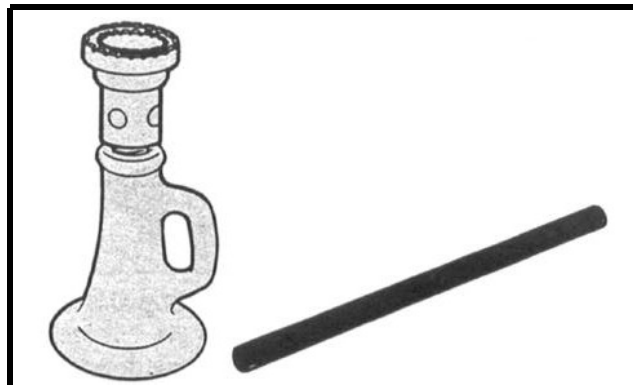
3 The jack will raise the load (3) with every degree turned on the handle.



2 Turn or push the handle to the right to raise the jack, to the left to lower the jack.

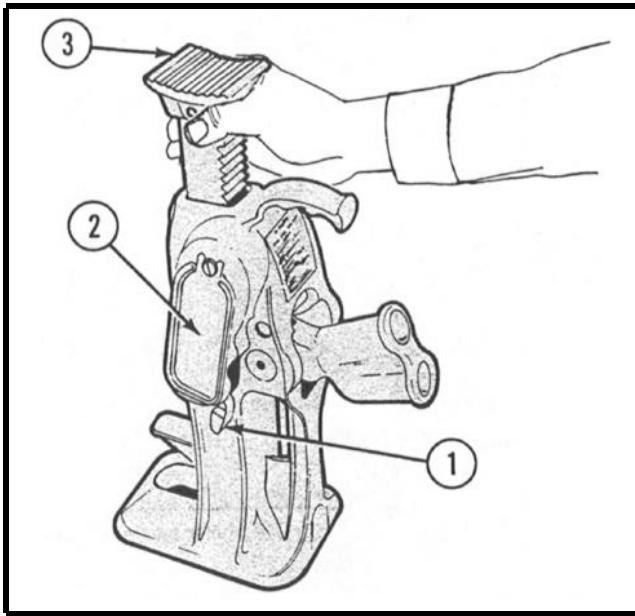


4 Block the load to withdraw the jack.

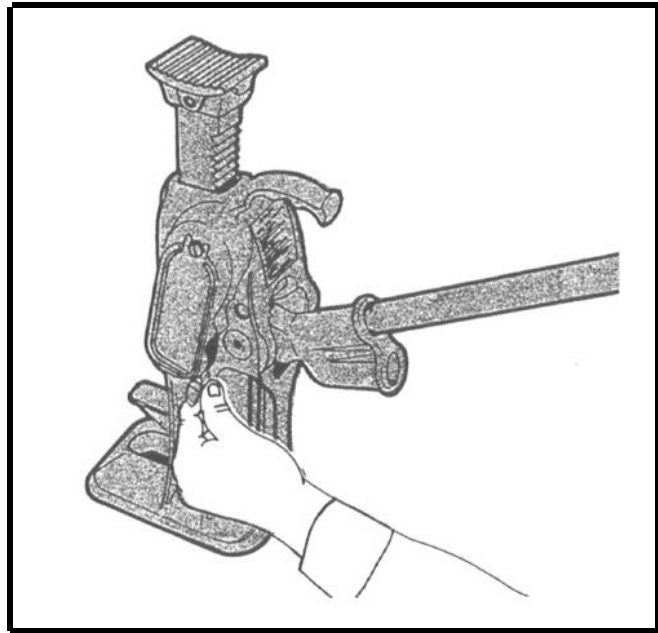


5 Screw the jack all the way down in the lower housing and withdraw the handle or bar for storage upon completion of the job.

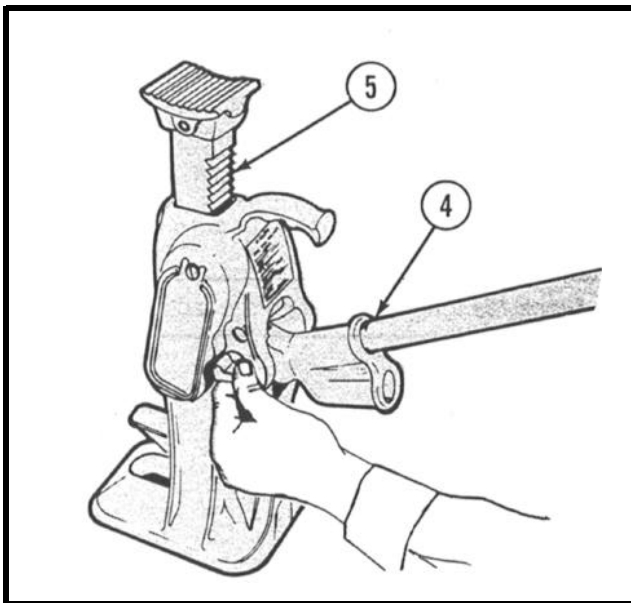
USING A RATCHET LEVER JACK



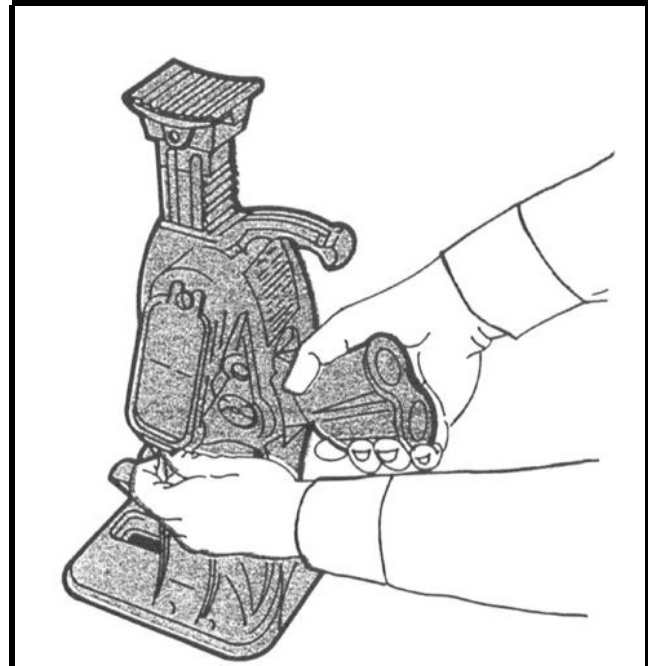
- 1** The operator should familiarize himself with the jack, its capabilities and its operations. The reversing lever (1) is located below the lifting mechanism cover (2) on the left side of jack when viewed from the lifting lever. When preparing to lift a load, the head (3) can be pulled up by hand to meet the load.



- 3** To lower a load, push reversing lever to straight-down position and operate the lever. The jack will lower the load one notch for each upstroke of the lever.



- 2** To raise a load, pull reversing lever up and toward the operator and operate the lever (4). The jack will raise the load one notch for each lever downstroke. The rack (5) cannot be ratcheted out of the base, as it is designed to stop when raised to its top limit.



- 4** When the head of the five-ton jack is not supporting a load, the rack can be allowed to fall free by pressing the reversing lever all the way to the rear and slightly lifting up on the lifting lever. The rack will not fall free if even a slight load is still on the head.

CARE OF JACKS

1. Coat all surfaces with a thin film of light oil when not in use.
2. For long periods of storage, the jacks should be covered with a rust-preventive compound and stored in a dry place.
3. Periodically check hydraulic fluid level in push-pull hydraulic jacks. Stand the pump on end before taking out the fill plug, then fill with oil. Make sure the ram is in the retracted position when checking level of oil and when filling.
4. Ratchet lever jacks should be well greased. A thin coat applied with hand or brush is sufficient for all movable parts except the bushings. The bushings should be filled with grease in the small hole-provided for greasing purposes. Keep rack sides and front greased, but do not grease the rack teeth.

Chapter 21 HAMMERS, MALLETS AND MAULS

HOW TO CHOOSE AND USE THEM

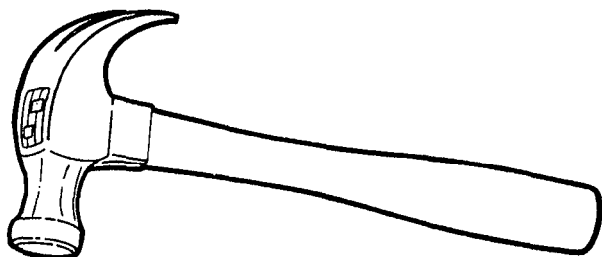
The "Types and Uses" pages provide you with a list of the more common types of hammers. These pages should help you select the right hammer for the job.

The "Care and Safety" pages tell you how to keep your tools in proper condition and how to use them safely.

The "Using Hammers" pages tell you how to perform a specific task using the carpenter's, machinist's, and soft-faced hammers.

There are many more uses for these hammers, however. By becoming familiar with the uses outlined, you will build a good background for using any hammer.

The "Repair" pages tell you how to replace a wooden handle.



INDEX

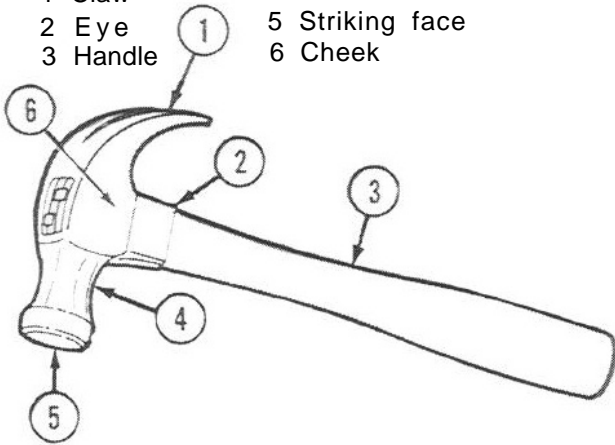
TYPES AND USES

<i>Item</i>	<i>Page</i>
TYPES AND USES	21-2
Carpenter's hammer	21-2
Machinist's peen hammers	21-2
Bumping body hammer	21-3
Blacksmith's or sledge hammers	21-3
Jeweler's hammer	21-4
Mason's hammer	21-4
Napping hammer	21-4
Riveting hammer	21-4
Sawmaker's hammer	21-4
Setting hammer	21-5
Soft-faced hammer	21-5
Lead or copper hammer	21-5
Inserted soft-faced hammer	21-5
Trimmer's hammer	21-6
Welder's hammer	21-6
Dead blow hammers	21-7
MALLETS	21-7
Carpenter's mallet	21-7
Rawhide mallet	21-7
Rubber mallet	21-7
Tinner's mallet	21-7
MAULS	21-8
Railroad track maul	21-8
Wooden maul	21-8
SAFETY	21-8
USE	21-9
CARE	21-12
REPLACING THE HANDLE	21-13

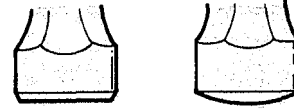
TYPES AND USES

Parts of a hammer are as follows:

- | | |
|----------|-----------------|
| 1 Claw | 4 Neck |
| 2 Eye | 5 Striking face |
| 3 Handle | 6 Cheek |



And there are two types of striking faces.

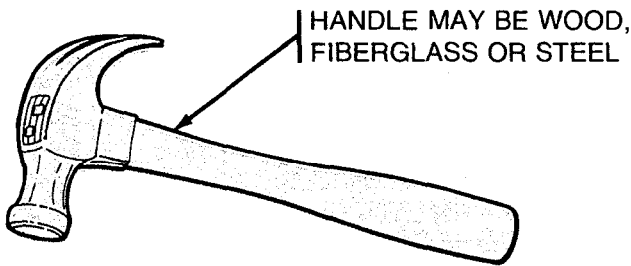


FLAT FACE BELL FACE

NOTE

When using a flat-faced hammer to drive a nail, the nail head must be square with the face of the hammer at time of impact. The bell-faced hammer offers a uniform face to the nail head even though the hammer face is slightly tipped at time of impact.

CARPENTER'S HAMMER

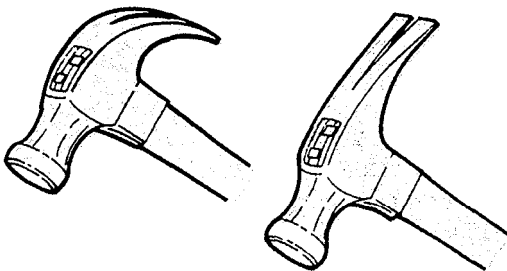


Hammers come in 7, 13, 16 and 20 ounce sizes. Your selection should be based upon the following: flat face for rough work, or bell face for finishing work where you don't want dents in the finish.

The straight claw is generally used for ripping and framing. The curved claw is preferred for general use.

The carpenter's hammer is used for driving and pulling nails and tapping wood chisels.

There are two types of claws,



CURVED CLAW STRAIGHT CLAW

CAUTION

Never use a claw hammer on a steel punch or on hardened steel-cut or masonry nails. The face is too soft and could chip.

Be sure to check for a loose head or a cracked handle before use.

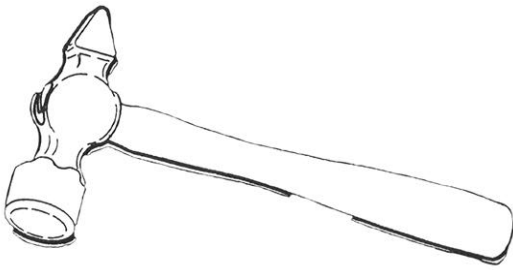
MACHINIST'S PEEN HAMMER

All machinists peen hammers have a flat striking face on one end of the head for striking punches and chisels. The other end of the head can be one of the following:

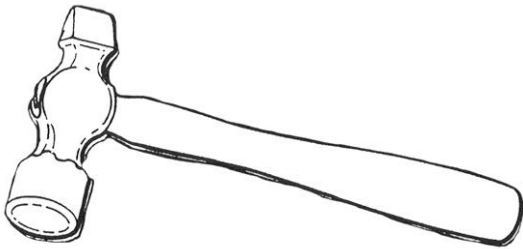


A ball peen hammer is used for forming soft metal, peening rivet heads, and striking metal in out-of-the-way places.

TYPES AND USES - Continued

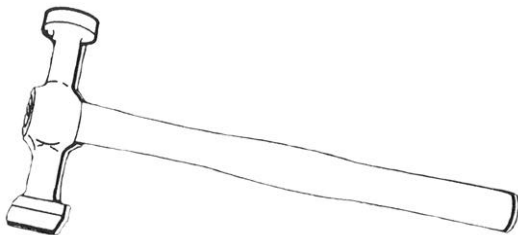


A cross peen hammer is used as a chisel for removing rivet heads and for stretching or bending metal.



A straight peen hammer is used like the cross peen but differs from the cross peen since its peening edge is turned ninety degrees. This keeps the handle parallel to the struck surface.

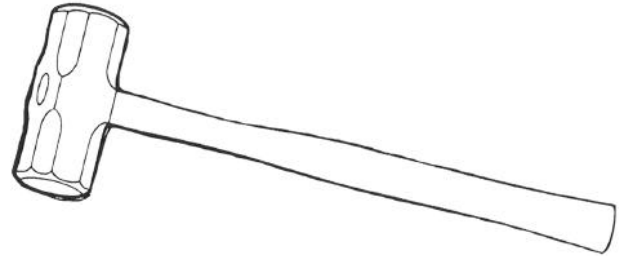
BUMPING BODY HAMMER



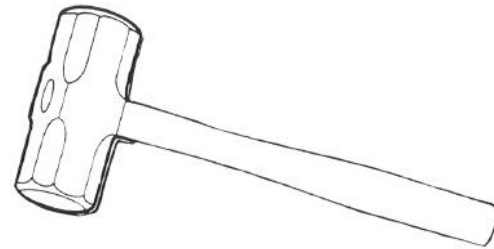
A bumping body hammer is used to straighten and form metal.

BLACKSMITH'S OR SLEDGE HAMMERS

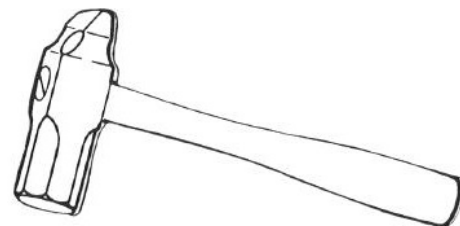
Blacksmith's or sledge hammers are used for striking punches and chisels, for breaking stones and concrete, and for setting timbers. These hammers, although similar to the machinist's hammers, give the user the advantage of a heavier head and a longer handle.



A double face sledge hammer has similar faces on both sides of the head.



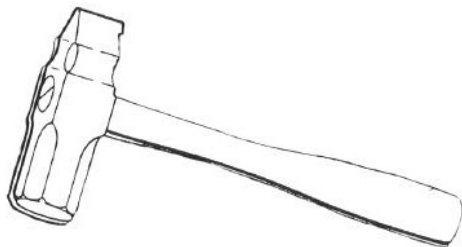
The club hammer is a heavy double-faced demolition hammer. It is primarily used to break up masonry.



Cross peen hammers have a broad flat face on one side of the head and a peening chisel edge on the other side.

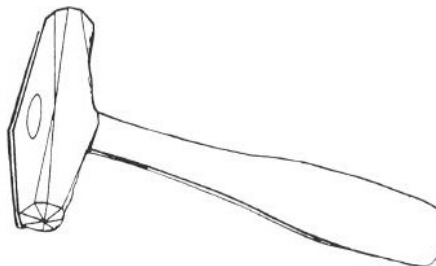
TYPES AND USES - Continued

BLACKSMITH'S OR SLEDGE HAMMERS (Cont)



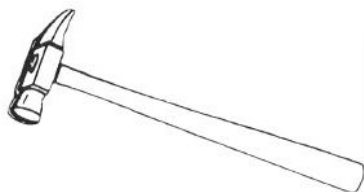
The straight peen is similar to the cross peen except that its peening edge is turned ninety degrees. This keeps the handle parallel to the struck surface.

NAPPING HAMMER



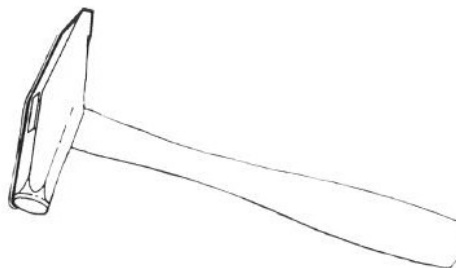
The napping hammer has a high carbon steel head with two tapered faces and weighs about 3 pounds. It is used for chipping stone surfaces or for forming stones during road construction or similar stone work.

JEWELER'S HAMMER



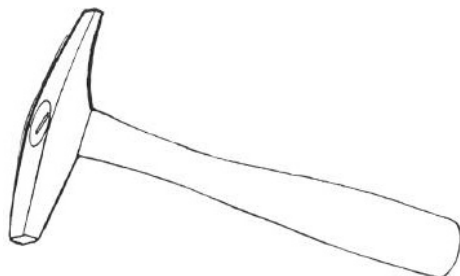
The jeweler's hammer has a lightweight head weighing between 1-3/4 and 2 ounces. It is used to drive pins and shafts from precision instruments.

RIVETING HAMMER



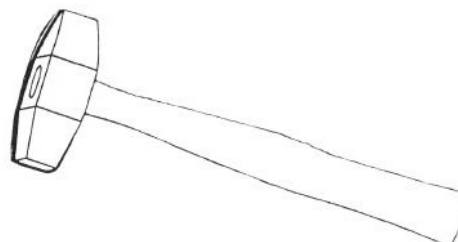
The riveting hammer has a round face on one end of the head. It is used for peening rivet heads. The other end has a tapered chisel which is used for upsetting rivets.

MASON'S HAMMER



The mason's hammer has a flat striking face on one end of the head and a tapered chisel on the other end. It is used for setting and cutting bricks and flat stones.

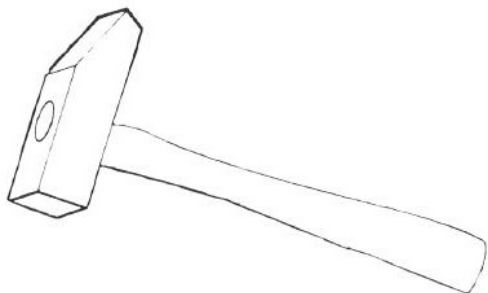
SAWMAKER'S HAMMER



The sawmaker's hammer has a tapered blunt face on one end of the head and a tapered chisel face on the other end. It is used for setting the teeth on saws when a setting tool is unavailable.

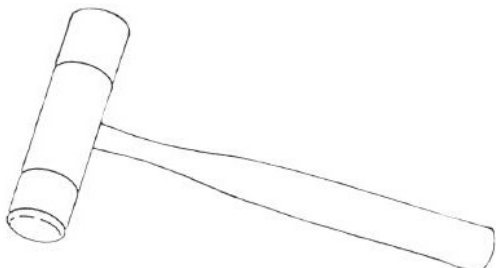
TYPES AND USES - Continued

SETTING HAMMER



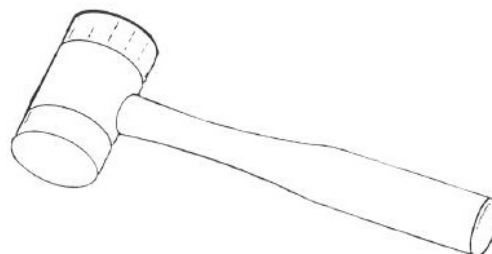
The setting hammer has a square flat face on one end of the head and a sloping beveled edge on the other end. It is used in sheet metal work for leveling and bending edges and for setting double seams.

SOFT-FACED HAMMER



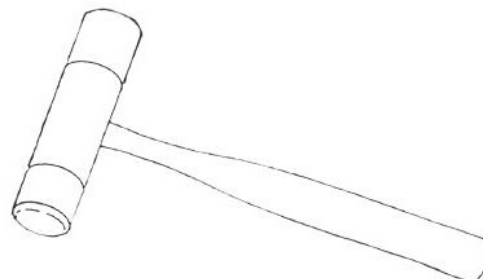
Soft-faced hammers are capable of delivering heavy blows to machined, highly polished or soft surfaces without damaging the surface.

LEAD OR COPPER HAMMER



Lead or copper hammers are usually used for aligning steel surfaces. Copper hammers range in head weight from 8 ounces up to 3 pounds. Working surfaces of lead and copper hammers may be filed to restore even faces. Molds are available for repouring lead hammers.

INSERTED SOFT-FACED HAMMER



Inserted soft-faced hammers provide the user with a dual purpose hammer. Any two faces may be assembled on a single handle holder. The following tables will assist you in selecting the proper face hardness for the task you are attempting:

Hardness		Symbol	Color
soft		S	Brown
Medium		M	Red
Tough		T	Green
Medium	Hard	N	Cream
Hard		H	Black
Extra Hard		XH	Yellow

Faces and handle holders are available in 1 inch, 1-1/2 inch, 2 inch, 2-1/2 inch and 3 inch diameters.

TYPES AND USES - Continued

INSERTED SOFT-FACED HAMMER (Cont)

USE THIS CONVERSION CHART FOR FACE SELECTION

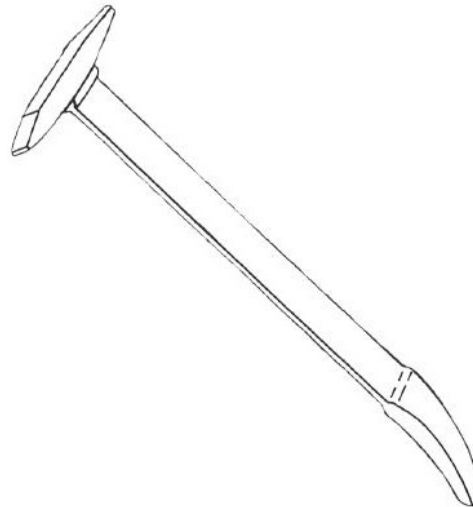
Type	Soft	Medium	Tough	Medium Hard	Hard	Extra Hard
Soft Rubber	S					
Wood	S	M		N		
Rubber		M				
Hard Wood			T			
Lead			T	N		
Plastic			T		H	
Rawhide		M	T	N	H	XH
Micarta					H	XH
Fibre					H	XH
Copper						XH

TRIMMER'S HAMMER



The trimmer's hammer has a round flat face on one end of the head and has a tapered chisel face on the other end. A claw is attached on the end of the handle and is used for pulling tacks. It is used for installing tacks and brads.

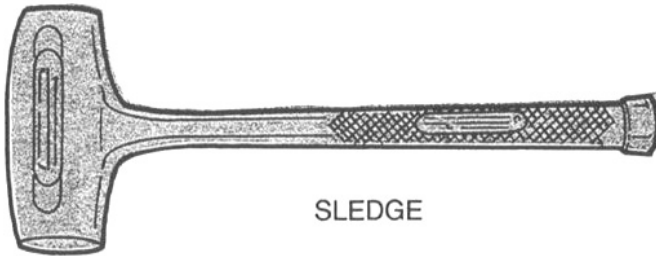
WELDER'S HAMMER



The welder's hammer has one or two tapered chisel faces. Those having only one tapered face have a replaceable brush attached. The hammer face is used for chipping welds, while the brush is used for cleaning welds and brushing away the slag chipped from the weld.

TYPES AND USES - Continued

DEAD BLOW HAMMERS



SLEDGE



STANDARD HEAD



SLIMLINE HEAD



BALL PEEN

The dead blow hammer is a shot-filled, rubber encased, single-piece hammer. It features a wrap-around grip and a flanged butt. Four basic types of dead blow hammers are currently in use. They are: the standard head, slimline head, sledge, and ball peen. Some advantages of the dead blow hammers are greater striking power, and the elimination of broken heads and splintered handles.

MALLETS

CARPENTER'S MALLET



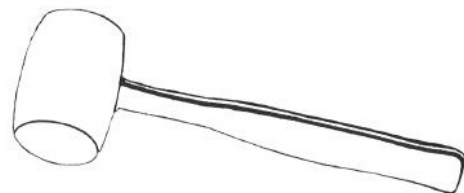
The carpenter's mallet has a cylindrical wooden head often bound with thin metal bands for support. It is used for driving dowels, small stakes, wooden handled chisels and for forming and shaping sheet metal.

RAWHIDE MALLET



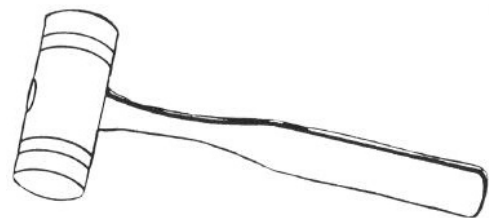
The rawhide mallet has a cylindrical head which is made by tightly wrapping and staking a sheet of leather. It is used for forming and shaping sheet metal.

RUBBER MALLET



The rubber mallet has a cylindrical rubber head. It is used for forming sheet metal, driving dowels, and small stakes.

TINNER'S MALLET

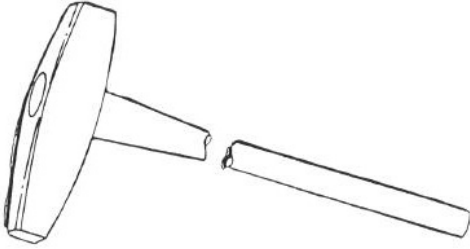


The tinner's mallet has a cylindrical wooden head which is from 1-1/4 to 3-1/2 inches in diameter and from 3 to 6 inches in length. It is used to form and shape sheet metal.

TYPES AND USES - Continued

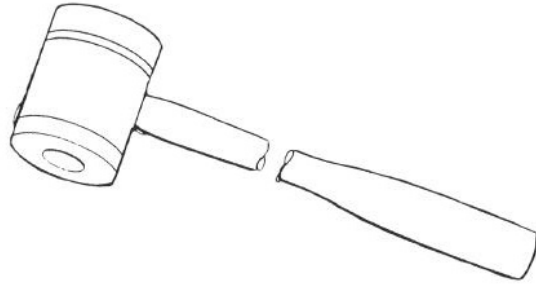
MAULS

RAILROAD TRACK MAUL



The railroad track maul has a flat faced tapered head which weighs about 10 pounds. They are used for driving railroad track spikes.

WOODEN MAUL



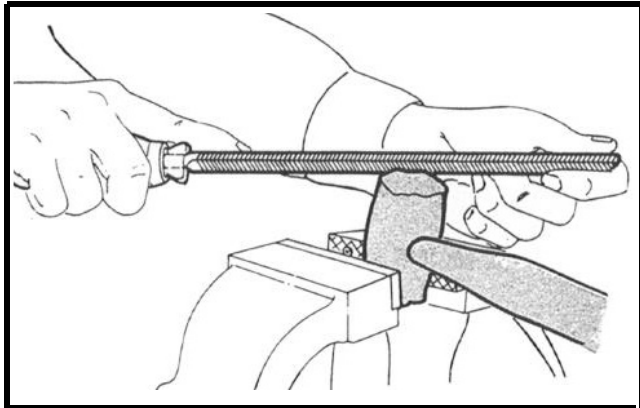
The wooden maul has a cylindrical head which is about 8 inches in diameter and about 10 inches long. It is used to drive wooden pickets, posts and stakes.

SAFETY

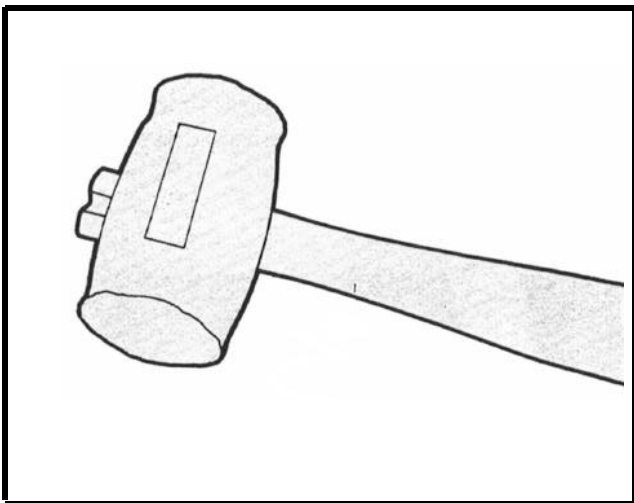
WARNING

NEVER, NEVER USE AN UNSAFE HAMMER. BEFORE USING, CHECK FOR A LOOSE HEAD OR A CRACKED HANDLE. DO NOT USE HANDLE AS A PRY BAR, OR TO KNOCK SHARP EDGES TOGETHER.

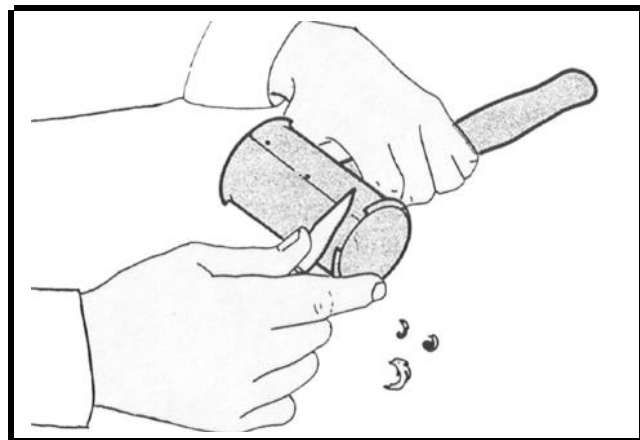
1. Inspect the faces of steel hammers for wear, dents, or chips. They can be dangerous if chips fly off.
2. Replace the hammer if these conditions are found.



4. File edges of copper, lead or plastic mallets down to the original shape.



3. Inspect copper, lead, plastic, or rawhide mallets for "mushrooming."

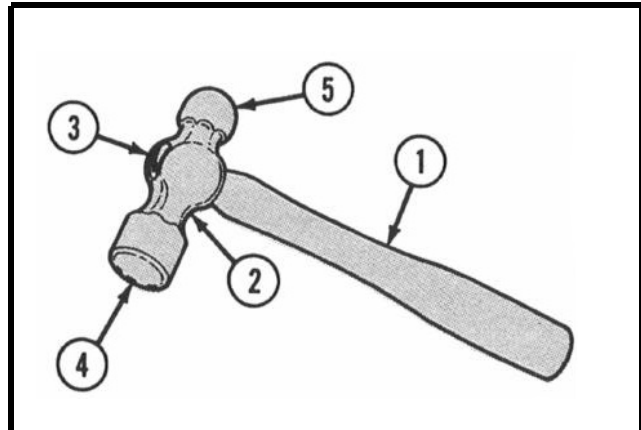


5. Trim a rawhide mallet with a knife.

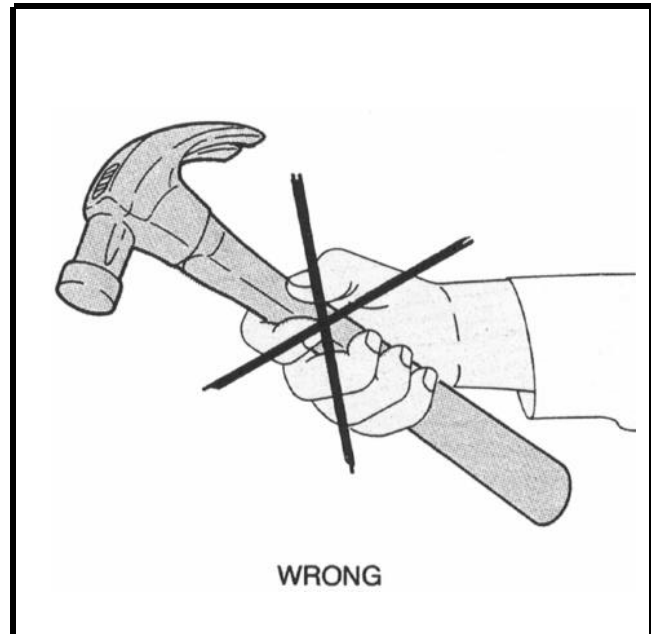
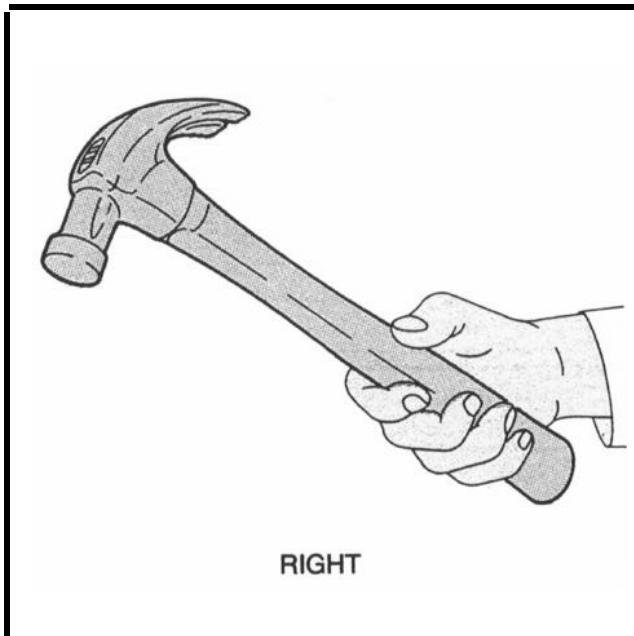
SAFETY - Continued

Specific Steps to Take

1. Make sure handle (1) is tight in head (2).
Do not tape a cracked handle.
REPLACE IT.
2. Make sure wedges (3) are in handle (1), keeping head (2) tight on handle.
USE ONLY CORRECT WEDGES.
3. Make sure striking face (4) and ball peen (5) are free of oil.



USING HAMMERS



The proper way to hold any hammer is near the end of the handle. The handle is shaped for gripping without slipping from your grasp at this position, and gives the best control and impact with least effort. Strike nail or tool squarely and on center to prevent the hammer from glancing off.

The wrist and arm motion depends on the power of the impact required. Small nails require light blows almost entirely from a wrist motion. Heavy blows, needed, to drive a large nail or other similar task, come from the wrist, forearm and shoulder.

USING A CARPENTER'S HAMMER

WARNING

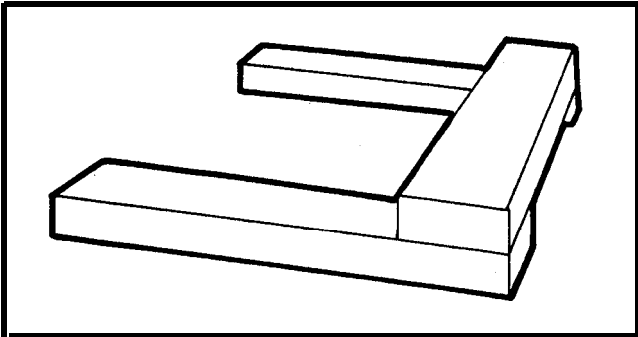
WEAR EYE PROTECTION AND WATCH THE FINGERS.

CAUTION

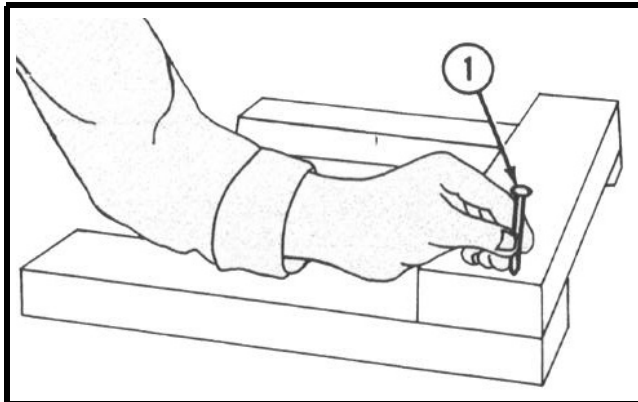
Never use a claw hammer on a steel punch or on hardened steel-cut or masonry nails. The face is too soft and could chip.

Be sure to check for a loose head or a cracked handle before use.

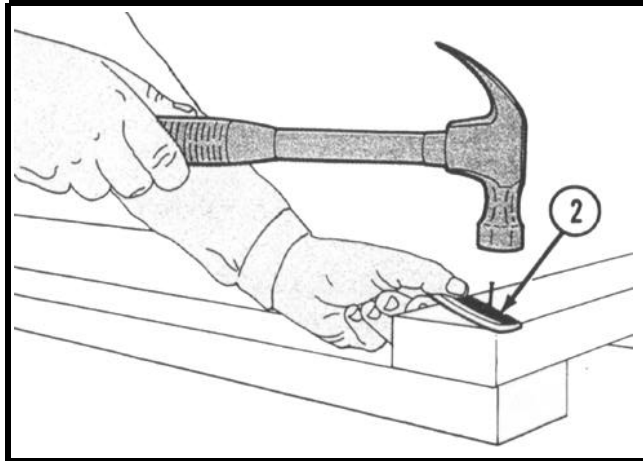
The following set-up is established to provide practice driving nails successfully.



- 1 Lay two pieces of wood parallel to each other. Place a third piece on top and align so that the edges are even.

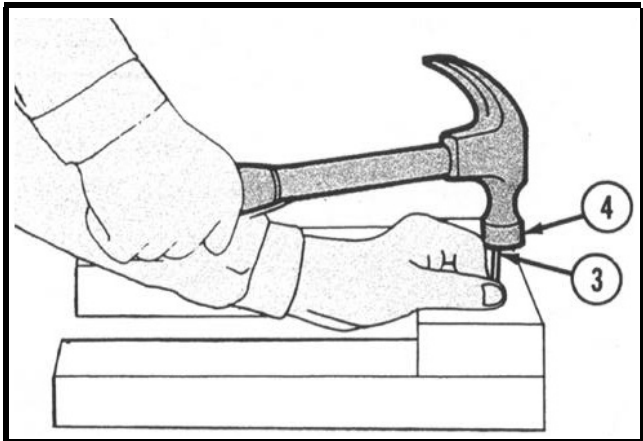


- 2 Support a common nail (1) between thumb and first finger about halfway up the nail.

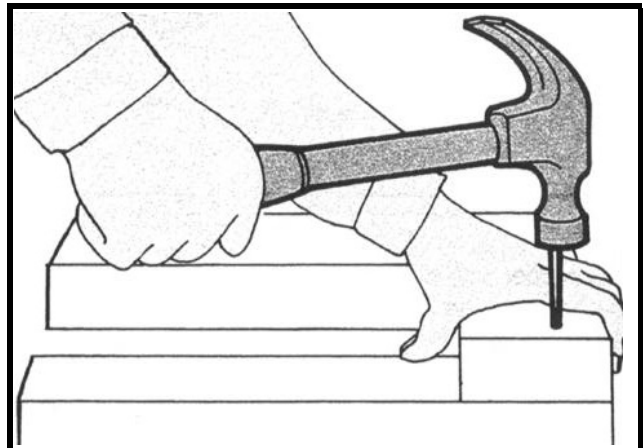


NOTE

A piece of paper or a comb (2) can be used to hold small nails.

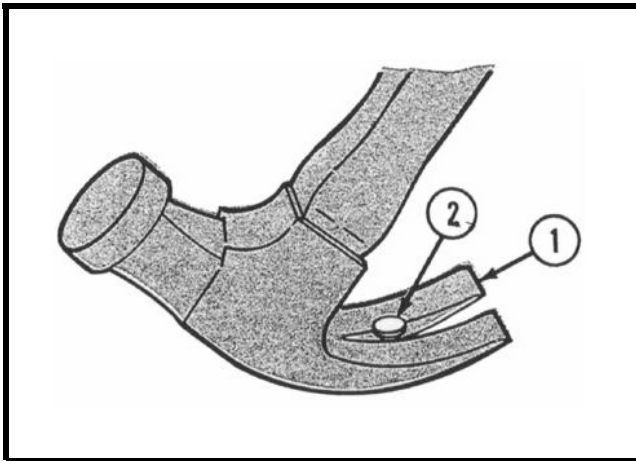


- 3 Tap nail head (3) with hammer face (4) until the nail will remain standing by itself.

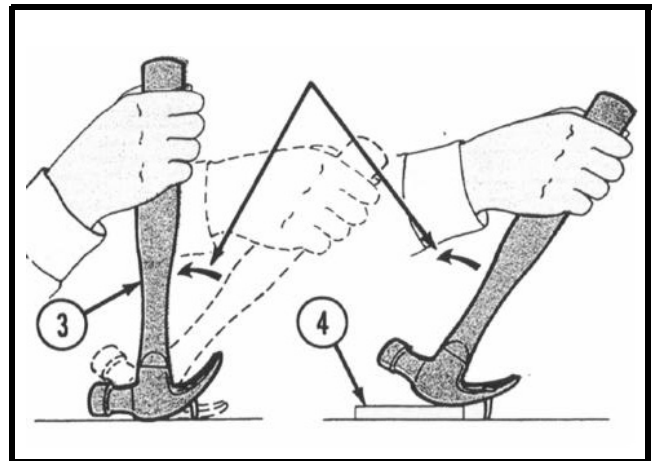


- 4 Remove fingers and drive nail flush. Make sure the hand supporting the work is not in direct line with the hammer blows.

USING A CARPENTER'S HAMMER - Continued

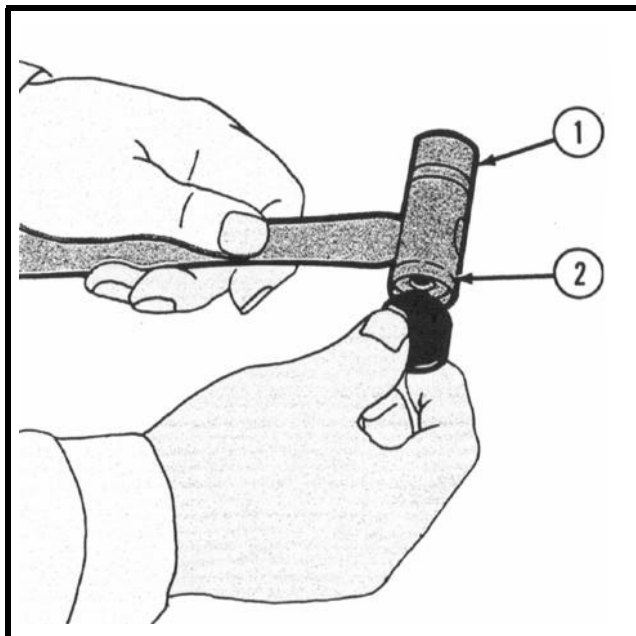


1 The claw end (1) of the hammer is for pulling nails or prying boards. Slip the claw under the nail head (2) as far as it will go, to prevent bending the head up.



2 Pull the handle (3) to a vertical position to withdraw the nail.
 3 For longer nails, place a block of wood (4) under the head for better leverage.

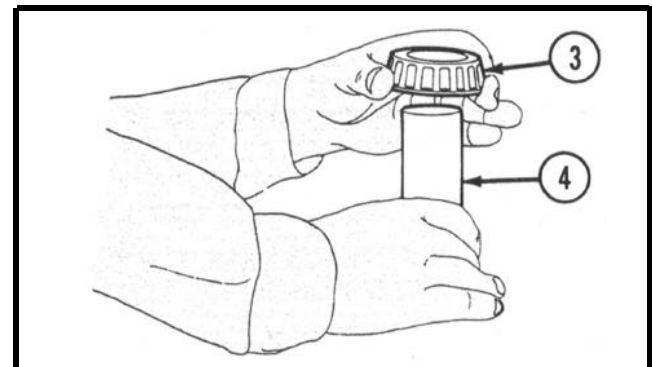
USING AN INSERTED FACE HAMMER



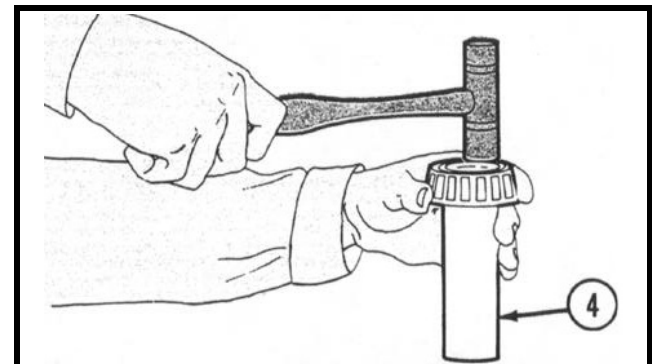
NOTE

The following procedure is only one of many uses of a soft-faced hammer.

1 Make sure faces (1) are tight in holder (2).

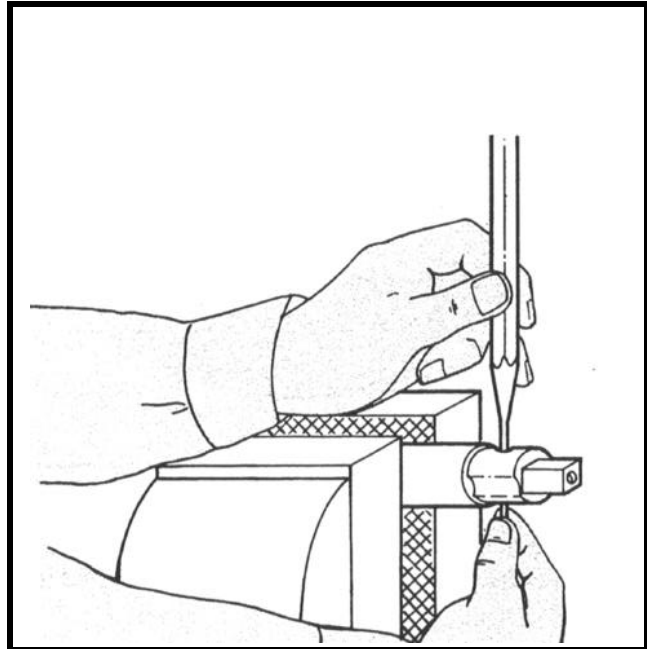
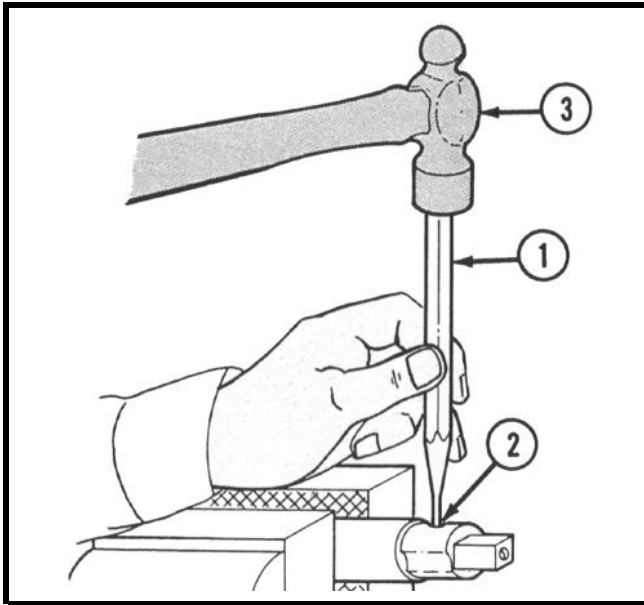


2 Unwrap bearing (3) and center over shaft (4).



3 While supporting bearing with left hand use soft-faced hammer to tap in a circular motion until edge of bearing is flush with shaft (4).

USING A MACHINIST'S BALL PEEN HAMMER



The following procedure is one of many uses of the machinist's hammer.

- 1 To remove a spring pin from a shaft, select a drift punch about the same diameter as the pin and a machinist's hammer having a face larger than the punch head.
- 2 Hold punch (1) in your left hand centered over pin (2), tap punch lightly with hammer (3). This should move the pin.

- 3 Catch the pin in your right hand before it falls out of the shaft.

NOTE

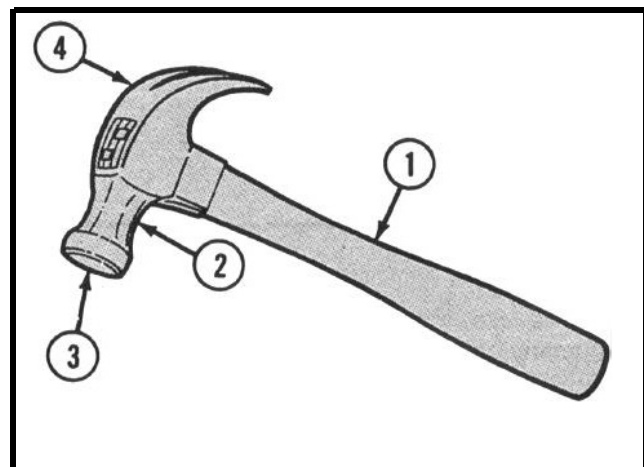
After the pin is about half way out of the shaft, you should not hold the punch.

NOTE

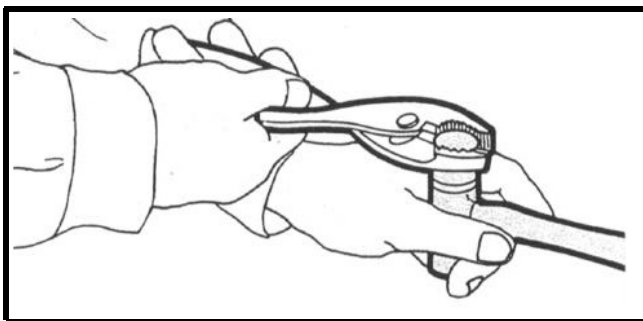
It may be necessary to apply penetrating oil to the pin before it will move.

CARE OF HAMMERS

1. Check for cracks in handle (1). Replace handle if cracked. Check for loose head (2). Replace missing or makeshift wedges to be sure head is tight. If not tight, replace handle.
2. Periodically rub a small amount of linseed oil into the wood handles (1) to prevent the wood from drying out and shrinking.
3. Replace hammer if it has a worn or chipped face (3) or claw (4).
4. Lightly lubricate metal parts when storing the hammer for a lengthy period.
5. Wipe oil and grease from rubber mallets to prevent damage to rubber.



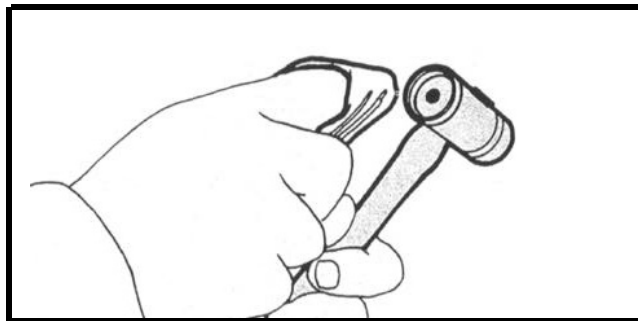
CARE OF INSERTED FACE HAMMERS



1. Broken or chipped faces may be removed by turning in a counterclockwise direction.

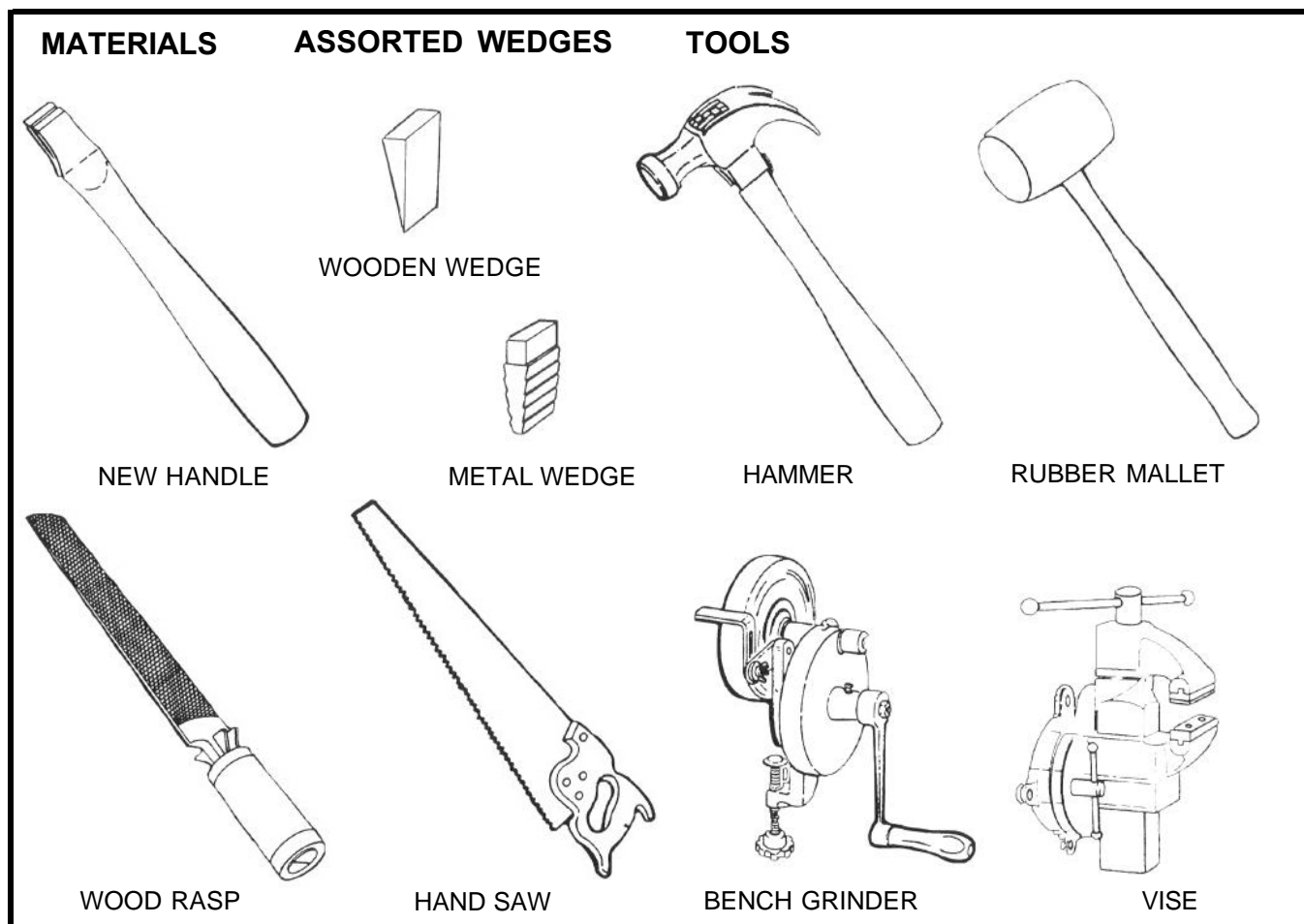
NOTE

Use a pair of pliers or a rag on broken faces to prevent scraping your hands.



2. Wipe out face seat on holder with a clean rag. Install new face by turning in a clockwise direction.
3. If holder is broken or cracked, remove both faces by turning in a counterclockwise direction.
4. Obtain a new holder and install faces by turning in a clockwise direction.

REPLACING THE HANDLE

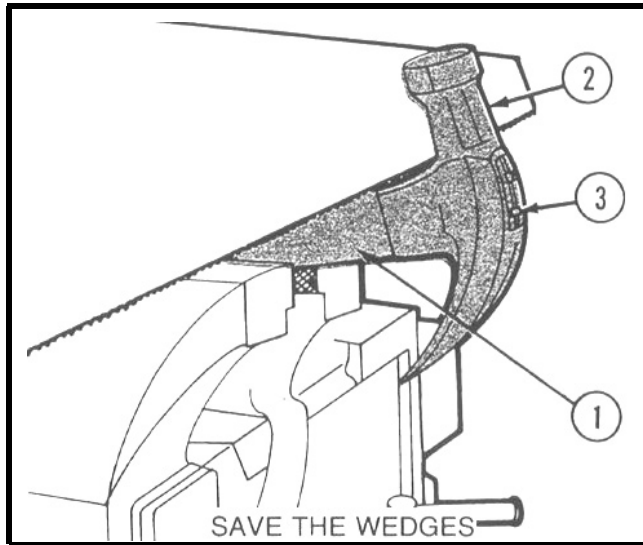


The above items are the basic materials required to replace the handle on a typical carpenter's hammer.

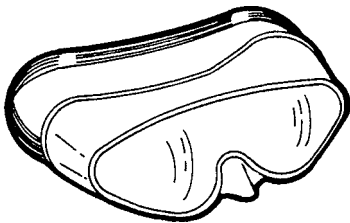
REPLACING THE HANDLE - Continued

REMOVING OLD HAMMER HANDLE

- 1 If the handle is split or broken, remove it from the head.
- 2 If the handle is too tight to pull loose from the head, proceed as follows:
Place hammer in vise.
Saw off handle (1) close to head (2).
Drive the remaining handle out through the large end of the head (3) using drift pin. Save the wedges.

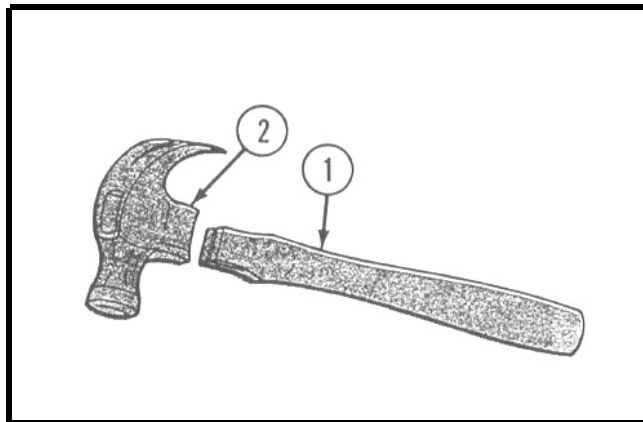


INSTALLATION OF NEW HANDLE

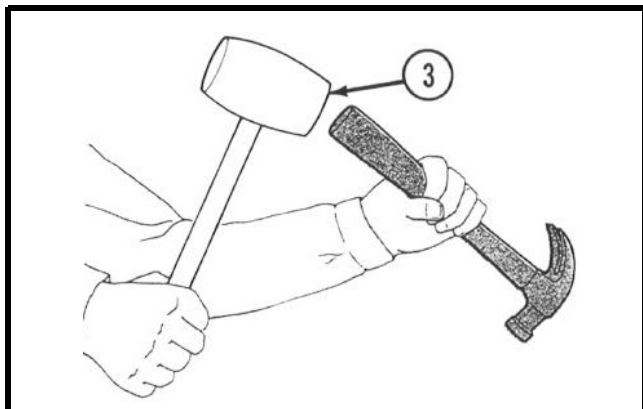
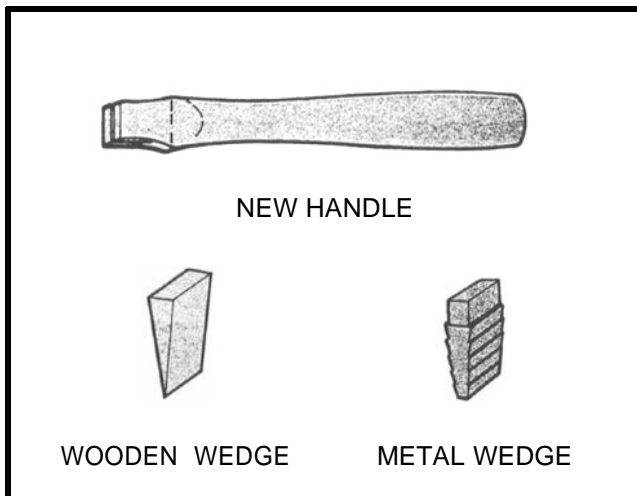


WARNING

WEAR EYE PROTECTION AND WATCH THE FINGERS.



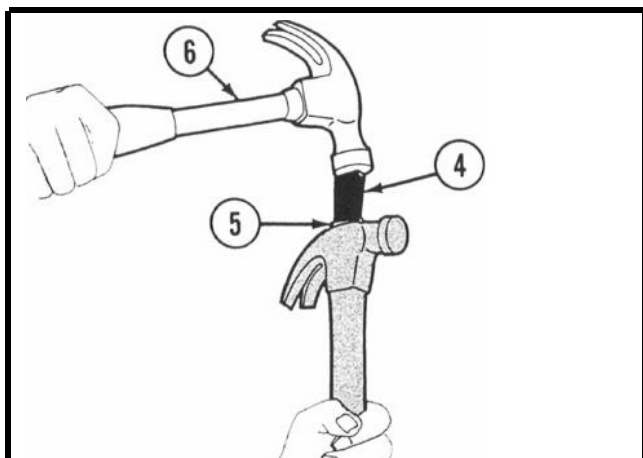
- 2 Insert handle (1) in head (2).



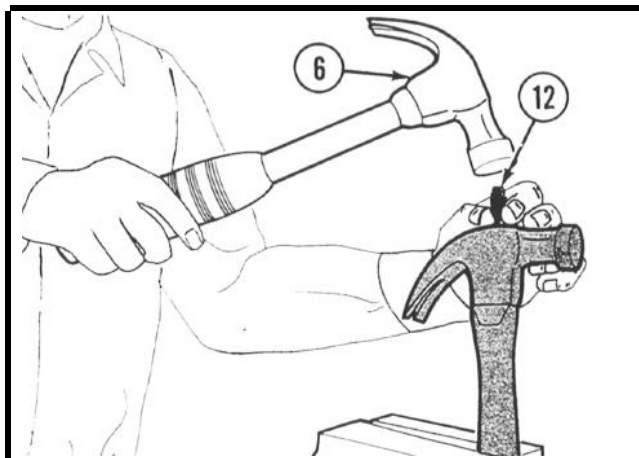
- 3 Seat handle in head with a rubber mallet (3).

- 1 Obtain new handle and wedges.

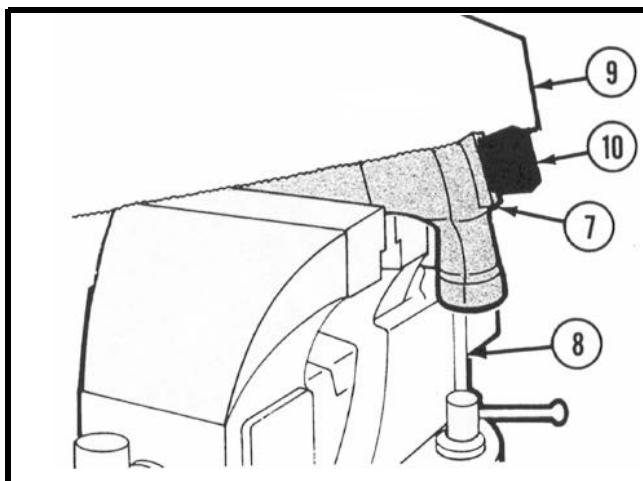
REPLACING THE HANDLE - Continued



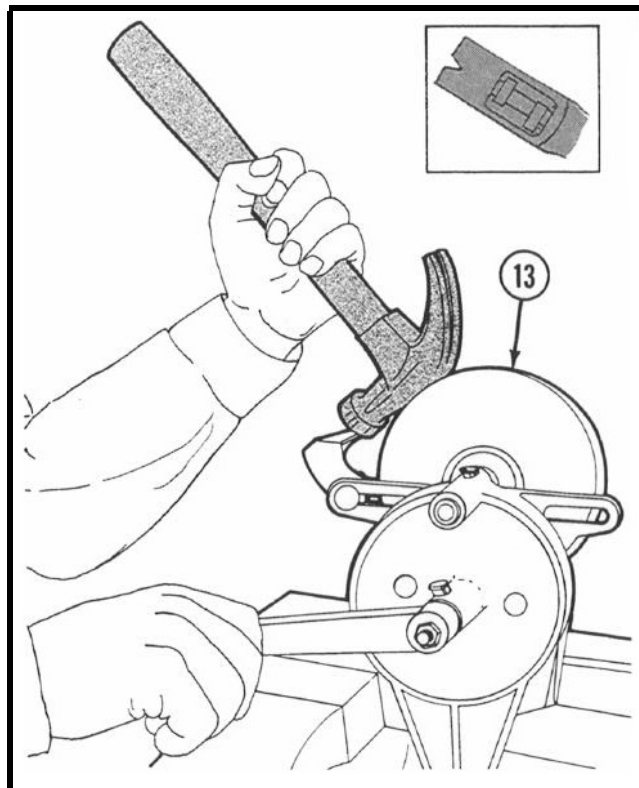
4 Drive wooden wedge (4) in handle face (5) with hammer (6).



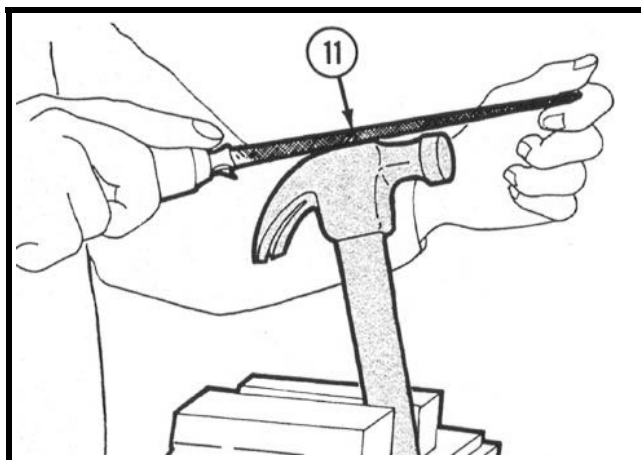
7 Select metal wedge (12) and drive into wooden wedge with hammer (6):



5 Place hammer (7) in vise (8). Using handsaw (9) remove projecting end of wedge (10).



8 Remove excess portion of wedge using a bench grinder (13). Check handle. If its tight, the task is complete.
If handle is loose, repeat procedure.



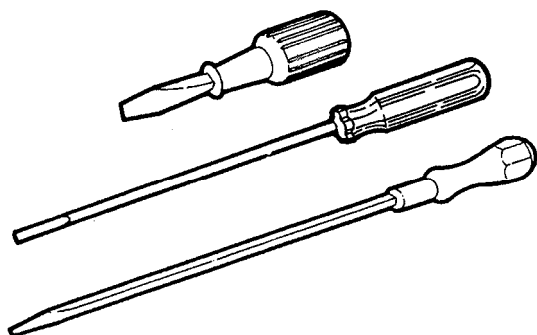
6 Remove excess portion of wedge using wood rasp (11).

Chapter 22 SCREWDRIVERS

HOW TO CHOOSE AND USE THEM

The "Types and Uses" section provides you with a list of some of the types of screwdrivers. These pages should help you select the right screwdriver to do the job.

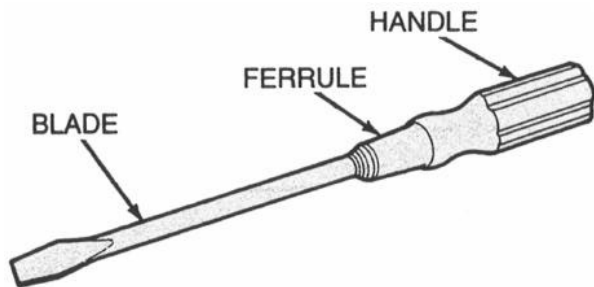
The "Using" section tells you how to use the screwdriver to perform the desired function. The "Care" procedures tell you how to care for the items.



INDEX

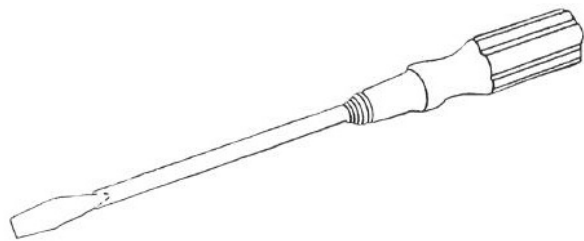
<i>Item</i>	<i>Page</i>
TYPES AND USES	22-2
Common screwdrivers	22-2
Cross-tip screwdrivers	22-3
Cross-point screwdrivers	22-3
Clutch head screwdrivers	22-3
Off set screwdrivers	22-3
Ratchet screwdrivers	22-4
Screwdriver bits	22-4
Jeweler's screwdrivers	22-4
Flexible screwdrivers	22-4
Radio and pocket screwdrivers	22-5
Screw starter or gimlet	22-5
SAFETY	22-5
USING	22-5
CARE	22-8

TYPES AND USES

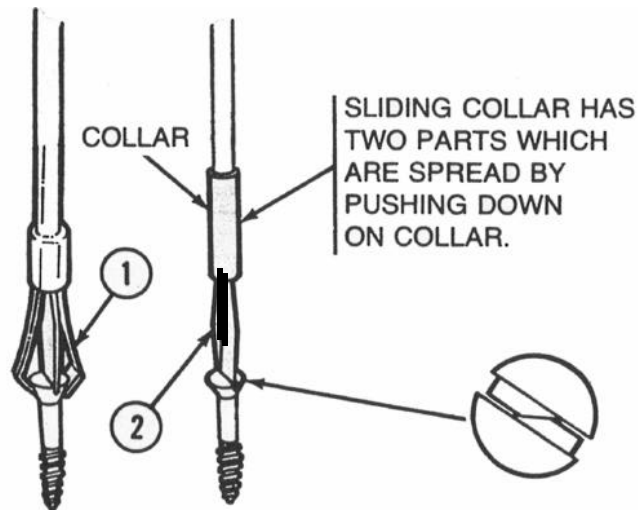


Screwdrivers are available in many different shapes, sizes, and materials. Screwdrivers are used for driving or removing screws or bolts with slotted, recessed, or special heads.

COMMON SCREWDRIVERS



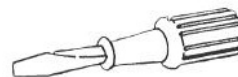
The common screwdriver has a round steel blade with a wood or plastic handle, usually fluted for a good grip. Integral blade screwdrivers are used for heavy-duty work.



Some common screwdrivers have a screw-holding feature. These are used for working in close quarters, overhead, and hard to reach places. The two most common types are the clip (1) and sliding collar (2). After the screw has been firmly started, switch to a conventional screwdriver to complete the job.

NOTE

Do not use sliding-cover, split-type screwdrivers for final tightening of screws.



Close quarter or stubby common screwdrivers are used for working in close quarters where conventional screwdrivers will not fit.



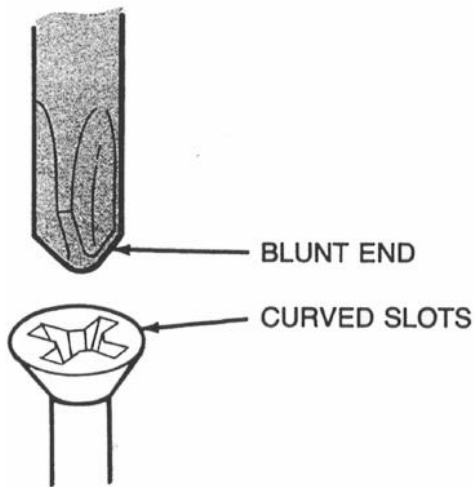
Common cabinet screwdrivers have a thin, round blade and are used to reach and drive or remove screws in deep, counterbored holes.



Other common heavy-duty screwdrivers have square blades so a wrench can be used to turn them.

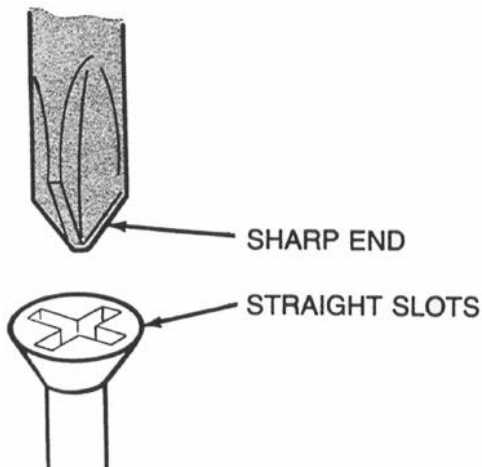
TYPES AND USES - Continued

CROSS-TIP SCREWDRIVERS



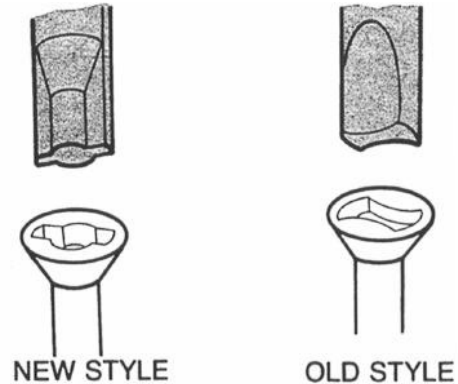
The tip of a cross-tip screwdriver is shaped like a cross so that it fits into cross-tip screws. Cross-tip screws have two slots which cross at the center. These screwdrivers are made with four different sized tips. Cross-tip screwdrivers also have different length blades ranging from 1 inch to 8 inches.

CROSS-POINT SCREWDRIVERS



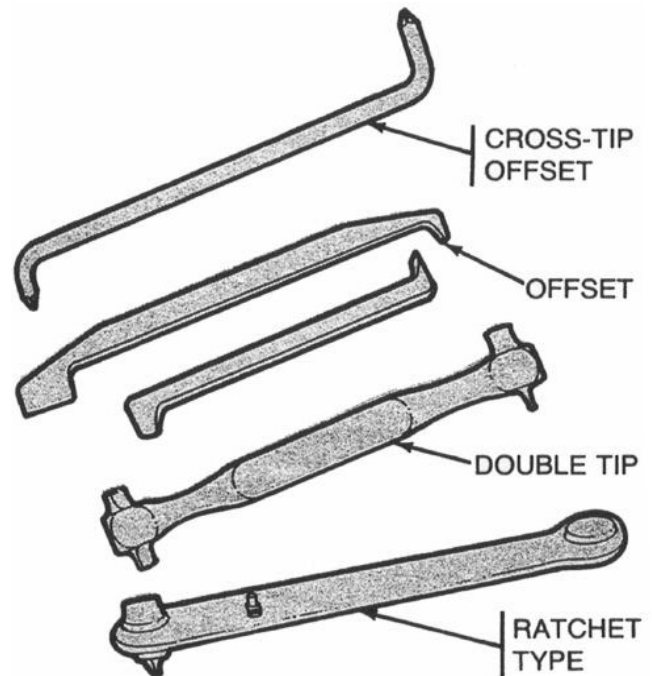
Cross-point screwdrivers are similar to the cross-tip. The cross-point slots meet at an exact right angle at their intersection. These screwdrivers are issued in 3 to 8-inch sizes.

CLUTCH HEAD SCREWDRIVERS



Clutch head screwdrivers are used to drive clutchbit screws. These screws have recessed heads and are commonly called butterfly or figure-eight screws. There are two styles of clutch heads, old style and new style.

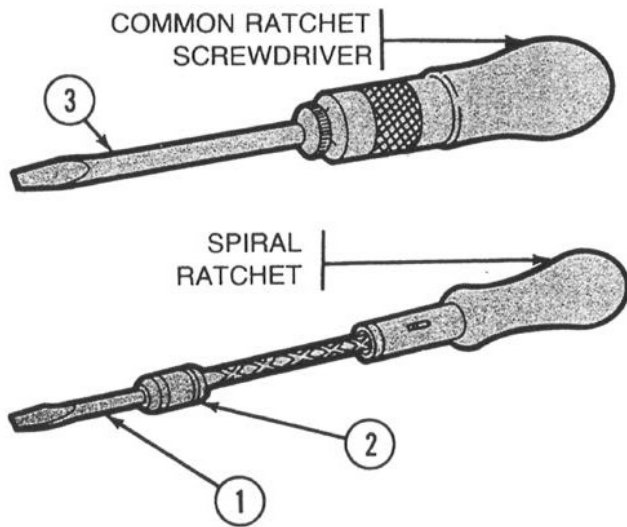
OFFSET SCREWDRIVERS



Offset screwdrivers are used to drive or remove screws that cannot be lined up straight with common screwdrivers, or are located in tight corners. Some offset screwdrivers are made with two blades, one of a different size at each end. Others are ratchet-type offset, which are reversible for working in tight spots and allow the screw to be driven without having to remove the tip from the screw head. A double-tip offset screwdriver has four blades.

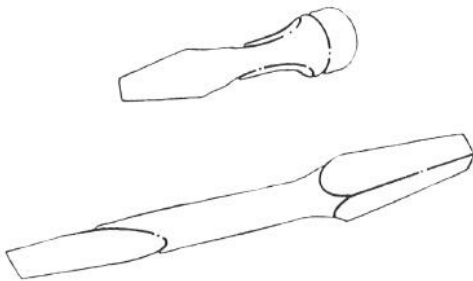
TYPES AND USES - Continued

RATCHET SCREWDRIVERS



Ratchet screwdrivers are used to drive or remove small screws rapidly. The spiral ratchet screwdriver automatically drives or removes screws. It can be adjusted to turn left, right, or locked to act as a common screwdriver. Some spiral ratchets have a spring in the handle which automatically returns the handle for the next stroke. Another style of ratchet screwdriver has a knurled collar for rotating the blade with your fingers. The spiral type has separate blades (1) that are inserted in the chuck (2). The common ratchet screwdriver has one integral blade (3).

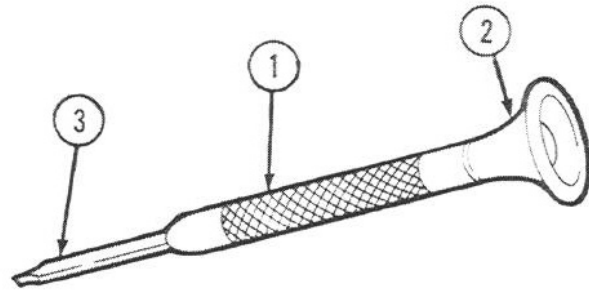
SCREWDRIVER BITS



A screwdriver bit is a screwdriver blade with a square, hex, or notched shank so that it can be used with other tools:

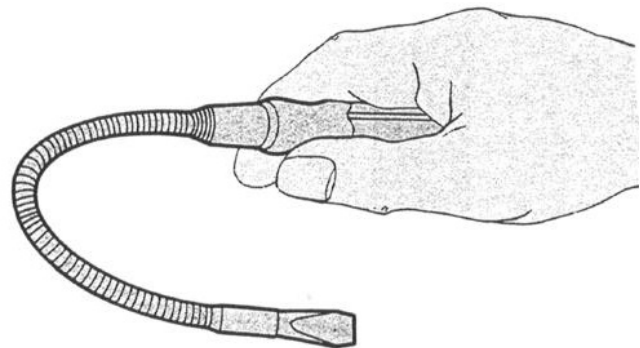
- Breast drill
- Ratchet bit brace
- Socket wrench handle

JEWELER'S SCREWDRIVERS



Jeweler's screwdrivers are made for driving and removing small size screws. They usually have knurled handles (1), and a swivel end finger rest plate (2). The tips (3) range from 0.025 inch to 0.1406 inch wide. Some jeweler's screwdrivers have removable blades.

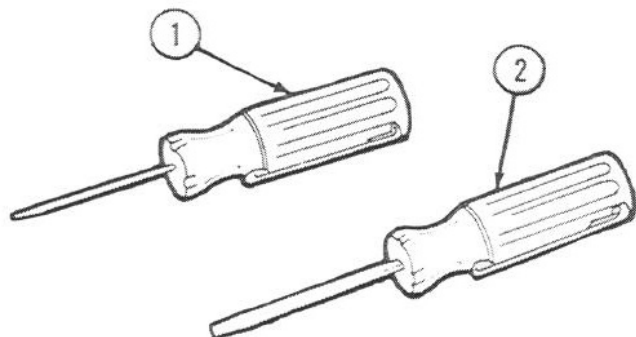
FLEXIBLE SCREWDRIVERS



A flexible screwdriver has a spring steel blade which bends, allowing the user to get around flanges, shoulders, and other parts to drive and remove screws.

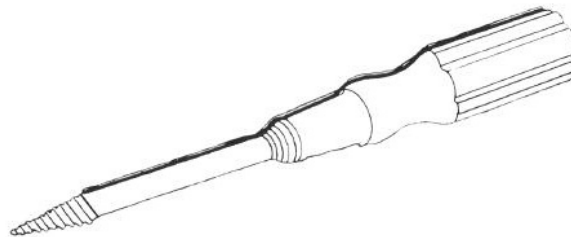
TYPES AND USES - Continued

RADIO AND POCKET SCREWDRIVERS



A radio screwdriver (1) has a round blade that is 1-1/2 inches long. Its use is restricted to very small screws generally used in the construction of radio chassis. The pocket screwdriver (2) is also small, with a square blade that is 1-3/4 inches long. Both have pocket clips.

SCREW STARTER OR GIMLET



A screw starter or gimlet has a threaded tip. It is used to make a pilot hole in wood for wood screws.

SAFETY

WARNING

HANDLE THE SCREWDRIVER CAREFULLY. A GREASY HANDLE COULD CAUSE AN ACCIDENT.

DO NOT CARRY A SCREWDRIVER IN YOUR POCKET UNLESS IT HAS A POCKET CLIP.

DO NOT USE A SCREWDRIVER FOR PRYING, PUNCHING, CHISELING, SCORING, OR SCRAPING.

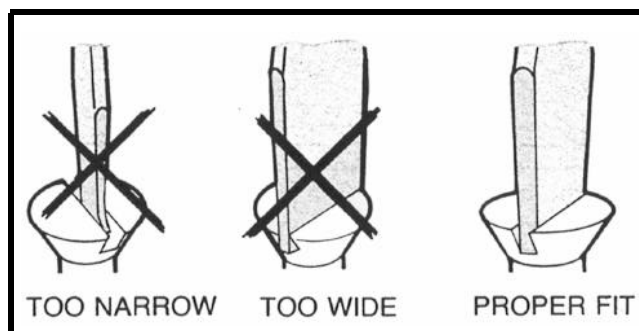
DO NOT USE A SCREWDRIVER NEAR A LIVE WIRE, TO CHECK A STORAGE BATTERY, OR TO DETERMINE IF AN ELECTRICAL CIRCUIT IS LIVE.

DO NOT HOLD THE WORK IN ONE HAND WHILE USING THE SCREWDRIVER WITH THE OTHER. IF THE SCREWDRIVER SLIPS OUT OF THE SLOT, YOU WILL BE MOST LIKELY TO PUT A GASH IN YOUR HAND.

USING SCREWDRIVERS

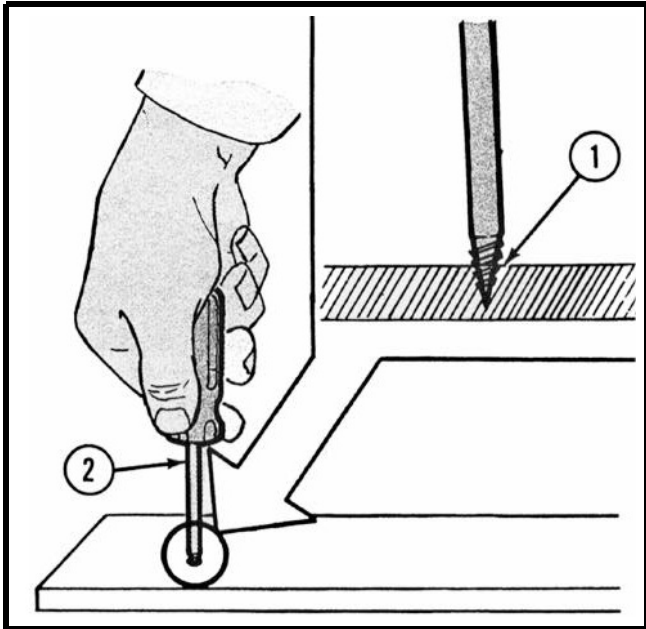
NOTE

The proper way to select and use a screwdriver is to always match the size of the screwdriver to the job and always match the type of screwdriver to the head of the screw.



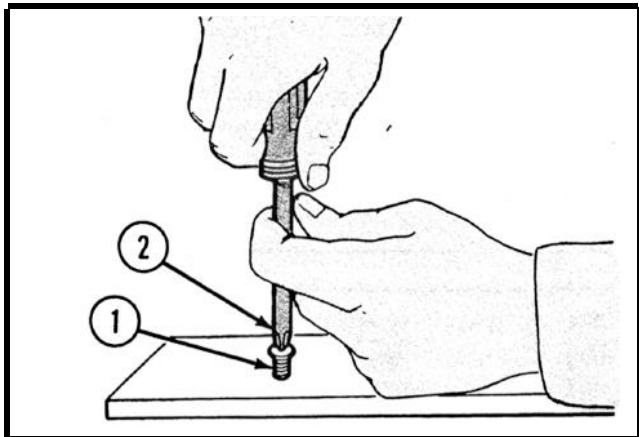
USING SCREWDRIVERS - Continued

PREPARING THE WORK SURFACE



- 1 Before attempting to drive a screw into wood, you first make a pilot hole (1) using a screw starter (gimlet) (2), an awl, a nail, or a drill.
- 2 Before attempting to drive a screw into sheet metal you should make a pilot hole using a drill. However, lightweight sheet metal can be pierced with a nail or punch.

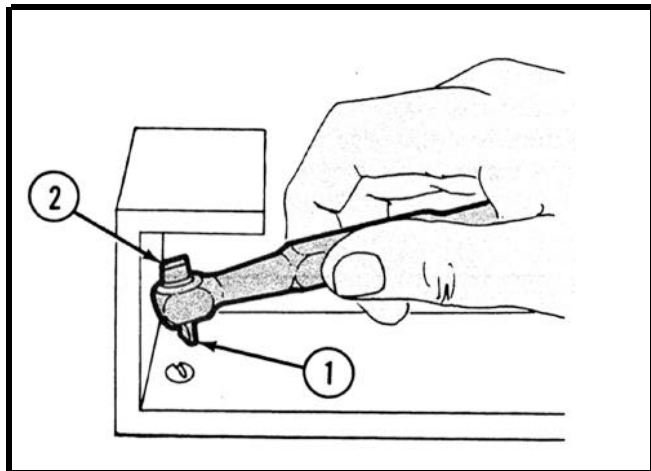
USING A SCREWDRIVER



- 1 Insert the screw (1) in the pilot hole. Insert the screwdriver tip (2) in the screw slot of the screw as shown.
- 2 Keep the screwdriver in line with the screw as shown. You may want to use your other hand to keep the blade steady.

- 3 Turn clockwise to screw in, counterclockwise to unscrew.
- 4 Do not use a pliers to turn the screwdriver when driving or removing screws that are hard to turn. For hard-to-turn screws, use a square blade screwdriver designed for heavy-duty work and a wrench which properly fits the blade.

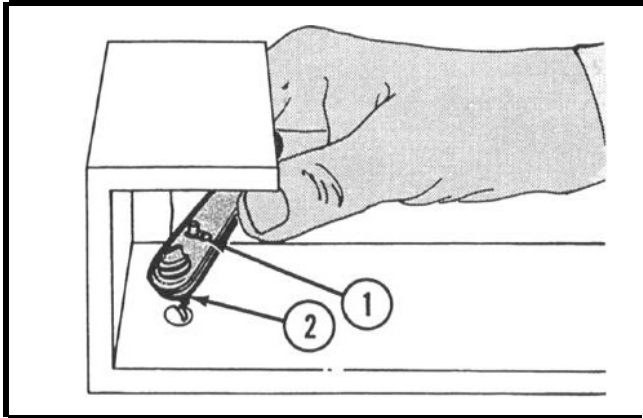
USING AN OFFSET SCREWDRIVER



- 1 Select the correct style and tip size for the screw being used.
- 2 Insert the tip (1) in the screw slot.
- 3 In tight places you may have to alternate tips (1 and 2) to complete turning the screw.

USING SCREWDRIVERS - Continued

USING AN OFFSET RATCHET SCREWDRIVER



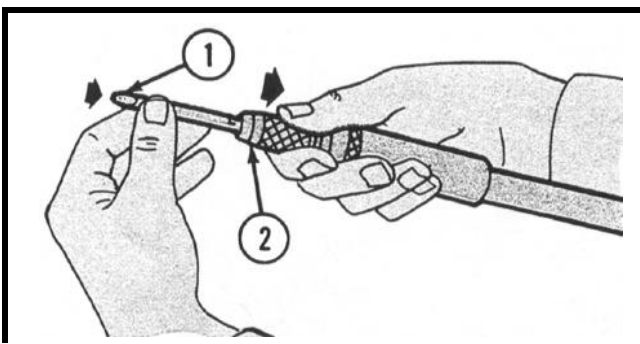
- 1 Select the correct size tip for the screw head.

Pull the lever to the right or left, for installation or removal of the screw. This allows the screw to be driven without having to remove the tip from the screw head.

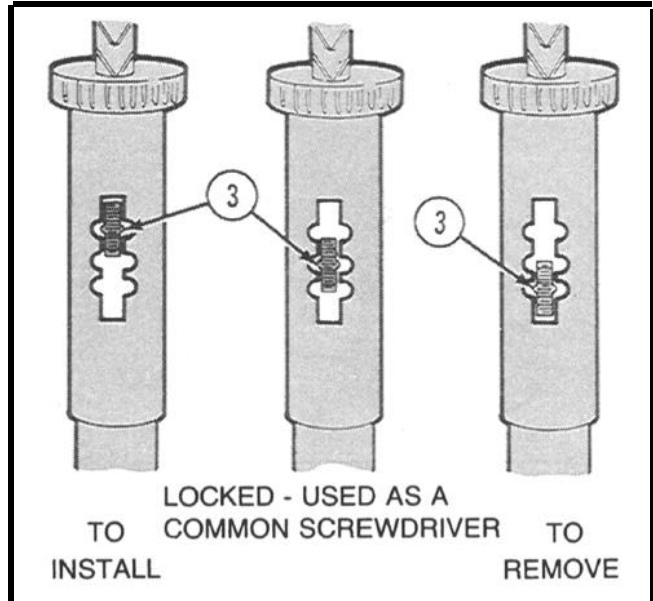
USING A SPIRAL RATCHET SCREWDRIVER

NOTE

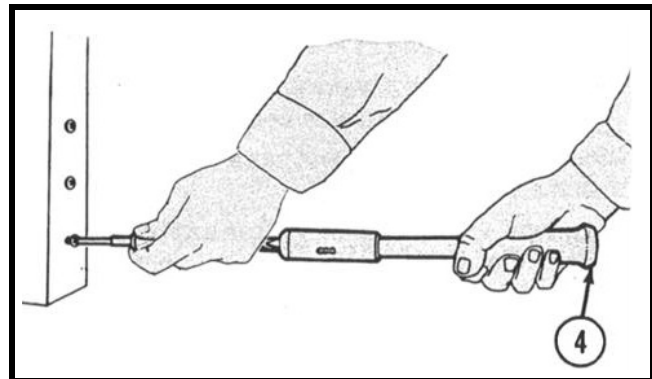
These screwdrivers come in several styles. Some have the different size bits stored in the handle.



- 1 Select the correct size tip for the screw head being used.
- 2 Install tip (1) in screwdriver by pulling back on metal shell (2). When tip is seated, release the shell to lock it into place.



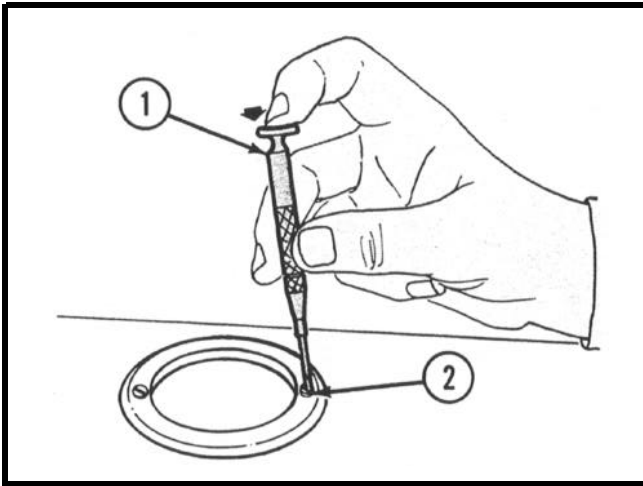
- 3 Set selector lever (3) as shown.



- 4 Insert the tip in the screw slot. Hold the screwdriver blade as shown. Move handle (4) back and forth to install or remove a screw.

USING SCREWDRIVERS - Continued

USING A JEWELER'S SCREWDRIVER



- 1 Hold screwdriver as shown, with forefinger on rotating head (1).

CAUTION

Be sure the screwdriver fits the screw. If the screw is too large for the screwdriver tip, the tip will be damaged.

- 2 Insert the tip of the screwdriver in the screw slot (2). Turn the screwdriver, between the thumb and middle finger, clockwise to screw in, counterclockwise to unscrew.

CARE OF SCREWDRIVERS

1. When a screwdriver becomes nicked, or the edges become rounded, or when other damage occurs so that it does not fit a screw slot, it can be reground or filed. The sides must be parallel to keep the tool from lifting from the screw slot and the tip must be square, at right angles to the sides and to the blade.
2. Do not expose a screwdriver to excessive heat, as it may reduce the hardness of the blade.
3. Replace a screwdriver that has a worn or damaged handle or rounded tip.
4. After use, wipe screwdriver clean and place in rack or tool box. For long-term storage, apply rust-preventive compound to all metal surfaces and store in a dry place.
5. Screwdrivers used in the shop are best stored in a rack. This way the proper selection of the right screwdriver can be quickly made and fewer injuries will result.
6. A poor fitting screwdriver will damage the screw head, slip off the screw, and cause personal injury. Use a screwdriver that has parallel sides and exactly fits the screw slot.
7. Never pound on a screwdriver with a hammer. Do not use a screwdriver as a chisel.

TIP SIDES ARE
GROUND PARALLEL



RIGHT

TIP SIDES ARE
GROUND TO SHAPE OF
GRINDING WHEEL



RIGHT

TIP SIDES ARE
GROUND AT AN
ANGLE



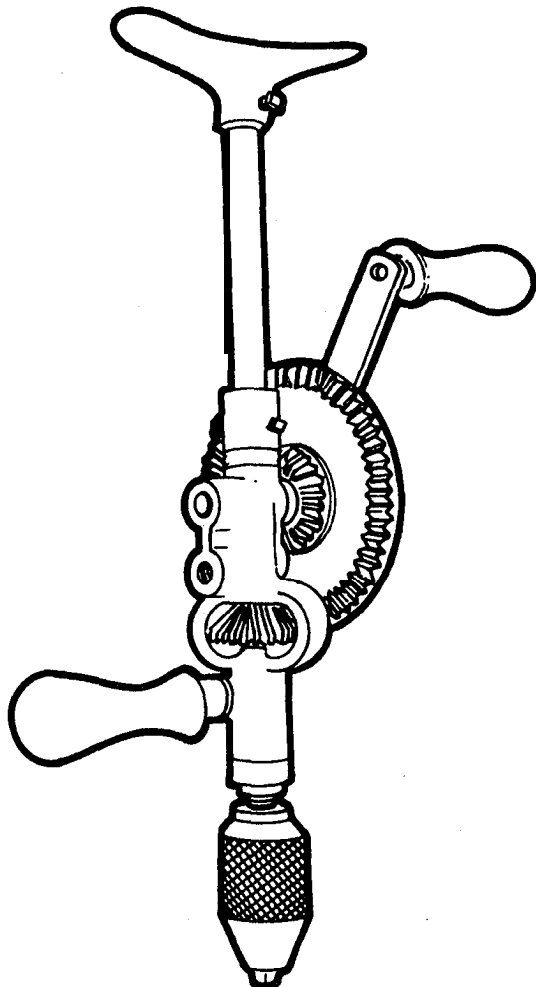
WRONG

Chapter 23 MANUAL DRILLS

HOW TO CHOOSE AND USE THEM

The "Types and Uses" section provides you with a list of some of the types of drills. These pages should help you select the right drill to do the job.

The "Using" section tells you how to use the drill to perform the desired function. The "Care" procedures tell you how to care for the items.

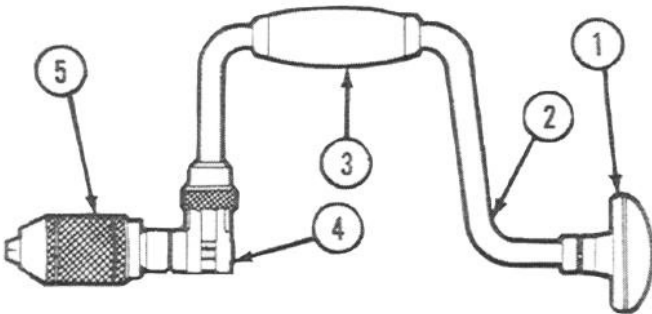


INDEX

<i>Item</i>	<i>Page</i>
TYPES AND USES	23-2
Brace drill	23-2
Breast drill	23-2
Hand drill	23-2
USING	23-3
CARE	23-4

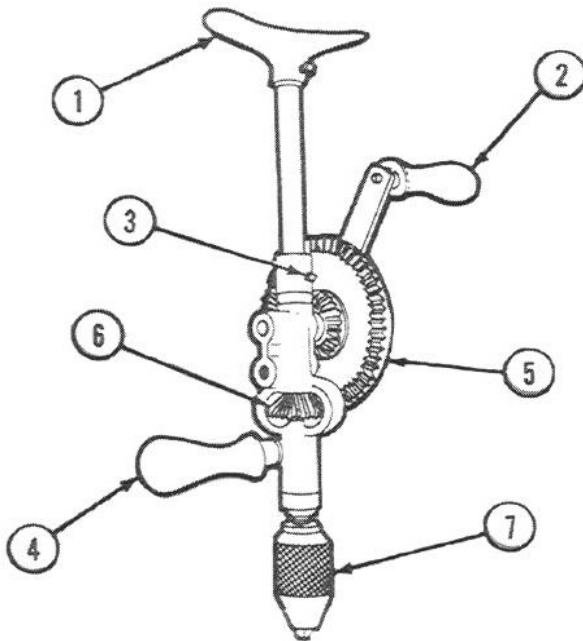
TYPES AND USES

BRACE DRILL



The brace drill is made up of the following parts: head (1), crank (2), crank handle (3), ratchet mechanism (4), and chuck (5). The brace is used to drill holes in wood and with a screwdriver bit, remove and install screws.

BREAST DRILL

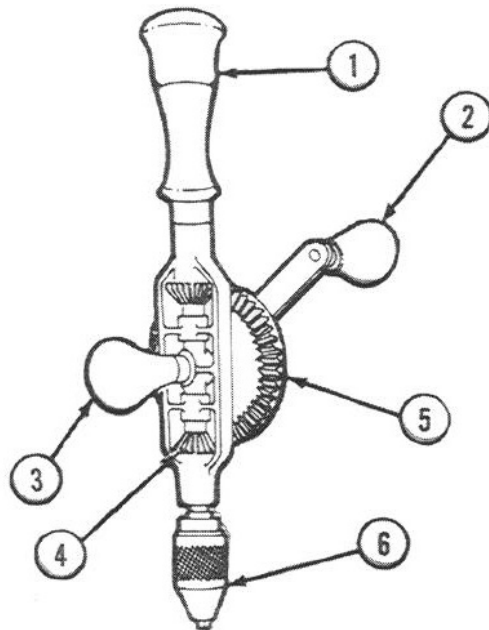


The breast drill is made up of the following parts: breast plate. (1), drive handle (2), speed shifter (3), side handle (4), speed gears (5), pinion gears (6), and chuck (7). The adjustable breast plate provides a base for the user to lean against while using the drill. The speed shifter provides a means of selecting high speed or low speed. This allows the operator to start a hole at slow speed, 1:1 ratio, preventing marring of the surface, then shifting to high speed, 3-1/2:1 ratio, to finish drilling

the hole. To change from low speed to high speed, move the drive handle and speed gears from the bottom hole to the top hole. High speed position is illustrated. Some drills have a slot instead of two holes.

The side handle provides a way to steady the drill and insure that the bit is boring a straight hole. The speed gears determine the speed at which the drill rotates. They are connected through linkage to the pinion gears. The pinion gears turn the chuck and drill. The breast drill is used to drill holes in wood, plastic, concrete, and small gage sheet metal.

HAND DRILL

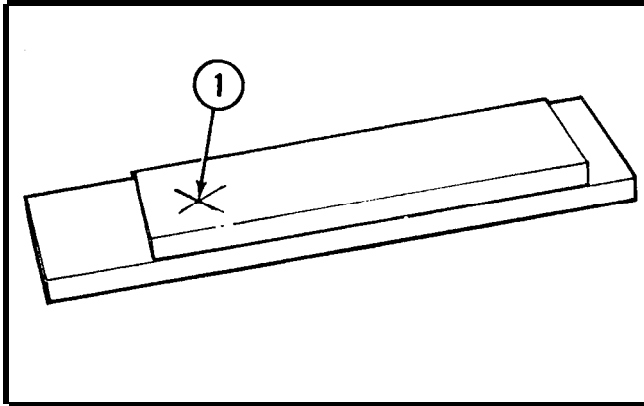


The hand drill is made up of the following parts: handle (1), drive handle (2), side handle (3) pinion (4), gear wheel (5) and chuck (6). The handle provides a storage area for drill bits. The side handle may be used to steady the drill when drilling in soft wood. The pinion turns the chuck and drill. Through mechanical linkage, the gear wheel transfers the driving force from the drive handle to the chuck. Hand drills are used to drill holes in wood and sheet metal.

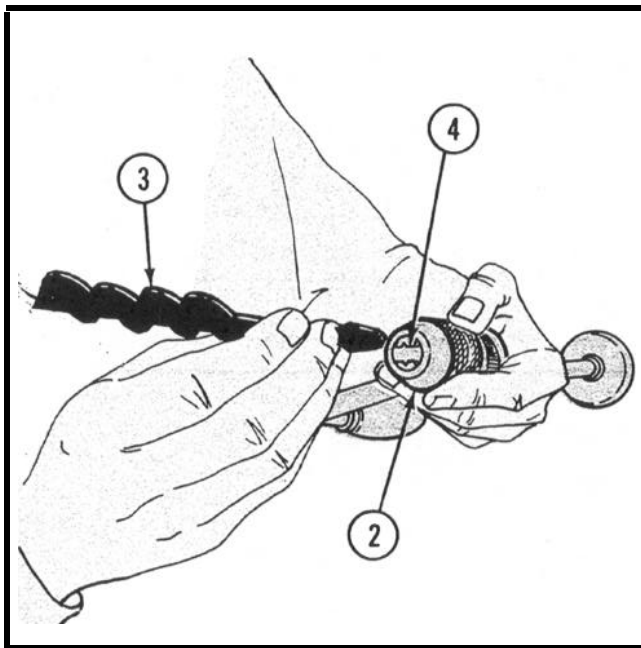
USING A BRACE DRILL

NOTE

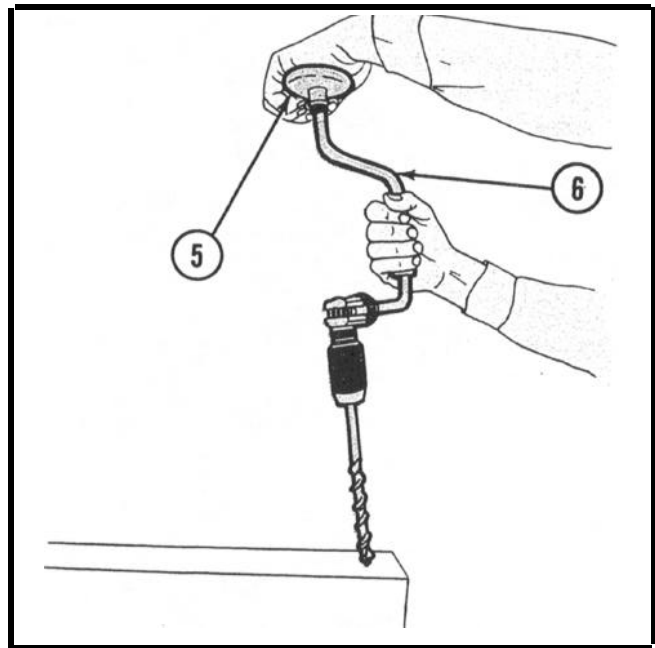
The following procedure is for a bit of a fixed size from 1/4 inch up to a 1 inch maximum.



- 1 Mark (1) with a pencil where hole is to be drilled.



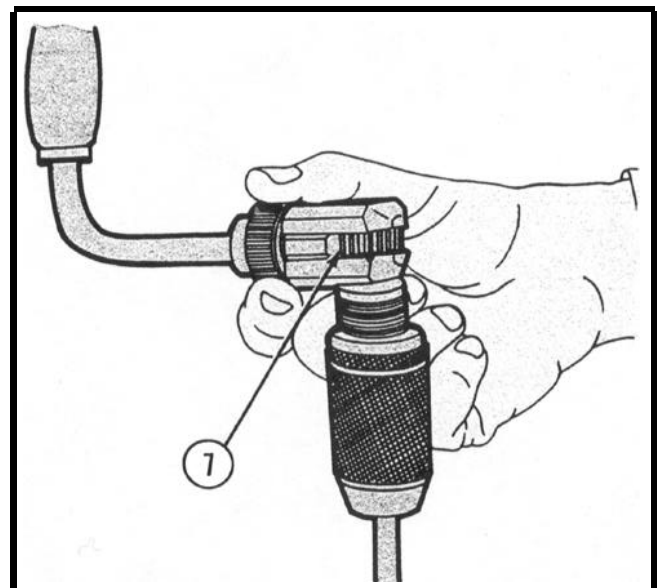
- 2 Open chuck (2) and insert bit (3) between jaws (4). Tighten chuck (2), securing bit (3).



- 3 Center bit over pencil mark. Push down on head (5) and turn crank (6) until bit goes through the board.

NOTE

Ratchet mechanism (7) may have to be set.

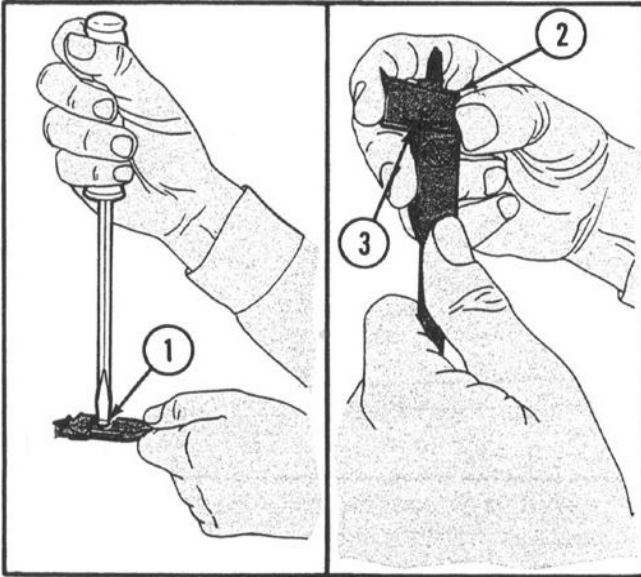


- 4 Reverse the ratchet mechanism (7), then turn crank and pull up on head to remove bit.
- 5 Open chuck and remove bit. Close chuck.

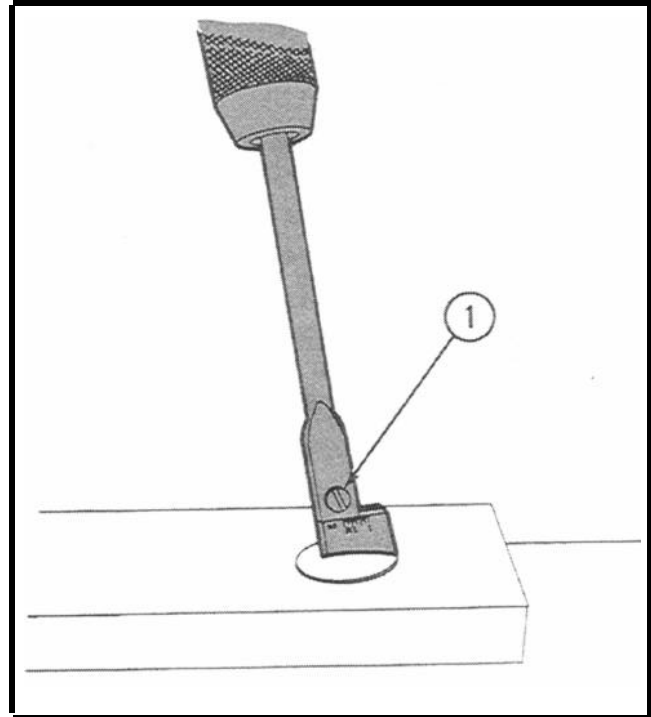
USING AN EXPANSIVE BIT

NOTE

Expansive bits are available in two sizes, one from 5/8 inch to 1-3/4 inches and the other from 7/8 to 3 inches.



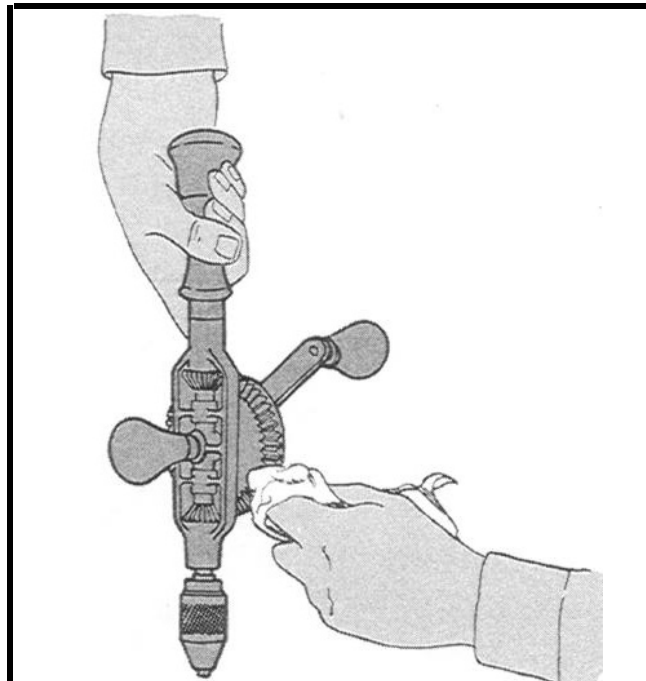
1. Loosen retaining screw (1). Slide adjustable blade (2) to the desired width using built-in scale (3) or a 6-inch machinist's rule.



2. Tighten retaining screw (1) and refer to "USING A BRACE" steps 1 through 5, page 23-3.

CARE OF MANUAL DRILLS

Apply a light coat of oil to all metal surfaces. With a rag, clean gear teeth of dirt, wood and metal shavings and apply a light coat of oil. Hang manual drills on a rack or store in a safe, dry place.

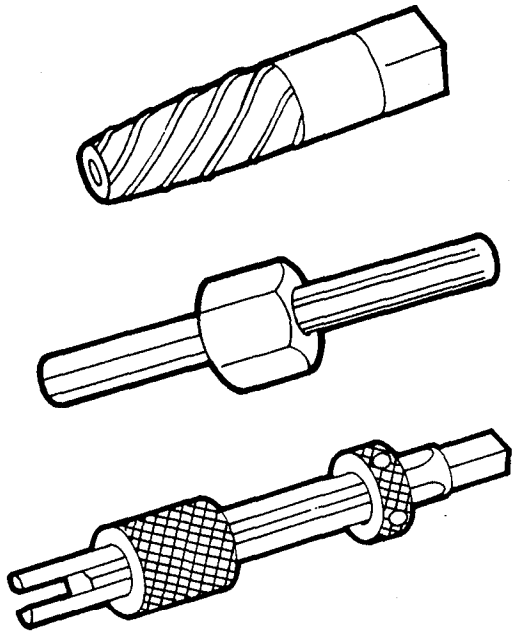


Chapter 24 SCREW AND TAP EXTRACTORS

HOW TO CHOOSE AND USE THEM

The "Types and Uses" section provides you with a list of some of the types of extractors. These pages should help you select the right extractor to do the job.

The "Using" section tells you how to use the extractor to perform the desired function. The "Care" procedures tell you how to care for the items.



INDEX

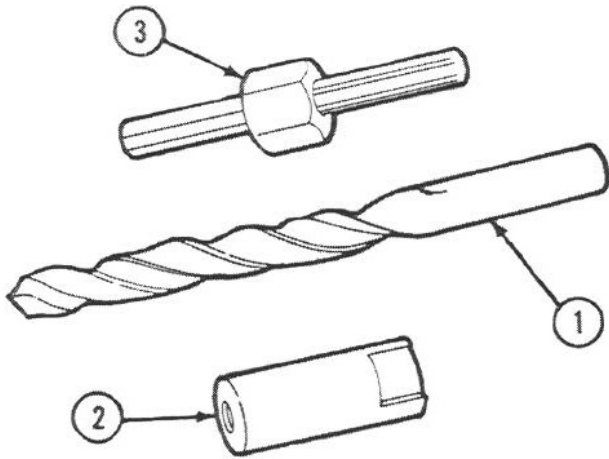
<i>Item</i>	<i>Page</i>
TYPES AND USES	24-2
Screw extractors	24-2
Tap extractor	24-2
USING	24-3
CARE	24-3

TYPES AND USES

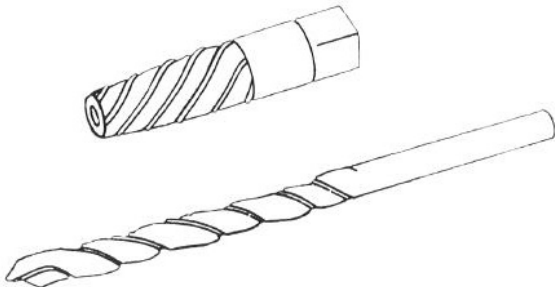
SCREW EXTRACTORS

Screw extractors are used to remove broken screws without damaging the threads or surrounding material.

There are two basic types of screw extractors, the straight-flute type and spiral-tapered type.

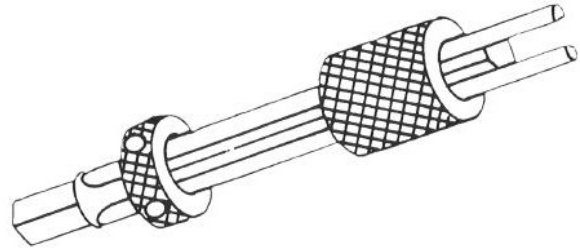


The straight-flute type requires the following tools to drill a pilot hole in the screw: a twist drill (1), a drill guide (2), and a turn nut (3).



The spiral-tapered type requires a twist drill for drilling a pilot hole.

TAP EXTRACTOR

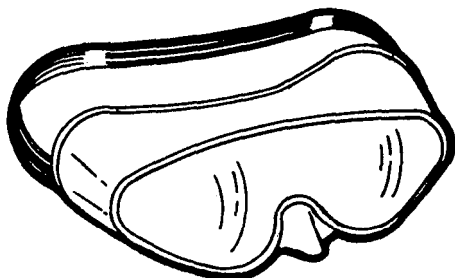


The tap extractor is usually of the flute type and requires the use of a wrench to turn the tap. It is used for removing taps with no external area.

USING A SPIRAL TAPERED SCREW EXTRACTOR

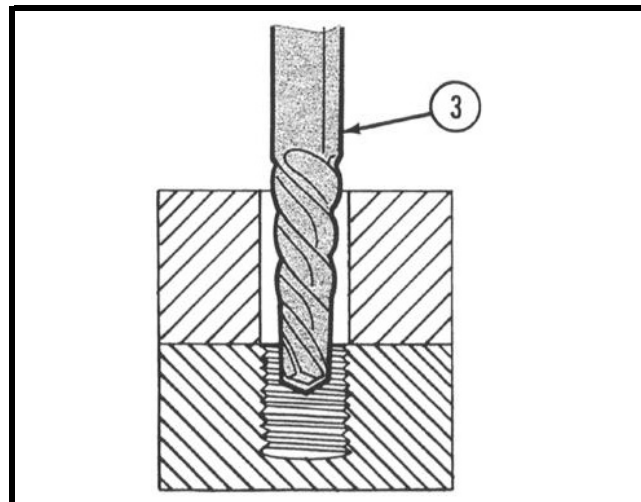
NOTE

The following task is not the only use of a screw extractor.

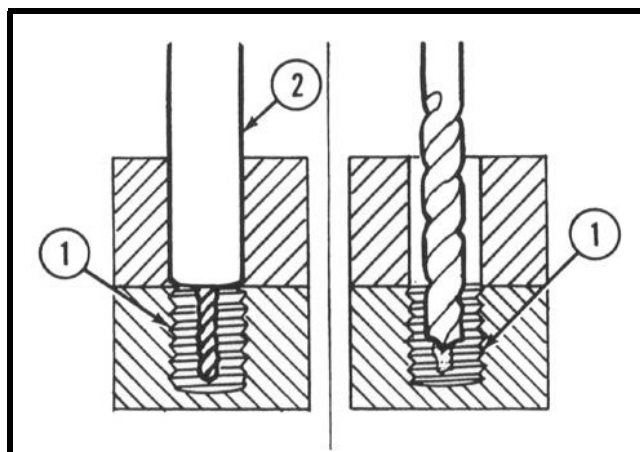


WARNING

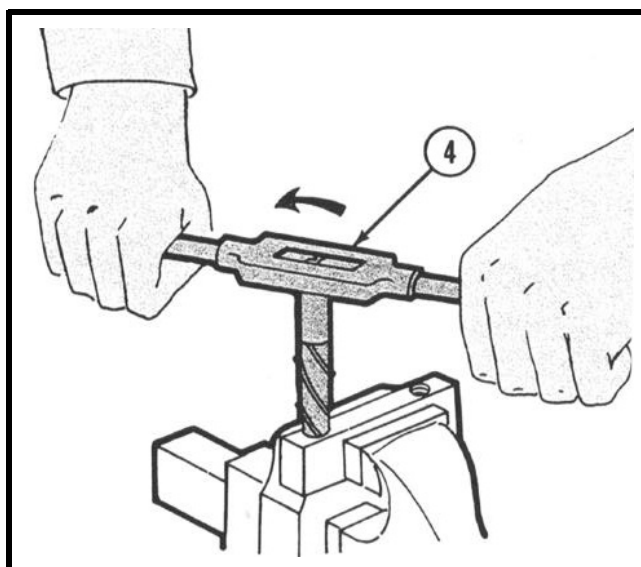
WEAR PROPER EYE PROTECTION.



Insert extractor (3) in the drilled hole.



- 1 Drill a hole in the broken screw (1). Use a drill size guide (2) if available. If one is not available, drill the hole slightly smaller than the diameter of the extractor. (When drilling larger screws it may be necessary to drill a small pilot hole first, then a larger hole).



Remove the broken screw by turning the extractor counterclockwise. The extractor may be turned using a tap wrench or open end wrench (4).

CARE OF EXTRACTORS

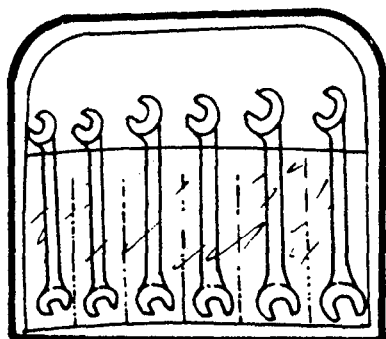
1. Keep extractors clean and lightly oiled.
2. Store in case provided or wrap individually to protect the extracting edges.

Chapter 25 WRENCHES

HOW TO CHOOSE AND USE THEM

The "Types and Uses" section provides you with a list of some of the types of wrenches. These pages should help you select the right wrench to do the job.

The "Using" section tells you how to use the wrench to perform the desired function, The "Care" procedures tell you how to care for the items.



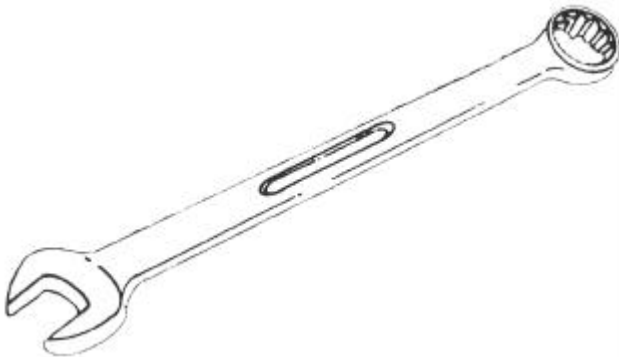
INDEX

<i>Item</i>	<i>Page</i>
TYPES AND USES	25-2
Open-end wrenches	25-2
Box wrenches	25-3
Combination wrenches	25-4
Socket wrenches	25-5
Socket wrench handles, extensions and adapters	25-6
Special purpose socket wrenches	25-7
Crowfoot wrench	25-9
Hex key wrench	25-9
Plug wrenches	25-9
Adjustable open-end wrench	25-10
Clamp pliers	25-10
Monkey and auto wrenches	25-10
Pipe wrenches	25-11
Torque wrenches	25-11
Spanner wrenches	25-12
SAFETY	25-13
USING	25-14
CARE	25-18

TYPES AND USES

A wrench is a tool specially designed to tighten or loosen nuts, bolts, studs, and pipes. Wrenches are forged from steel alloy to prevent breakage. There are many different types of wrenches. Each type has its own use. By using the proper wrench for the task to be done, you will not break the wrench, damage the equipment, or cause personal injury. The following section is intended to give you information on the different wrench types.

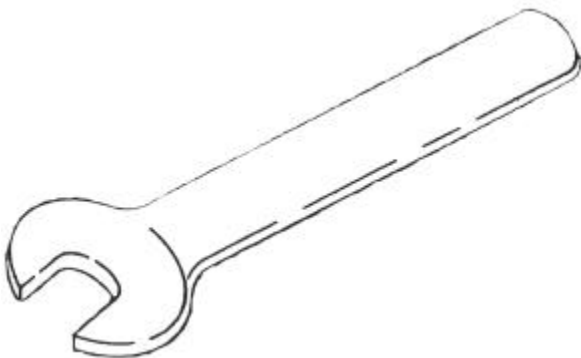
OPEN-END WRENCHES



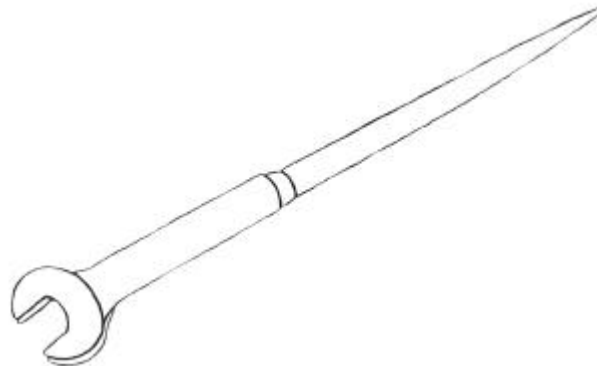
All open-end wrenches have open jaws on one or both ends of the wrench. Most jaw openings are offset from the shank portion of the wrench by 15 degrees. The wrench length is determined by the size of the jaw opening. Some of the more common types of open-end wrenches and their uses are listed below.



The engineer's double open-end wrench has different size openings on each end. This type of an arrangement permits a smaller number of wrenches to complete a set. The engineer's double open-end wrench is also used to reach behind or below blind surfaces.



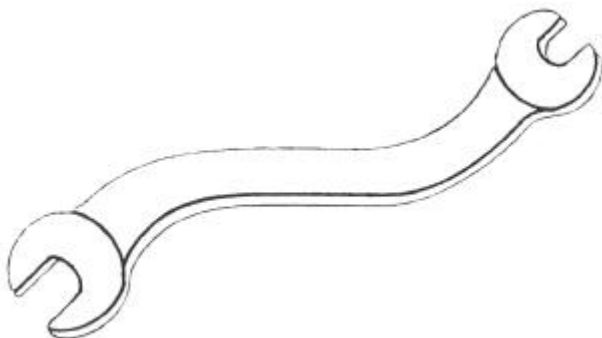
The engineer's single open-end wrench has a long smooth shank providing the user with a better gripping surface. It is used to reach behind or below blind surfaces.



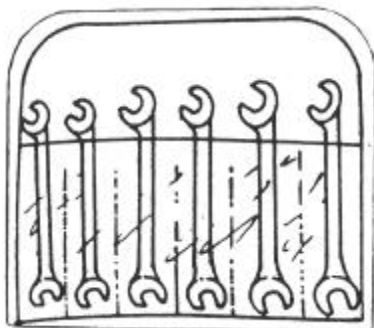
The construction wrench combines the open-end jaw with a long tapered shank providing a wrench/alignment punch combination. The construction wrench is used in the building trades and on heavy objects which require alignment before fastening.

TYPES AND USES - Continued

OPEN END WRENCHES (Cont)

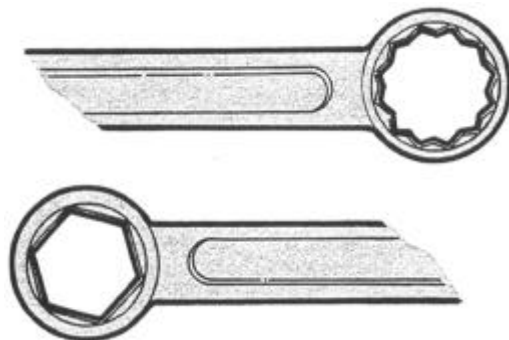


The S-Shape wrench has a 22-1/2 degree offset. It is used to reach around obstructing objects.



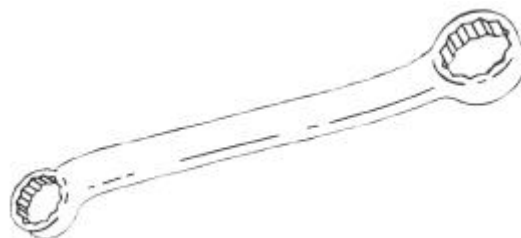
Ignition wrenches have the same size jaw opening on both ends. However, one end of this wrench is offset 15 degrees and the other end is offset 60 degrees. Ignition wrenches are smaller in size, as they are used to remove components of automotive ignition systems.

BOX WRENCHES



A box wrench surrounds the nut, bolt head, or stud on all sides. It is available with both 6-point and 12-point openings. The 12-point opening is more common, as it may be used on both square and hexagonal bolt heads. Box wrench openings are offset from the shank by 15 degrees. A box wrench should be used whenever possible, as it provides the best protection to both the user and the equipment. The major disadvantage of the box wrench is that there must be enough clearance above and around the bolt head to place the wrench over the bolt head.

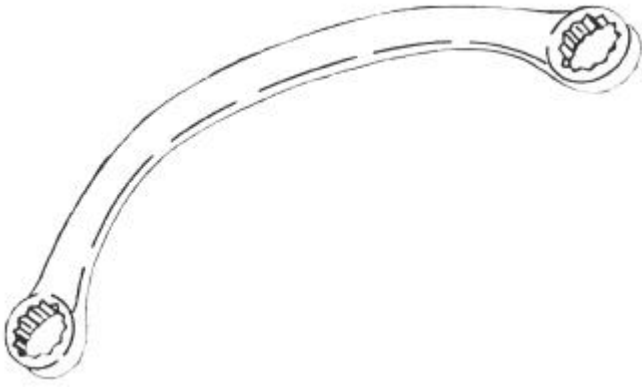
The length of the box wrench depends upon the size of the opening. Some of the more common types of box wrenches and their uses are shown below and on page 25-4.



The most common box wrench is the double offset box wrench. It comes with a different size opening at each end. The double offset wrench is used to remove normal nuts and bolts.

TYPES AND USES - Continued

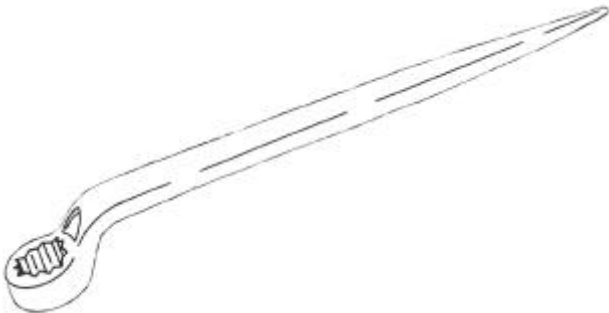
BOX WRENCHES (Cont)



The half-moon wrench has different size openings at each end and has a curved shank. The half-moon wrench is used when it is necessary to reach around objects in tight spaces.

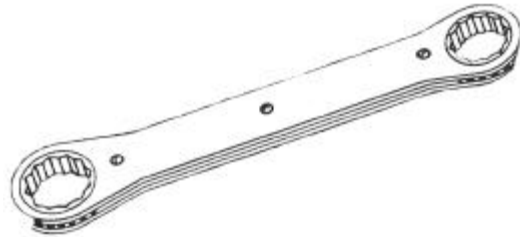


The split-box wrench is a 12-point wrench with 2 points cut away. The split-box wrench is used on pipe unions or couplings where you want the protection of a box wrench, but need to slide the wrench around a pipe.



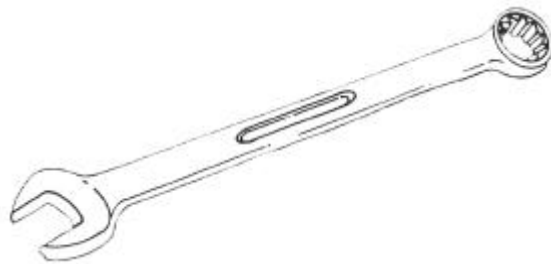
The structural-tapered handle wrench combines a box wrench opening with a tapered shank to produce a box

wrench/alignment pin combination. It is usually used on heavy structural construction (bridge girders, building beams, etc.).



Ratchet-box wrenches are either reversible or non-reversible. The ratchet-box wrench does not have to be lifted up and repositioned each time the shank has reached its maximum travel between two obstructions. The ratchet-box wrench provides an easy means of removing and/or installing nuts or bolts which are not under strain. These wrenches should not be used to torque down or to free nuts or bolts.

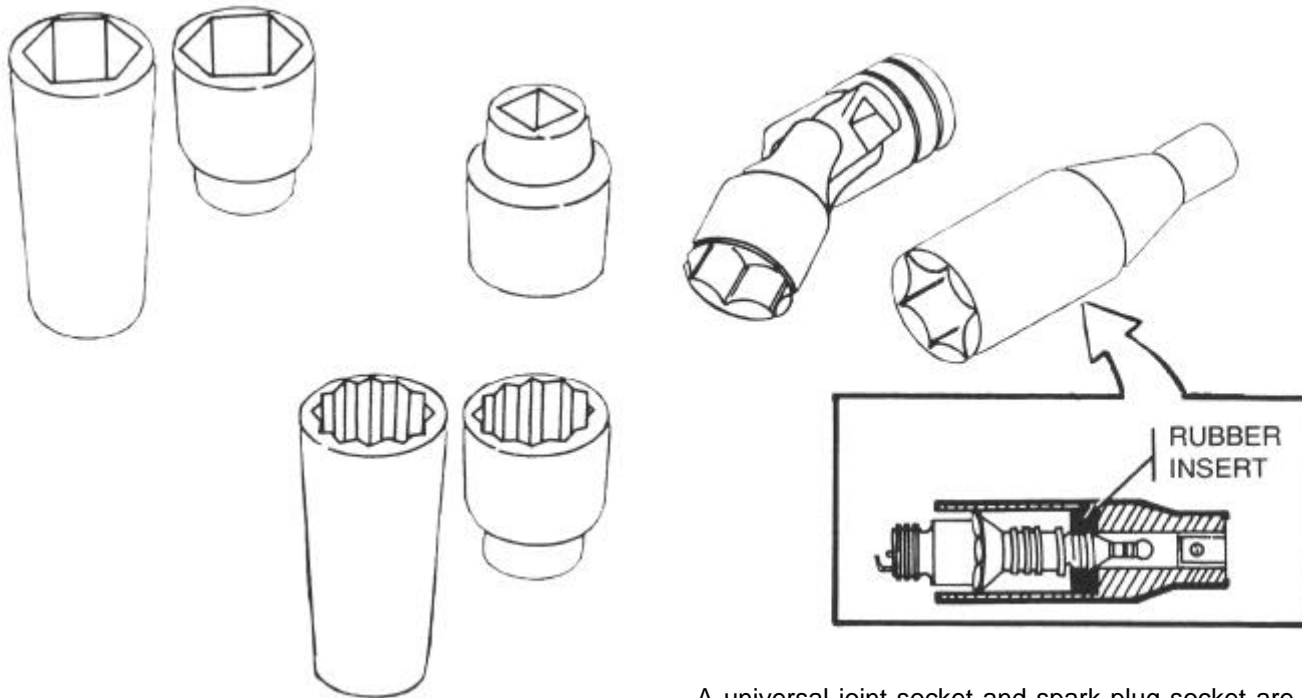
COMBINATION WRENCHES



The combination wrench combines the best features of the open-end and box wrench into a single wrench. The size opening on the wrench is the same on both ends, but one end has a box head and the other end has an open-end head. The length of the wrench varies with the size of the head. The most common opening is offset from the shank by 15 degrees. They are used to remove common-size nuts and bolts.

TYPES AND USES - Continued

SOCKET WRENCHES



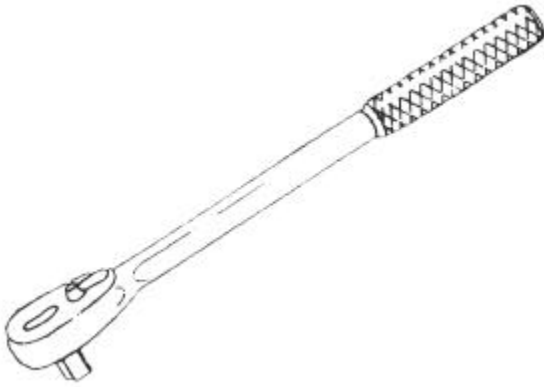
The socket wrench consists of a round metal sleeve with a square opening in one end for insertion of a handle, and a 6-point or 12-point wrench opening in the other. They are available in both common (short) and deep (long) lengths. The length of the socket does not determine its size. Socket wrenches usually come in sets. The square or drive end may vary in size from 1/4 to 1 inch. In socket sets, the drive end determines the size; for example, a 1/4-inch drive set may contain nine sockets ranging in size from 3/16 inch through 1/2 inch. In 3/8-inch drive, the smallest socket would be 3/8 inch. This overlap in size allows better control by the user and prevents breakage of either the socket or the equipment from using the wrong size handle.

A universal joint socket and spark plug socket are examples of specially designed sockets. The universal joint socket is used when it is necessary to reach around an object. The spark plug socket has a rubber insert. This insert protects the ceramic insulator when removing and/or installing the spark plug.

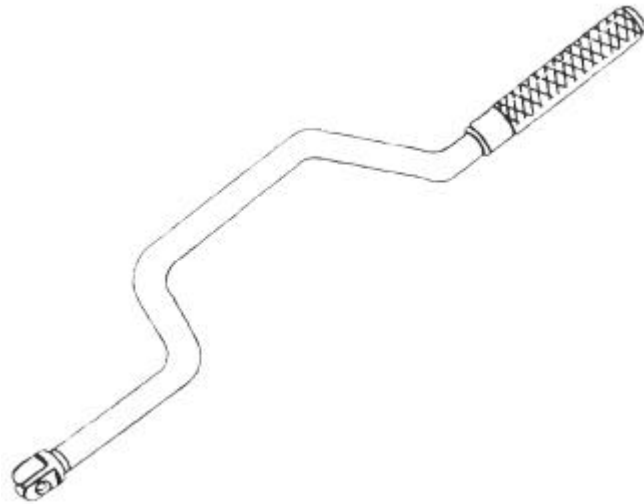
All sockets must be used with some type of handle. Sockets are used to remove and/or install common-size nuts or bolts.

TYPES AND USES - Continued

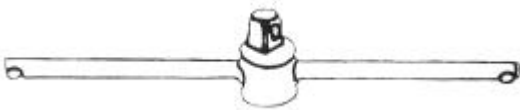
SOCKET WRENCH HANDLES, EXTENSIONS AND ADAPTERS



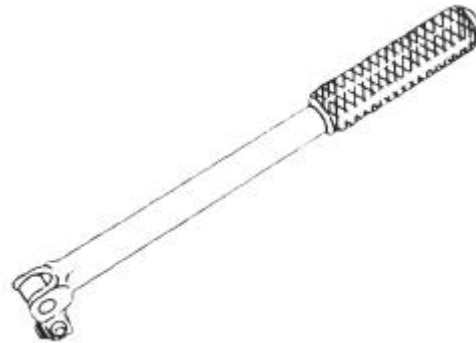
Ratchet handles may have either a straight-head or a flex-head. Both types have a selection lever on the top of the head to determine the direction of drive. The flex-head is used to go around objects. Both types are used with socket wrenches for rapid removal of nuts or bolts.



The speed handle has a brace-type shaft with a revolving grip on the top. It is used for rapid removal and/or installation of nuts or bolts, which are out in the open and have little or no torque.



The sliding T-Bar handle has a single head which may be adjusted along a bar handle. It has two spring-loaded balls, one for keeping the bar in the head and the other for keeping the socket on the head. The sliding T-Bar is used for increased leverage or for working around other objects.



A hinged handle has a hinged adapter on one end which may be rotated in 90 degree steps. The hinged handle is used when additional leverage or torque is needed to loosen nuts or bolts.

TYPES AND USES - Continued

SOCKET WRENCH HANDLES, EXTENSIONS AND ADAPTERS (Cont)



The spin-type screwdriver grip handle has a plastic or wood handle. It is used to remove and/or install small nuts and bolts.



The socket wrench adapter is used to change the drive size between the socket and the handle. It usually increases or decreases the fractional size by one (1/4 inch to 3/8 inch). The socket wrench adapter is used to increase or decrease the drive end of a particular handle allowing it to be used with two different socket sets.

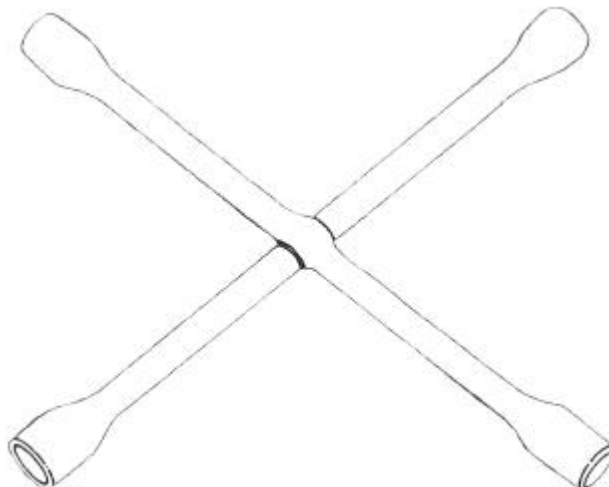


Extensions are either rigid or flexible. They range from 2 to 17 inches in length. Extensions may be used with any socket handle combination to gain clearance above nut or bolt.



The ratcheting adapter converts a non-ratcheting handle into a ratchet drive. It is used for quick removal of nuts or bolts.

SPECIAL PURPOSE SOCKET WRENCHES



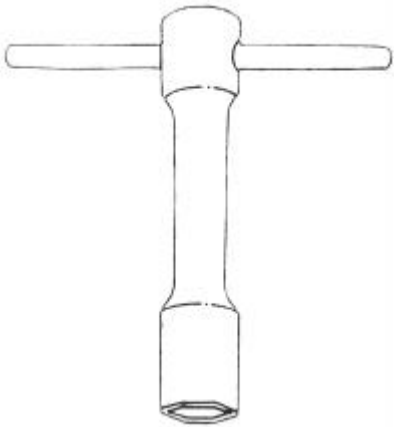
The four-way socket wrench has four nonremovable sockets attached to four arms. Each of the sockets is a different size. The four-way socket wrench is usually used to remove or install the wheel stud nuts of a vehicle. The handle construction provides extra leverage when loosening and tightening the stud nuts.

TYPES AND USES - Continued

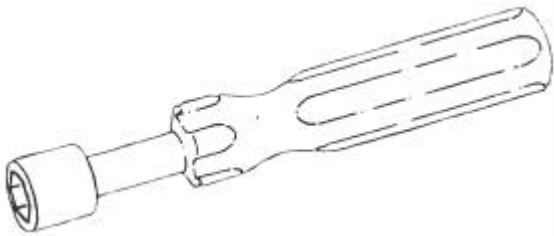
SPECIAL PURPOSE SOCKET WRENCHES (Cont)



The 90-degree offset handle socket wrench has a fixed socket at the end of a bent handle. It is used for removing and/or installing a nut or bolt which may not be reached with a box or combination wrench.



The T-handle socket wrench has a fixed T-handle above a fixed socket wrench. The T-handle socket wrench has many uses. One of the more common uses is for shutting off or turning on water or gas lines. The T-handle permits the operator to apply the turning force required to operate the valve.

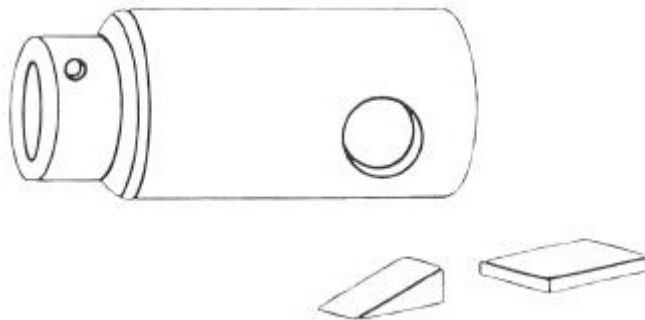


The screwdriver-type socket wrench has a socket fixed on the bottom of a screwdriver handle. They are used to remove and/or install small nuts and bolts.

Stud removers may be either the cam-operated type or the wedge type. They are used to remove studs from their seats for replacement. A single stud remover can be adjusted to remove different size studs.



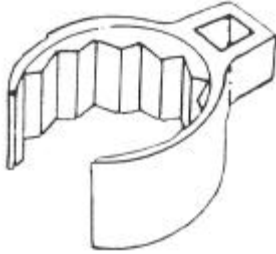
The cam-operated type uses a concentric cam to get a grip on the stud. The cam is tightened on the stud through mechanical linkage between the drive shank and the cam.



Wedge-type stud removers are made of a socket housing and two metal wedges. The socket is placed over the stud to be removed and the wedges are driven into the socket to hold the stud. The socket housing is now turned with a handle to remove the stud.

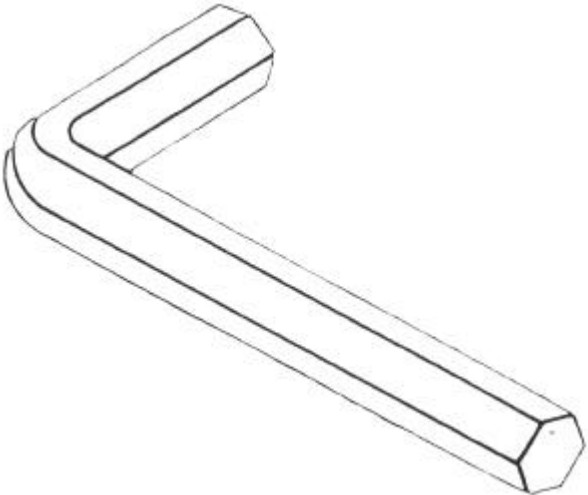
TYPES AND USES - Continued

CROWFOOT WRENCH



The crowfoot wrench is an open-end wrench head which is turned with a socket handle. It is used to remove and/or install nuts or bolts. It is also used where an obstruction would prevent the use of a regular socket.

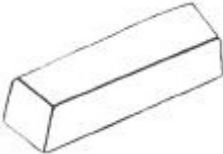
HEX KEY WRENCH (SHORTER SECTION)



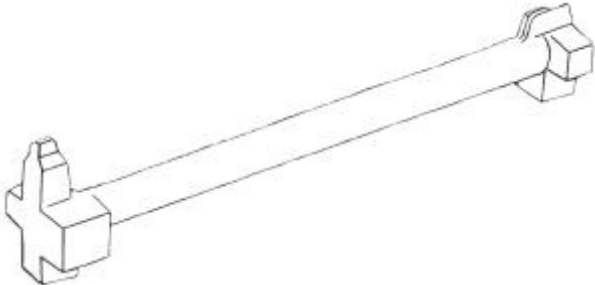
The hex key wrench is an L-shaped, six-sided wrench. Both ends of the "L" are the same size so you can turn the wrench either to gain access to the screw head or to obtain a leverage advantage. The hex key wrench is used to remove and/or install hex head screws.

PLUG WRENCHES

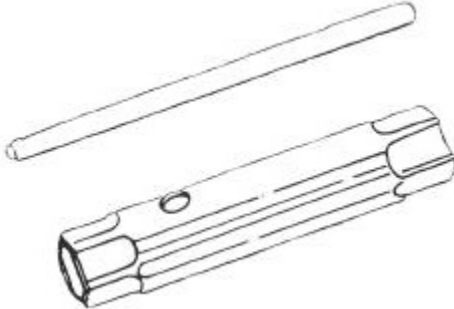
There are three basic types of plug wrenches, the bar-type, the multiple plug wrench, and the socket-type. Plug wrenches are used to remove and/or install drain plugs.



Bar-type plug wrenches may be either square or hexagonal and are about two inches long. A combination wrench or socket must be used to turn the plug.



The multiple plug wrench combines several plug ends on a common handle.



Socket-type plug wrenches are usually combined in sets with an assortment of handles. The set will contain several sizes.

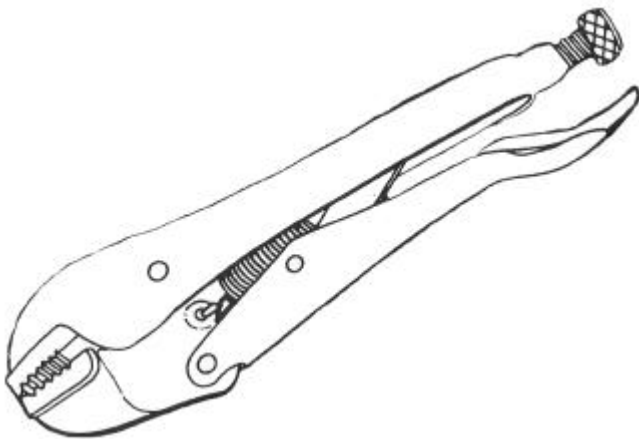
TYPES AND USES - Continued

ADJUSTABLE OPEN-END WRENCH



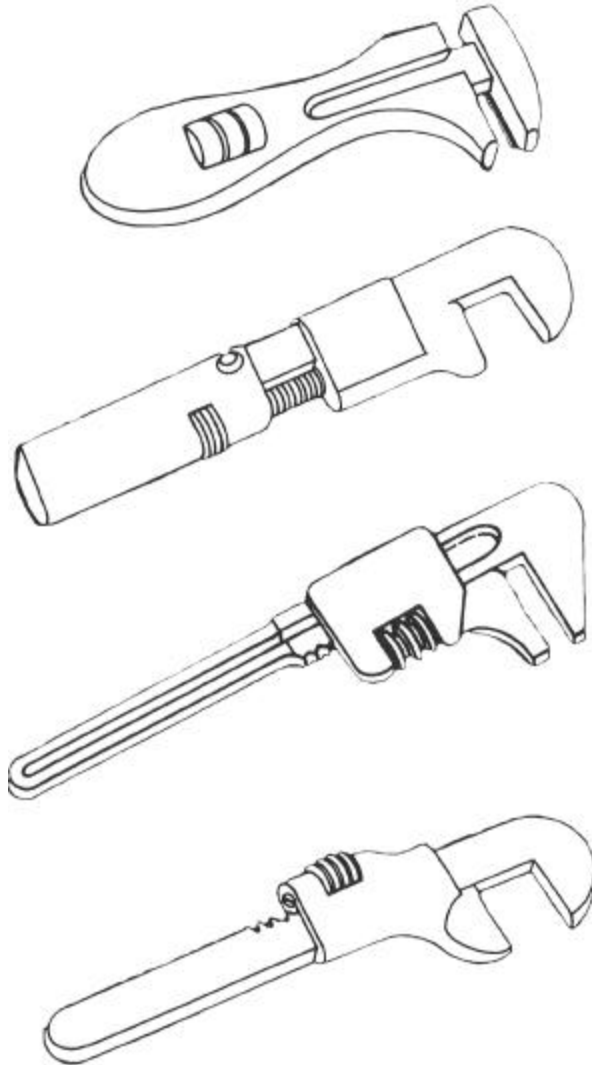
The adjustable open-end wrench has one fixed jaw and a movable or adjustable jaw. The adjustable jaw is set against the face of the nut by turning a knurled worm gear. Care must be exercised when using an adjustable wrench. Always use the fixed jaw for applying pressure to tighten or loosen nuts or bolts. Adjustable wrenches are used to remove and/or install nuts, bolts, and studs when the correct size wrench or socket is not available.

CLAMP PLIERS



The clamp pliers are generally used more as a wrench than as a pair of pliers. It has a fixed jaw and handle which contains an adjustment screw for the movable jaw. The other handle is in two sections, one section to apply pressure and to lock the pliers, and the other section, when pulled, to release the grip. Clamp pliers are used to hold or clamp nuts and bolts which have been rounded off by using the wrong size wrench.

MONKEY AND AUTO WRENCHES

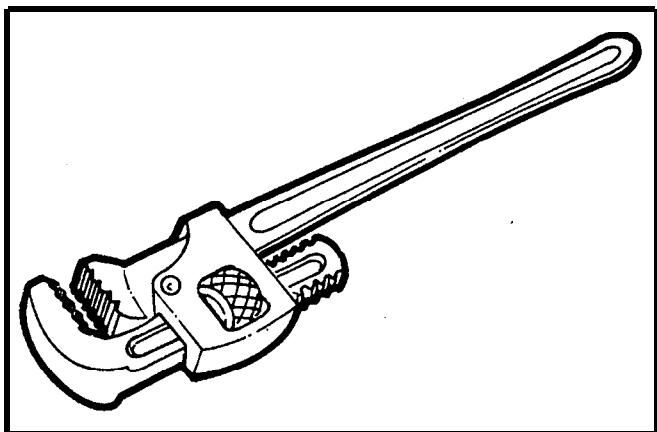


The monkey and auto wrenches are similar and have one fixed jaw and an adjustable jaw which moves along the handle by turning a knurled worm gear. Monkey and auto wrenches are used to install or remove odd size nuts and bolts. An adjustable wrench must be used with care. Always apply pressure against the fixed jaw.

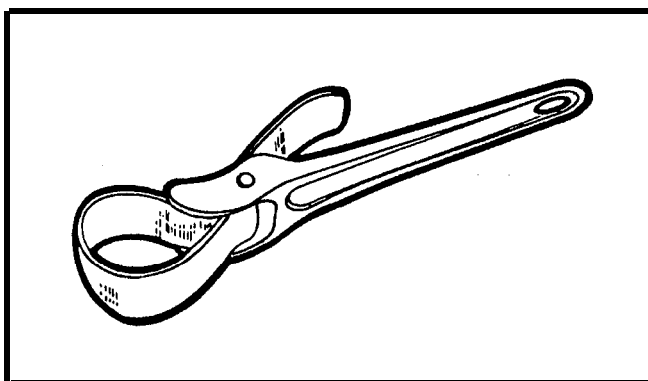
TYPES AND USES - Continued

PIPE WRENCHES

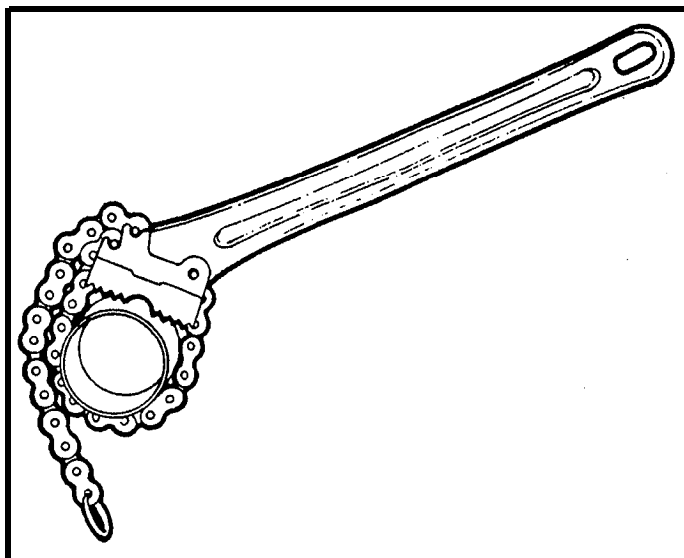
There are three basic types of pipe wrenches, the stillson wrench, the strap wrench, and the chain wrench. They are all used to connect or break pipe joints or to turn cylindrical parts.



The stillson pipe wrench has a fixed jaw which is on the end of the handle and an adjustable jaw at the top of the wrench. Adjustment is made by turning a knurled adjusting screw which moves the jaw. Always pull the pipe fitting towards the fixed jaw. The serrated (grooved) jaws of the stillson wrench will mar soft pipe.



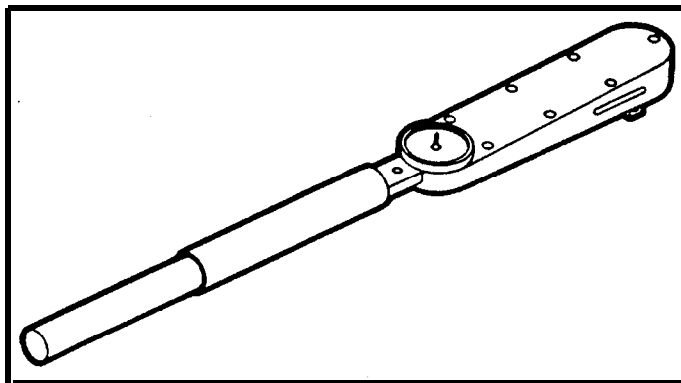
Strap pipe wrenches have a leather or canvas strap which is attached to the handle. The strap is looped around the pipe and back through the handle to grip the pipe. The strap pipe wrench will not scratch the surface of the pipe.



Chain pipe wrenches have a section of bicycle-type chain permanently attached to the handle. The upper section of the head has teeth which mate with the links of the chain. The chain is wrapped around the pipe and pulled over the head section of the wrench to grip the pipe. Chain pipe wrenches will scratch the surface of the pipe.

TORQUE WRENCHES

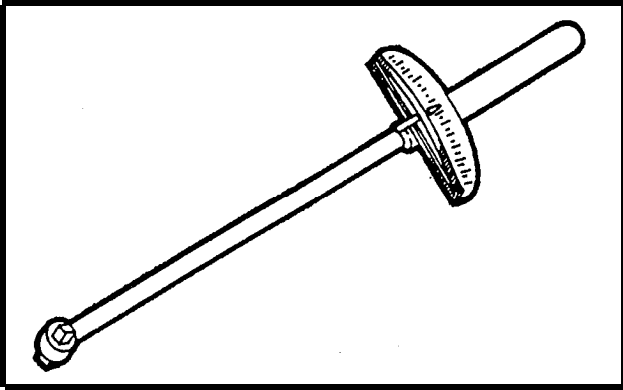
Torque wrenches are designed to measure the specific degree of tightness of nuts or bolts. Torque wrenches are considered precision instruments and therefore must be calibrated at regular intervals. Torque wrenches are used for final tightening of nuts or bolts. Torque wrenches are normally calibrated in a right-hand direction only. If a unit is required to perform torquing operations in a left-hand direction, they must request that the supporting calibration facility calibrate the torque wrench in both directions.



A dial torque wrench has a head which contains the drive element and a dial for reading the exact amount of torque.

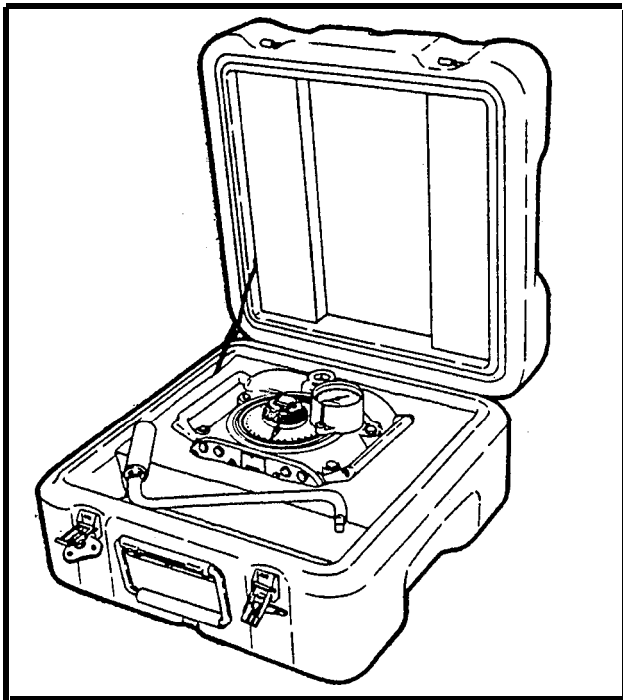
TYPES AND USES - Continued

TORQUE WRENCHES (Cont)



A scale torque wrench has a rod which runs parallel to the handle and the drive element. This rod moves across the scale to the right or left as torque is applied.

POWER TORQUE WRENCH



Using a powerful gear train, the power torque wrench is completely mechanical in operation. The power torque wrench is operated by a hand crank. The torque is calibrated in foot pounds, which is shown by a dial indicator on the top face of the power

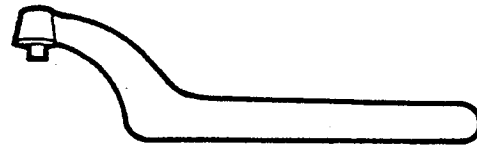
torque wrench. This type of torque wrench is used for tightening nuts and bolts requiring 200 or more foot pounds of torque.

NOTE

A special feature of this type of torque wrench is that it is possible to loosen as well as tighten nuts and bolts.

SPANNER WRENCHES

Two basic types of spanner wrenches are the hook-type and the pin-type. Hook-type spanner wrenches are either fixed or adjustable and are normally used to tighten fire hoses or similar couplings which have a protruding lip. Pin-type spanner wrenches have pins protruding from the handle which fit into holes in the coupling or plate to be tightened or loosened. Spanner wrenches are special purpose wrenches and are to be used only for their intended purpose.



HOSE COUPLING PIN



FIXED HOOK



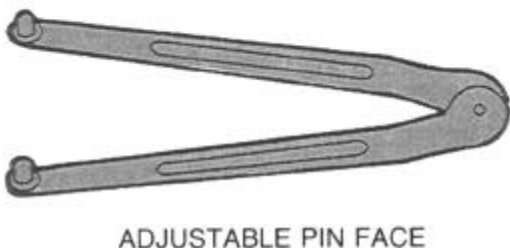
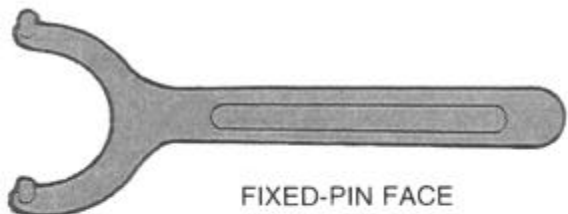
ADJUSTABLE HOOK

Three kinds of hook-type wrenches include the hose coupling pin, for tightening and loosening hose couplings, the fixed hook, for tightening or loosening couplings with protruding rims or edges, and the adjustable hook-type.

The adjustable hook-type is similar to the fixed hook-type. However, it may be adjusted around objects and fastened before use.

TYPES AND USES - Continued

SPANNER WRENCHES (Cont)

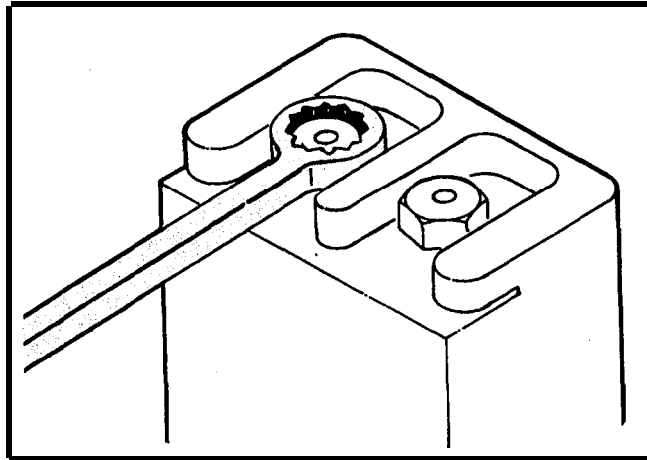
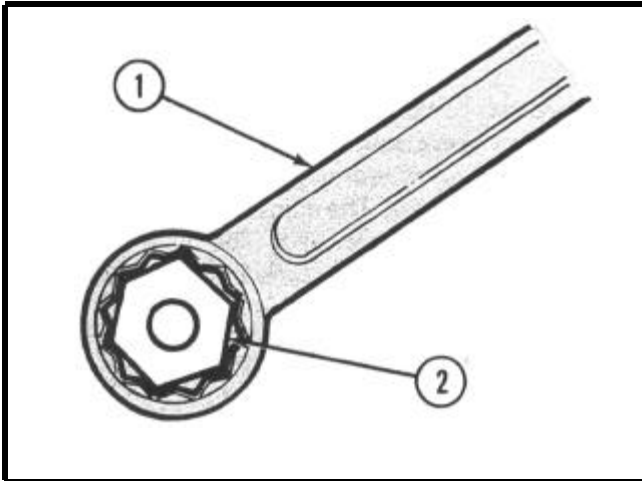


There are two basic pin-type wrenches. The fixed-pin face has been designed to fit a particular pattern and is nonadjustable. The fixed-pin face is used to remove protective cover plates. The adjustable pin face has two arms joined at a common point. The other end of the arms contain pins which may be engaged in the holes of a cover plate for removal.

SAFETY

1. Wrenches should fit the nuts or bolts they are to loosen or tighten.
2. Never turn adjustable wrenches so that the pulling force is applied to the adjustable jaw.
3. Do not attempt to extend the handle in any way to increase the leverage on a wrench. Increased leverage may damage the wrench or the work.
4. Apply penetrating oil to rusted nuts and/or bolts that resist turning. Allow time for oil to penetrate before attempting to turn.
5. Do not strike wrenches with hammers to tighten or loosen nuts or bolts.
6. Do not exert a hard pull on a pipe wrench until it has gripped the work firmly.
7. Remember to pull on the wrench, when possible, in order to protect your knuckles in case the wrench slips.
8. Return all wrenches to their proper places upon completion of each job. This eliminates the possibility of leaving them where they can injure someone.
9. Always keep the wrench in good condition, clean and free from oil or grease. Otherwise it may slip, resulting in possible serious injury to you or damage to the work.

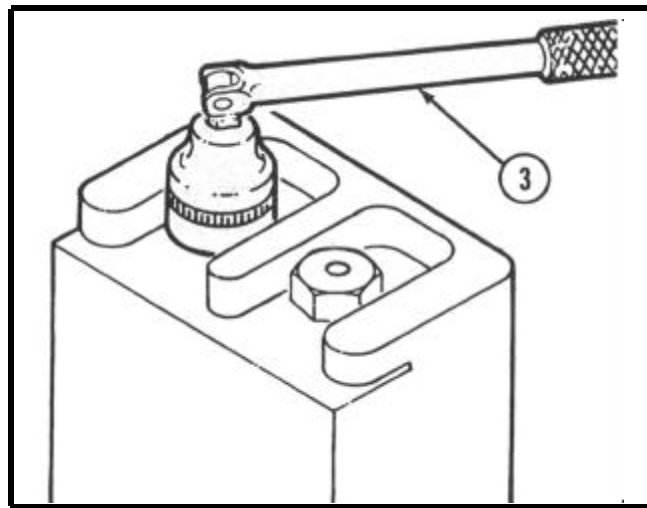
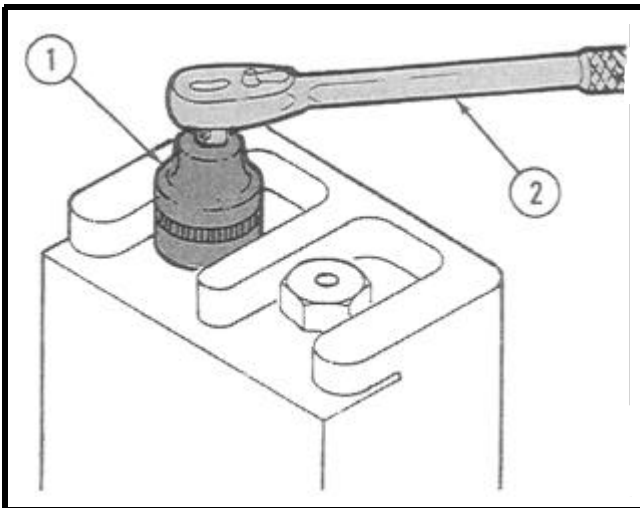
HOW TO USE A BOX WRENCH



- 1 Select the size of wrench that fits the nut or bolt.
- 2 Place the wrench (1) on the nut or bolt (2). Swing the wrench clockwise to tighten and counterclockwise to loosen for a right hand threaded nut or bolt. Reverse the above for a left hand threaded nut or bolt.

- 3 If there is insufficient room to swing the wrench in a full circle, lift it completely off the nut when it comes to the limit of the swing, and place it in a new position, permitting another swing. A swing through of a 15 degree arc is usually sufficient to continuously loosen or tighten a nut or bolt.
- 4 After the nut is tight, give it a final tightening.

USING A SOCKET WRENCH

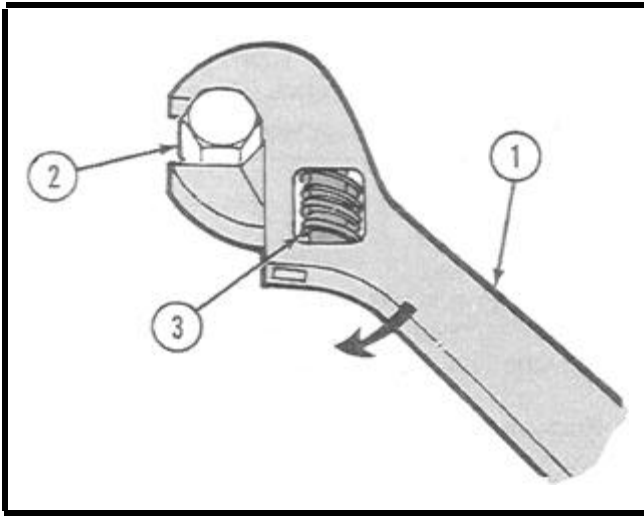


- 1 Select the size of socket (1) that fits the nut or bolt to be turned and push it onto the handle (2) which is best suited to the job.
- 2 If there is room to swing, use the ratchet handle. (The handle may be made to ratchet in one direction for tightening work and in the other direction for loosening work.)
- 3 Swing the handle back and forth to turn the nut in the

desired direction. (The socket need not be raised from the nut at the end of each swing.)

- 4 When a tight nut is to be loosened or a nut is to be set up, the nut hinged handle (3) can be swung at right angles to the socket to provide the most leverage. At the point where the nut turns easily, the handle can be swung to a vertical position and twisted rapidly between the fingers in the same manner as a screwdriver.

USING AN ADJUSTABLE OPEN-END WRENCH



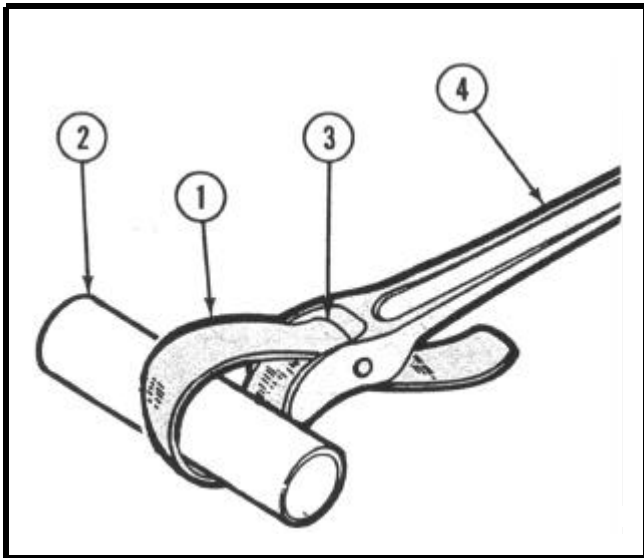
- 1 Place the wrench (1) on the nut (2) so that the force used to turn it is applied to the stationary jaw side of the wrench.
- 2 Tighten the knurled adjusting nut (3) until the wrench fits the nut as tightly as possible.

CAUTION

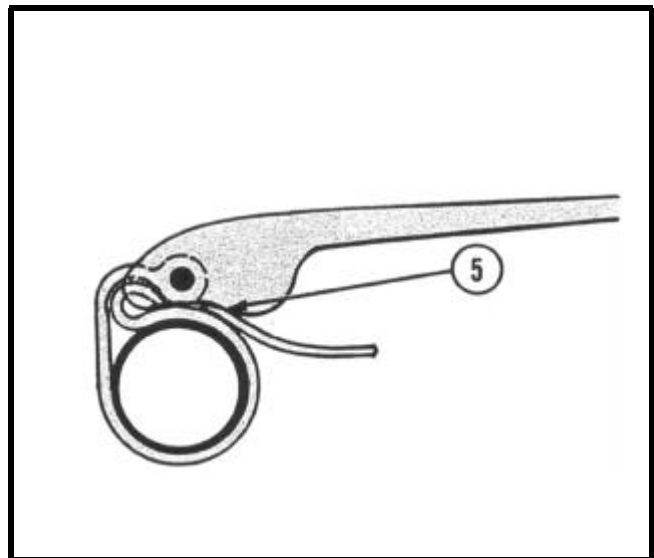
If the wrench does not fit tightly, it will slip and round the corner of the nut.

- 3 Swing the wrench clockwise to tighten the nut.
- 4 After the nut is tight, set it up (final tightening).

USING AN ADJUSTABLE STRAP PIPE WRENCH



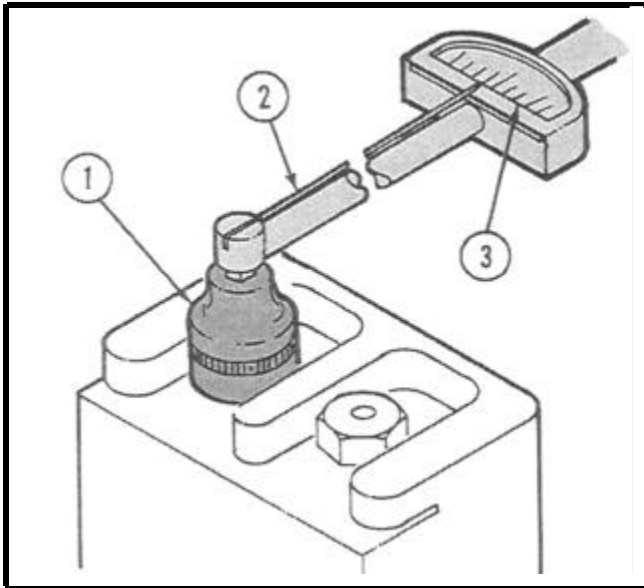
- 1 Loop the strap (1) around the pipe (2) in the opposite direction to that in which the pipe is to be rotated.
- 2 Slip the end of the strap through the shackle (3) and draw it up tightly.
- 3 Pull the handle (4) to turn the pipe in the desired direction until the desired tightness is obtained.



NOTE

The jaw (5) at the end of the shackle will seat against the strap and, as the handle is pulled, the strap will tighten and turn the pipe.

USING THE TORQUE WRENCH



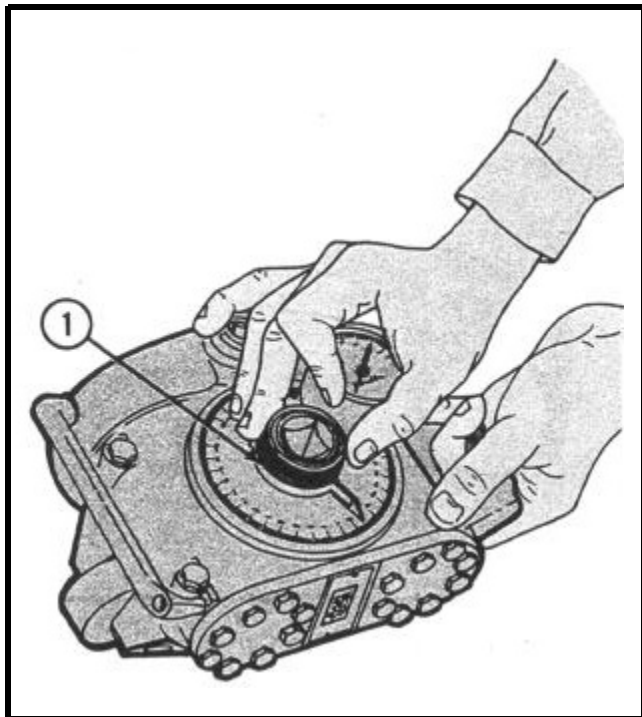
- 1 Select proper size socket wrench (1) and attach to torque wrench square drive (2).
- 2 Place socket wrench on work and pull the torque wrench handle in the desired direction to tighten the work.

NOTE

The tightening torque will be indicated on the dial or scale (3), depending on the type of the torque wrench used.

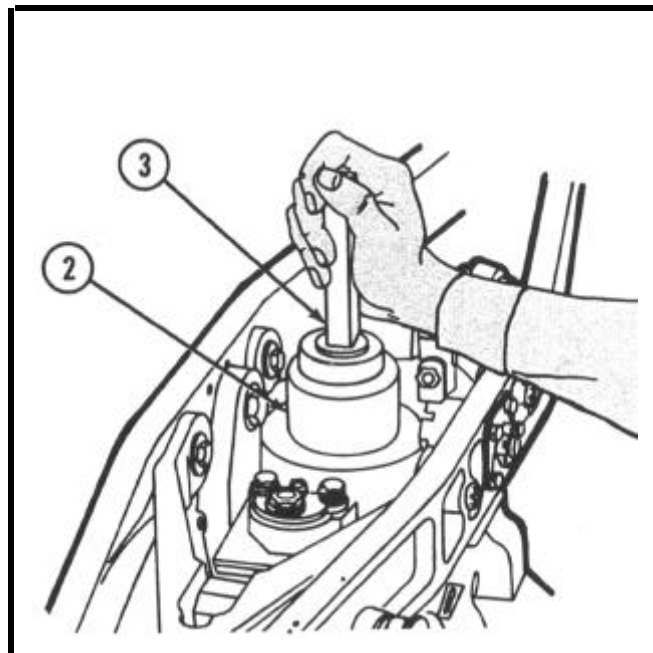
- 3 Remove the wrench when the torque on the dial or scale is reached.

USING THE POWER TORQUE WRENCH



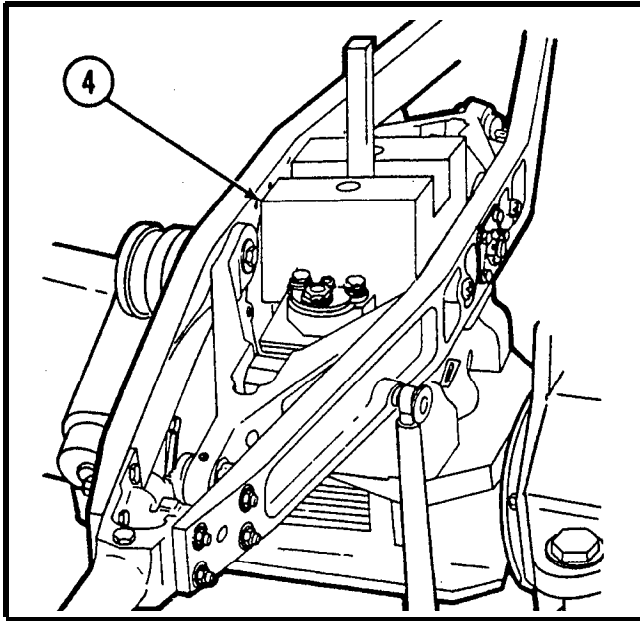
NOTE

The following procedure is not the only application for the power torque wrench. However, use of this tool is basically the same regardless of model or application.



- 1 To tighten a nut, set the knurled ratchet indexer (1) (located on the front of the wrench) in the same direction the handle will be turned.
- 2 Install applicable socket (2) onto the nut to be tightened.
- 3 Install square drive bar (3) into the socket.

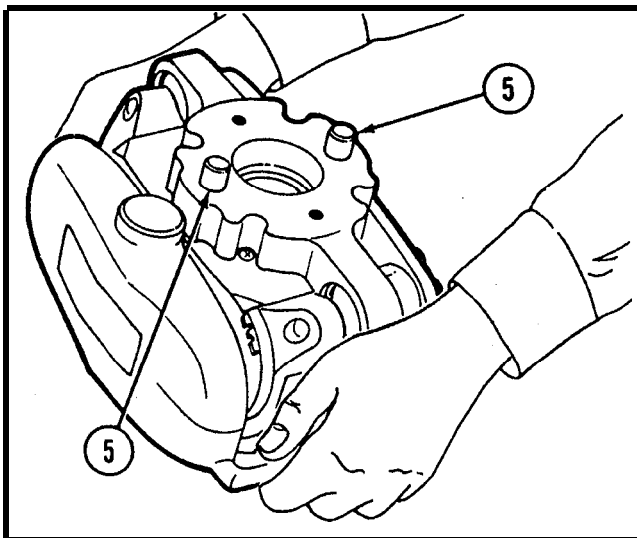
USING THE POWER TORQUE WRENCH - Continued



CAUTION

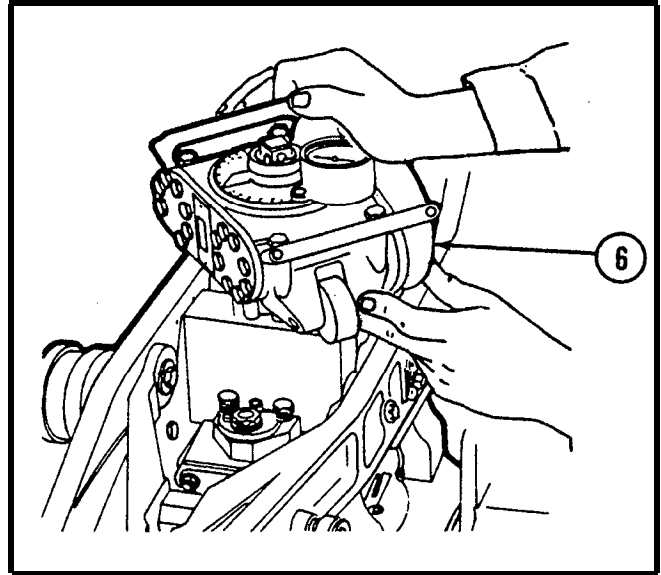
Different reaction adapters are required for various operations. Be careful to use the correct reaction torque adapter. Failure to do so will render torque wrench useless and can damage the equipment.

- 4 Install reaction torque adapter (4) over drive bar and socket as shown.

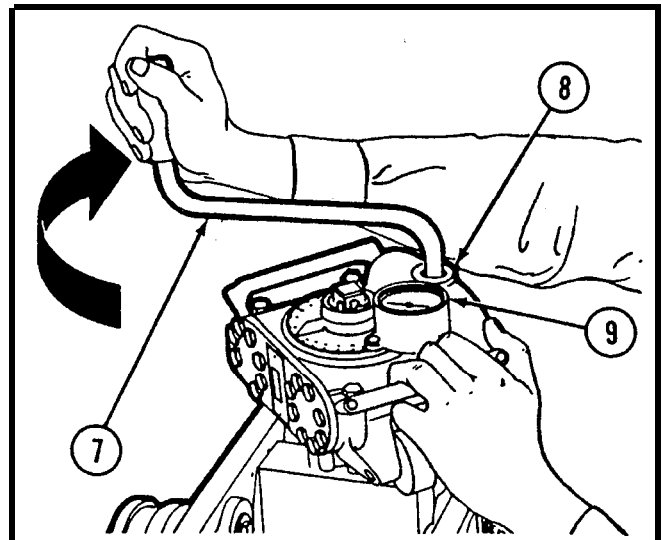


NOTE

When installing power torque wrench, make sure the two locking pins (5) underneath the wrench are firmly engaged to the reaction torque adapter.



- 5 Install power wrench (6) onto square drive bar and reaction torque adapter. Rotate power wrench until the reaction torque adapter engages a fixed point.

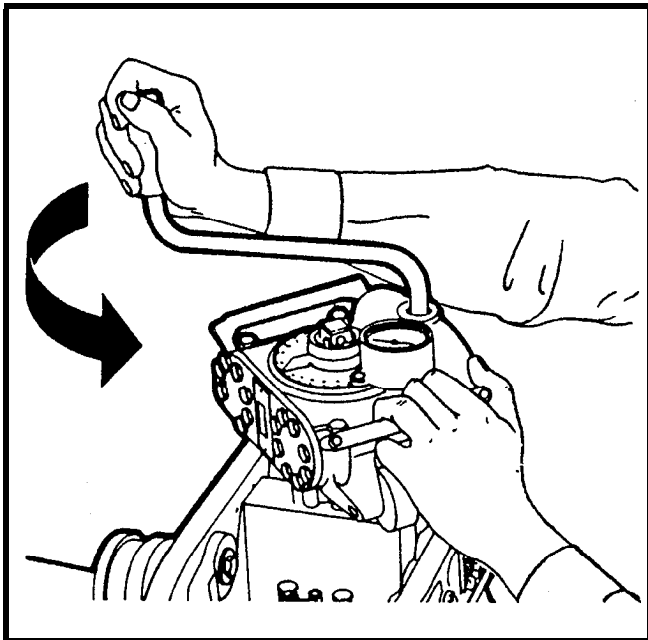


CAUTION

Do not use impact wrench of any kind to operate this wrench.

- 6 Install the crank handle (7) into the square input (8) and turn in the same direction as the output must turn.
- 7 Continue to turn crank until torque indicator (9) shows the desired torque reading.

USING THE POWER TORQUE WRENCH - Continued



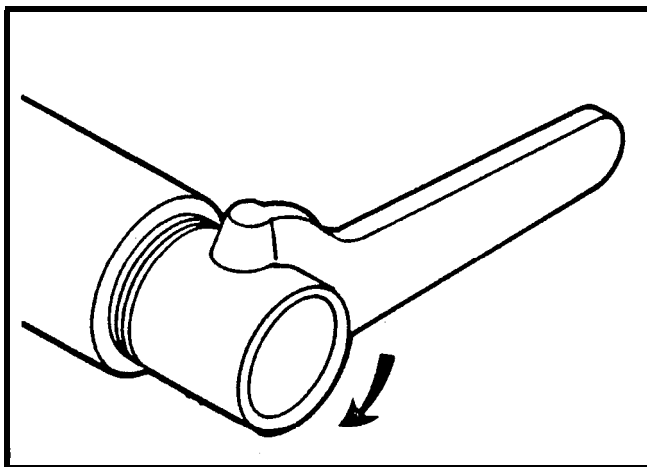
- 8 After obtaining the desired torque, turn the crank in the opposite direction until the torque indicator returns to zero (green band). This will remove the holding pressure on the wrench.
- 9 Remove the wrench, adapter, and socket.
- 10 To loosen a nut, repeat steps 1 through 6.

NOTE

Normally, torque will build up in the wrench until break-away torque is reached. As the torque load is released, the indicator will reverse direction.

- 11 Continue to turn crank until indicator returns to "O."
- 12 Remove the wrench, adapter, drive bar and socket.

USING A SPANNER WRENCH



- 1 Insert the pins or lugs into the pin holes of the part.
- 2 Keep the pin face of the wrench flush against the surface and turn the wrench.
- 3 Exert enough force against the wrench so that the pins do not pop out of the holes.
- 4 Make certain that the pins fit the holes and the force is applied with the handle perpendicular to the work.
- 5 Remove the wrench when desired tightness is obtained.

CARE

- 1 Clean all wrenches after each use.
 - 2 Wrenches that come in sets should be returned to their cases after use.
- 2.1** Store torque wrenches as follows:
- a. When storing the micrometer-type torque wrenches or beam-type torque wrenches, check to make sure they are returned to zero before storing.

b. For the rest of the torque wrenches (unless your local SOP states differently) zero them before you store them. This takes the pressure off the spring, and the wrenches will last longer and give better service.

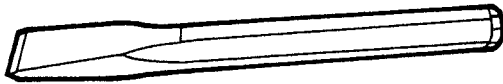
- 3 Apply a thin film of oil to the metal parts of all wrenches before storing them. Remove oil before use to prevent injury or damage.
- 4 For long-term storage, the wrenches should be covered with a rust-preventive compound and carefully stored in a dry place.

Chapter 26 CHISELS

HOW TO CHOOSE AND USE THEM

The "Types and Uses" section provides you with a list of some of the types of chisels. These pages should help you select the right chisel to do the job.

The "Using" section tells you how to use the chisel to perform the desired function. The "Care" procedures tell you how to care for the items.

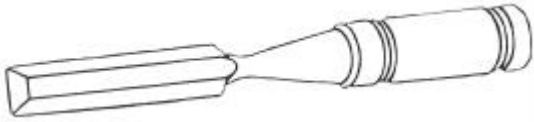


INDEX

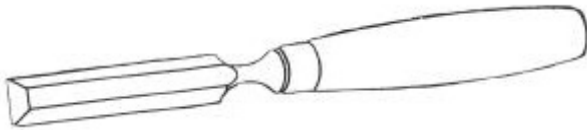
<i>Item</i>	<i>Page</i>
TYPES AND USES	26-2
Woodworker's chisels	26-2
Machinist's chisels	26-2
Track chisel	26-2
Rivet buster chisel	26-2
USING	26-3
CARE	26-5

TYPES AND USES

WOODWORKER'S CHISELS



There are two types of woodworkers chisels. The socket type has a blade and socket handle forged of high carbon steel in a single casting. The wooden handle is inserted into the socket. This type of chisel is used to cut and pare off wood. Generally socket-type chisels are used for heavier cutting when a hammer or mallet may be required for additional driving force.

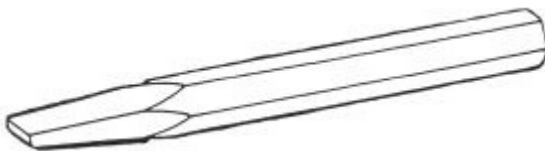


The tang-type chisel is forged in a single casting. The handle is drilled and inserted over the tang and reinforced with a metal band. The tang-type chisels are also used to cut and pare wood. However, the driving force required is hand pressure only.

MACHINIST'S CHISELS



Machinist's chisels are designed to cut and shape cold metal and are usually struck with a hammer. The flat or cold chisel is composed of hardened steel and has a tapered cutting edge on one end and a flat base on the other end.



The diamond point chisel has a solid point on one end and a flat base on the other end. It is used for drawing and cutting holes in flat stocks and to cut V-grooves.

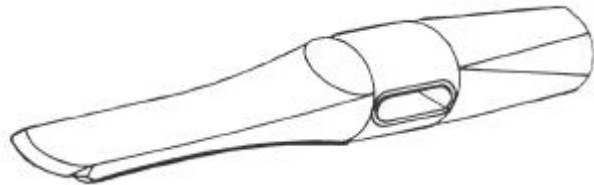


The cape chisel has a small solid point on one end and a flat base on the other end. It is used for cutting keyways or slots in metal, and square corners.



The roundnose chisel has a ground edge on one end and a flat base on the other end and an octagon-shaped stock. It is used to align drilled holes, cut channels, cut oil grooves and similar work.

TRACK CHISEL



The track chisel has a beveled point on one edge and a flat face on the other end. The cutting edge is 1-3/8 inches wide; the overall length is 10-1/2 inches and it weighs 5-1/2 pounds. The track chisel is used with a 22-inch sledge hammer to remove track bolts, boiler rivet heads and cut rail when a saw or cutting torch is not available.

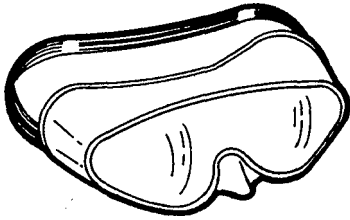
RIVET BUSTER CHISEL



The rivet buster chisel has a single ground flat cutting edge on one end and a flat face on the other end. The cutting edge is about 3/4 inch wide and the overall length is about 9 inches. It is used for cutting off chassis rivets and in other difficult places which cannot be reached by other chisels.

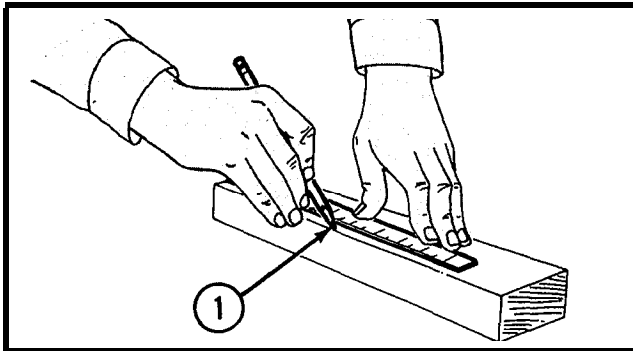
USING A WOODWORKER'S CHISEL

The following procedure is designed for using a woodworker's chisel.

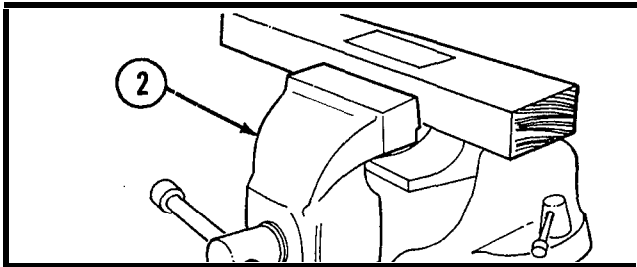


WARNING

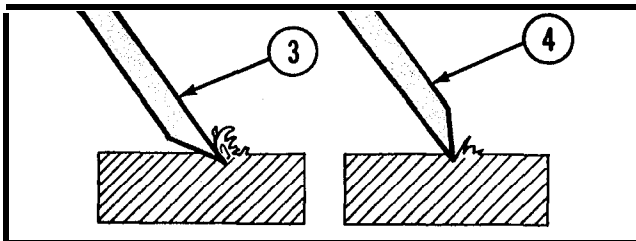
WEAR EYE PROTECTION. KEEP BOTH HANDS BACK OF THE CUTTING EDGE AT ALL TIMES.



- 1 With rule and pencil, mark area (1) to be cut with the chisel.



- 2 Examine the grain of the wood, and place securely in a vise (2) so you are cutting with the grain. The wood should not be able to move in any direction.



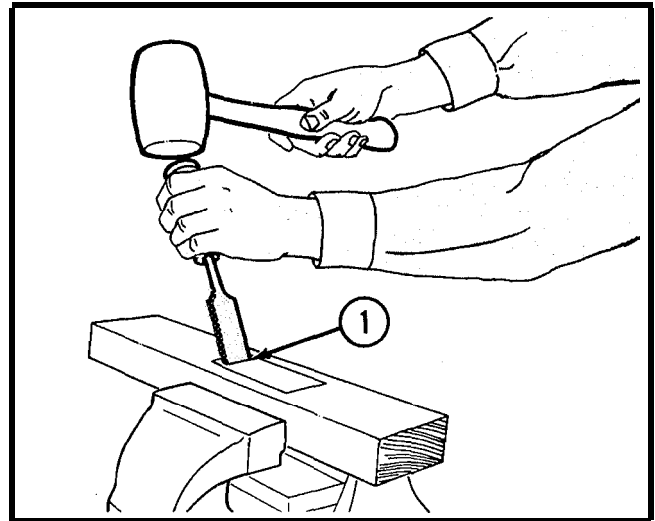
- 3 Rough cuts are made with bevel side down (3) while smooth finishing cuts (4) are made with bevel side up.

WARNING

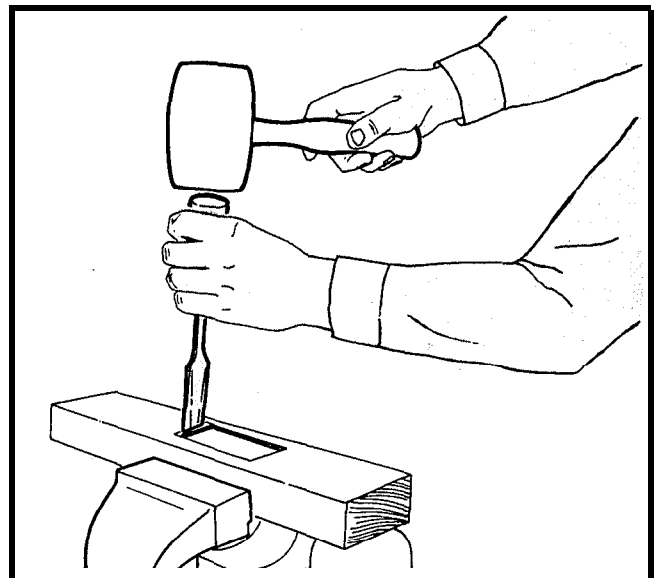
NEVER CUT TOWARD YOURSELF WITH A CHISEL

CAUTION

Use short, rapid mallet blows to control depth and length of cut.

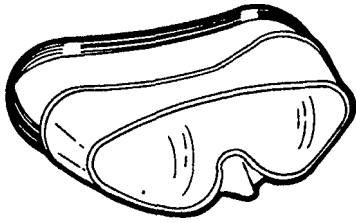


- 4 Start your cut about 1/8 inch from the guide line (1). Using a chisel and mallet, make your cut toward the center (the waste area) to protect the edge.
- 5 Make small thin cuts. This prevents breaking or splitting of the work. Check your guide marks often to prevent overcutting.



- 8 Remove the last 1/8 inch using chisel and mallet to complete the job.

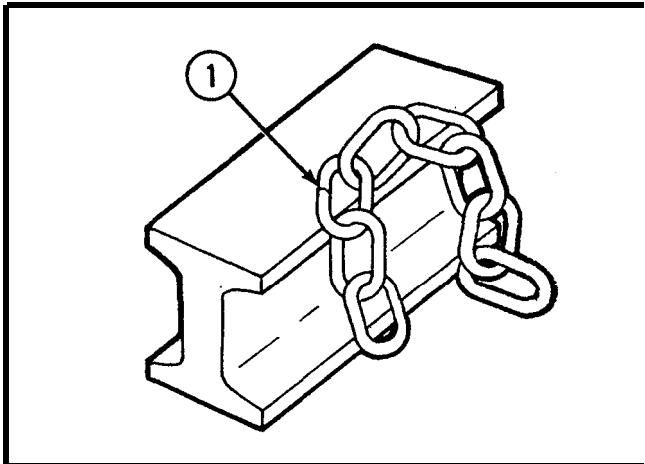
USING A MACHINIST'S COLD CHISEL



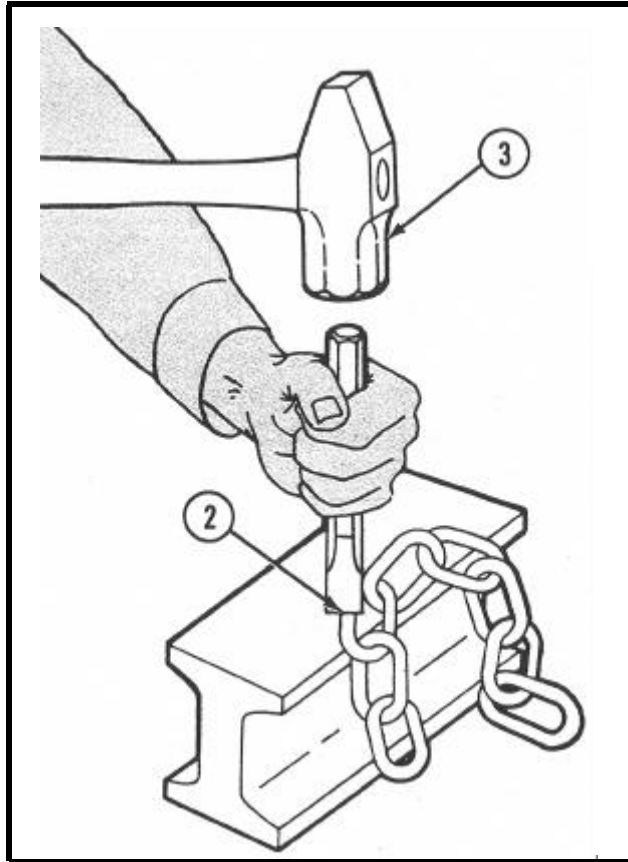
WARNING
WEAR EYE PROTECTION.

NOTE

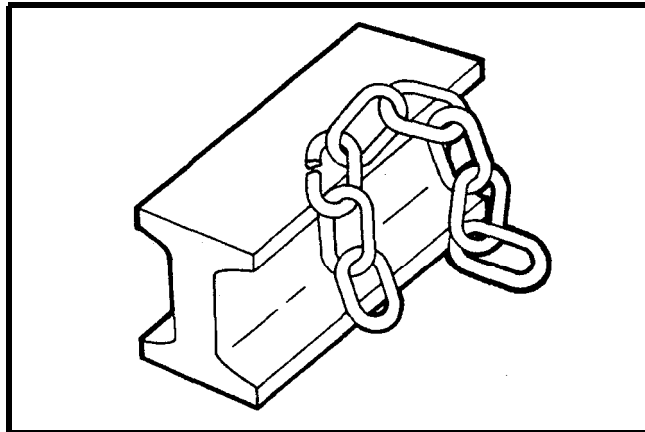
The following procedure is designed for using a machinist's cold chisel. However, cutting round stock is not the only use for this type of chisel.



- 1 With a rule and marking pencil measure desired length and mark.
- 2 Place mark on a hard steel surface (1) (anvil, closed vise jaws, etc.).

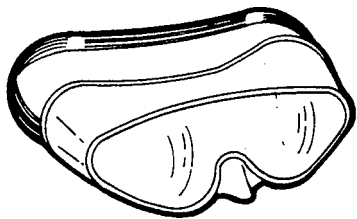


- 3 Place cutting edge (2) of chisel on the mark with chisel straight up and down.
- 4 Lightly strike the chisel with a hammer (3) and check chisel mark to be sure you are cutting on the desired mark.



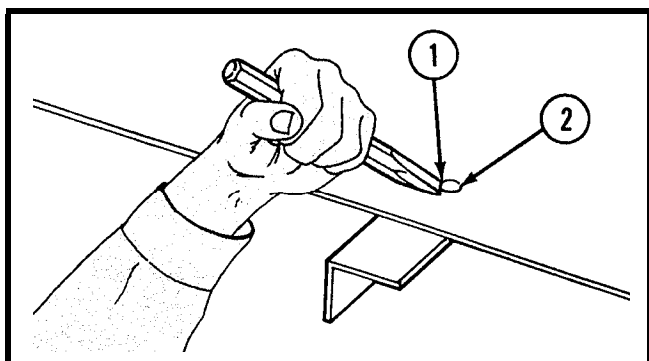
- 5 Continue striking chisel with the hammer until cut is through the round stock. A larger diameter stock is cut the same way except it is turned over after the cut is about half way through the rod.

USING A RIVET BUSTER CHISEL

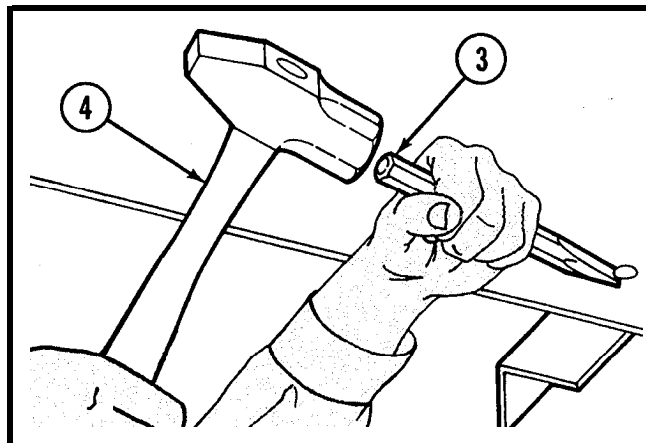


WARNING
WEAR EYE PROTECTION.

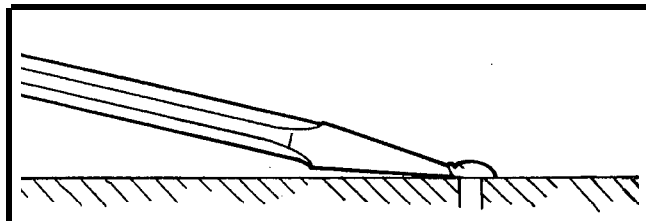
The following procedures are designed for using a rivet buster chisel.



- 1 Place cutting edge (1) of the chisel firmly against the rivet shaft (2) between the head and the metal.



- 2 Grip the chisel firmly and strike chisel head (3) with a machinist's or sledge hammer. (4).



- 3 Continue striking chisel head until rivet head has been cut off.

CARE OF CHISELS

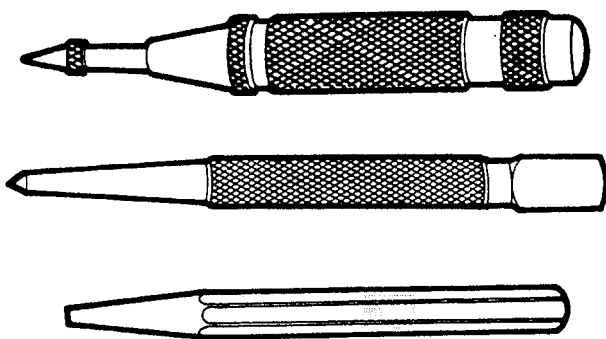
1. Protect the cutting edges by installing protective covers.
2. Store in racks or where they may not be chipped or broken.
3. Lubricate with a light coat of oil before storing.
4. Regrind broken or chipped edges before using.

Chapter 27 PUNCHES

HOW TO CHOOSE AND USE THEM

The "Types and Uses" section provides you with a list of some of the types of punches. These pages should help you select the right punch to do the job.

The "Using" section tells you how to use the punch to perform the desired function. The "Care" procedures tell you how to care for the items.

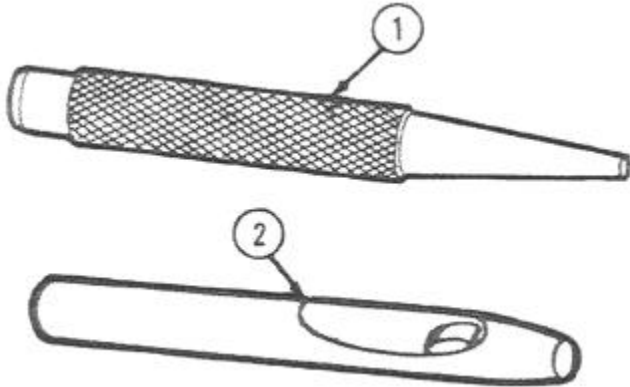


INDEX

<i>Item</i>	<i>Page</i>
TYPES AND USES	27-2
Center punch	27-2
Drift punch	27-2
Alignment punch	27-2
Drive pin punch	27-2
Prick punch	27-2
Starting punch	27-3
Grommet inserting punch	27-3
Catapunch	27-3
Metal cutting punch	27-3
Tinmen's hollow punch	27-3
Sheet metal punch	27-3
Lever punch	27-3
USING	27- 4
CARE	27-6

TYPES AND USES

There are two basic types of punches; solid (1) which are the most common, and hollow (2) which are usually designed for punching holes in leather, paper, and other similar materials. Solid punches are used to mark metal, drive pins, align holes and to do other similar jobs.



CENTER PUNCHES

There are two types of center punches, both used for starting drill holes.



The hand-held type has a narrow, cone-shaped point terminating in a sharp, conical tip. Hand-held types; range from 1/8 to 5/8 inches in diameter and from 3 to 6 inches long. The hand-held punch must be struck with a hammer.



The automatic type has an adjustable regulator for determining the impact of the punch and also has interchangeable points. The automatic punch contains a tension spring for marking without the use of a hammer.

DRIFT PUNCH



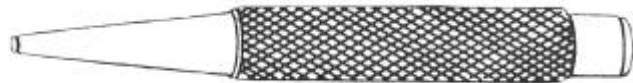
The drift punch has a narrow, tapered flat point. The points range in size from 1/8 to 1/2 inch in diameter with an overall length from 7 to 9 inches. Drift punches may be used to remove shafts, pins, rivets (after heads have been removed), and to align small parts.

ALIGNMENT PUNCH



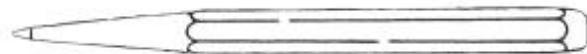
The alignment punch has a narrow, tapered flat point. The points range in size from 1/8 to 1/2 inch in diameter with an overall length of 12 to 15 inches. Alignment punches are used to line up mating parts for assembly. Make sure the punch is large enough for the job. A punch that is too small may bend or break.

DRIVE PIN PUNCH



The drive pin punch has a flat tip which may be tapered. Points may range in size from 0.03 to 1/2 inch and are from 3 to 6 inches long. Standard drive pin punches usually come in sets of nine. Drive pin punches are used to remove straight or tapered pins. Make sure the right size punch is used for the pin being removed.

PRICK PUNCH



The prick punch has a long, conical-shaped point and ranges from 4 to 5 inches in length overall. It is used to mark soft metal.

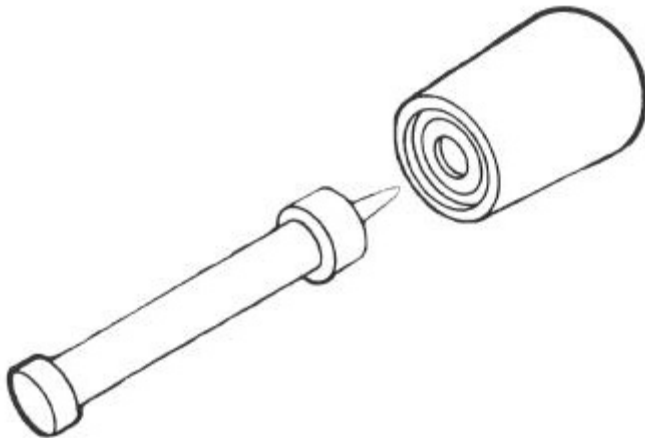
TYPES AND USES - Continued

STARTING PUNCH



The starting punch has a strong tapered point capable of resisting applied force. It is used to start the removal of a pin from an assembly.

GROMMET-INSERTING PUNCH



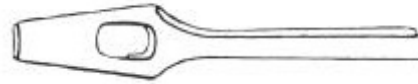
The grommet-inserting punch consists of two parts. The solid punch part has a tapered point and a flat shoulder. The round die part has flat ends with a bored hole in one end to receive the point of the punch. Grommet-inserting punches are used to form the flange on grommets which are installed along the edges of flags, sails, mail bags, and similar items.

CATAPUNCH



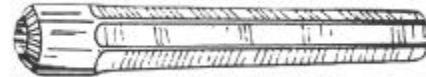
The catapunch consists of a pointed head mounted on a coiled spring shaft. It is used to mark centers on metal or wood without the use of a hammer.

METAL CUTTING PUNCH



The metal cutting punch has an open, sharpened edge on one end and a solid shaft on the other end. The center portion of the punch is bowed for catching the metal scrap. The metal cutting punch ranges in size from 1/4 inch to 1 inch. Metal cutting punches are used to punch holes in thin sheet metal and require the use of a mallet or machinists hammer.

TINMEN'S HOLLOW PUNCH



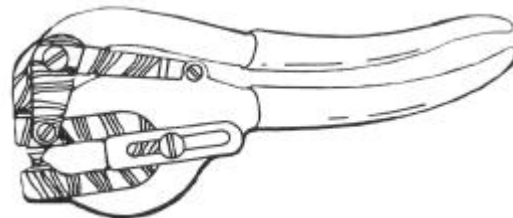
The tinmen's hollow punch has a solid metal shank terminating in a sharpened, hollowed end. It is used to punch holes through thin sheet metal.

SHEET METAL PUNCH



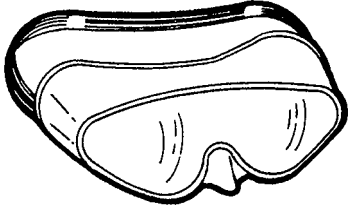
The sheet metal punch is a heavy-duty steel punch approximately seven inches in length. It tapers to a fine point and must be struck to produce the hole. It is used to punch holes through sheet metal to take fastenings.

LEVER PUNCH



The lever punch incorporates an interchangeable punch and a matching die or "anvil." The die backs up the material, prevents distortion, and leaves a clean hole. This type of punch is used to punch small round holes near the edges of metal or leather material.

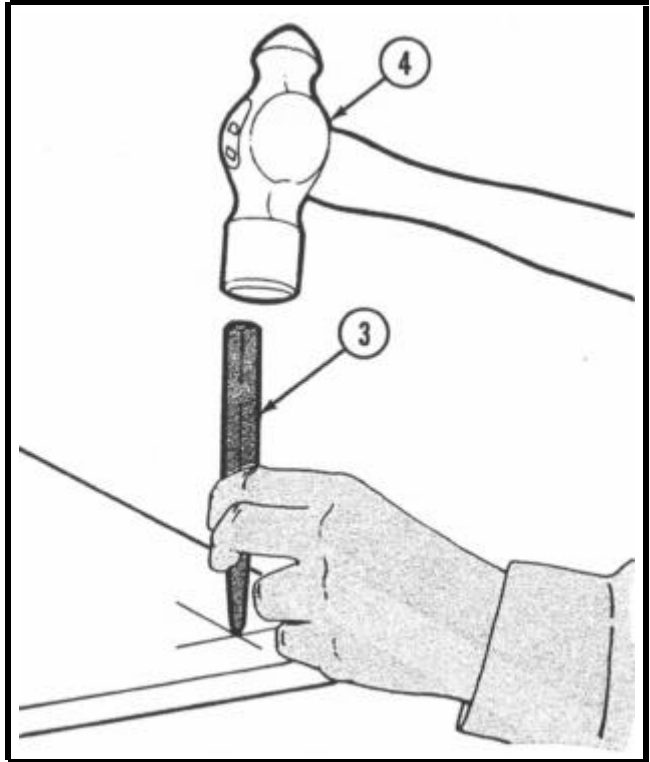
USING A CENTER PUNCH



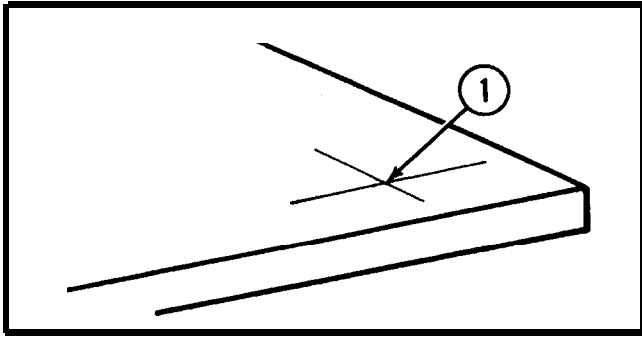
WARNING
WEAR EYE PROTECTION

NOTE

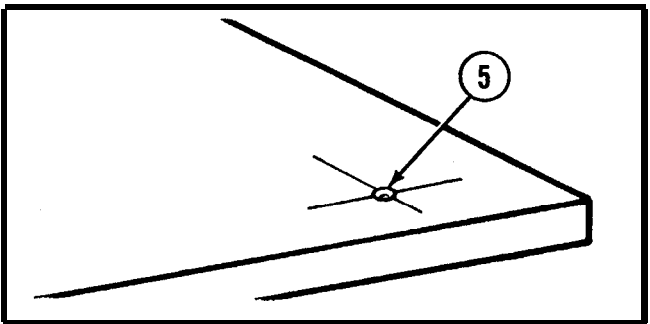
The procedure which follows is only one of many uses of a hand-held center punch.



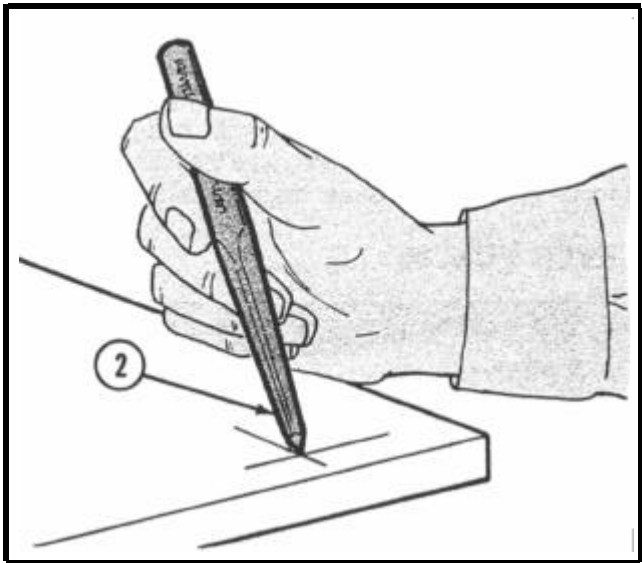
3 Position the punch upright and strike the blunt end (3) of the punch with a hammer (4).



1 Mark the material to be punched with an "X" (1).



4 Remove the punch and check your mark (5). If it is not in the center of the "X," or not deep enough, you will have to repeat the procedure.

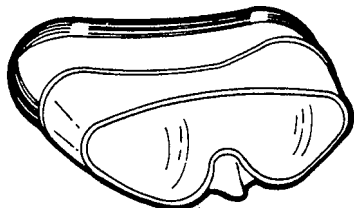


2 Hold the punch (2) over the mark. Tilt it so that you can align the tip with the center of the "X."

USING A DRIFT PUNCH

NOTE

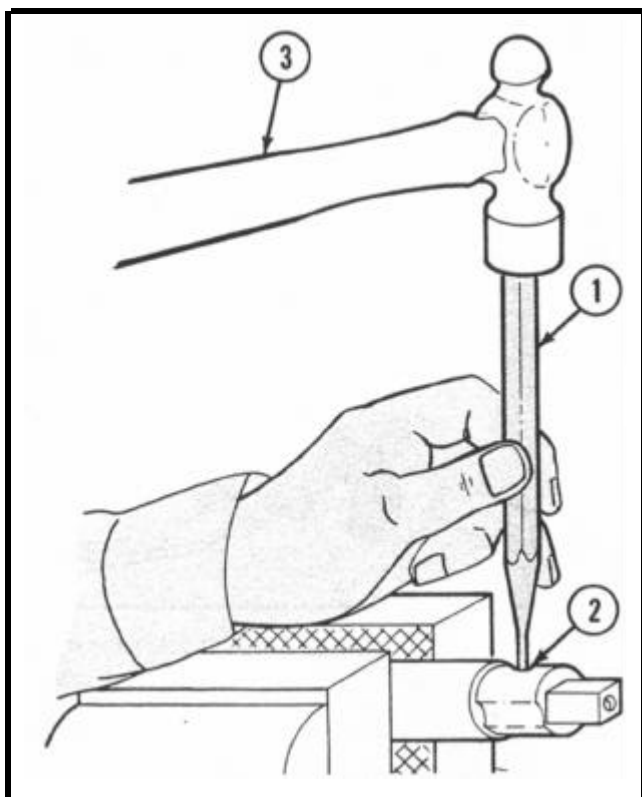
The removal of a pin from a shaft is only one of many uses for a drift punch.



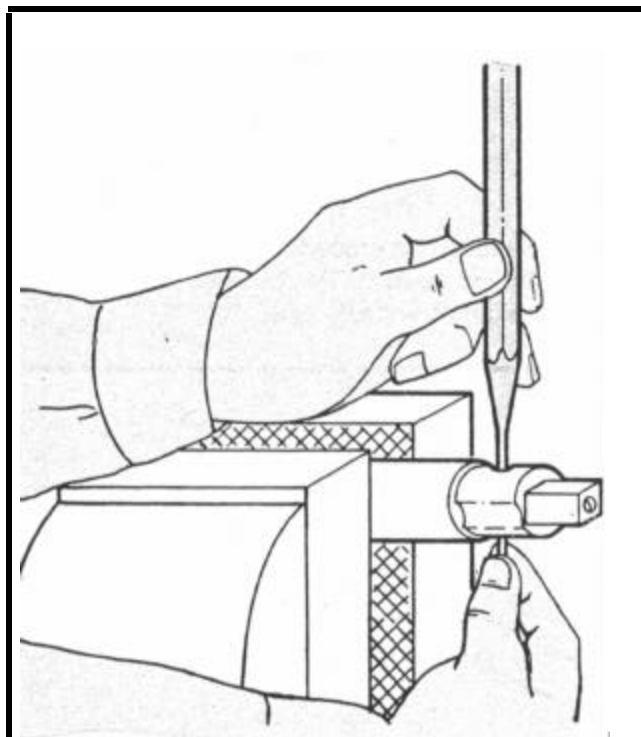
WARNING

WEAR EYE PROTECTION.

- 1 Select a punch which is slightly smaller than the pin which is to be removed. Care must be taken when selecting a punch for removing a split pin. If the punch is too small, it may become lodged in the pin.

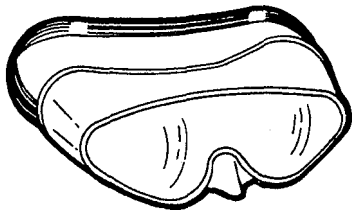


- 2 Hold punch (1) centered over pin (2). Tap punch lightly with hammer (3). This should move the pin. It may be necessary to apply penetrating oil to the pin before it will move.



- 3 Catch the pin before it falls out of the Shaft. When the pin is about half way out of the shaft, you can let go of the punch.

USING AN ALIGNMENT PUNCH

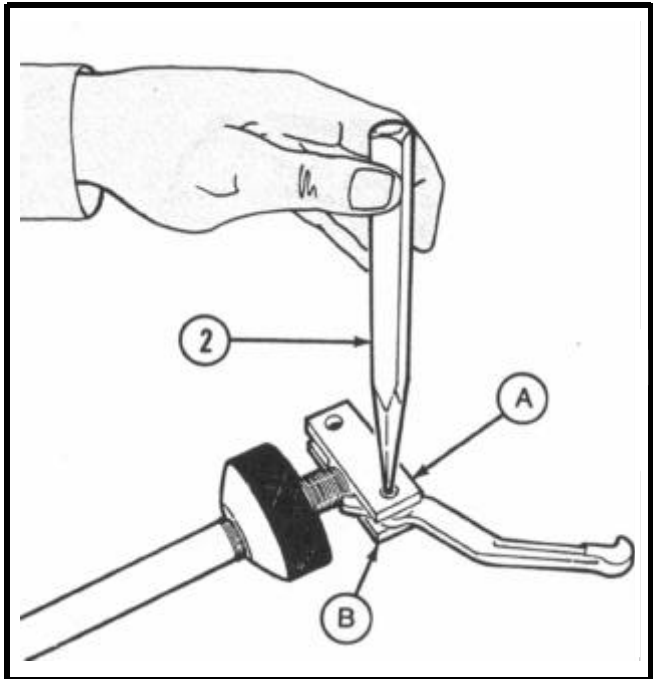


WARNING

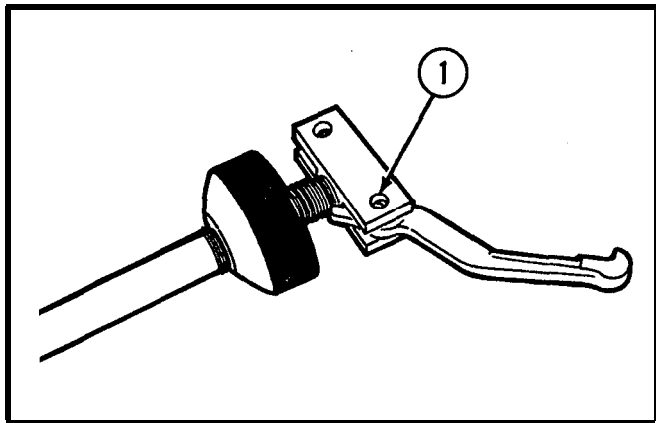
WEAR EYE PROTECTION.
DO NOT STRIKE THIS PUNCH WITH A HAMMER.

NOTE

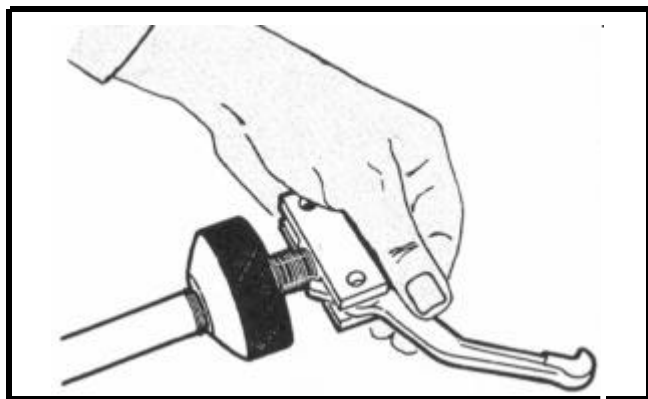
The following procedure is for using an alignment punch. This tool, unlike others, has only one basic use.



- 2 Insert tip of punch (2) through hole in part A using only hand pressure, and move punch and part A until you can get the tip of the punch into part B.



- 1 Select a punch having a smaller diameter than the smallest hole (1) to be aligned.



- 3 Hold the assembled parts while you remove the punch. Proper use of an alignment punch prevents damaging threaded parts.
- 4 Place screw in alined holes and tighten.

CARE OF PUNCHES

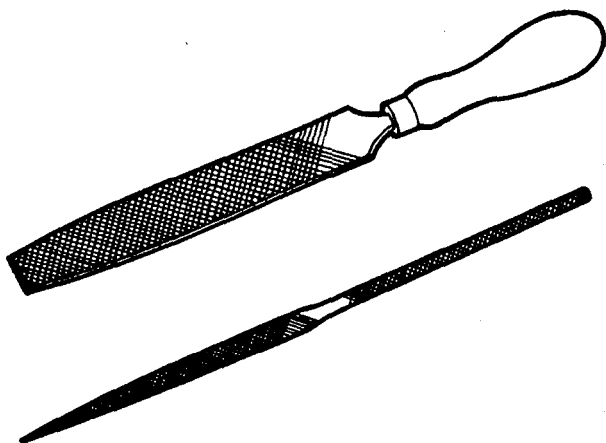
1. Clean punches with a clean rag after each use,
2. Apply a light coat of oil before storing.
3. Store punches in racks, tool rolls, or in your tool box so that the edges will not be damaged.
4. Replace punches that have mushroomed ends.

Chapter 28 FILES

HOW TO CHOOSE AND USE THEM

The "Types and Uses" section provides you with a list of some of the types of files. These pages should help you select the right file to do the job.

The "Using" section tells you how to use the file to perform the desired function. The "Care" procedures tell you how to care for the items.

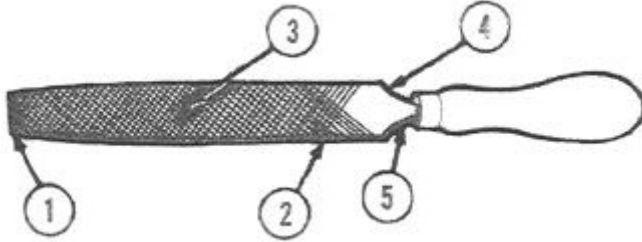


INDEX

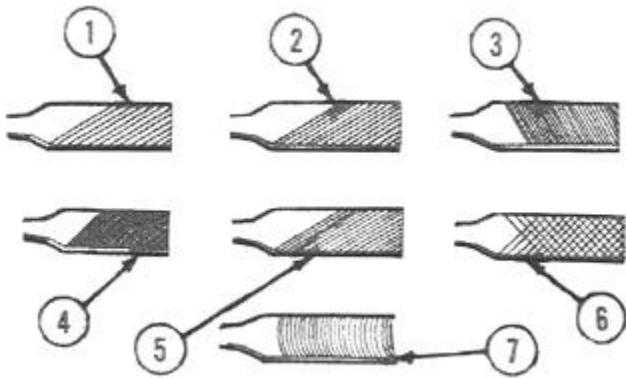
<i>Item</i>	<i>Page</i>
TYPES AND USES	28-2
American pattern file	28-2
Mill file	28-2
Pillar file	28-2
Round file	28-2
Square file	28-2
Taper file	28-2
Three-square file	28-2
Warding file	28-3
Curved-tooth file	28-3
Swiss pattern file	28-3
SAFETY	28-3
USING	28-4
CARE	28-5
Replacing the handle	28-6

TYPES AND USES

Files are used for cutting, smoothing off, or removing small amounts of metal, wood, plastic, or other material. Files are made in various lengths, shapes, and cuts. Every file has five parts: the point (1), edge (2), face or cutting teeth(3), heel or shoulder (4) and tang (5). The tang is used to attach the handle on American pattern files. The tang is shaped into a handle and is usually knurled on Swiss pattern files.



AMERICAN PATTERN FILE



American pattern files are generally used for fast removal of material and where a precision finish is not required. Grades of coarseness are bastard-cut for heavier work (1), second-cut (2) and smooth-cut (3) for finishing work, and dead smooth-cut (4) for an extra fine finish. American pattern files come with single-cut (5), double-cut (6), or curved-cut teeth (7). Single-cut files are used with light pressure for smooth surfaces or to put a keen edge on cutting surfaces. Double-cut files are used under heavier pressure and where a rougher finish is permissible. Curved-tooth files are cut in a contour across the face and are used to smooth surfaces on aluminum, bronze, lead, babbitt, zinc, and plastics.

MILL FILE



Mill files are tapered to the point in width and thickness for about one-third of their lengths. They are single-cut

with one uncut edge. They are used to sharpen mill or circular saws, and for draw-filing or finishing metals.

PILLAR FILE



Pillar files are similar to hand files in general shape, but are much narrower. They are double-cut with one uncut edge. Pillar files are used to file in slots and keyways.

ROUND FILE



Round files taper slightly toward the point.

Bastard-cut files 6 inches and longer are double-cut. The second-cut files, 12 inches and longer, are double cut. All others are single-cut. Round files are used for filing circular openings or concave surfaces.

SQUARE FILE



Square files taper slightly toward the point on all four sides and are double-cut. They are used for filing rectangular slots and keyways.

TAPER FILE



Taper files, or triangular files, are tapered toward the point on all three sides. They are used for filing saws having 60 degree angle teeth. Taper files come in regular, slim, extra slim, and double extra slim and usually are single-cut.

THREE-SQUARE FILE



Three-square files are tapered toward the point on all three sides and are double-cut. They are used for filing internal angles, and for cleaning out square corners.

TYPES AND USES - Continued

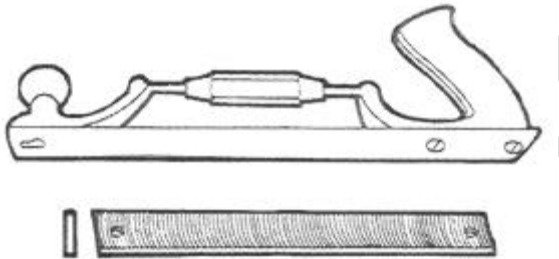
WARDING FILE



Warding files are tapered to a point for narrow space filing. They have double-cut faces and single-cut edges. Warding files are used for lock repair or for filing ward notches in keys.

CURVED-TOOTH FILE

Curved-tooth files, also known as mill-toothed files, are generally used on aluminum and sheet steel and on flat or curved surfaces. They are also used for smooth, rapid work on bronze, lead, babbitt, zinc, and plastic.



Flat, flexible, curved-tooth files do not have tangs and are made for easy mounting on a file holder. The file holder is adjustable for concave or convex surfaces. Flat, flexible, curved-tooth files come in fine-cut and standard-cut teeth.



Flat, rigid, curved-tooth files are self-cleaning and used for filing flat surfaces on cast iron, lead, babbitt, aluminum, zinc, and plastic. They come in smooth-cut and standard-cut teeth.



Half-round, rigid, curved-tooth files are flat on one side and convex on the other. They are used for filing concave surfaces and bearings. They come with standard-cut teeth.

SWISS PATTERN FILE



Swiss pattern files are made to more exact measurements than American pattern files. They are primarily finishing tools used on all sorts of delicate and intricate parts. Swiss pattern files come in a variety of styles, shapes, sizes, and double and single cuts to insure precision smoothness.



These files are usually supplied in sets. The most common set consists of twelve assorted files in a set which are marking (half-round), square, slitting, knife, joint (round edge), crossing (oval), barrette, flat, equaling, half-round, three-square (triangular), and round.

Swiss pattern files are made in seven cuts, Nos. 00, 0, 1, 2, 3, 4, and 6. They are most often used for fitting parts of delicate mechanisms, and for tool and die work.

SAFETY

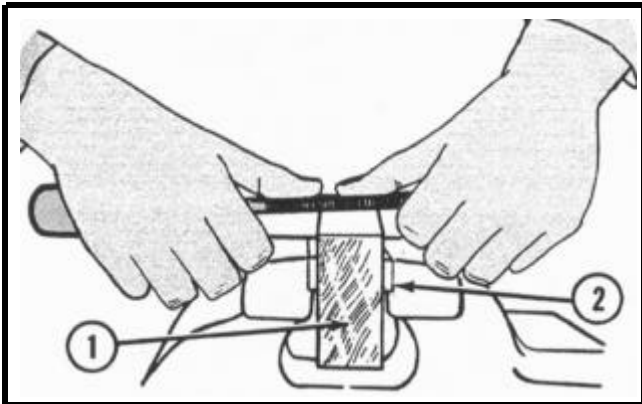
1. If a file is designed to be used with a handle, do not attempt to use it without the handle. Holding the sharp tang in your hand while filing can cause serious injury.
2. Do not use a file for prying. The tang end is soft and it bends easily. The body of the file is hard and very brittle. A light bending force will cause it to snap.
3. Do not hammer on a file. This is very dangerous because the file may shatter.

USING A FILE

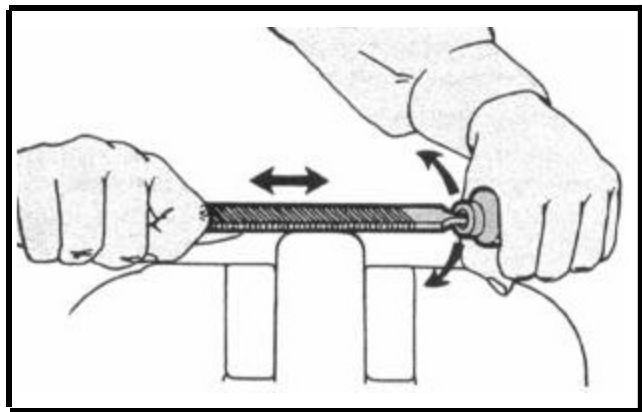
SELECTING PROPER FILE

1. For heavy, rough cutting, use a large, coarse, double-cut file.
2. For finishing cuts, use a second or smooth-cut, single-cut file.
3. When working on cast iron, start with a bastard-cut file and finish with a second-cut file.
4. When filing soft metal, start with a second-cut file and finish with a smooth-cut file.
5. When filing hard steel, start with a smooth-cut file and finish with a dead-smooth file.
6. When filing brass or bronze, start with a bastard-cut file and finish with a second or smooth-cut file.
7. When filing aluminum, lead, or babbitt metal, use a standard-cut curved-tooth file.
8. For small work, use a short file. For medium-sized work, use an 8-inch file. For large work, use a file that is most convenient.

METHOD OF FILING



1. Clamp the work (1) securely in a vise so that the area to be filed is horizontal and is parallel to and projecting slightly above the vise jaws (2).
2. Hold the file handle in one hand, thumb on top, and hold the end of the file with the fingers of the other hand.



3. When filing hard metals, apply pressure on the forward stroke only. Unless the file is lifted from the

work on the return stroke, it will become dull much sooner than it should.

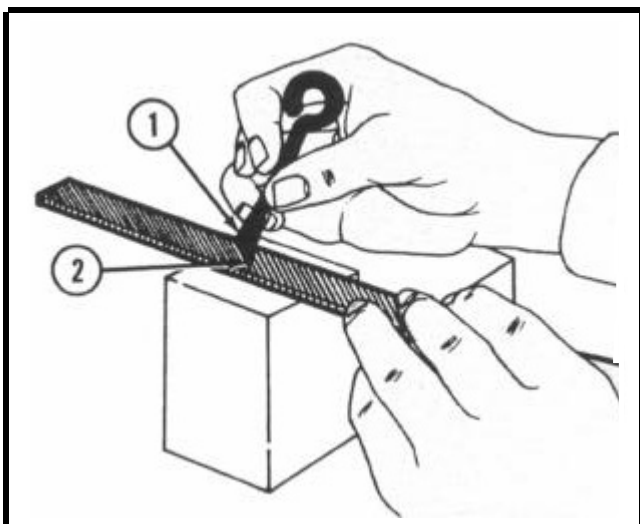
4. When filing soft metals, using pressure on the return stroke helps keep the cuts in the file clean.
5. Use a rocking motion when filing round surfaces.
6. When using a new file, applying too much pressure will cause the teeth to break off. Do not force the file. File slowly, lightly, and steadily. Too much speed and too much pressure causes the file to rock, rounding off the corners of the work.

DRAW FILING

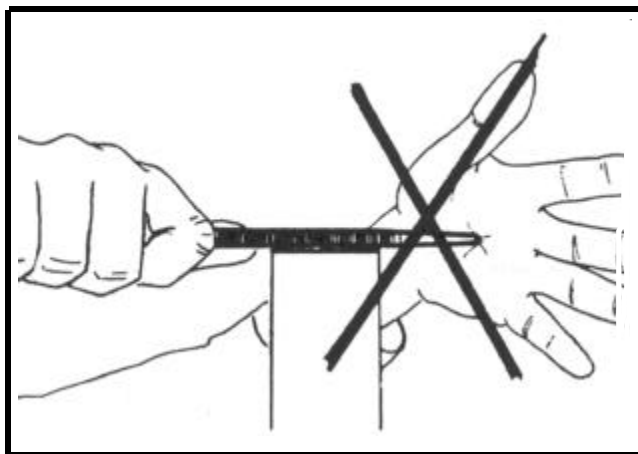
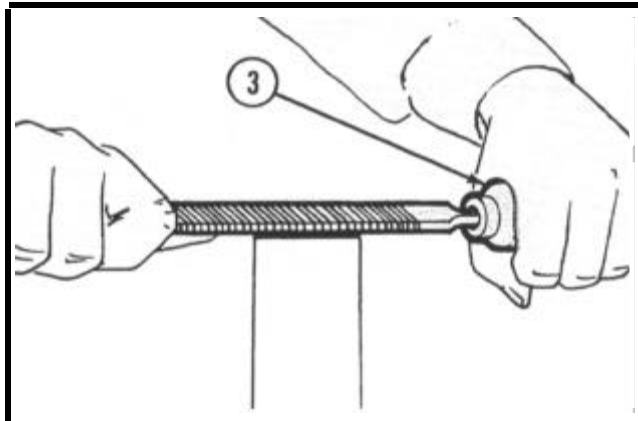
1. Draw filing is used to produce a very smooth and true surface. Hold the file at right angles to the direction of the strokes, keeping your hands close together to prevent bending and breaking the file.
2. Pressure should not be great and can remain the same on the back stroke as on the draw stroke. The speed of filing is not important.
3. For extra smooth surfaces, wrap a piece of emery cloth around the file and stroke in the same manner.

CARE OF FILES

1. A new file should be broken in by using it first on brass, bronze, or smooth iron.
2. Never use a new file to remove the fins or scales on cast iron.
3. Do not use a new file on a narrow surface such as sheet metal, because the narrow edge of the metal is likely to break off the sharp points on the file teeth.
4. After using a new file, the teeth will clog up with metal filings.
5. Using a clogged file will scratch the work. This condition is called pinning.
6. One way to help prevent pinning is by rubbing chalk between the teeth before filing.
7. The best method to keep the file clean is to use a file scorer and file cleaner brush.



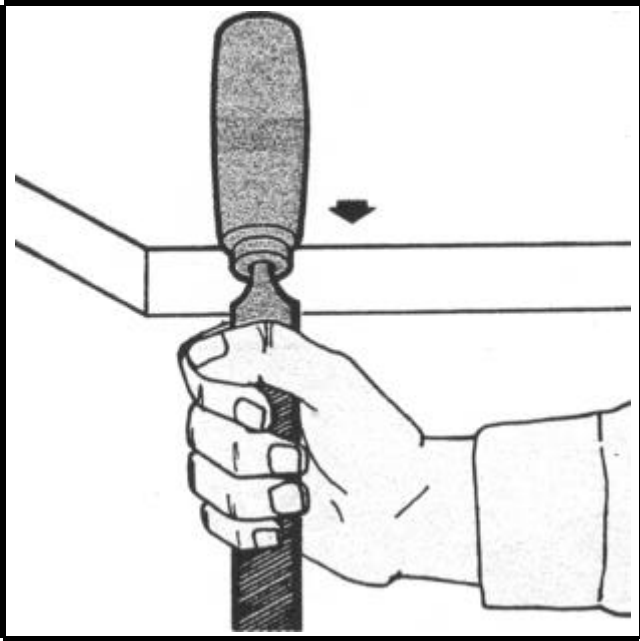
8. When cleaning a file with a file scorer (1), use a pulling motion, holding the file scorer blade parallel to the rows of teeth (2).
9. Finish cleaning by brushing the file parallel to the rows of teeth, with the file cleaner brush.
10. Do not throw files into a drawer or toolbox where they can rub against each other or against other tools. Store them in separate holders such as clips, straps, or in holes cut in a block of wood.
11. Clean files often.



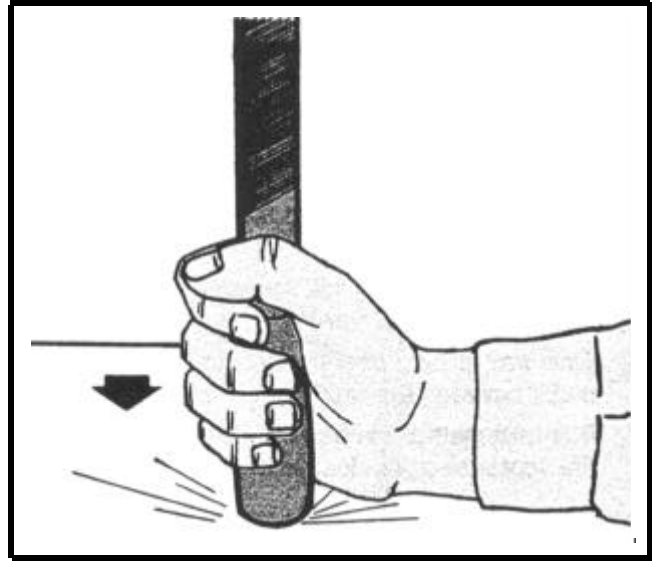
12. Never use a file without a securely attached handle (3), unless it is of the Swiss pattern type.
13. Do not use files for any other use except filing.
14. Do not oil files. This will cause the file to slide across the work, preventing fast cutting.
15. Never strike the file against a vise or other object to remove filings. Use the file cleaner brush.
16. Never store files with lubricants or rust-preventive compounds on them. Wrap each file in a waterproofed barrier wrapping paper and place the files in racks or boxes so that the faces or edges of the files will not touch each other.

CARE OF FILES - Continued

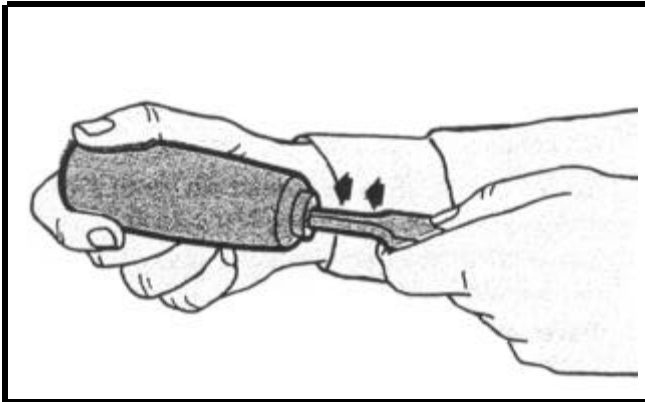
REPLACING THE HANDLE



1. To remove a handle, hold the file with one hand. Pull the file from the handle while striking the ferrule end of the handle against the edge of a bench.



3. Tap the handle on the bench top until the file is seated.



CAUTION

NEVER HAMMER A FILE INTO ITS HANDLE.

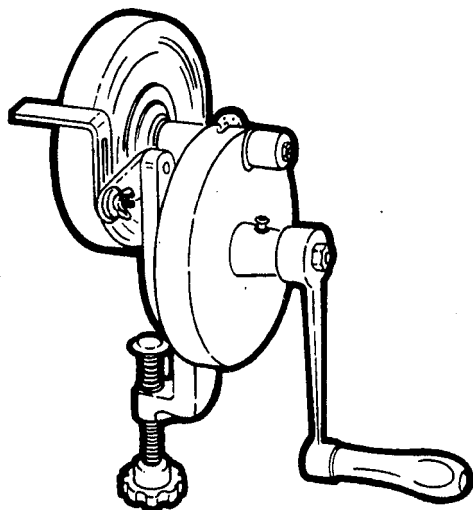
2. To install a new handle, insert tang end of file into handle socket exerting pressure with your hands.

Chapter 29 GRINDERS AND SHARPENING STONES

HOW TO CHOOSE AND USE THEM

The "Types and Uses" section provides you with a list of some of the types of grinders and sharpening stones. These pages should help you select the right sharpening instrument to do the job.

The "Using" section tells you how to use the sharpening instrument to perform the desired function. The "Care" procedures tell you how to care for the items.



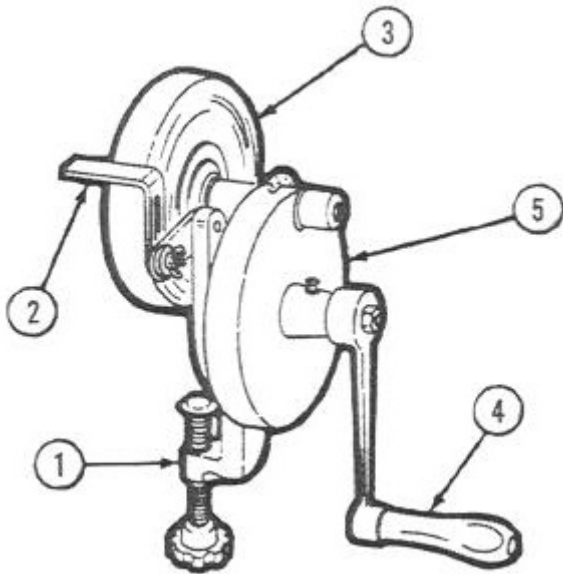
INDEX

<i>Item</i>	<i>Page</i>
TYPES AND USES	29-2
Bench grinder	29-2
Valve grinder	29-2
Sharpening stones	29-3
USING	29-3
CARE	29-6

TYPES AND USES

Grinders are mechanical devices which allow you to reshape, form, and sharpen metal cutting tools or other tools. A grinder consists of an abrasive wheel mounted on a rotatable shaft. The abrasive wheels are available in varying degrees of coarseness, depending upon type of metal to be ground. Sharpening stones may be either natural or artificial. Natural stones are of a finer grain than the artificial stones.

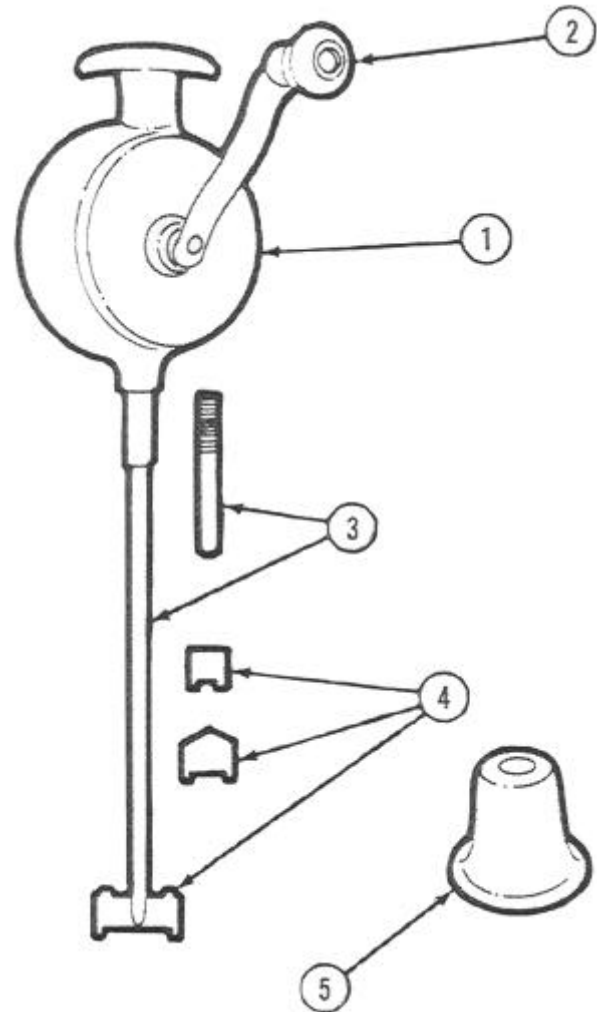
BENCH GRINDER



Bench grinders are used for reshaping and sharpening chisels, drills, hatchets, and other similar small hand tools.

The bench grinder consists of a clamp (1), a rest (2), an abrasive wheel (3), a handcrank (4), and an encased gearing assembly (5). The clamp is used for fastening the grinder to a working surface. The rest supports tools which are being ground. It is adjustable and may be moved from side to side. The abrasive wheel may be changed depending upon the type of metal being ground.

VALVE GRINDER

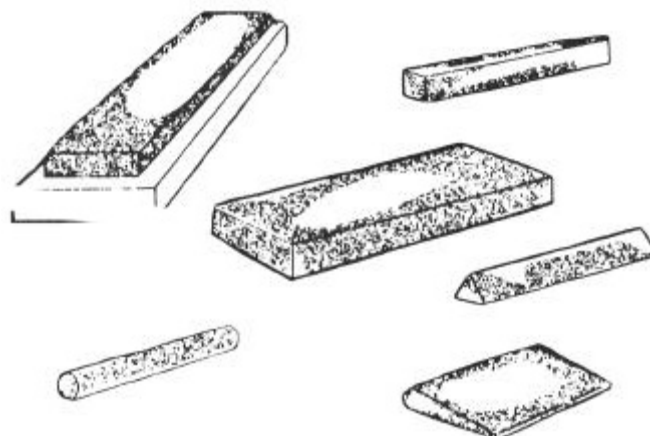


The valve grinder is a hand-operated special grinder. It is used for grinding the valve seating surfaces on combustion engines. It grinds with cutting blades on a rotating shaft instead of an abrasive wheel. It consists of an encased gear housing (1), a handcrank (2), interchangeable shafts (3), cutting blades (4), and a suction cup (5). The suction cup is used in place of a blade to grind non-slotted valves to fit seating surfaces.

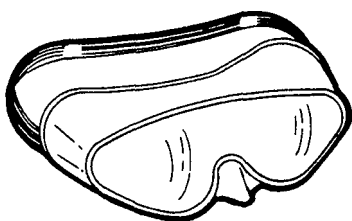
TYPES AND USES - Continued

SHARPENING STONES

Sharpening stones usually have one coarse face and one fine face. This could combine the coarse artificial stone with the fine natural stone. The coarse edge is used to remove nicks and to reshape the tool being sharpened. The fine edge is used to complete the sharpening process and put a keen edge on the tool. Sharpening stones are available in various shapes and sizes, as shown.



USING A BENCH GRINDER



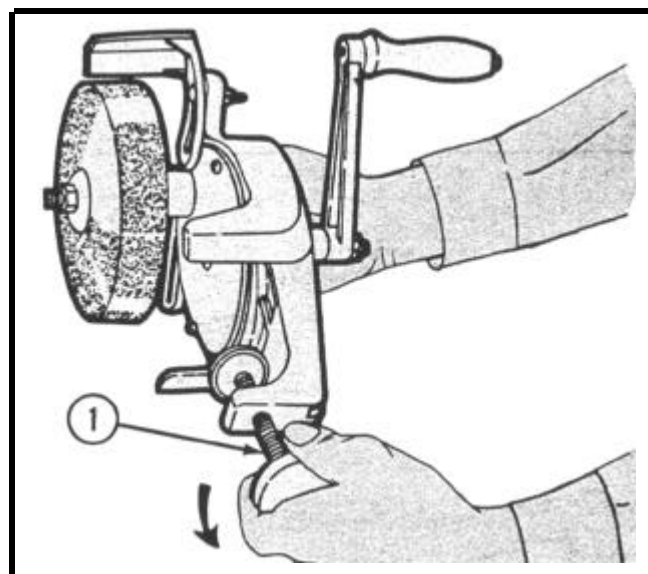
WARNING

WEAR EYE PROTECTION AND WATCH THE FINGERS.

HOLD TOOLS BEING SHAPED FIRMLY, SO THEY WILL NOT CATCH IN ABRASIVE WHEEL AND CAUSE INJURY.

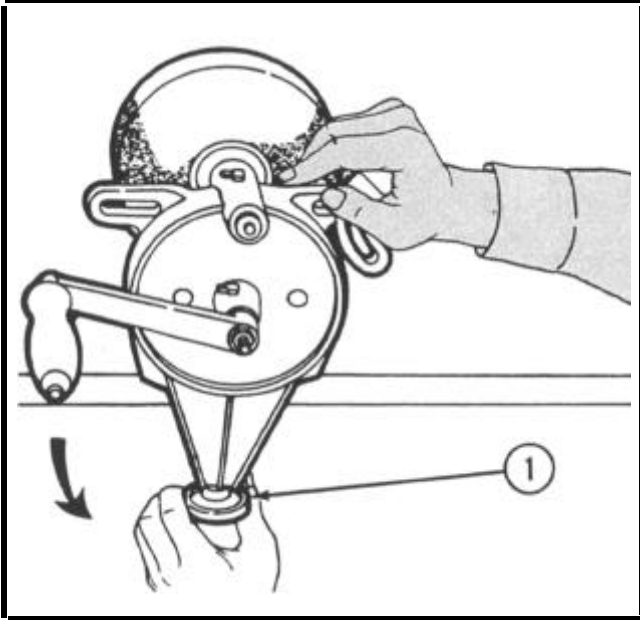
CAUTION

Never use a cracked wheel. Before using a wheel, tap it lightly with a mallet. A ringing sound indicates that the wheel is satisfactory; a dull sound indicates that the wheel may be cracked.

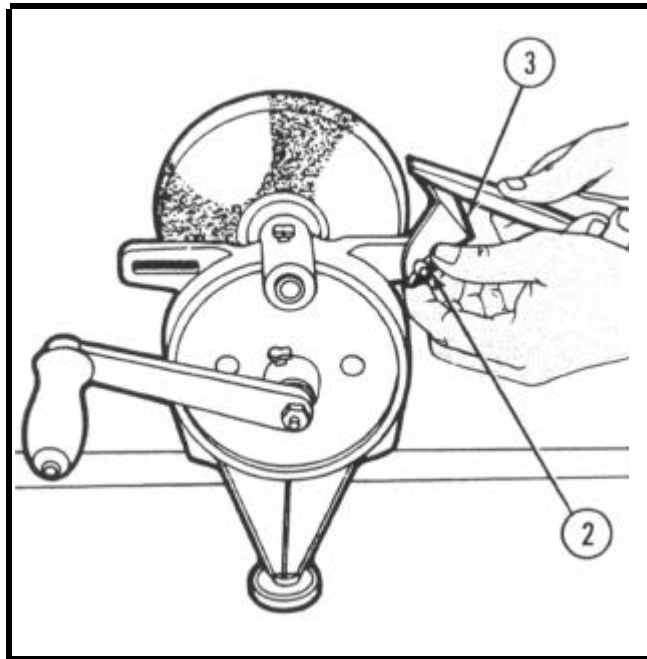


- 1 Before using, inspect the grinder and abrasive wheel, checking for cracks or breaks on exposed surfaces.
- 2 Unscrew the mounting clamp (1) to allow the grinder to be positioned on the bench.

USING A BENCH GRINDER - Continued



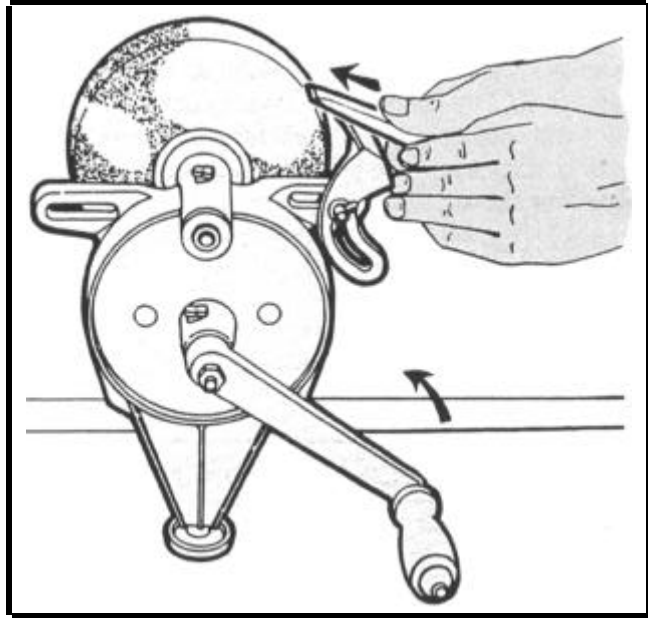
- 3 Position grinder where it will be used and tighten the mounting clamp (1) to hold securely on the bench.



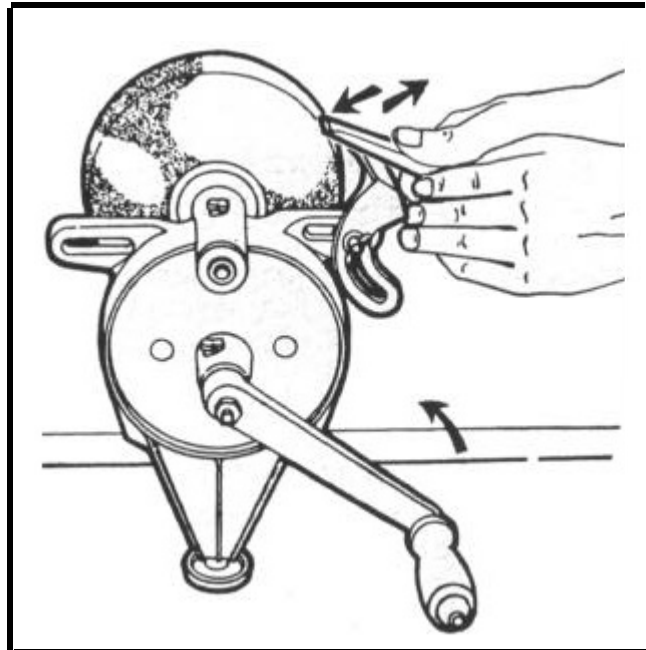
- 1 Loosen the wing nut (2) on the rest (3). Adjust the rest (3). Tighten the wing nut (2).
 2 Support the tool to be ground on the rest (3).

NOTE

Since user must use both hands to hold tool to the wheel, another person is required to turn the handcrank in a counterclockwise direction.

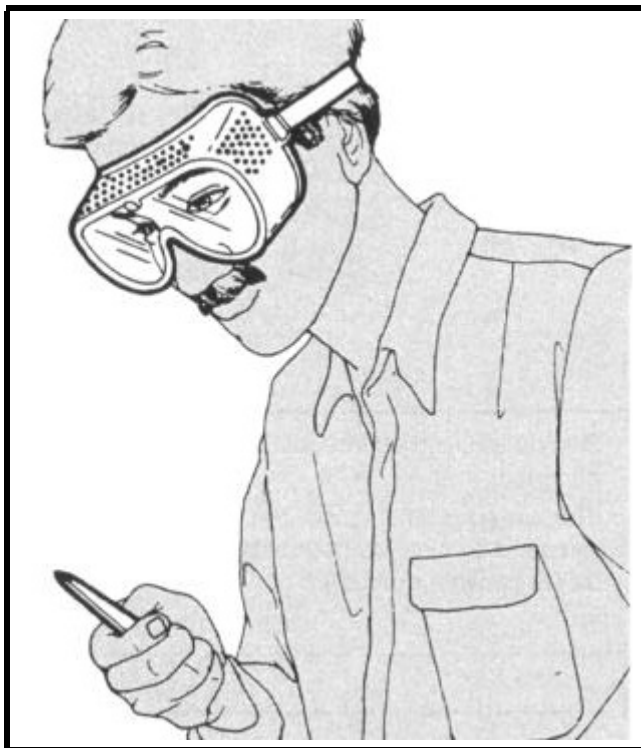


- 6 Rotate the handcrank and move the tool forward until it makes contact with the wheel.

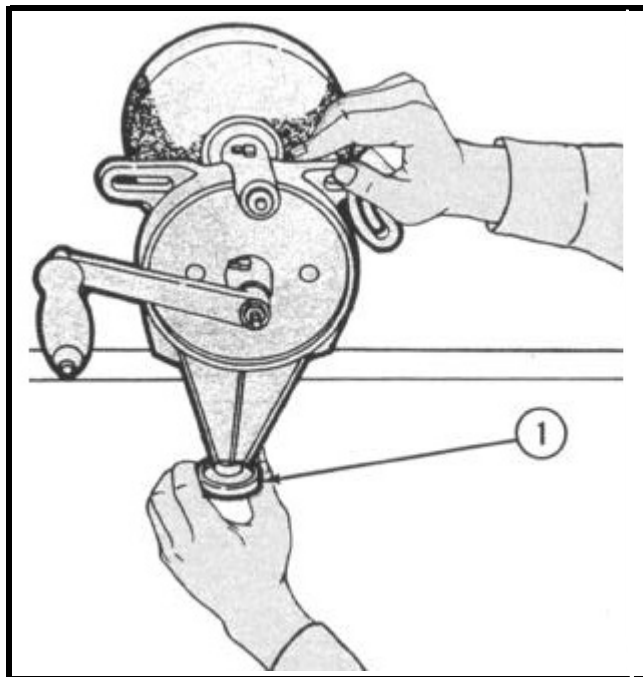


- 7 Move the tool back and forth across the abrasive wheel face to be sure of an evenly ground surface.

USING A BENCH GRINDER - Continued



- 8 Stop grinding occasionally to check for the desired edge.

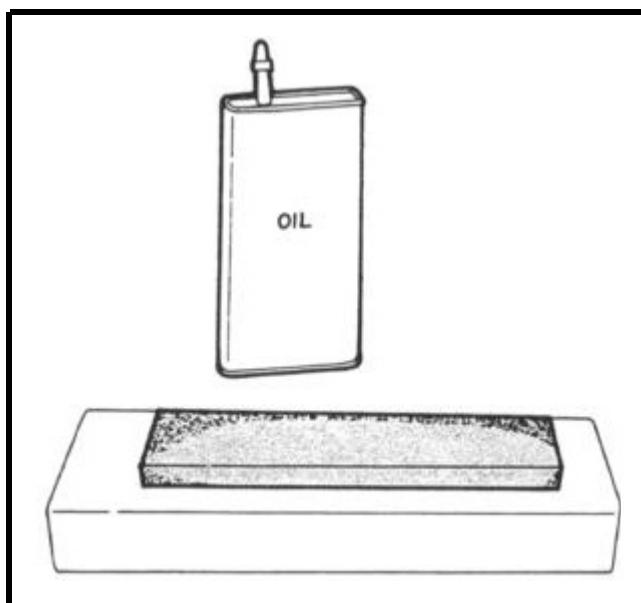


- 9 When the desired edge is obtained, you are finished. Remove grinder from bench by loosening the clamp (1). Store grinder in its designated storage area.

USING A SHARPENING STONE

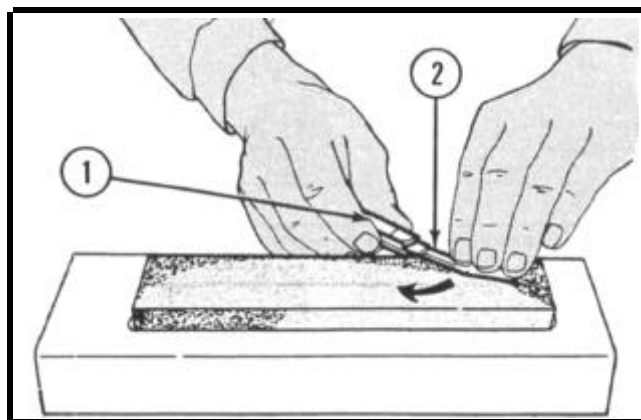
NOTE

Unless stone is already oil-impregnated, apply a light coat of oil before and during use.



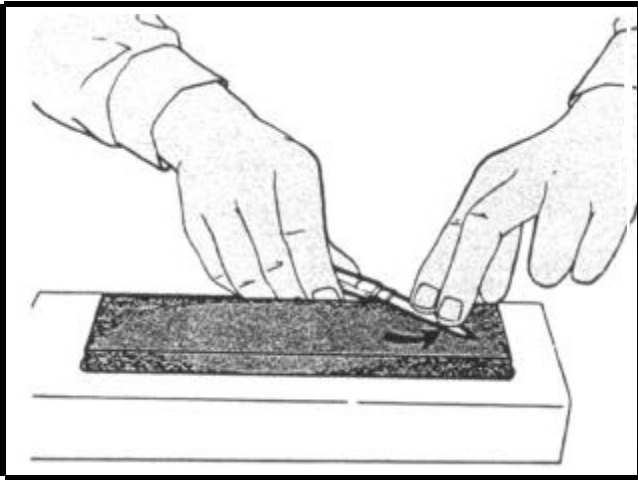
WARNING

KEEP YOUR FINGERS CLEAR OF THE HINGE AREA OF A POCKET KNIFE.

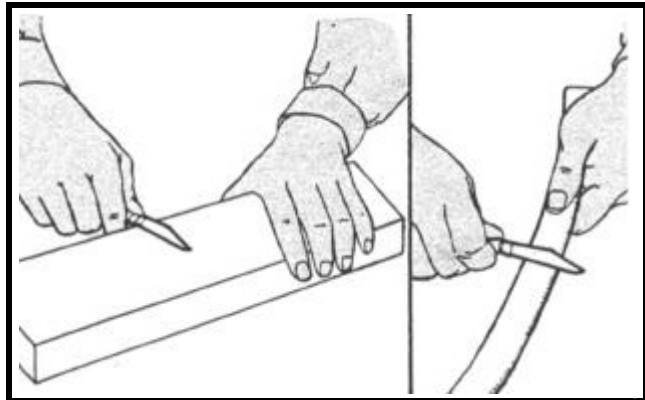


- 1 Hold the handle (1) of the blade to be sharpened in one hand and extend the blade (2) across the stone.
- 2 Press down on the blade with the fingers of the other hand.
- 3 With a circular motion, stroke the blade with the sharp edge trailing.

USING A SHARPENING STONE - Continued

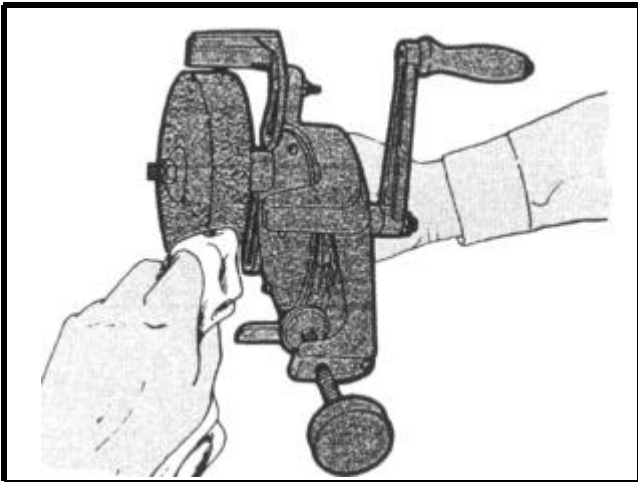


- 4 After several strokes, reverse the blade and stroke the other side in a similar manner. Use light, even pressure.



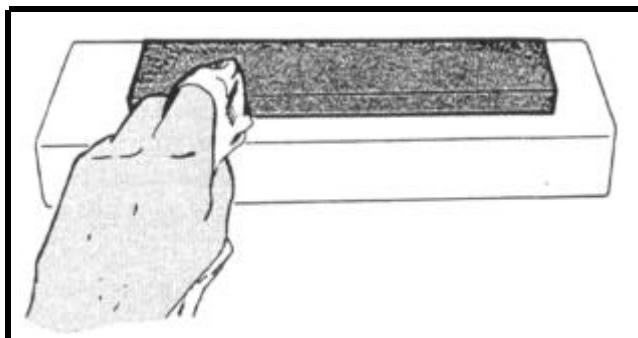
- 5 Repeat stroking action until the desired edge is obtained.
- 6 The wire edge left on blade by using a stone may be removed by stroking both sides on a soft wood block, canvas, or leather.

CARE OF BENCH GRINDERS



1. Wipe oil and grease from all outside surfaces before and after each use.
2. Tighten all housing screws before and after each use.
3. Before using, check to be sure that the abrasive wheel is not cracked or broken.

CARE OF SHARPENING STONES



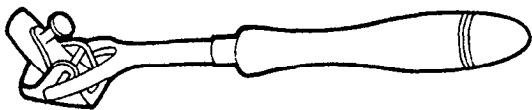
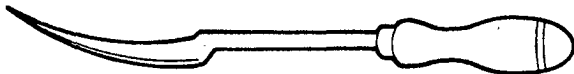
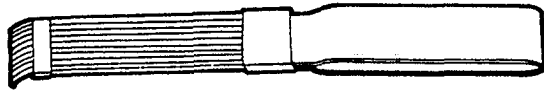
1. Prevent glazing of stone by applying light oil while using.
2. Wipe excess oil and grit from stone with a clean rag after each use.
3. Clean stone with dry cleaning solvent when it becomes glazed or gummed up.
4. Store in a clean dry place and/or wrap in clean cloth.

Chapter 30 SCRAPERS

HOW TO CHOOSE AND USE THEM

The "Types and Uses" section provides you with a list of some of the types of scrapers. These pages should help you select the right scraper to do the job.

The "Using" section tells you how to use the scraper to perform the desired function. The "Care" procedures tell you how to care for the items.



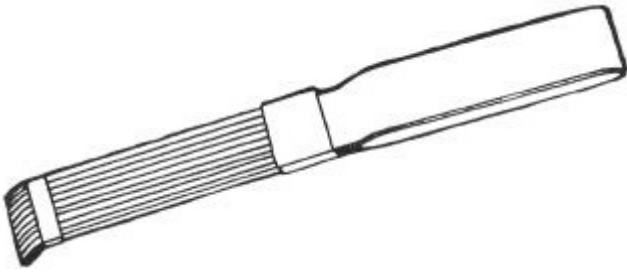
INDEX

<i>Item</i>	<i>Page</i>
TYPES AND USES	30-2
Carbon scraper	30-2
Bearing scraper	30-2
Box scraper	30-2
Flat blade scraper	30-2
Triangular blade scraper	30-2
SAFETY	30-3
USING	30-3
CARE	30-3

TYPES AND USES

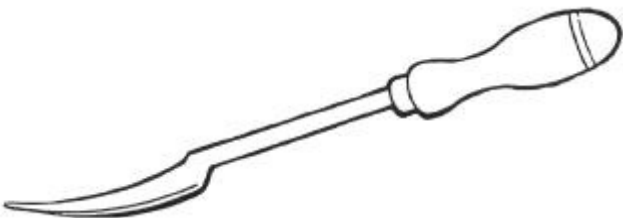
Scrapers are made in different shapes for various types of work. Some scrapers are used for trueing metal, wood, and plastic surfaces which have been machined or filed. Other scrapers are made to remove paint, stencil markings, and other coatings from various surfaces.

CARBON SCRAPER



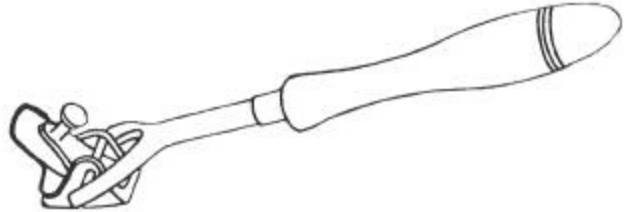
A carbon scraper is used to clean carbon from, cylinder heads, pistons, and other metal surfaces. It is flexible and has an overall length of approximately 9 inches. The carbon scraper consists of ten round spring steel blades, and their flexibility is controlled by a sliding ferrule.

BEARING SCRAPER



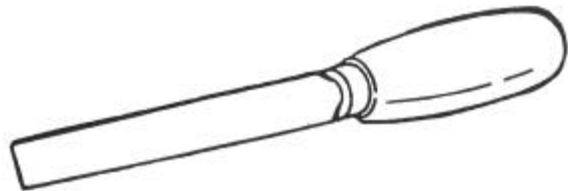
Bearing scrapers are used to scrape babbitt metal bearings. Bearing scrapers come with 1-1/2, 2, and 4-inch cutting edges.

BOX SCRAPER



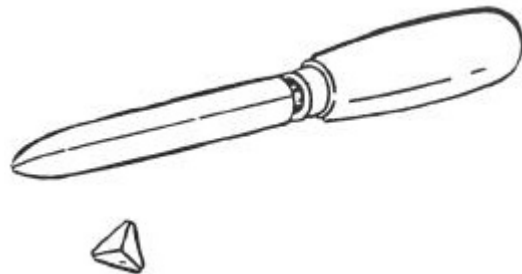
Box scrapers are most generally used to scrape stencil markings from wood surfaces. They are also used as wood floor scrapers. The box scraper has a 2-inch blade and a 9-inch handle hinged at the blade. The bottom of the scraper and the edge of the cutter are convex so that corners do not scratch up the work. The blade can be adjusted by loosening the thumbscrew and extending or withdrawing the blade in its holder.

FLAT BLADE SCRAPER



Flat blade scrapers are used for removing high spots from flat surfaces only.

TRIANGULAR BLADE SCRAPER



Triangular blade scrapers are used for removing high spots from flat or curved surfaces. They are available with either a 4 or 6-inch blade.

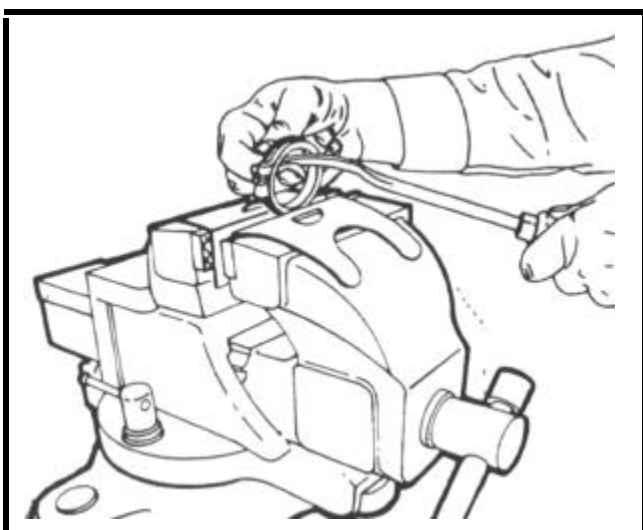
SAFETY

1. Keep work, scraper, and hands free from grease and oil when using a scraper.
2. Keep scrapers sharp at all times, (except the carbon scrapers), since a dull scraper is more apt to slip and cause injury.
3. Use the scrapers only for their intended purposes.

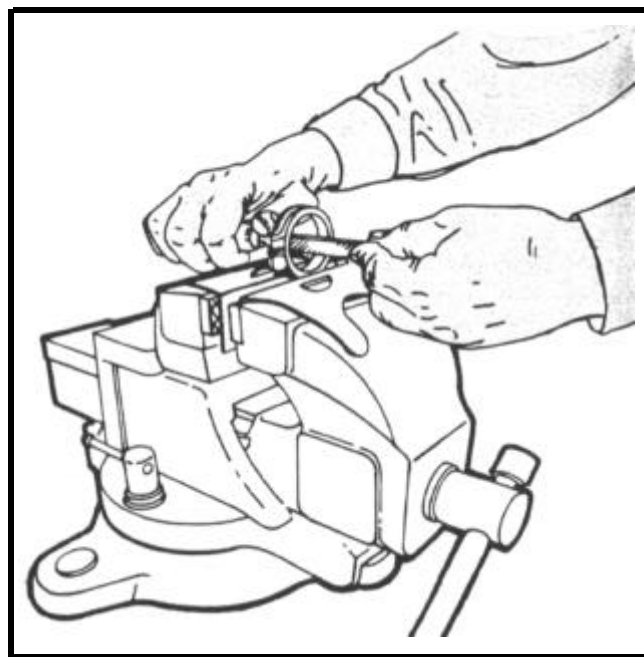
NOTE

Carbon scraper blades are fairly dull to prevent scoring of a piston and/or cylinder wall.

USING A BEARING SCRAPER



- 1 Place the bearing to be scraped on a bench or other suitable working surface.
- 2 Use both hands on the bearing scraper. One hand should be at the end of the handle while the other hand steadies the tool.
- 3 Use the hand at the end of the handle to twist the tool. Use very light pressure and remove a small amount of metal with the twisting stroke. If too much pressure is applied, the scraper will chatter and leave a rough, uneven surface.



- 4 Start at one top side of bearing cap. Work down, and then up to the top of the other side. Do not scrape lengthwise.
- 5 Repeat procedure until the required amount of material has been removed to fit the bearing onto the shaft.

CARE OF SCRAPERS

1. Keep scrapers sharp (except carbon scrapers) by sharpening or grinding.
2. When a scraper is not in use, coat the blade with a film of light oil.
3. Hang or store scrapers separately to protect the cutting edge. Do not throw scrapers in with other tools. This will damage the cutting edges.
4. For long-term storage, coat all metal parts with rust-preventive compound and store in a dry place.

NOTE

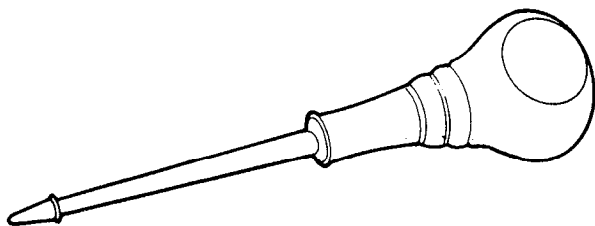
Carbon scraper blades are fairly dull to prevent scoring of a piston and/or cylinder wall.

Chapter 31 AWLS

HOW TO CHOOSE AND USE THEM

The "Types and Uses" section provides you with a list of some of the types of awls. These pages should help you select the right awl to do the job.

The "Using" section tells you how to use the awl to perform the desired function. The "Care" procedures tell you how to care for the items.



INDEX

<i>Item</i>	<i>Page</i>
TYPES AND USES	31-2
Saddler's awl	31-2
Scratch awl	31-2
USING	31-2
CARE	31-2

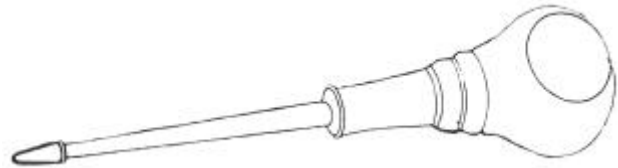
TYPES AND USES

SADDLER'S AWL



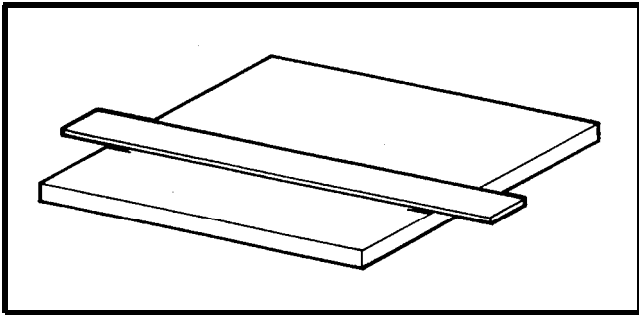
The saddler's sewing and stitching awl has a round wooden handle and interchangeable blades. The awl is used to punch holes in leather and as an aid during sewing. Cover points when not in use.

SCRATCH AWL

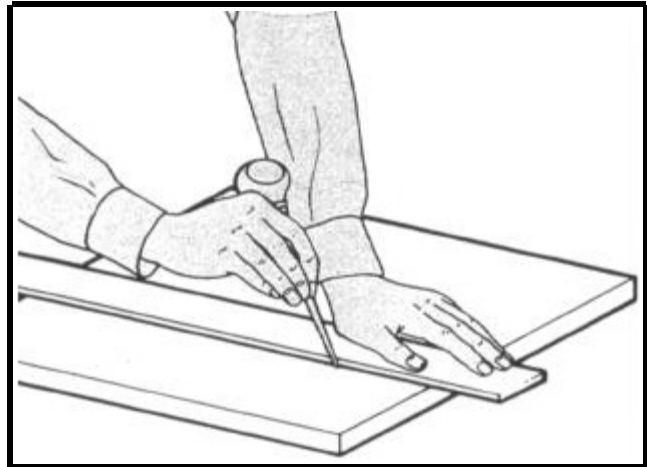


The scratch awl has a fixed tapered blade and a wooden handle. It is used to scribe marks or as a center punch on soft wood and plastics. Cover points when not in use.

USING A SCRATCH AWL



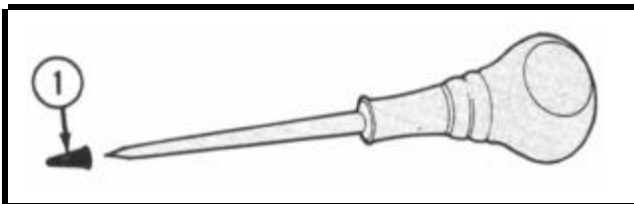
- 1 Place material to be scribed on a flat surface. Place a ruler or straight edge on guide marks. You will already have measured and marked where you want to scribe.



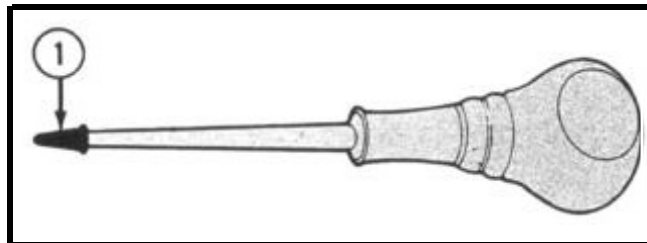
- 3 Hold straight edge firmly. Hold the awl like a pencil and scribe a line along the straight edge.

WARNING

AWLS ARE VERY SHARP AND MUST BE USED WITH EXTREME CAUTION



- 2 Remove the protective cover (1).



- 4 Replace protective cover (1).

CARE OF AWLS

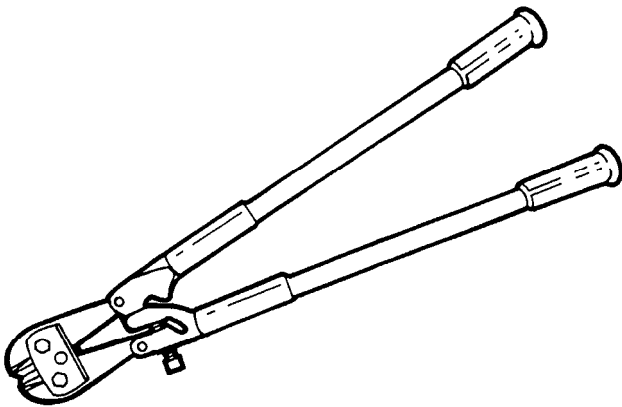
1. Keep points covered when not in use and stow awls in racks or in tool boxes.
2. Lightly oil metal parts before storing.

Chapter 32 BOLT AND CABLE CUTTERS

HOW TO CHOOSE AND USE THEM

The "Types and Uses" section provides you with a list of some of the types of cutters. These pages should help you select the right cutter to do the job.

The "Using" section tells you how to use the cutter to perform the desired function. The "Care" procedures tell you how to care for the item.



INDEX

<i>Item</i>	<i>Page</i>
TYPES AND USES	32-2
Center cut cutter	32-2
Clipper cut cutter	32-2
Shear cut, flat bar, and strip cutter	32-2
Side nut splitter cutter	32-3
Angular cut cutter	32-3
Shear cut cable cutter	32-3
SAFETY	32-4
USING	32-4
CARE	32-5

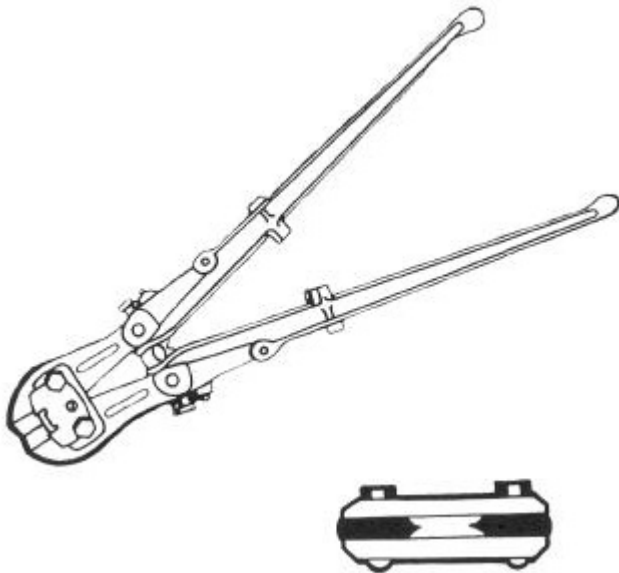
TYPES AND USES

WARNING

BOLT CUTTERS ARE CONSIDERED SECURITY ITEMS. ALWAYS SECURE, THESE TOOLS WHEN NOT IN USE.

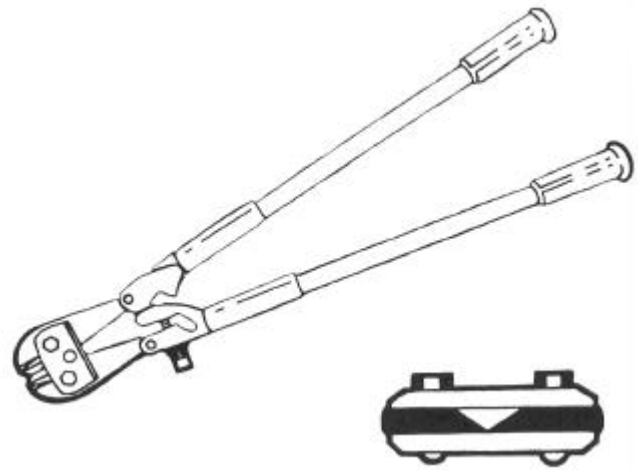
Bolt and cable cutters come with a variety of cutting edges which are designed for specific applications. They are shaped like giant shears with short blades and long handles. The handles are hinged at one end. The cutters are at the end of extensions, which are jointed in such a way that the inside joint is forced outwards when the handles are closed. This forces the cutting edges together with great force. Bolt cutters are made in lengths from 18 to 36 inches. The larger ones will cut mild steel bolts and rods up to 1/2-inch diameter.

CENTER CUT CUTTER



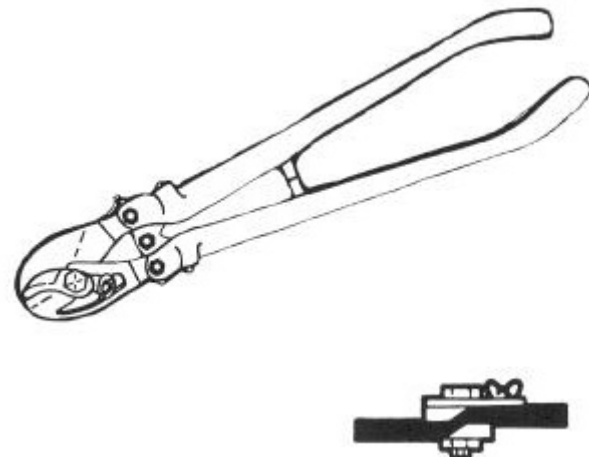
The center cut cutter is used for all general-purpose cutting. The cutting jaws are firmly fixed in line with the handles. The cutting edges are in the center of the jaw between equal levels. The longer the handle, the greater the cutting capacity. The cutting capacities range from 3/16 inch to 1/2 inch for medium steel, and from 5/16 inch to 11/16 inch for soft steel. The handles range from 14-inch to 42-inch lengths.

CLIPPER CUT CUTTER



The cutting edges of the clipper cut cutter are in line with the handles and beveled almost entirely from one side. These cutters allow very close cutting of projecting ends. The cutting capacities range from 1/4 inch to 9/16 inch for medium steel, and from 5/16 inch to 11/16 inch for soft steel. The handles range from 14-inch to 42-inch lengths.

SHEAR CUT, FLAT BAR, AND STRIP CUTTER



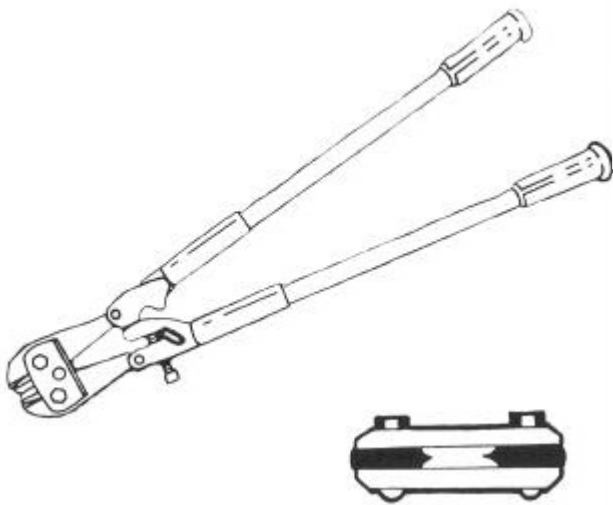
Shear cut, flat bar, and strip cutters are used to cut flat-soft, medium-hard bar, and strip stock. The cutting edges of the jaws pass each other in the manner of scissors, making a complete shear cut.

TYPES AND USES - Continued

SHEAR CUT, FLAT BAR, AND STRIP CUTTER (Cont)

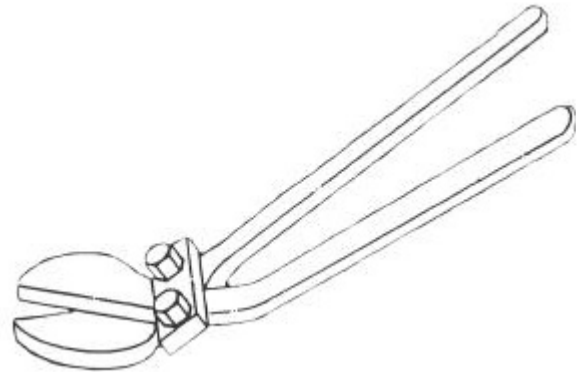
The cutting capacities range from $7/8 \times 5/32$ inch to $1-1/2 \times 9/32$ inch for soft and medium steel, and from $3/4 \times 1/8$ to $1-7/16 \times 1/4$ inch for hard steel. The handles range from 14-inch to 36-inch lengths.

SIDE NUT SPLITTER CUTTER



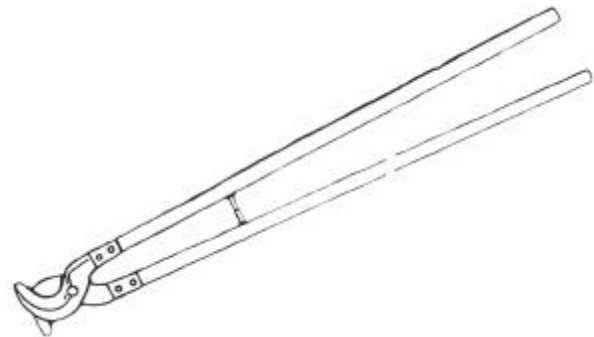
The side nut splitter cutter has the edge of the cutting jaws in line with the handles. When adjusted properly, the cutting edges will remain separated after the nut is split. This tool is used to split nuts off bolts, with the tool "head on" to the bolt, without damaging the bolt. Cutting capacity is rated for a $3/8$ -inch bolt nut and is adjustable to $5/16$ -inch and $1/4$ -inch capacity. The handle is 24 inches long.

ANGULAR CUT CUTTER



Angular cut cutters have the cutting edges offset 30 degrees from the handles. This is so the user can keep the work in sight. It is used for close cutting of soft or medium-hard metals. Cutting capacities range from $1/4$ inch to $1/2$ inch for medium steel. The handles range from 14 inches to 36 inches in length.

SHEAR CUT CABLE CUTTER



Shear cut cable cutters have curved interposing cutters. They are used to cut lead and rubber-covered cable, and communication cable. Cutting capacities for lead and rubber-covered cable is $1-3/8$ inches for the $25-1/2$ -inch handle, and $2-1/4$ inches for the 37-inch handle. The communication cable cutting capacity for the $25-1/2$ -inch handle is 500,000 circular mils, and 750,000 circular mils for the 37-inch handle.

SAFETY

1. Wear safety glasses when cutting.
2. When using bolt cutters, make sure your fingers are clear of the jaws and hinges.
3. Take care that the bolt head or piece of rod cut off does not fly and injure you or someone else. When the cutters are brought together rapidly, sometimes a bolt-head or piece of rod being cut off will fly some distance. The harder the material, the more it will fly.
4. If it is necessary to cut electrical cable or wire which is already installed, be sure that the power is disconnected before using the cable cutter on it.
5. Bolt cutters are fairly heavy, so make sure that they are stored in a safe place where they will not fall and injure someone.

USING CENTER CUT CUTTERS

WARNING

WHEN USING BOLT CUTTERS, MAKE SURE YOUR FINGERS ARE CLEAR OF THE JAWS AND HINGES. WEAR EYE PROTECTION.

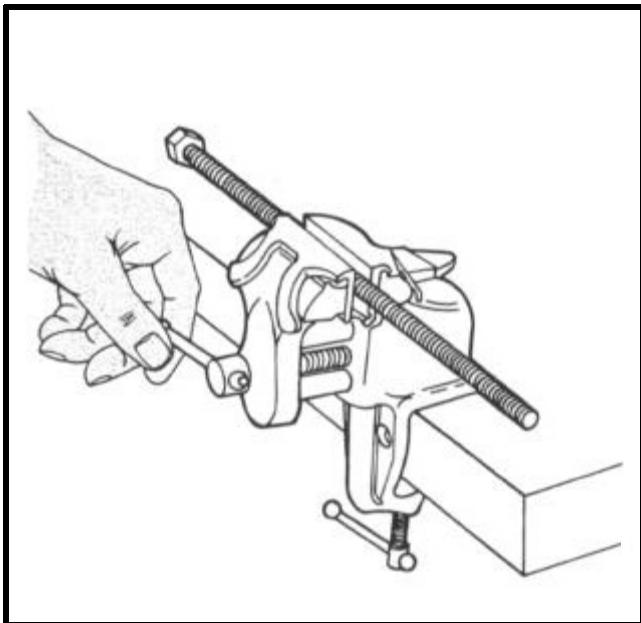
CAUTION

Never attempt to cut spring wire or other tempered metal with bolt cutters. This will cause the jaws to be sprung or nicked.

- 3 Position the work as far back as possible into the jaws, to prevent damage to the jaws as well as to reduce the pressure required for cutting.

CAUTION

Use extreme care when using cutter to avoid catching any part of the body or clothes between handles as pressure is applied to them.



- 1 Clamp or steady the work if unattached before cutting, to prevent the cutters from slipping.
- 2 Dry hands and handles of cutter before using to prevent slipping.



- 4 Stand at a right angle to the work being cut and apply steady pressure to the handles until the work has been cut off. Do not pry or twist with the handles while cutting.

CARE OF BOLT AND CABLE CUTTERS

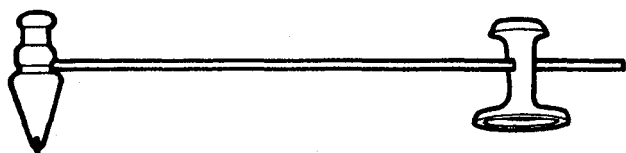
1. Replace worn cutters when necessary.
2. Keep moving parts well oiled.
3. Keep the adjusting screws just tight enough to ensure that the cutting edges meet along their entire length when the jaws are closed.
4. Keep cutter jaws at right angles to the piece being cut. Do not twist or pry with the tool while cutting.
5. Do not sharpen edges too sharp. Leave edge approximately 1/64-inch wide for longer jaw life.
6. Before storing, wipe dirt and grease from the cutter and coat the metal parts lightly with oil to prevent rust.
7. Store the cutter in a special compartment of the tool box or on a shelf where it cannot fall.

Chapter 33 GLASS CUTTERS

HOW TO CHOOSE AND USE THEM

The "Types and Uses" section provides you with a list of some of the types of cutters. These pages should help you select the right cutter to do the job.

The "Using" section tells you how to use the cutter to perform the desired function. The "Care" procedures tell you how to care for the items.

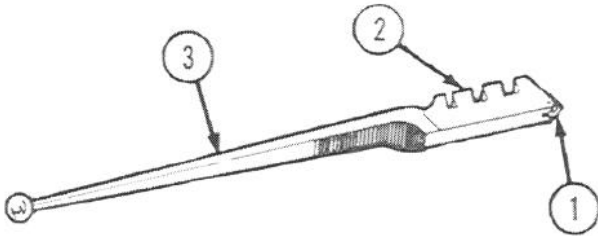


INDEX

<i>Item</i>	<i>Page</i>
TYPES AND USES	33-2
Wheel Type Glass Cutter	33-2
Circle Glass Cutter	33-2
USING	33-2
CARE	33-4

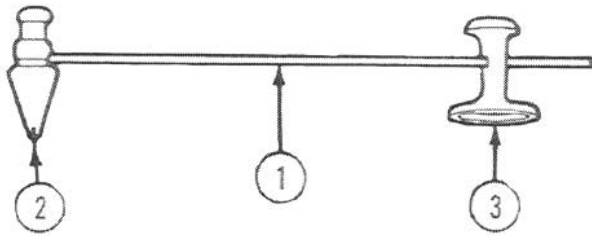
TYPES AND USES

WHEEL TYPE GLASS CUTTER



The wheel glass cutter consists of a steel cutting wheel (1) notching teeth (2), and a holder (3). It is used for making straight cuts on glass.

CIRCLE GLASS CUTTER

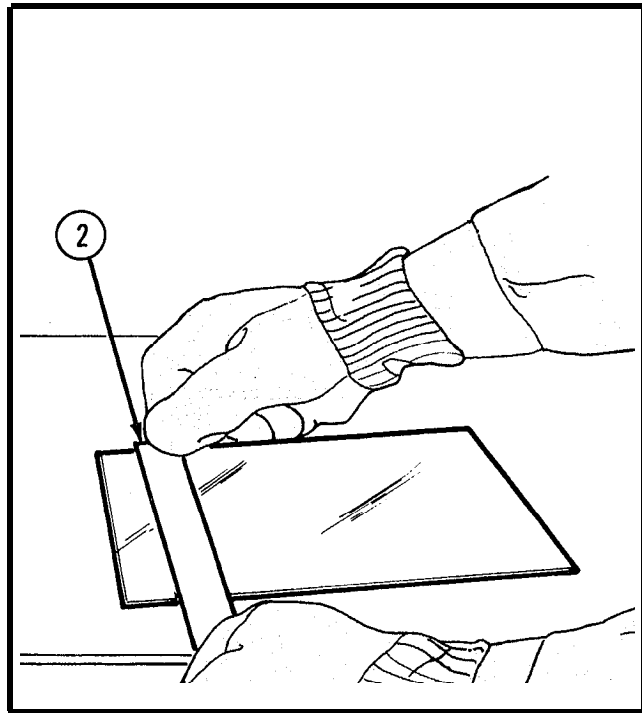
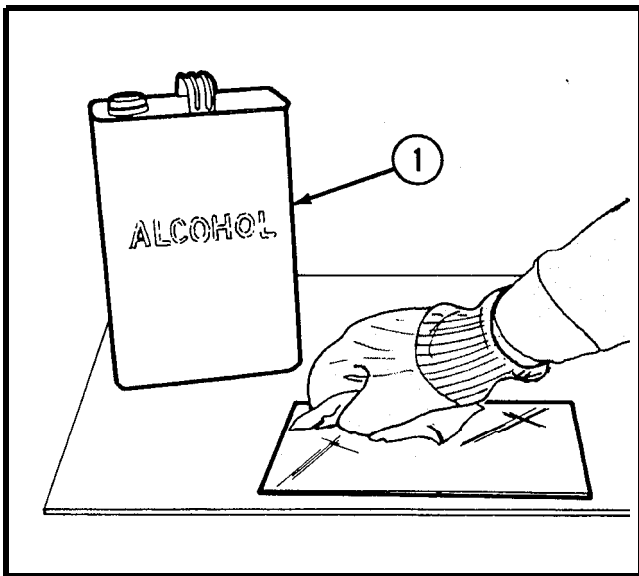


The circle glass cutter has an adjustable arm (1), a cutting head (2), and a suction cup clamp assembly (3). The cutting head scores a mark on the sheet of glass. The suction cup assembly provides an anchor. The circle glass cutter is used to cut circles in glass. The adjustable arm can be moved in the suction cup assembly to allow circles from 2 to 24 inches in diameter.

USING A WHEEL-TYPE GLASS CUTTER

WARNING

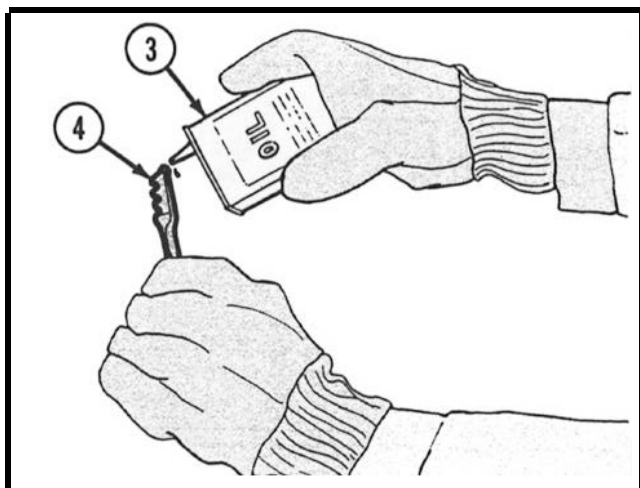
USE CARE WHEN HANDLING GLASS.
WEAR GLOVES TO PROTECT YOUR
HANDS.



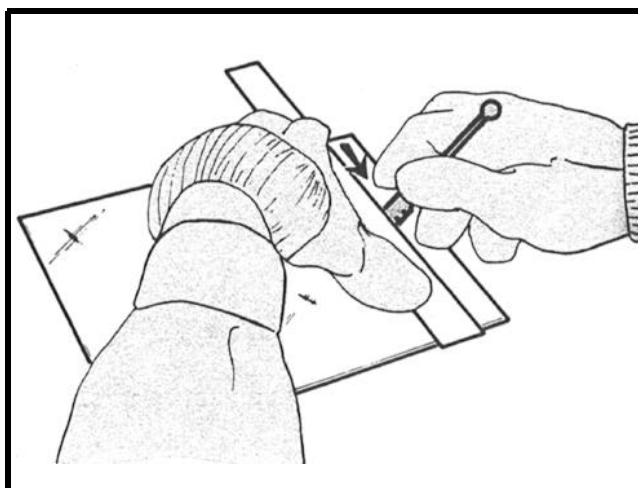
- 1 Place padding (newspapers, a piece of carpet, or blanket) on a flat, level surface.
- 2 Make sure the glass is clean. Apply alcohol (1) along the line to be cut. This prevents the cutting wheel from becoming gummed up while in use.

- 3 Place a straight edge (2) along line to be cut. A wooden yardstick should be used when available, since wood will not slip easily on glass. The cutter will cut 1/16 inch from your mark, so adjust your guide before cutting.

USING A WHEEL-TYPE GLASS CUTTER - Continued



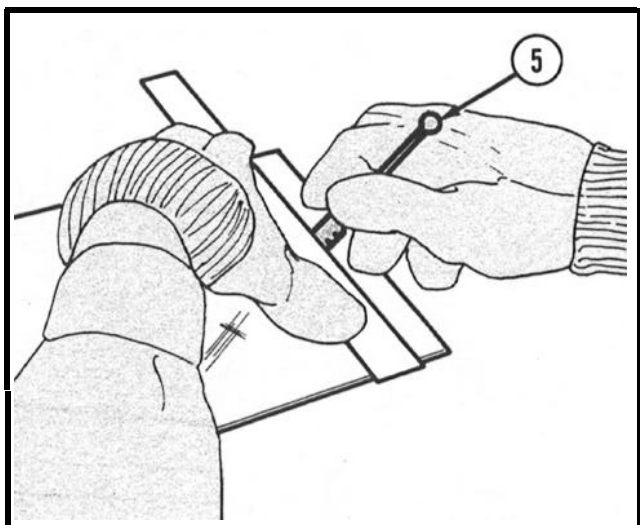
- 4** Apply a drop of light machine oil (3) to the cutting blade (4).



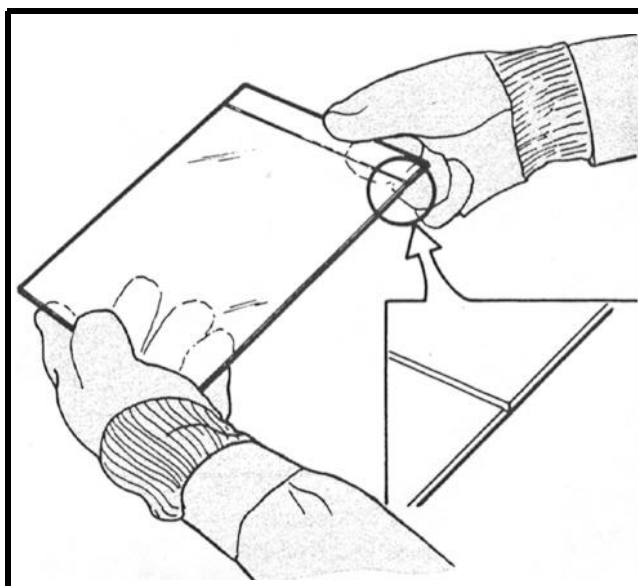
- 6** Start your cut at the far end of the pane of glass drawing the cutter toward you. It is important that you maintain proper pressure throughout the cut. Correct pressure is indicated by a scratching sound. Too much pressure or a dull wheel will produce a crunching sound. Make a continuous mark from one edge to the other edge.

NOTE

Draw the cutter over the line only one time. If it is necessary to recut a groove, do not use a new cutter.

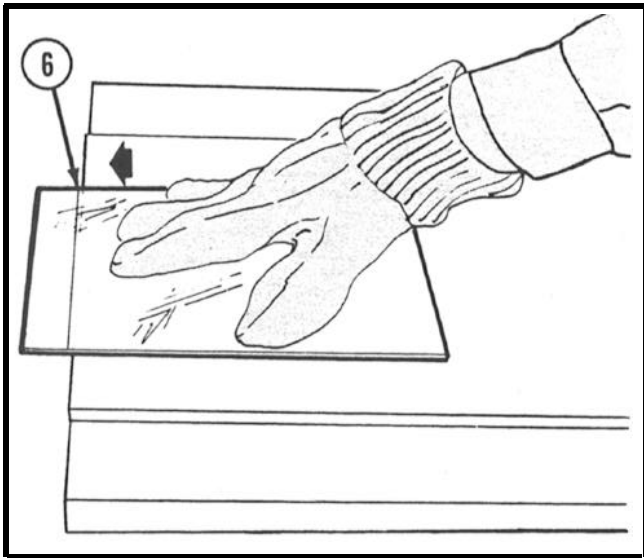


- 5** Hold down on the straight edge with one hand while holding the cutter (5) in an upright position in the other hand. Your forefinger should extend along the holder with your fingertip near the wheel.

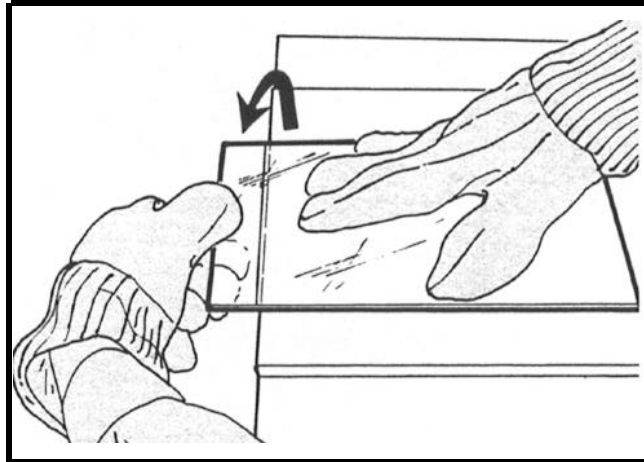


- 7** A proper cut is indicated by a slight crack in the surface. It is best seen from the side opposite the mark.

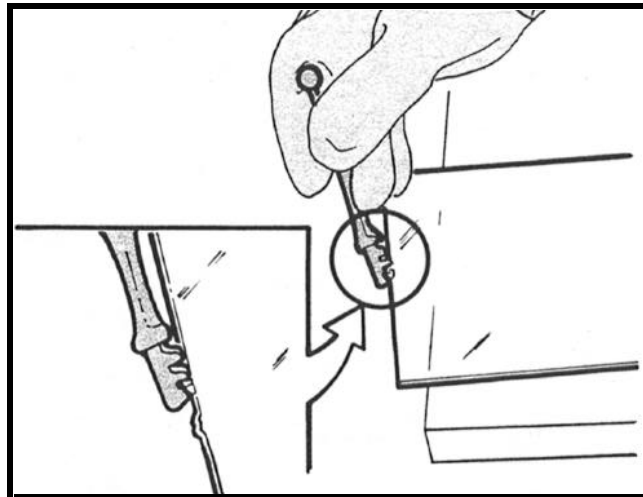
USING A WHEEL-TYPE GLASS CUTTER - Continued



- 6** To part the glass, slide the pane of glass so the scored groove (6) is about 1/8 inch beyond the table edge.



- 9** Hold down on the section resting on the working surface. Grasp the section extending over the edge with your other hand. Apply a light downward pressure to part the glass.



- 10** Remaining chips may be removed by applying a downward twisting motion using the notches of the cutter.

CARE OF CUTTERS

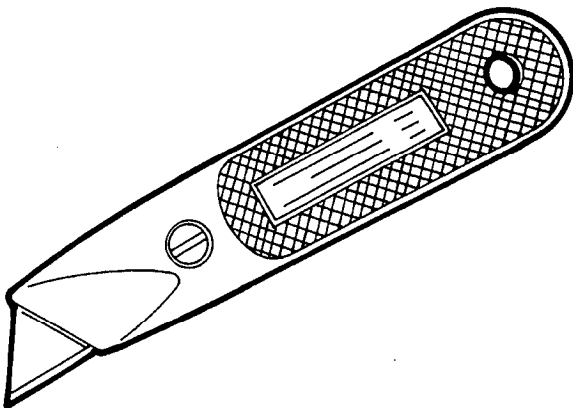
1. Make sure cutting blades remain sharp. Sharpen dull blades with a file or oil stone.
2. When not in use, apply a light film of oil on the cutting edges.
3. Store cutters in such a way as to prevent the blades accidentally making contact with personnel or other metal.
4. For long periods of storage, coat entire cutter with rust-preventive compound and store in a dry place.

Chapter 34 KNIVES

HOW TO CHOOSE AND USE THEM

The "Types and Uses" section provides you with a list of some of the types of knives. These pages should help you select the right knife to do the job.

The "Using" section tells you how to use the knife to perform the desired function. The "Care" procedures tell you how to care for the items.



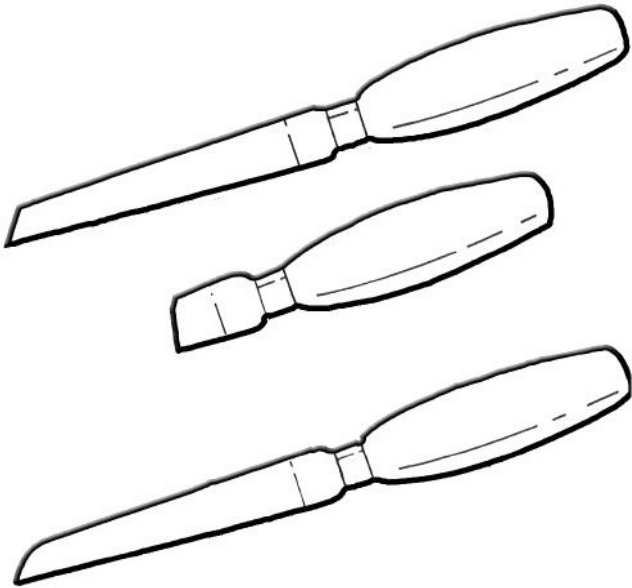
INDEX

<i>Item</i>	<i>Page</i>
TYPES AND USES	34-2
Rubber cutting knives	34-2
Saddler's knives	34-2
Shop knife	34-2
Pocket knife	34-2
Draw knife	34-3
Putty knife	34-3
SAFETY	34-3
USING	34-3
CARE	34-4

TYPES AND USES

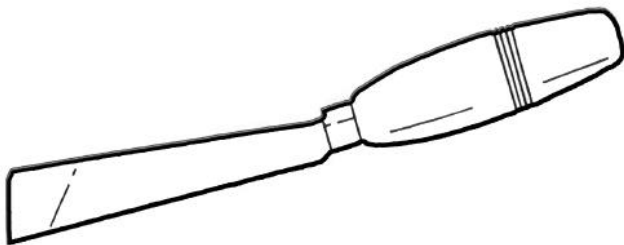
Most knives have cutting edges and are used to cut, pare, notch, and trim wood, leather, rubber, and other materials. However, putty knives are used to apply and spread putty when installing glass.

RUBBER CUTTING KNIVES



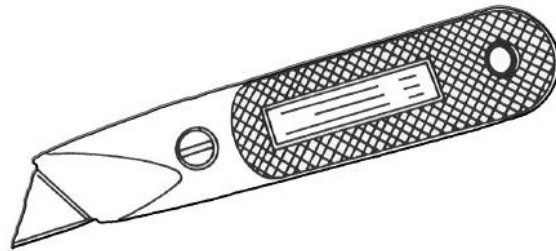
Rubber cutting knives come in a variety of styles and shapes. Some taper to a blunt round point. Some have a short, wide blade. Others have a long, wide hollow ground blade. The handle is usually oval in shape.

SADDLER'S KNIVES



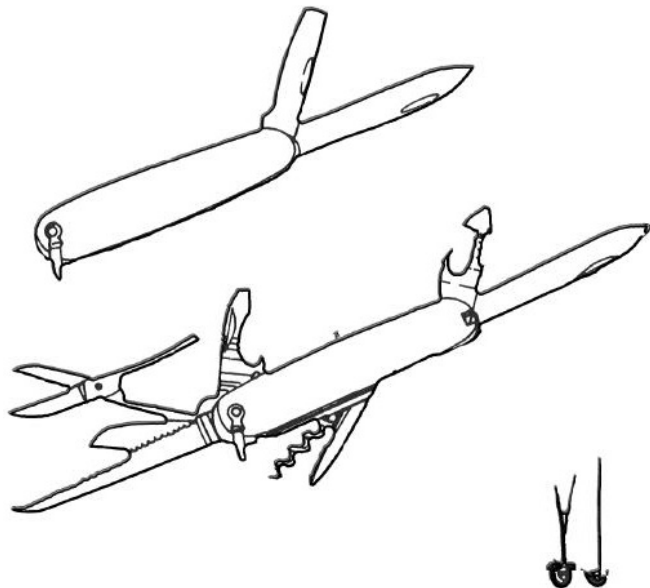
Saddler's knives are used on leather and come in different shapes. One has a broad point on a 1-1/8-inch by 5-inch blade. One has a 5/8-inch by 3-7/8-inch square point blade. Another has a 5-inch rounded-end blade. Shoe knives are similar to saddler's knives, but usually they have a 3/4-inch by 3-1/4-inch blade.

SHOP KNIFE



The shop knife is used to cut wallboard, paper, cardboard, linoleum, canvas, and upholstery materials. Most shop knives have an aluminum handle and have storage space for five interchangeable blades in the 5-inch handle.

POCKET KNIFE



Pocket knives are used for light cutting, sharpening pencils, cutting string, and whittling. They are not suitable for heavy work. There are many styles and shapes. Some are multipurpose and have an assortment of blades which are used for forcing holes, driving screws, and opening cans, as well as cutting. The blades are hinged and contained within the case when not in use and are spring loaded to keep them firmly in place when open or closed.

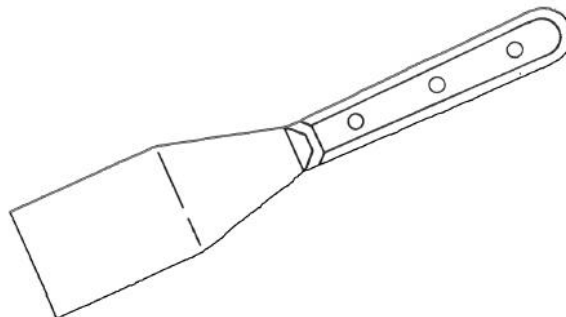
TYPES AND USES - Continued

DRAW KNIFE



A draw knife is a flat-edged tool used especially on round timber to rough-shape wood. It is used to smooth wood after chopping with a hatchet or axe. It consists of a single bevel blade and two round wooden handles, one at each end and at right angles to the blade. The handles may be adjustable or rigid.

PUTTY KNIFE

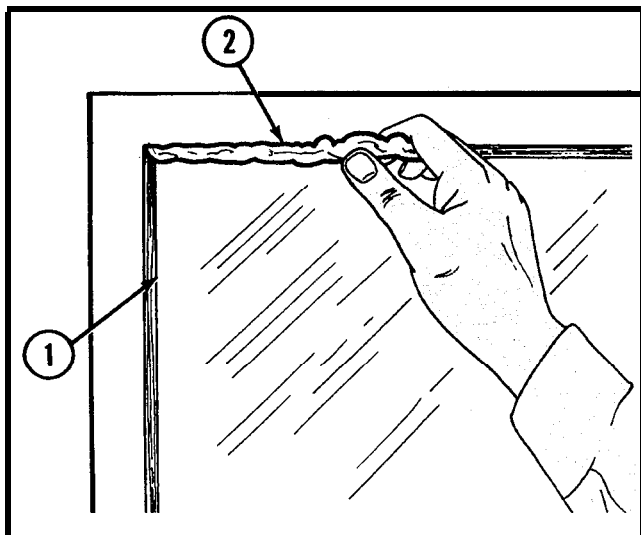


A putty knife is used for applying putty to window sashes in setting panes of glass. The blade has a wide square point and is available in different lengths and widths.

SAFETY

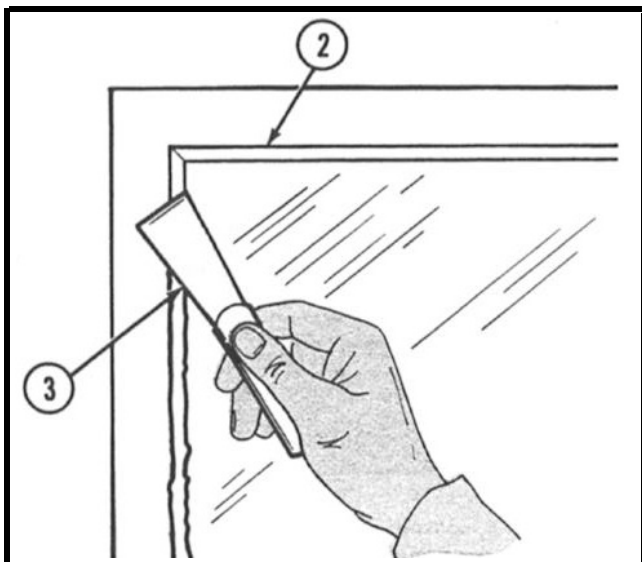
1. Do not use knives which are larger than can be handled safely to cut work.
2. Use knives only for the purpose for which they were designed.
3. Do not carry open knives in your pocket.
4. Do not leave knives in such a position that they will cause injury to others.
5. Carefully put knives in a sheath or container after use to protect the sharp cutting edges from contacting other hard objects.
6. Always cut away from the body, except when using the draw knife.

USING A PUTTY KNIFE



- 1 Before applying new putty, -make sure that the frame (1) is clean and all the old putty has been removed.
- 2 Roll new putty (2) into a rope and press it into the frame with your fingers.

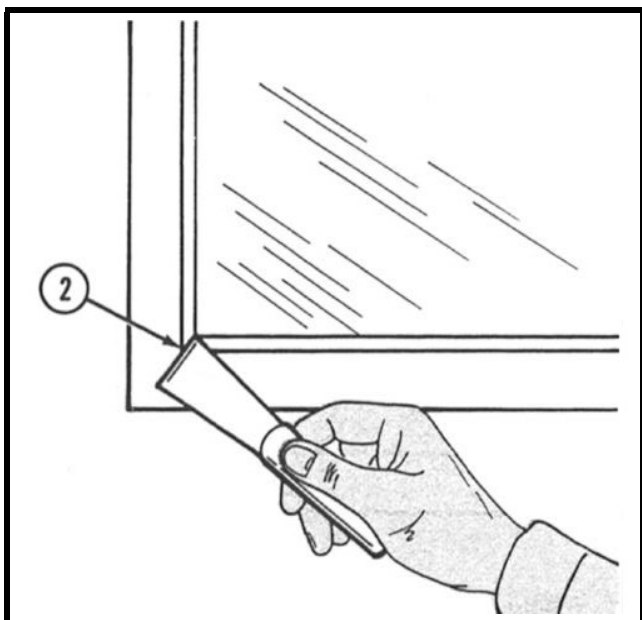
USING A PUTTY KNIFE - Continued



NOTE

Occasionally dip the putty knife in water to aid in shaping the putty.

- 3 With the putty knife (3), shape the putty (2) into an angle sloping from the glass down to the edge of the frame.



- 4 Miter the putty (2) at the corners as shown.

CARE OF KNIVES

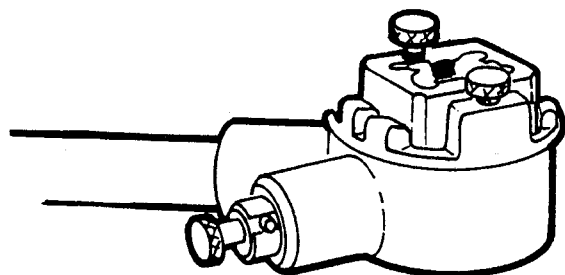
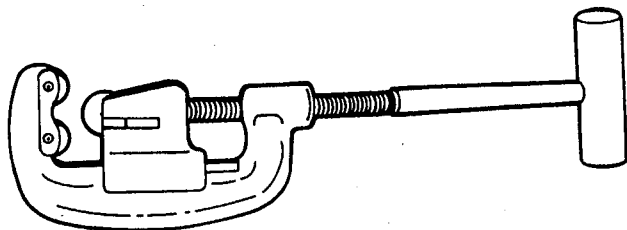
1. Carefully put knives away after use.
2. Protect the sharp cutting edges from contact with other hard objects.
3. Use knives only for the purpose for which they are intended.
4. Before storing, wipe all metal parts with an oily rag.
5. For long-term storage, apply a thin film of rust-preventive compound on all metal parts and store in a dry place.

Chapter 35 PIPE CUTTING AND THREADING TOOLS

HOW TO CHOOSE AND USE THEM

The "Types and Uses" section provides you with a description of the pipe cutter and threading set. These pages should help you select the right cutting die to do the job.

The "Using" section tells you how to use the pipe cutter and threading set to perform the desired function. The "Care" procedures tell you how to care for the items.

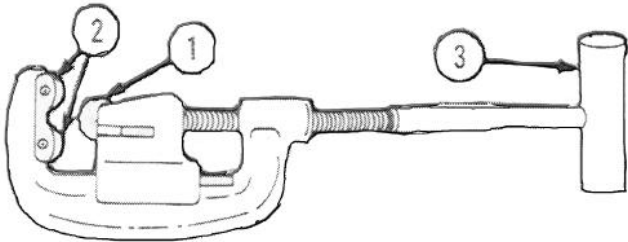


INDEX

<i>Item</i>	<i>Page</i>
TYPES AND USES	35-2
Pipe threading set	35-2
USING	35-2
CARE	35-6

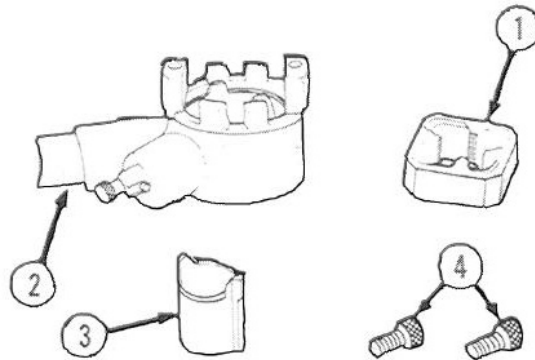
TYPES AND USES

PIPE CUTTERS



There are two sizes of pipe cutters. One size can cut from 1/8 to 2 inches, while the other can cut from 2 to 4 inches. The pipe cutter has a cutting blade (1) and two pressure rollers (2) which are adjusted and tightened by turning the handle (3). Pipe cutters are used to cut steel, brass, copper, wrought iron, and lead pipe.

PIPE THREADING SET

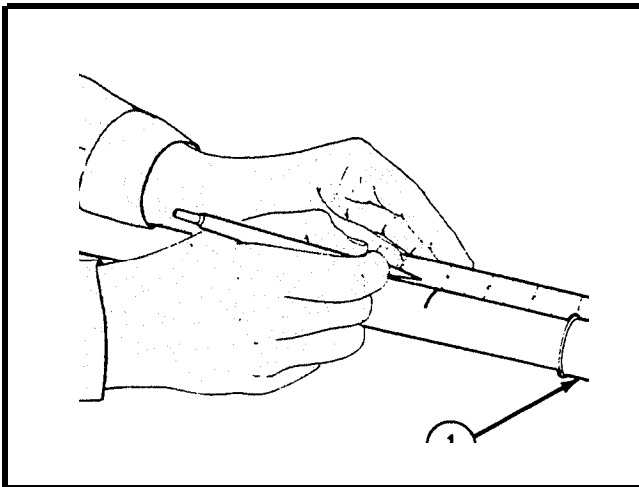


The pipe threading set contains an assortment of cutting dies (1) a handle or wrench (2) a collar (3), and locking screws (4). The cutting dies may range from 1/8-inch to 2 inches in diameter. The threading set is used to cut American Standard Pipe threads on steel, brass, copper, wrought iron, and lead pipe.

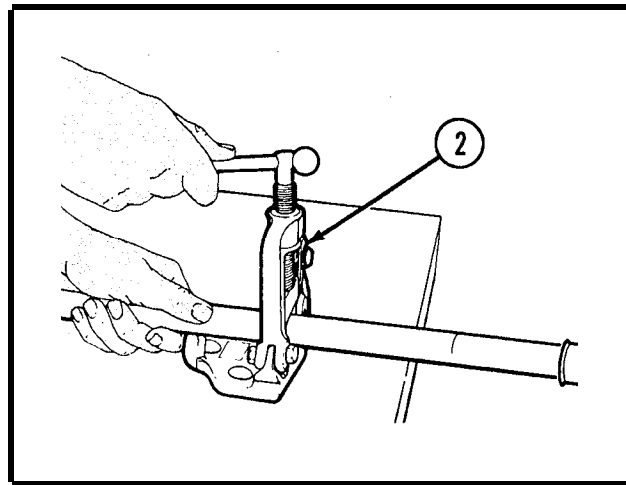
USING A PIPE CUTTER

WARNING

PIPE OFTEN COMES WITH A PROTECTIVE CAP (1). LEAVE THIS CAP ON. IT KEEPS YOU FROM GETTING CUT ON SHARP PIPE ENDS.

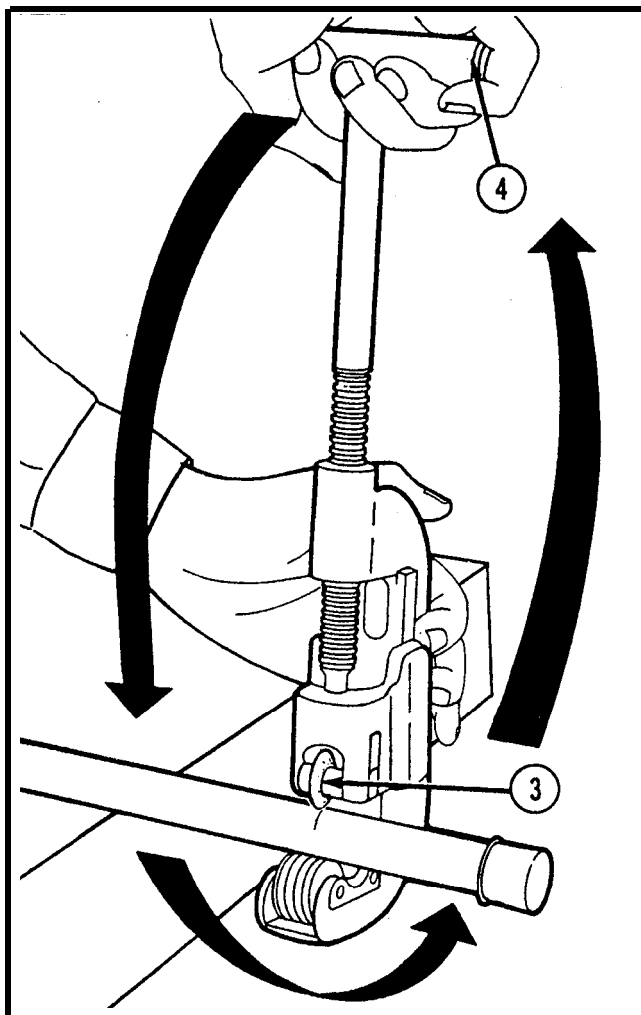


- 1 Measure from end of pipe and make a mark where you want to cut.



- 2 Fasten pipe securely in a pipe vise (2). Be sure mark is clear so that it can be cut. Pipe must be supported on both ends to keep it from bending.

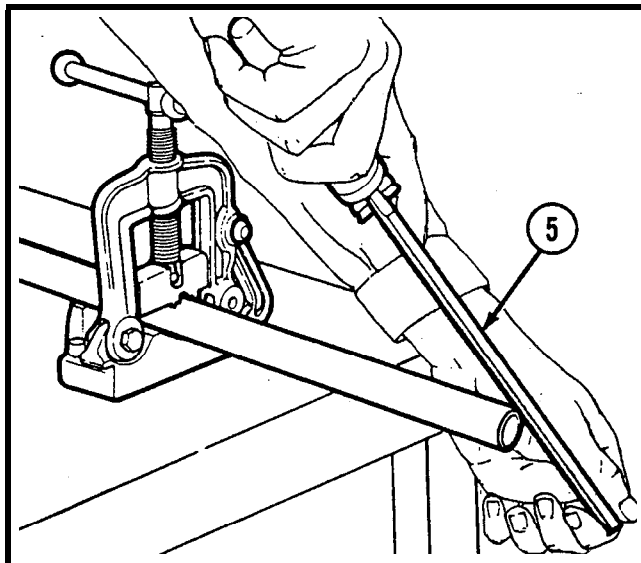
USING A PIPE CUTTER - Continued



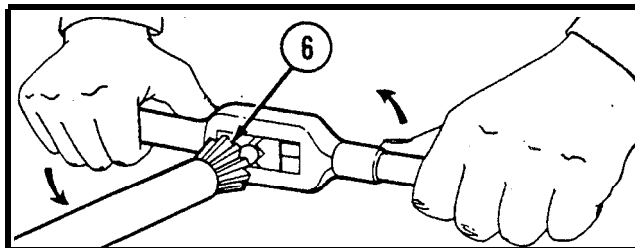
- 3 Open the jaws of the pipe cutter enough to allow the pipe cutter to be placed around the pipe. Adjust so that the cutting blade (3) is on the line.
- 4 Tighten the handle (4) until cutting blade makes contact with pipe.
- 5 Then turn the handle (4) 1/4 of a turn more clockwise.
- 6 Now turn the whole cutter one turn around the pipe (counterclockwise).
- 7 Repeat steps 5 and 6 until the pipe is cut through.

NOTE

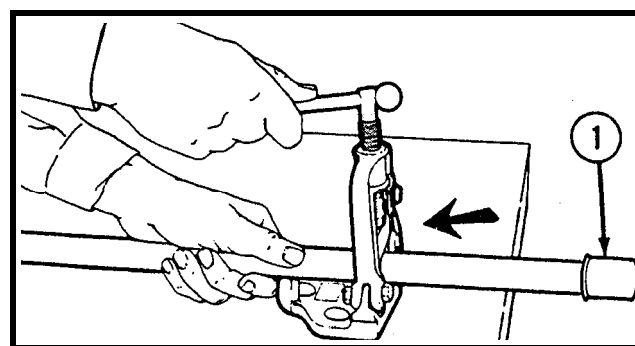
Be sure the cutter is at a right angle to the pipe as shown to keep the wheel on track.



- 8 Remove the shoulder (the rough edge left by cutting) from the outside of the pipe with a file (5).



- 9 Remove the burr from the inside of the pipe with a pipe reamer (6). (See Chapter 39 for care and use of pipe reamers.)



- 10 Place protective cap (1) on cut pipe end and remove from vise.

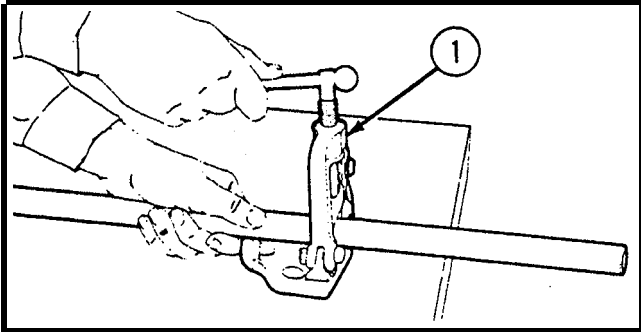
NOTE

If the part of the pipe you cut off is going to be used, put in vise and repeat steps 8 and 9. If you are going to store the pipe, put the protective cover back on.

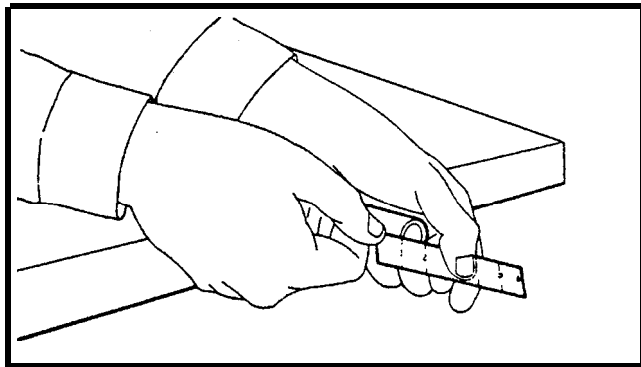
USING A PIPE THREADING SET

WARNING

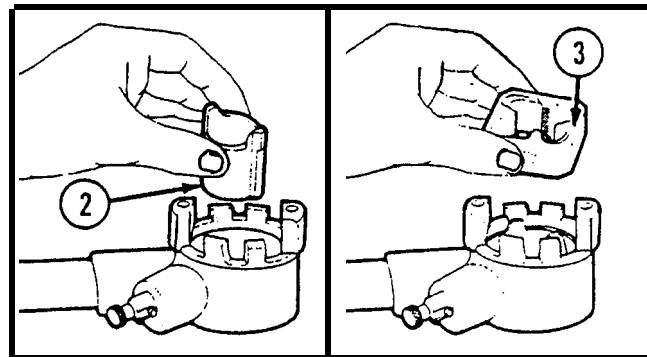
PIPE ENDS ARE EXTREMELY SHARP.
USE CARE WHEN HANDLING.



- 1 Clamp pipe securely in pipe vise (1) with end to be threaded extending beyond the edge of the vise jaws as shown.



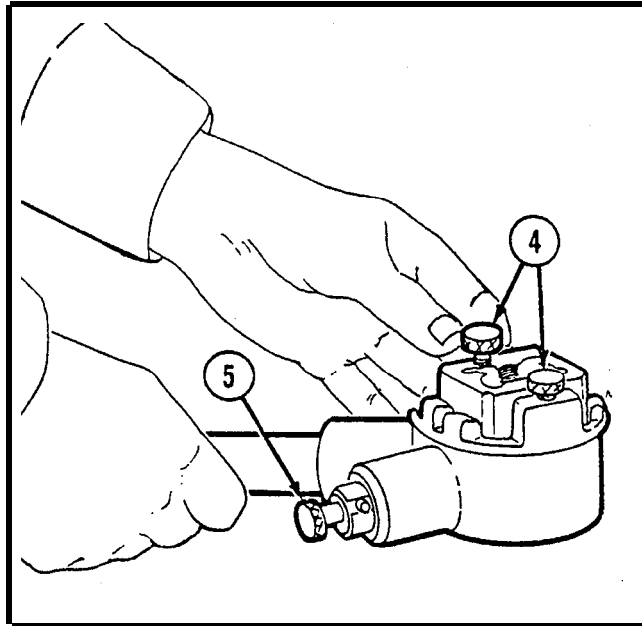
- 2 Measure inside pipe diameter to determine the proper die.



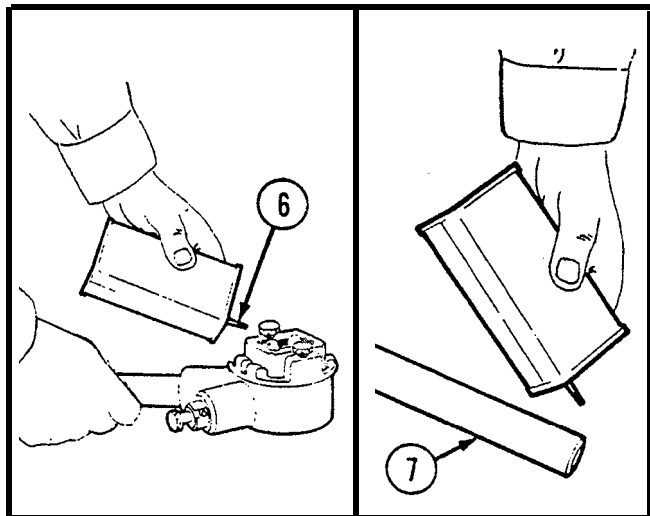
- 3 Inspect the die for nicks, and be sure that it is sharp.

Assemble die on ratchet die stock as shown in steps 4, 5, and 6.

- 4 Insert collar (2).
- 5 Insert cutting die (3) over top of collar (2).

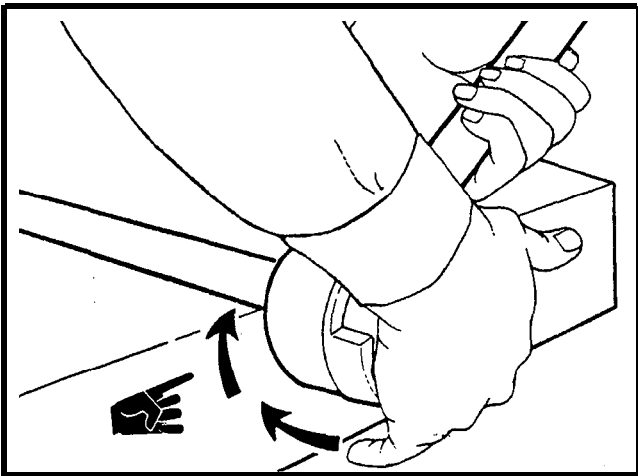


- 6 Secure in place with locking screws (4).
- 7 Set ratchet to turn in a counterclockwise direction by pulling out ratchet control knob (5) and turning it 180 degrees. The ratchet permits cutting threads on pipes where it is not possible to turn the handle 360 degrees. It is set for clockwise or counterclockwise rotation by pulling out and turning the ratchet control knob (5) from one detent to the other.

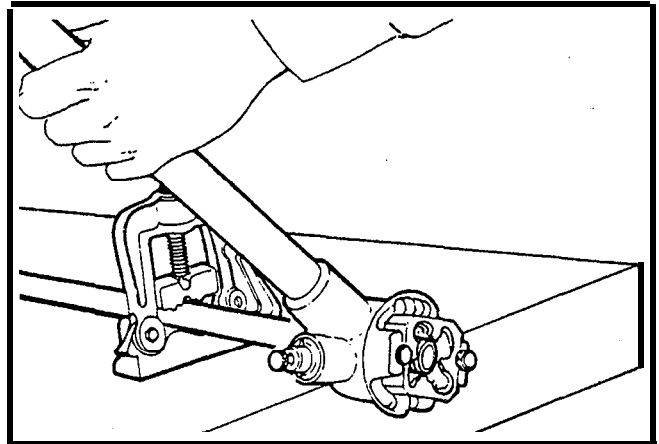


- 8 Apply cutting oil (6) to die and to end of pipe (7) to prevent overheating of dies and damaging of threaded surface.

USING A PIPE THREADING SET - Continued



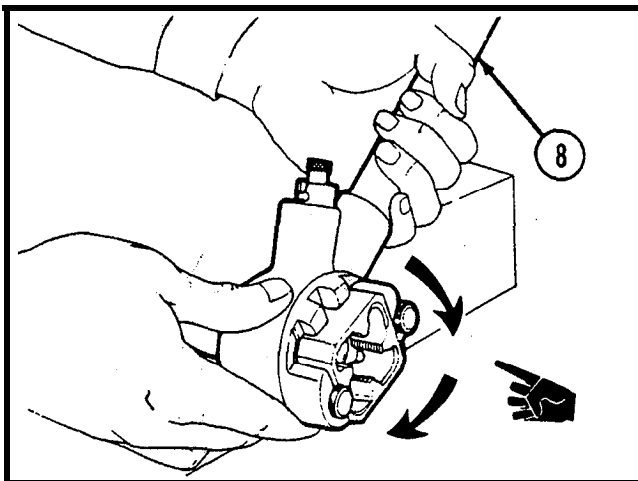
- 9** Slide cutting die over end of pipe to be threaded and apply light pressure with the heel of your hand.



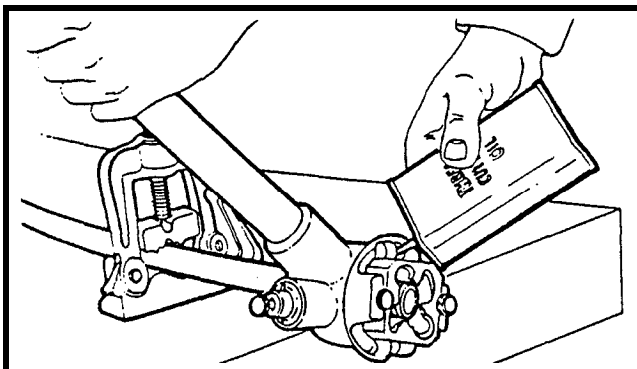
- 12** After two more turns on the die, back off one turn and apply a coat of cutting oil.

NOTE

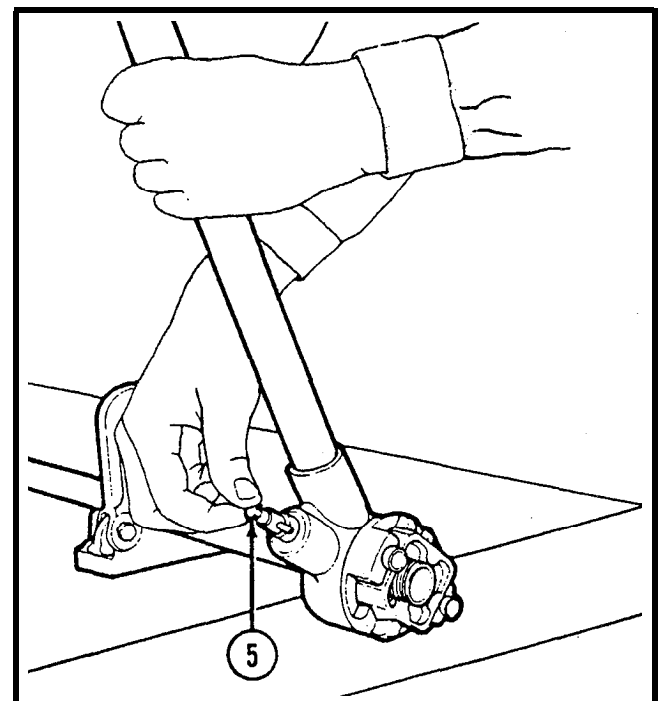
If metal shavings become clogged in the die, remove the die and clean it with a piece of cloth.



- 10** Start die with short strokes of the ratchet handle (8). Be sure the die is going on the pipe squarely.

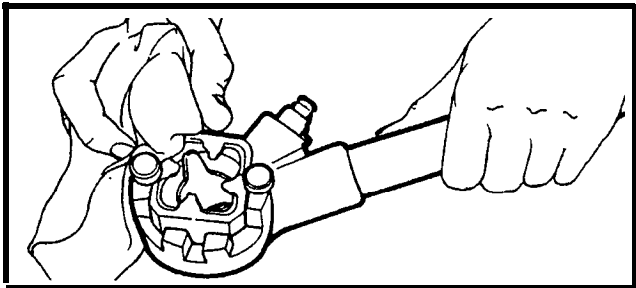


- 11** After a full turn of the die, apply another coat of cutting oil.

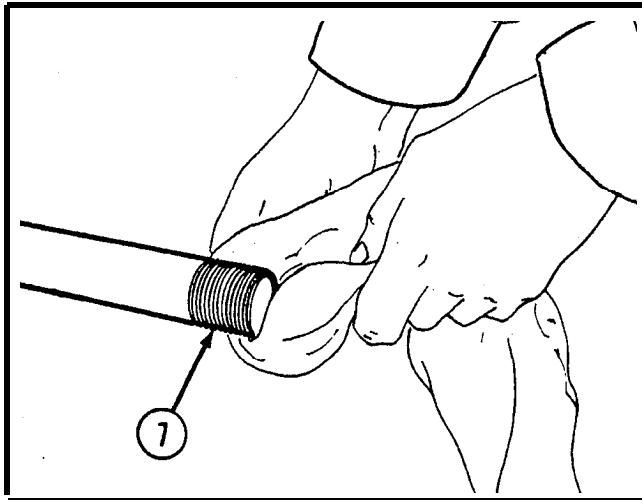


- 14** Reverse ratchet by pulling ratchet control knob (5) from detent and turning it 180 degrees. Then back up the cutting die.

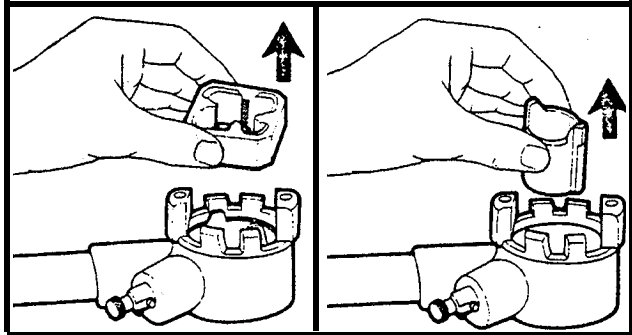
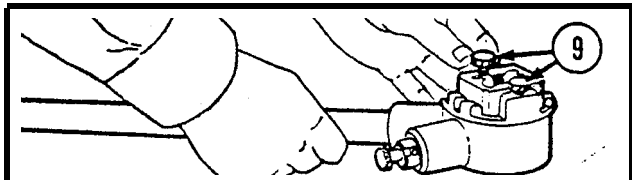
USING A PIPE THREADING SET - Continued



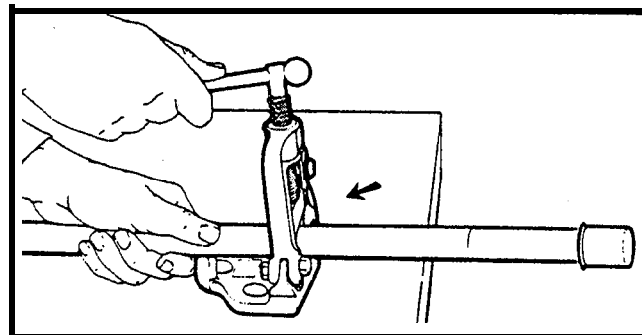
15 Wipe excess oil and metal shavings from die and ratchet handle.



17 Wipe excess oil and shavings from threaded end of pipe (7).



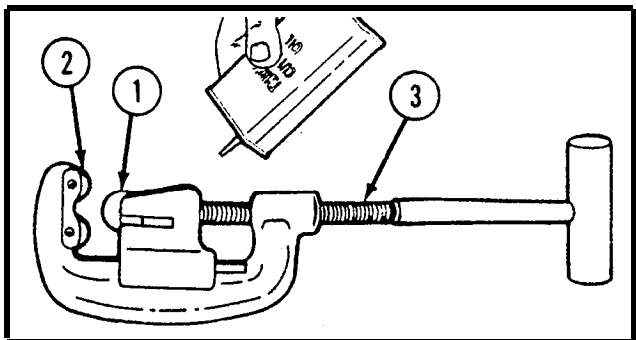
16 Disassemble the die from the ratchet handle as shown, by removing locking screws (9). Remove die and collar from ratchet head.



18 Place cap, if available, over threads and remove the pipe from the vise.

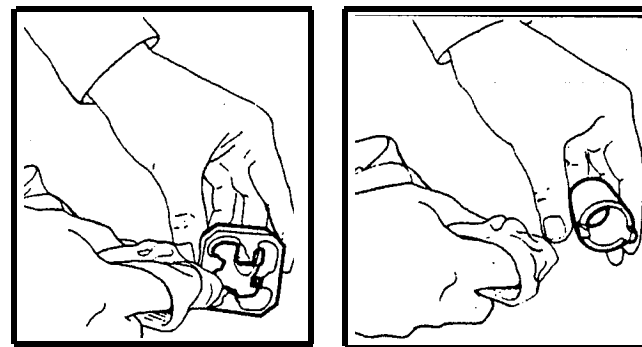
CARE OF PIPE CUTTERS AND THREADING SETS

PIPE CUTTERS



1. Clean and lightly oil the cutter wheel (1) roller guide (2) and adjusting screw (3).
2. Store on a rack or in a box which protects the cutting wheel.

THREADING SETS



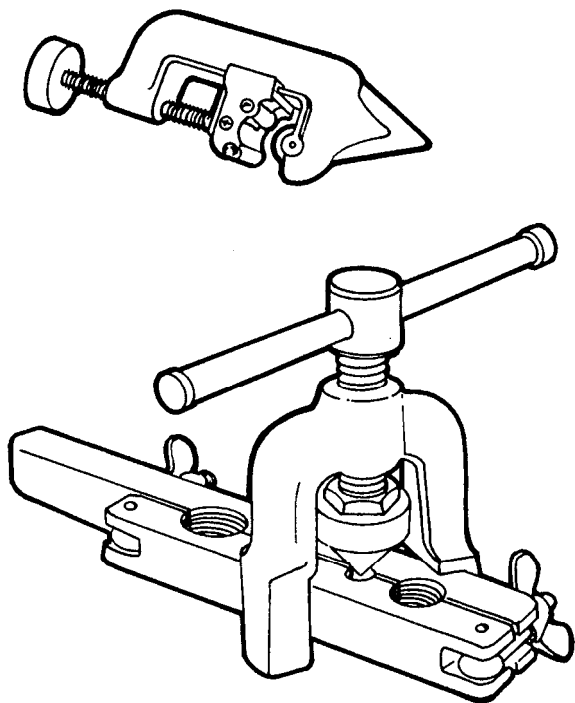
1. Wipe off excess cutting oil and clean metal shavings from the cutting die edges and collar.
2. Store in a case or box which will protect the cutting dies.

Chapter 36 TUBE CUTTING AND FLARING TOOLS

HOW TO CHOOSE AND USE THEM

The "Types and Uses" section provides you with a description of the tube cutting and flaring tool. These pages should help you select the right flaring combination to do the job.

The "Using" section tells you how to use the tube cutting and flaring tools to perform the desired function. The "Care" procedures tell you how to care for the items.

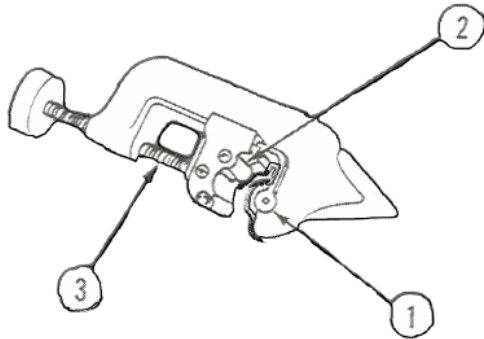


INDEX

<i>Item</i>	<i>Page</i>
TYPES AND USES	36-2
Tube cutters	36-2
Flaring tool	36-2
USING	36-2
CARE	36-4

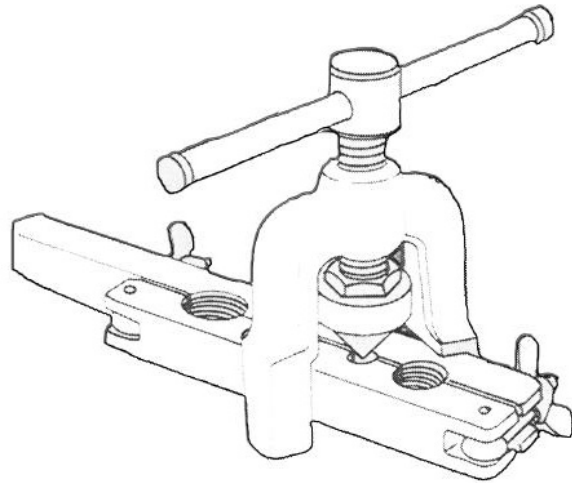
TYPES AND USES

TUBE CUTTERS



Tube cutters have a cutting blade (1), guide rollers (2), and an adjusting screw (3). Some cutters have a reaming blade attached to the frame of the cutter. Tube cutters can cut from 1/8 inch through 2-5/8 inches tubing. They can cut copper, aluminum, or brass tubing.

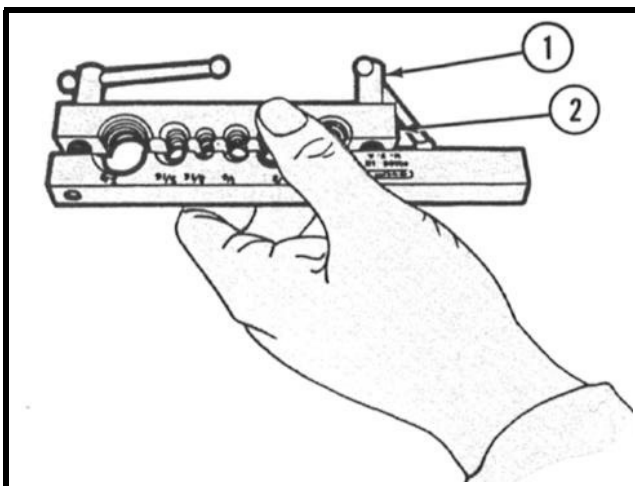
FLARING TOOL



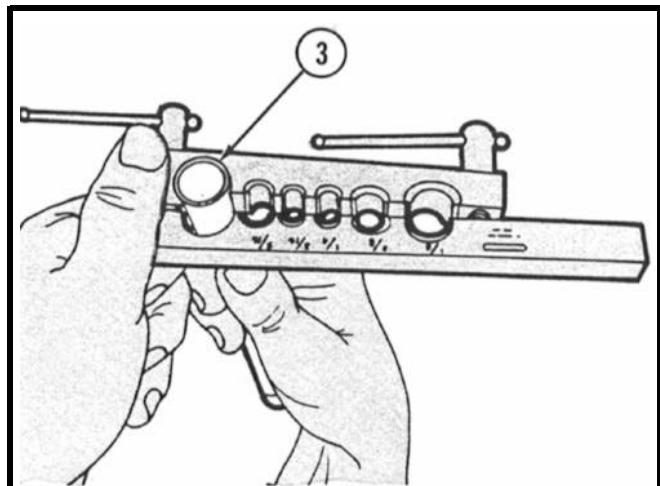
Flaring tools are of two basic types, single and double. They are used to put flares in soft tubing. The single flaring tool consists of a split die block, a locking clamp with compressor screw and a cone which forms a 45 degree flare on the end of the tube. The screw has a T-handle. The die block is constructed to be used on the following outside diameter tubing: 1/8, 3/16, 1/4, 5/16, 3/8, 7/16, 1/2, 5/8, and 3/4 inch.

The double flaring tool consists of a split die block, a locking clamp with compressor screw, adapters for turning tube edge, and a cone which forms a 45 degree flare on the end of the tube. The screw has a T-handle.

USING A FLARING TOOL

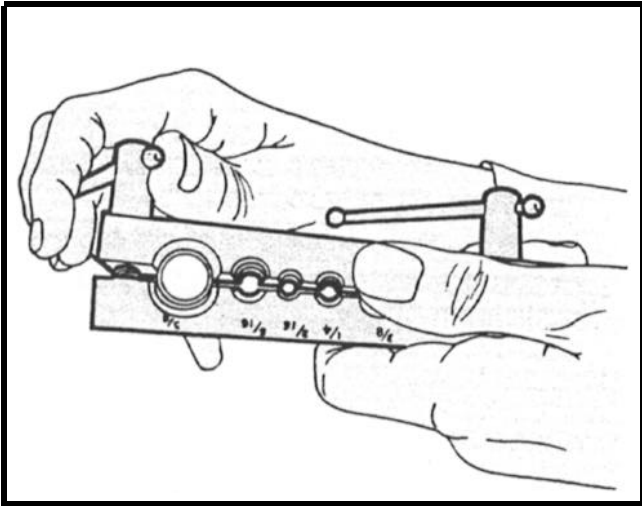


1 Loosen die block clamp screws (1), and open die block clamp (2).



2 Insert tubing to be flared (3) into die block clamp.

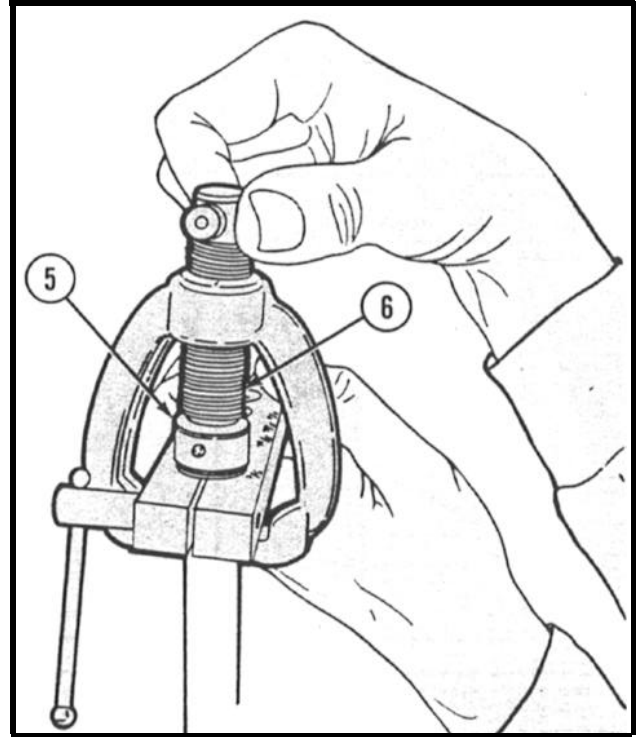
USING A FLARING TOOL - Continued



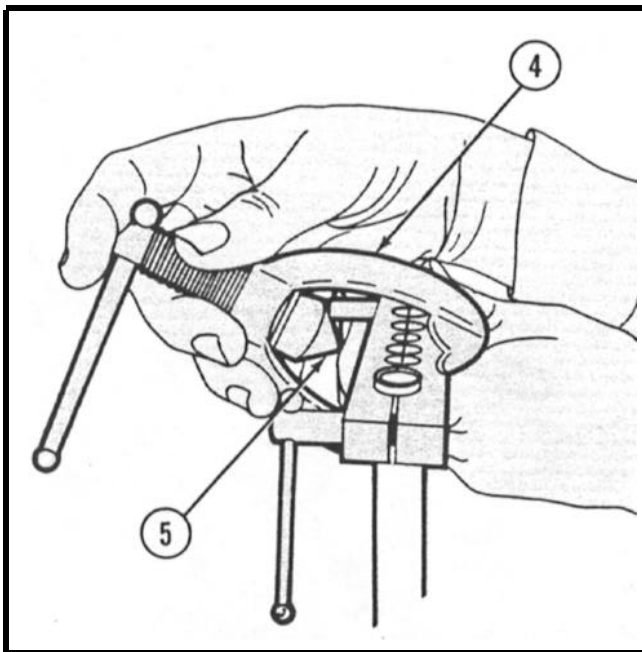
- 3** Hold tubing so there is about 1/8 inch extending above die block clamp, and tighten die block clamp screws.

NOTE

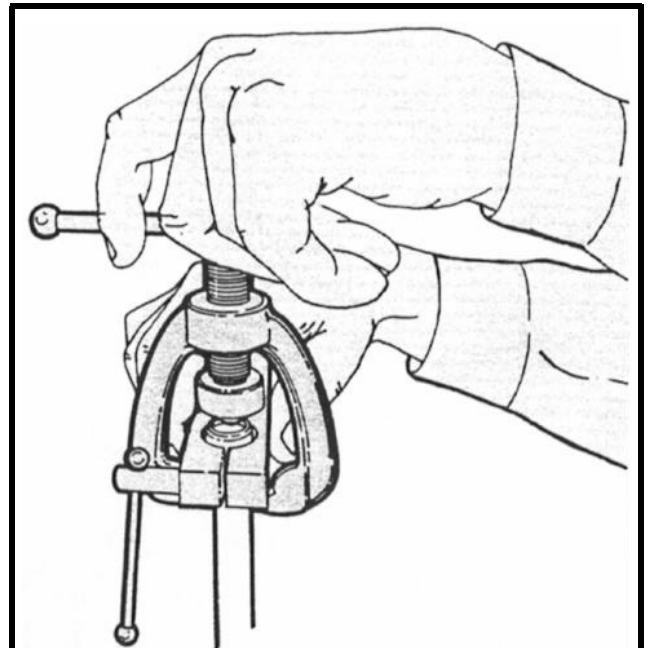
Do not over-tighten cutter as tubing may kink and flatten.



- 5** Tighten feed screw (6) forcing the tip (5) into the tubing and forcing the tubing into the chamber of the die block clamp.

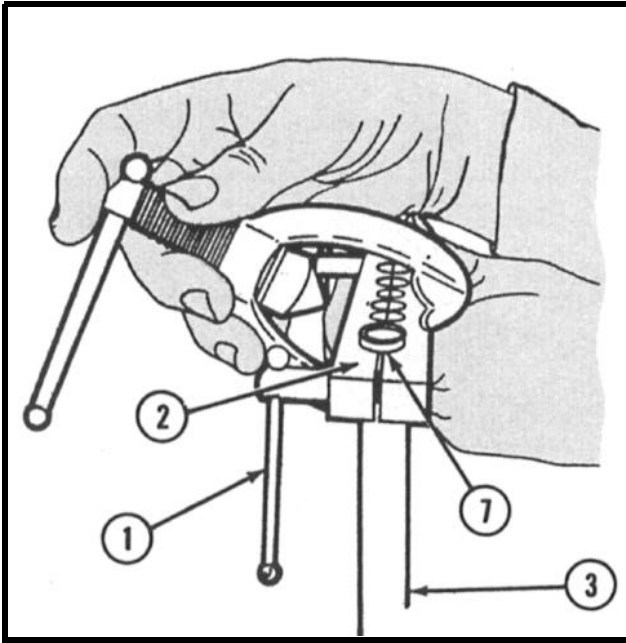


- 4** Slide yoke (4) over die block clamp, and align the tip (5) over the end of tubing.



- 6** When desired flare is reached, unscrew feed screw, and remove yoke from die block clamp.

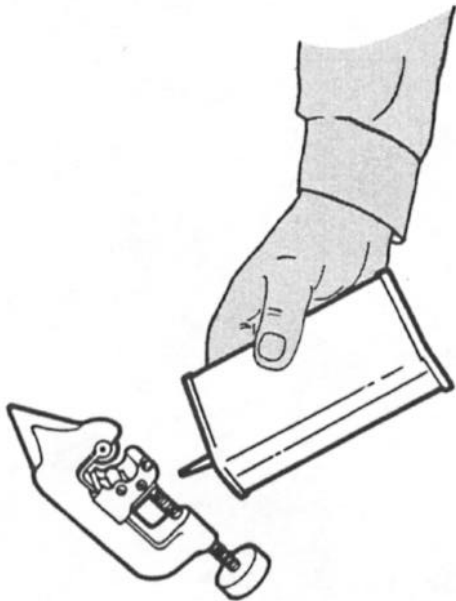
USING A FLARING TOOL - Continued



- 7 Unscrew die block clamp screws (1) and open die block clamp (2), releasing tubing (3).
- 8 Inspect flange (7) in tubing for cracks or breaks.
- 9 If a crack or break is detected, the tubing will have to be cut and reflanged.

CARE OF TUBE CUTTERS AND FLARING TOOLS.

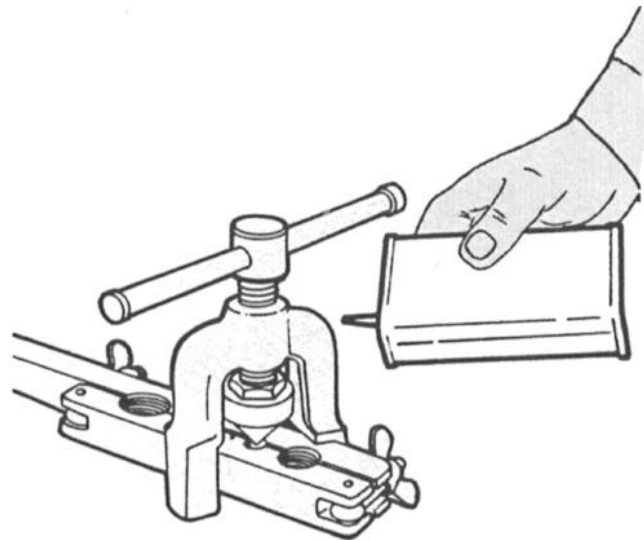
TUBE CUTTERS



Keep cutting wheel clean and lightly oiled. If a reaming device is mounted on the body of the cutter, keep it retracted when not in use.

Store tube cutters on a rack or in a box.

FLARING TOOL



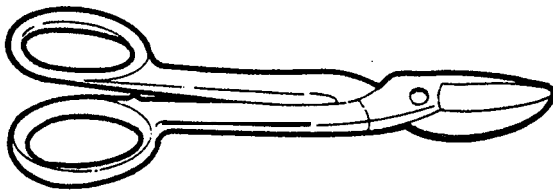
Keep surfaces clean and lightly oiled. Close single flaring tools and tighten cone into block for storing. Keep double flaring tools in the case when not in use.

Chapter 37 SHEARS AND NIPPERS

HOW TO CHOOSE AND USE THEM

The "Types and Uses" section provides you with a list of some of the types of shears and nippers. These pages should help you select the right tool to do the job.

The "Using" section tells you how to use the shears and nippers to perform the desired function. The "Care" procedures tell you how to care for the items.

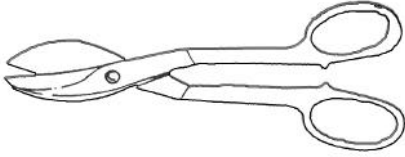


INDEX

<i>Item</i>	<i>Page</i>
TYPES AND USES	37-2
Hand shears	37-2
Tinner's bench shears	37-2
Metal shearing machine	37-2
Nippers	37-2
SAFETY	37-3
USING	37-3
CARE	37-4

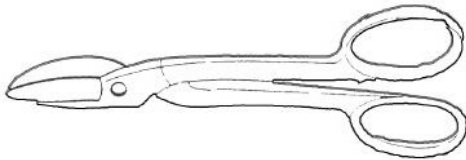
TYPES AND USES

Shears are used for cutting sheet metal and steel of various thicknesses and shapes. Shears come in a variety of styles and sizes.



HAND SHEARS

Hand shears are made with straight or curved cutting blades. Shears are made for right-handed operators so the cutline is always in full view for accurate cutting.

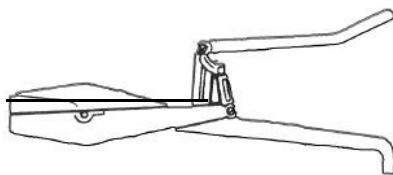


Straight-bladed shears are used to cut straight lines or to cut curves in locations that are easily reached.



Shears with curved blades such as the hawk bill and the curved blade hand shears are made especially for cutting short straight lines or curves. They are also used for cutting out small intricate designs in locations where it is necessary to keep the handles and handle-operating hand away from the metal stock.

TINNER'S BENCH SHEARS



The tinner's bench shear is larger than a hand shear and is used for cutting heavy sheet metal. The lower handle has a hook which can be placed in a hole in the bench so

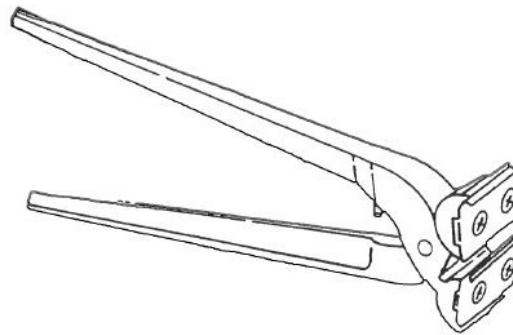
that the operator will have a free hand to guide the work. The bench shear makes a 6-inch cut and is approximately 36 inches long.

METAL SHEARING MACHINE



The metal shearing machine is foot-operated and is used to cut original sheets into smaller, usable size stock. The shear blade is 36 inches long and will cut all sheet metal up to and including 1/16 inch of mild steel or 1/8 inch of iron.

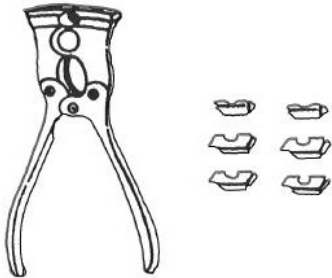
NIPPERS



Nippers are used to cut protruding metal flush with a surface. They are also used to cut wire, bolts, nails, and light metal bars to specified dimensions. Nippers come in a variety of styles and sizes.

TYPES AND USES - Continued

CUTTING NIPPERS



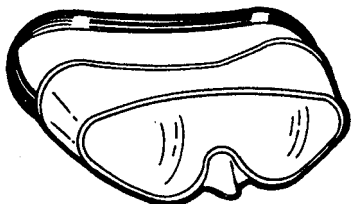
Some nippers have adjusting screw stops in the handle and adjustable jaws. Others have detachable jaws with compound leverage and come with three extra pairs of jaws. Cutting nippers range in size from 5-1/2 to 15 inches long and up to 1-3/4 inches in jaw widths.

Cutting nippers are available with integral or detachable cutters. They are used to cut wire, light metal bars, bolts, nails, and to cut protruding metal flush with a surface.

SAFETY

1. Keep fingers, hands, and other parts of the body clear of the cutting edges of bench shears, the shearing machine, hand shears, and nippers.
2. Do not carry shears or nippers in your pocket.
3. Always steady the work that is to be cut.
4. After use, be sure to hang the tools or store them in their proper place.

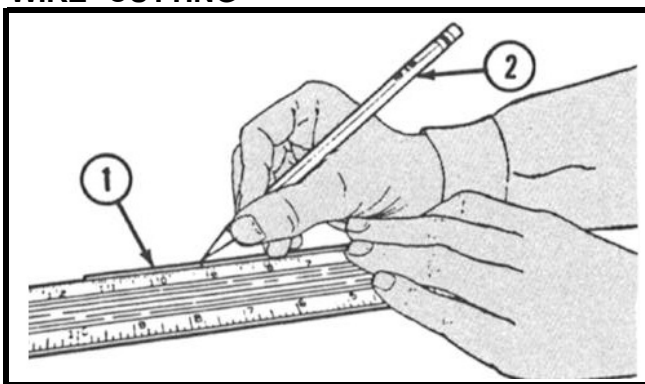
USING CUTTING NIPPERS



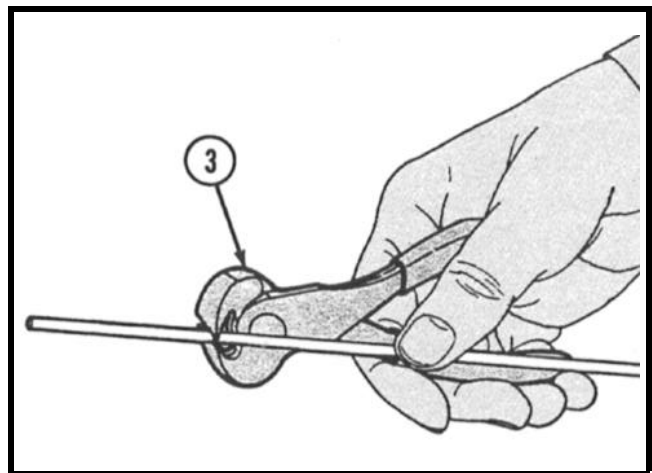
WARNING

WEAR EYE PROTECTION AND WATCH THE FINGERS.

WIRE CUTTING



- 1 Place the wire (1) on the table. Measure the section to be cut off. Mark it with pencil, chalk, soapstone or other suitable marking piece (2).



- 2 Take the nippers (3) in the right hand and place the cutting edge on the mark.

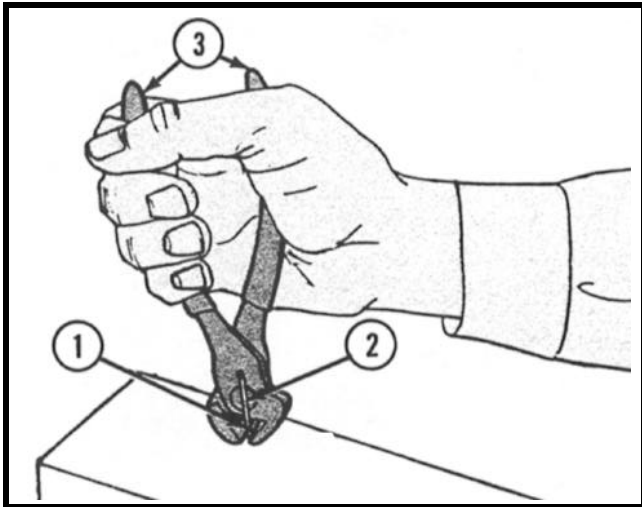
NOTE

Left-handed people will reverse this procedure.

- 3 Squeeze the handles together slowly, exerting enough pressure to cut the wire.
- 4 Repeat procedure for as many pieces of wire as need to be cut.

USING CUTTING NIPPERS - Continued

FLUSH CUTTING



- 1 Place the cutting edge (1) of the nippers over the nail, wire, rivet, or bolt (2) that is to be cut flush with the surface.
- 2 Squeeze the handles (3) together slowly, exerting enough pressure to cut the materials.
- 3 File cut edge smooth to prevent injury.

CARE OF SHEARS AND NIPPERS

1. Keep tools clean at all times. Lubricate the pivot screw or bolt with a drop of light oil.
2. Remove rust with a fine aluminum-oxide abrasive cloth.
3. Apply a thin film of oil on tools to prevent rust, and hang tools on hooks or place them on a shelf when not in use.
4. Do not throw cutting tools together in a box where the cutting edges may be damaged.
5. Do not use the shearing machine table as a storage place for other tools and work.
6. Do not attempt to cut material heavier than the tools or machines are designed to handle.
7. Do not use shears or nippers as hammers or pry bars, as they are easily damaged.
8. Dull shears can usually be sharpened on an oilstone or with a file.

CAUTION

Do not grind shears if sharpening is all that is necessary. Most shears become useless after two or three grindings.

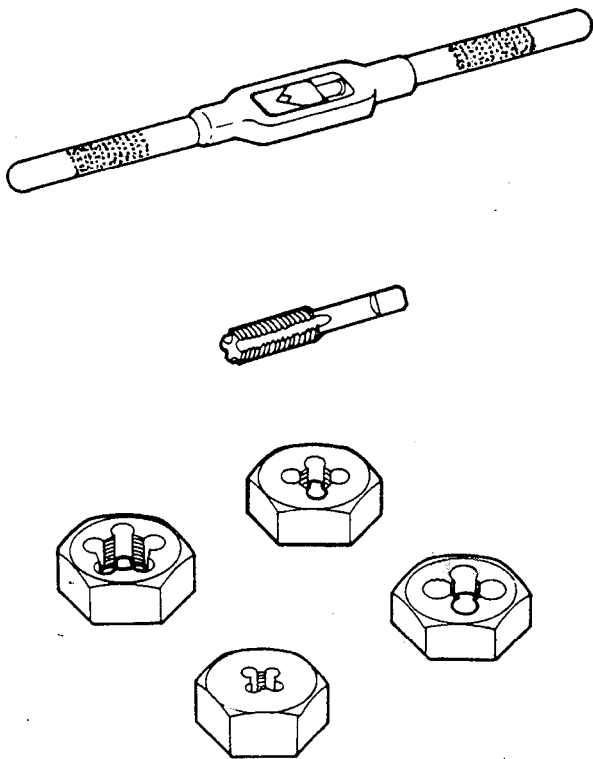
9. Grind the shears and nippers only if the cutting edges become nicked, damaged, or distorted from improper sharpening or prolonged use.
10. For long-term storage, coat tools with a rust-preventive compound and store in a dry place where the cutting edges will not come in contact with other metal objects.

Chapter 38 TAPS AND DIES

HOW TO CHOOSE AND USE THEM

The "Types and Uses" section provides you with a list of some of the types of taps and dies. These pages should help you select the right taps and dies to do the job.

The "Using" section tells you how to use taps and dies to perform the desired functions. The "Care" procedures tell you how to care for the item.



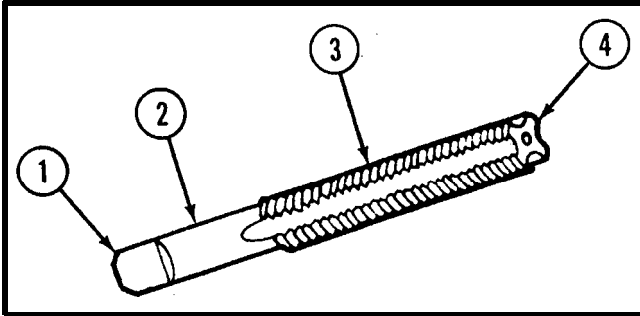
INDEX

<i>Item</i>	<i>Page</i>
TYPES AND USES	38-2
Taper hand tap	38-2
Bottoming hand tap	38-2
Plug/Pipe hand tap	38-2
Boiler hand taps	38-2
Staybolt taps	38-3
Mud hand tap	38-3
DIES	38-3
Rethreading die	38-3
Two-piece collet die	38-3
Round split adjustable die	38-4
Thread cutter set	38-4
USING	38-4
Hand tap	38-4
Die and diestock	38-5
CARE	38-7

TYPES AND USES

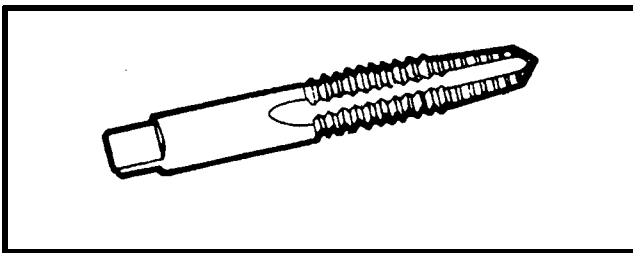
Taps and dies are used to cut threads in metal, plastics or hard rubber. The taps are used for cutting internal threads, and the dies are used to cut external threads.

TAPS



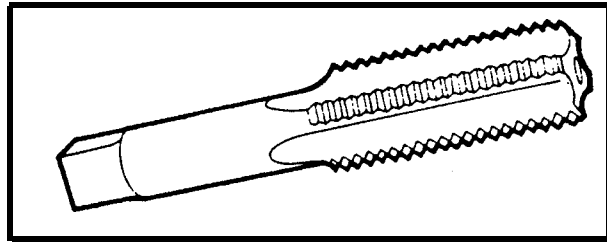
Taps are made of hardened steel and have the following parts: a square end (1) a round shank (2) a body (threaded) section (3) and a chamfer (4). The square end is used to turn the tap with either a straight or T-handled tap wrench. The shank is a smooth, rounded section which is immediately behind the threaded section. The body (threaded) section contains four flutes which have threads cut into their upper edges. They have a hollow section near the center to permit metal shavings to fall away from the cutting edges. The chamfer is the non-threaded end of the tap. It allows the tap to be positioned squarely in the metal to be threaded without engaging the threads of the tap.

TAPER (STARTING) HAND TAP



The taper (starting) hand tap has a chamfer (non-threaded) length equal to eight to ten threads. The taper hand tap is used to start tapping operations.

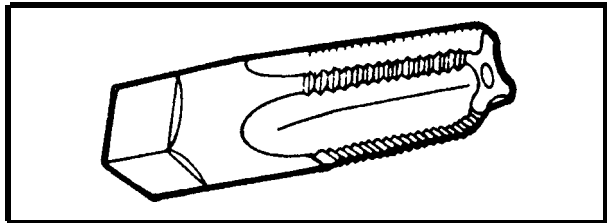
BOTTOMING HAND TAP



The bottoming hand tap has a chamfer length equal to one to one and one-half threads. This tap is used for threading the bottom of a blind hole only after the taper and plug taps have been used.

This tap is also used when tapping hard materials.

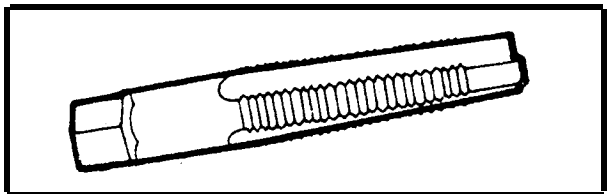
PLUG/PIPE HAND TAP



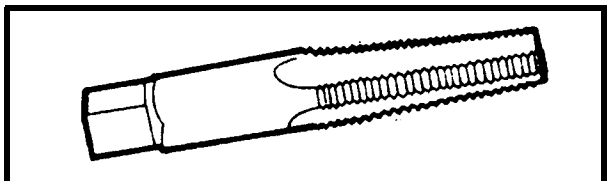
The pipe tap has a tapered diameter which increases at a rate of 3/4 inch per foot. All the threads on the pipe tap are designed to cut pipe. The pipe tap is used for cutting pipe fittings and in other places where extremely tight fits are required.

BOILER HAND TAPS

There are two types of boiler taps, straight and tapered.



Straight boiler taps range in size from 1/2 inch to 1-1/2 inches in diameter and have a chamfer for starting the tap.



Tapered boiler taps have tapered diameters which increase at a rate of 3/4 inch per foot.

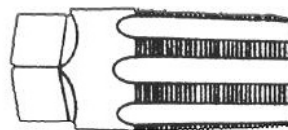
TYPES AND USES - Continued

STAYBOLT TAPS



Staybolt taps are used in boiler, locomotive, and railroad shops for tapping holes in the outer and inner plates or shells of boilers. The staybolt tap has two separate threaded areas. The first is for cutting threads and the second is for guiding the tap into another piece of metal for threading by the cutting threads. The spindle-type staybolt has an adjustable spindle which changes the distance between the cutting threads and the guide threads.

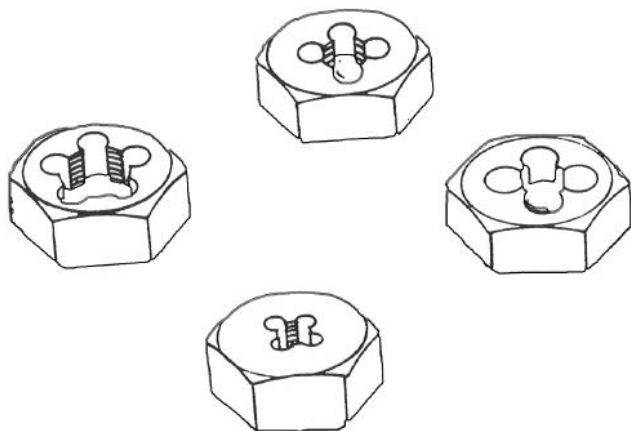
MUD HAND TAPS (WASHOUT TAP)



The mud or washout tap has six flutes, tapers 1-1/4 inch per foot, and has 12 threads per inch. It is used for cutting American National or V-form threads in mud plug drain holes.

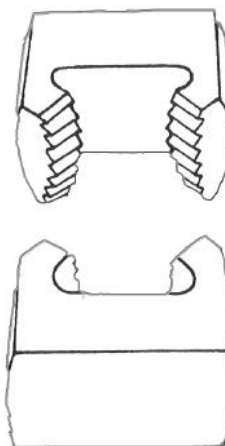
DIES

RETHREADING DIE



Rethreading dies are used to restore bruised (rounded) or rusty threads on screws and bolts. The rethreading die is hexagonal in shape and may be turned with a socket, box, open-end, or any other wrench that will fit. They are available in American Coarse and Fine Threads. Rethreading dies are available in a variety of sizes and are usually assembled in sets with a case.

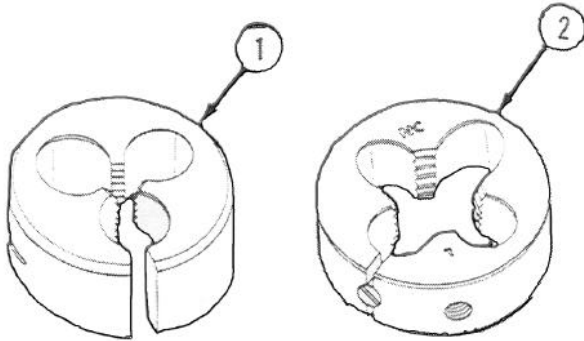
TWO-PIECE COLLET DIE



The two-piece collet die consists of the two die sections, the collet cap, and collet guide. The die sections are placed inside the cap and held in place by the guide. Adjustment of the die is done by turning setscrews on either end of the internal slot. They are used to cut American Standard Coarse and Fine Threads and are available in assorted sizes.

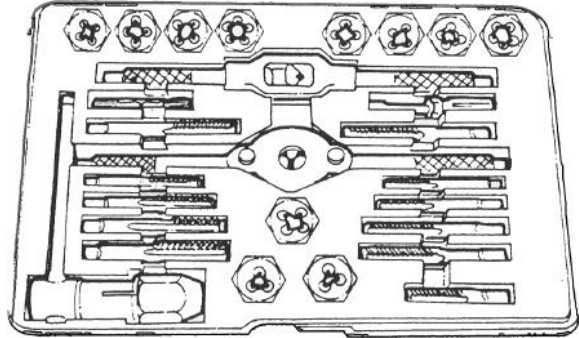
DIES - Continued

ROUND SPLIT ADJUSTABLE DIE



The round split adjustable die (1), or button die, may be adjusted through the screws on the holder. Adjustment on the open type is done by turning the three screws on the holder. One expands the die while the other two compress the die. Adjustment of the screw type (2) is done by turning a fine-pitch screw that either forces the die jaws apart or allows them to spring together. The round split adjustable dies are used to cut American Standard Coarse and Fine Threads. A die holder or handle is needed for proper operation of round split adjustable dies.

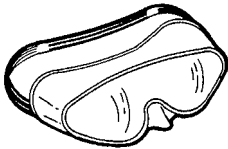
THREAD CUTTER SET



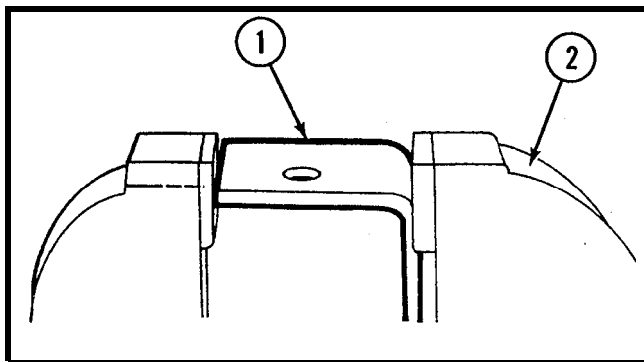
The thread cutter set is made up of a combination of taps, dies, diestocks, tap wrenches, guides, and screwdrivers and wrenches for making adjustments. Thread cutter sets are used for cutting internal and external threads.

USING A HAND TAP

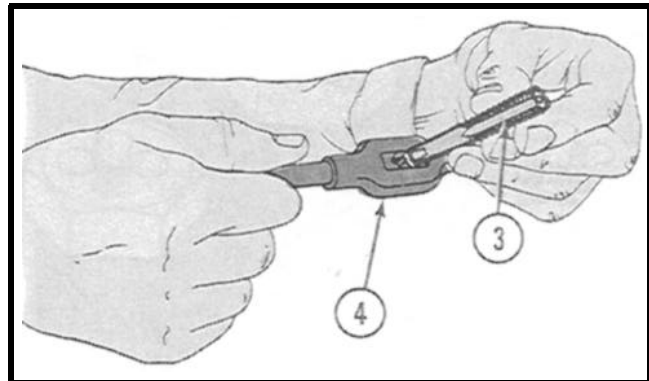
The following procedures may also be followed when using a taper tap or a bottoming hand tap.



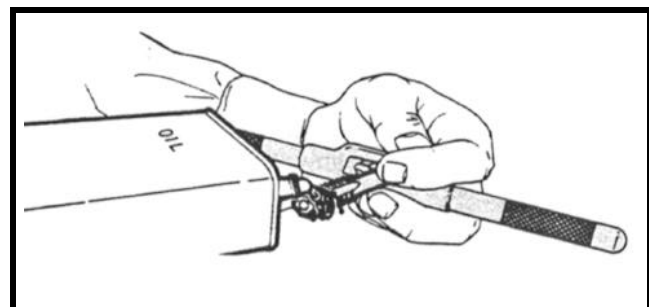
WARNING
WEAR EYE PROTECTION.



1 Clamp a steel plate (1) securely in a vise (2). Drill and ream a hole of desired size.

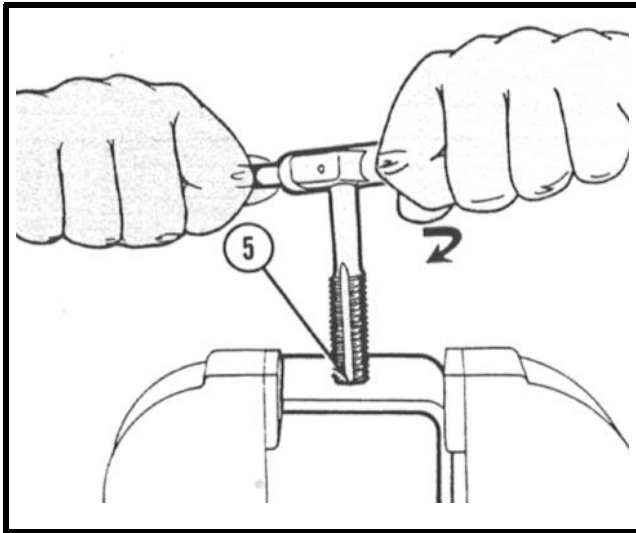


2 Select tap (3) and secure in tap wrench (4).

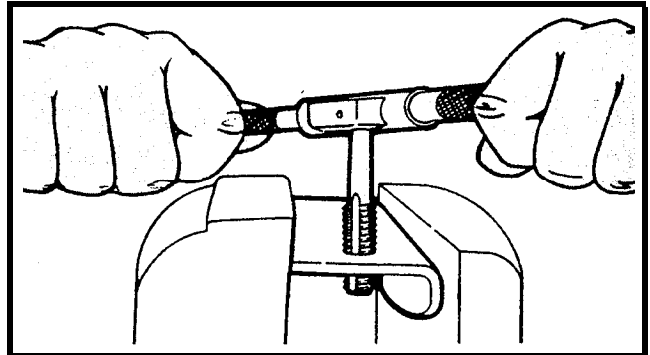


3 Apply cutting oil to the tap and the hole.

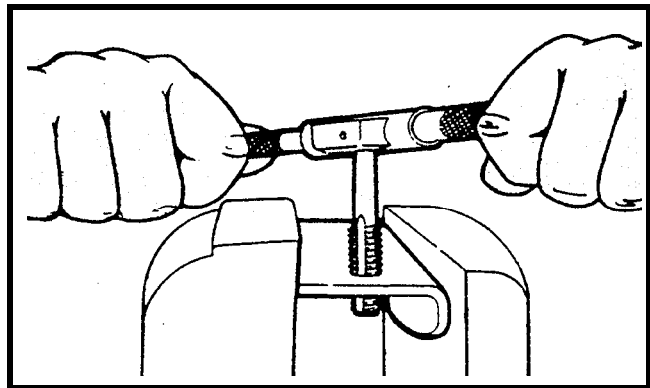
USING A HAND TAP - Continued



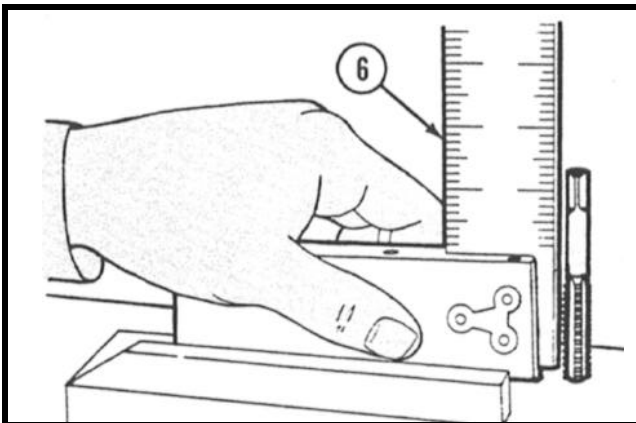
- 4 Place point of the tap in hole (5) and rotate clockwise for right-hand threads or rotate left-handed tap counterclockwise for left-hand threads.



- 6 Replace the tap wrench and continue tapping operation. It is not necessary to apply pressure, as the threads will be pulled through at all times.



- 7 Remove tap by turning in the opposite direction. Wipe excess oil and metal shavings from metal plate. Check newly-cut threads with screw pitch gage before inserting screw or stud.



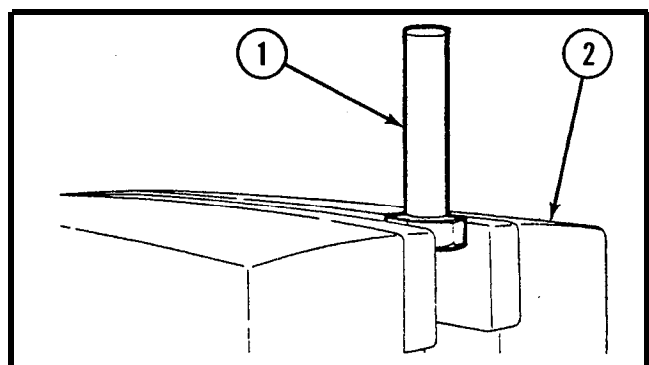
- 5 Remove tap wrench and, using a square (6), check tap for squareness. Check at least two different positions on the tap.

USING A DIE AND DIESTOCK

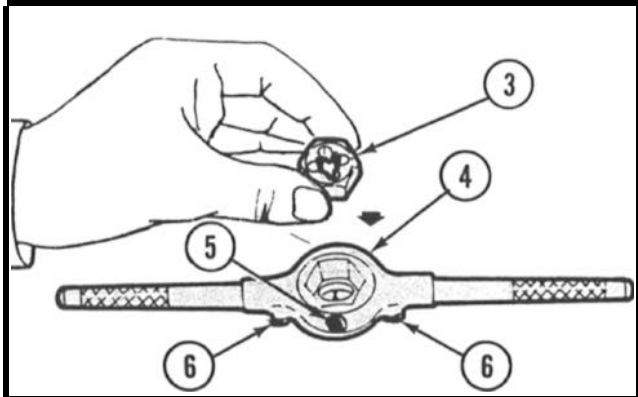
NOTE

Work to be threaded must be clean and free of burrs.

- 1 Secure the work (1) firmly in a vise (2).



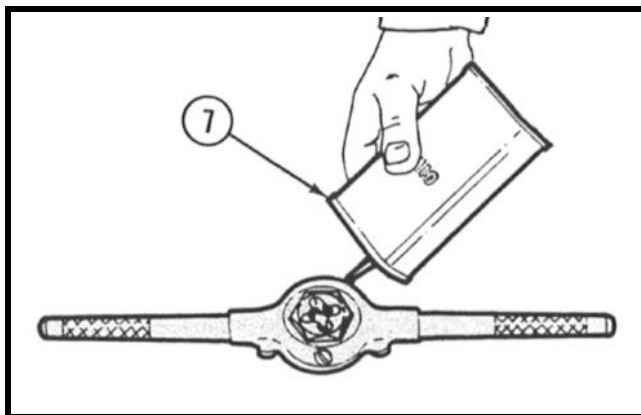
USING A DIE AND DIESTOCK - Continued



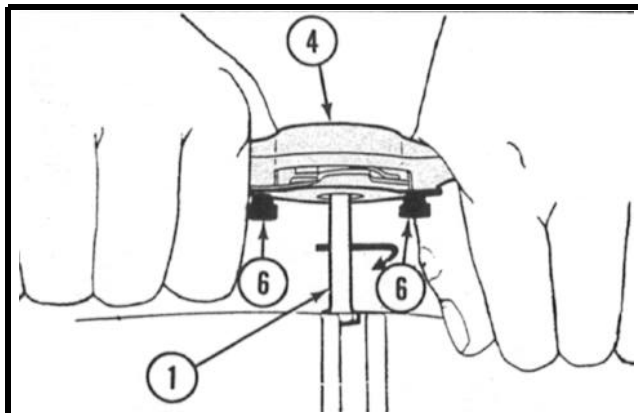
CAUTION

After assembling die to diestock, make sure setscrew is tight. Die could fall out of diestock causing damage to die.

- 2 Assemble die (3) and diestock (4). Tighten setscrew (5). Loosen the two thumbscrews (6) to adjust diestock (4).

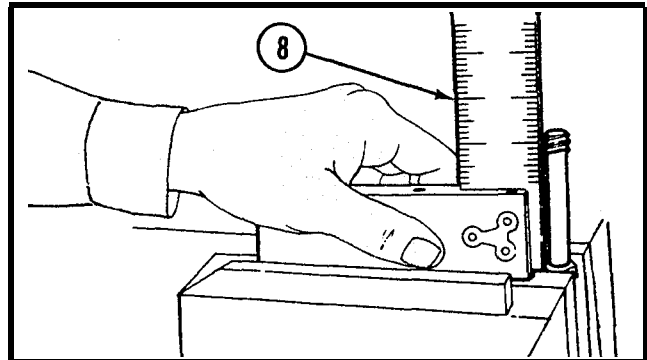


- 3 Apply cutting oil (7) to the die and to the work.

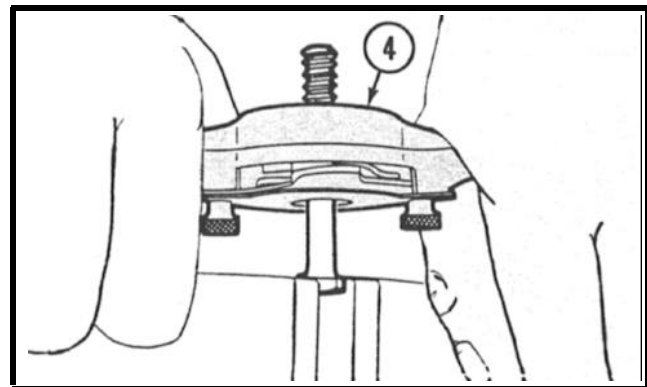


- 4 Position the diestock (4) over the work (1).

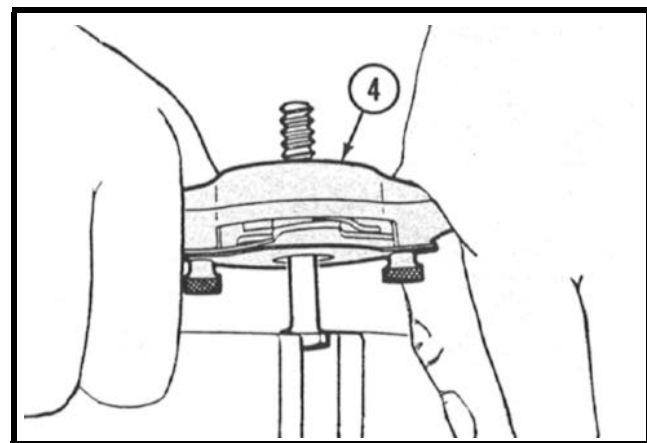
- 5 Tighten thumbscrews (6) securing diestock to work.
- 6 Rotate the diestock (4) clockwise, slowly but firmly, until the die takes hold.



- 7 Use square (8) to check squareness after several threads have been cut.

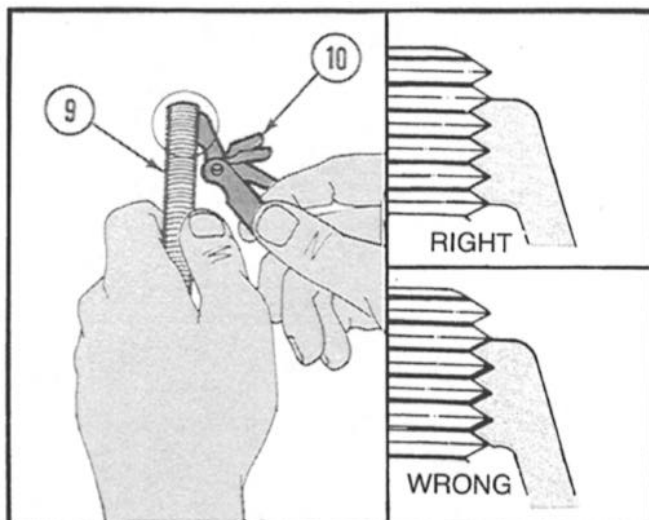


- 8 Turn the diestock (4) one turn forward and one-quarter turn backward. Repeat this procedure until desired thread length has been cut.

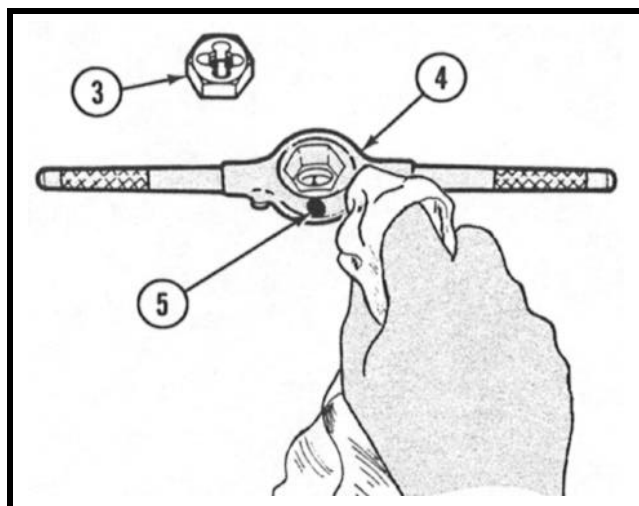


- 9 Carefully back the diestock (4) off the threads by turning in a counterclockwise direction.

USING A DIE AND DIESTOCK - Continued



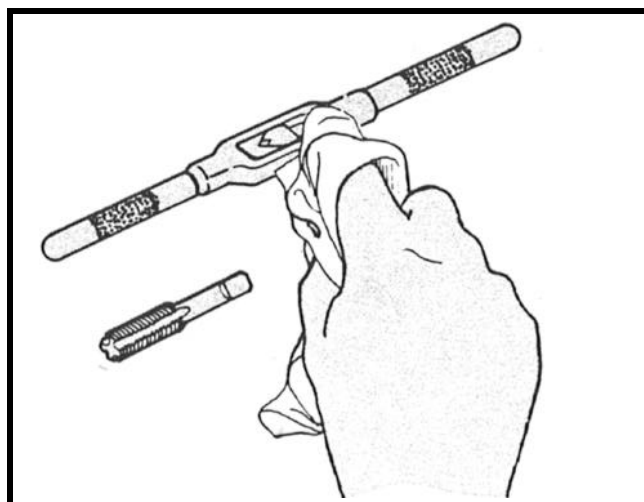
- 1 Clean threads (9) with a clean rag and check with a screw pitch gage (10) before using.



- 11 Disassemble die (3) and diestock (4) by loosening setscrew (5). Wipe clean with a rag.

CARE OF TAPS

1. Do not attempt to sharpen taps.
2. Keep cutting edges lightly oiled.
3. Wipe excess oil and metal shavings from tap and tapwrench.
4. Store them in a case or wrap individually in cloths to protect cutting surfaces.



CARE OF DIES

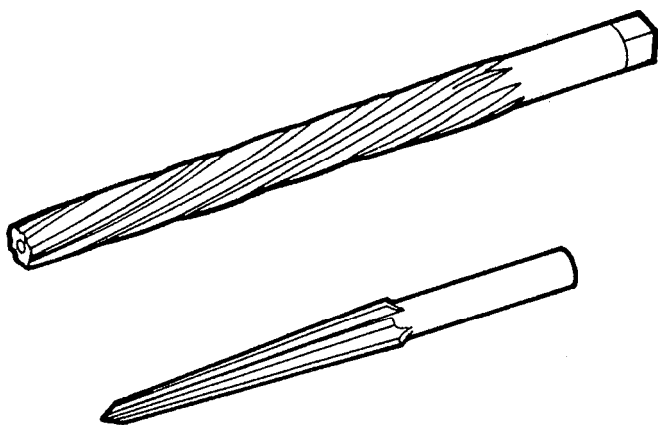
1. Do not attempt to sharpen dies.
2. Keep cutting surfaces clean and lightly lubricated.
3. Store in a case or wrap individually in cloths where they will not come in contact with other tools.

Chapter 39 REAMERS

HOW TO CHOOSE AND USE THEM

The "Types and Uses" section provides you with a list of some of the types of reamers. These pages should help you select the right reamer to do the job.

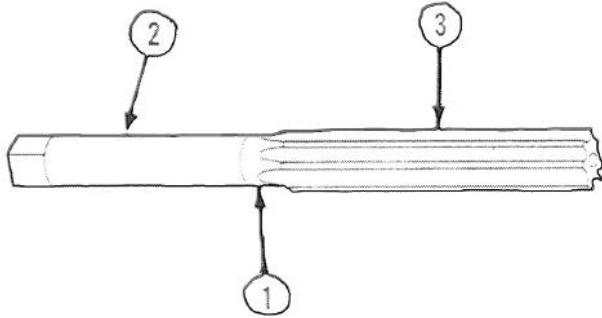
The "Using" section tells you how to use the reamer to perform the desired function. The "Care" procedures tell you how to care for the items.



INDEX

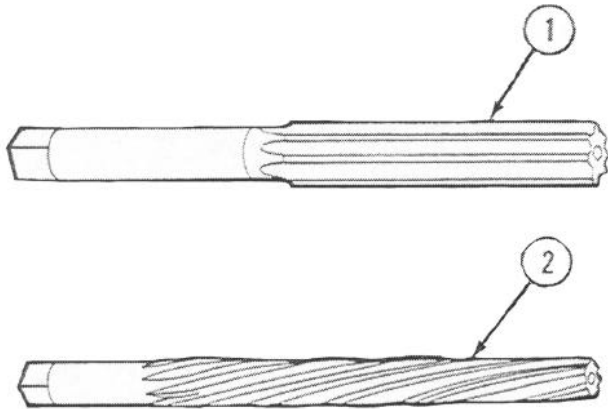
<i>Item</i>	<i>Page</i>
TYPES AND USES	39-2
Solid straight-hole reamer	39-2
Solid taper-pin reamer	39-2
Expansion reamer	39-2
Adjustable blade reamer	39-3
Pipe reamer	39-3
USING'	39-3
CARE	39-4

TYPES AND USES



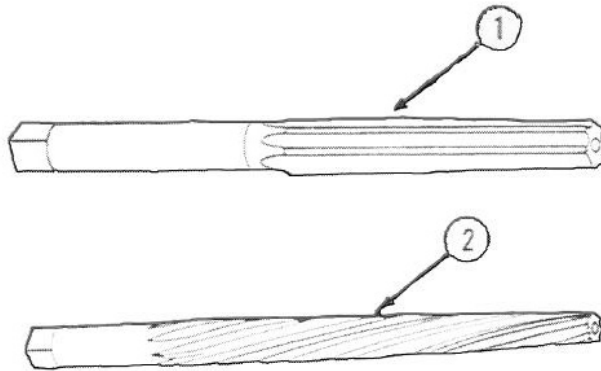
Reamers are used to enlarge and true a hole. They are also used to remove burrs from the inside diameters of pipes and drilled holes. The reamer consists of three parts, the body (1), the shank (2), and the blades (3). The shank has a square tang to allow the reamer to be held with a wrench for turning.

SOLID STRAIGHT-HOLE REAMER



A solid straight-hole reamer is made of one solid piece of high-speed steel having a straight shank and straight (1) or spiral flutes (2). The cutting edges, or lands, between the flutes are usually evenly spaced. Some have irregularly spaced lands to prevent the tool from chattering. They come in sizes from 1/16 inch to include 3-inch diameters. Reamers are also available in sets containing 25 reamers in 1/64-inch increments from 1/8 inch to 1/2 inch. The sets may be mixed to include straight and taper pin reamers. Each reamer size is stamped on the shank of the tool. Solid straight-hole reamers are used for most work since they are the most accurate and the most rugged of the straight-hole reamers.

SOLID TAPER-PIN REAMER



Solid taper-pin reamers are used to finish tapered holes for the insertion of tapered pins or other tapered parts. They are made with a standard taper of 1/4 inch per foot. Solid taper-pin reamers come with straight (1) or spiral flutes (2). Sizes range from 5/0 to 14, with the diameter at the large end ranging from 0.0984 to 1.5412 inches. They also come in sets of 10, sizes 3/0 to 7, and a set of 11, sizes 0 to 10. They are also included in mixed sets of straight and taper-pin reamers.

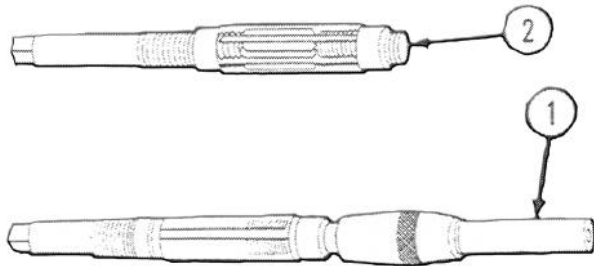
EXPANSION REAMER



Expansion reamers are adjustable, and their sizes may be changed by 1/8 inch for a 1 -inch reamer and 5/16 inch for a 2-inch reamer. The expansion reamer is made of carbon steel and has longitudinal cuts in some of its flutes. It is hollowed out and threaded to receive a tapered screw plug. The diameter of the reamer is changed by screwing in or backing out the screw plug. The standard sizes range from 1/4 inch to 1 inch, by 32nds. A 1/4-inch expansion reamer will enlarge the hole to a 9/32-inch hole, etc. It is used for general purposes and is considered the most practical reamer.

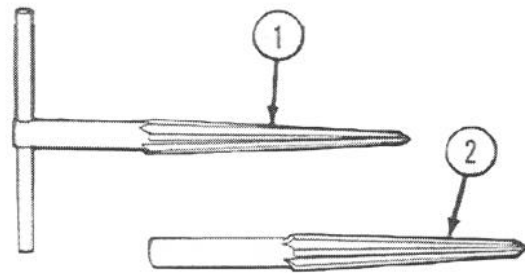
TYPES AND USES - Continued

ADJUSTABLE-BLADE REAMER



The blades of an adjustable reamer are separate from the body and are fitted into grooves in the threaded shank of the tool. Adjusting nuts located below and above the blades control the diameter of the reamer. The reamers come with straight (1) or spiral flutes (2), with or without a floating pilot on solid mandrels, and in several sizes. Adjustable reamers are also available in sets. They are used to enlarge drilled holes to an exact true size using a series of small cuts rather than one deep cut.

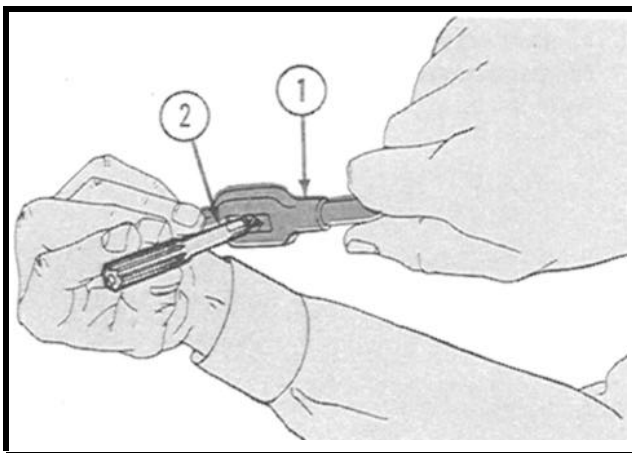
PIPE REAMER



Pipe reamers are made of carbon steel. They are tapered with straight or spiral flutes. They come in three sizes, 1/8-inch to 1-inch pipe capacity, 1/4-inch to 1-1/4-inch pipe capacity, and 1/4-inch to 2-inch pipe capacity. Most pipe reamers are designed to receive a T-handle (1). Others (2) have a tapered square shank for use with a brace, or a round shank for use with a hand drill. They are used to remove burrs from the inside diameters of pipe and drilled holes.

USING A SOLID STRAIGHT-HOLE REAMER

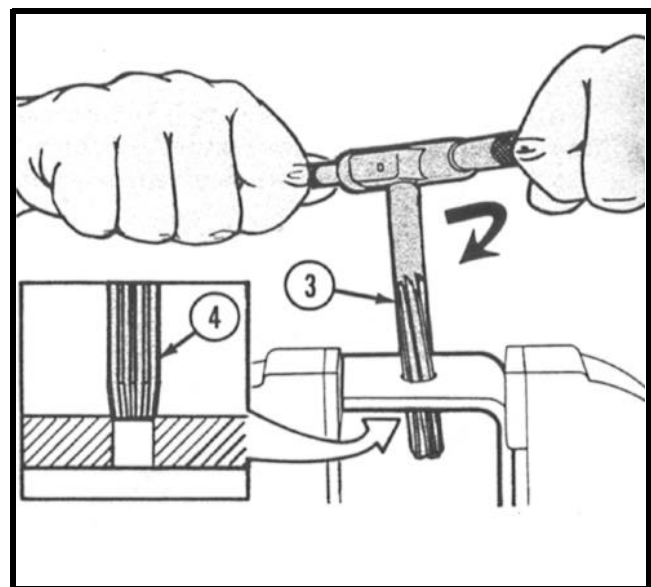
- 1 Secure the work in a vise so that the hole to be reamed is perpendicular to the top of the vise jaws.



- 2 Using a tap wrench (1), tighten the handle to the square end of the reamer shank (2).

CAUTION

Do not turn the wrench counterclockwise at any time. To do so will cause the reamer to become dull.

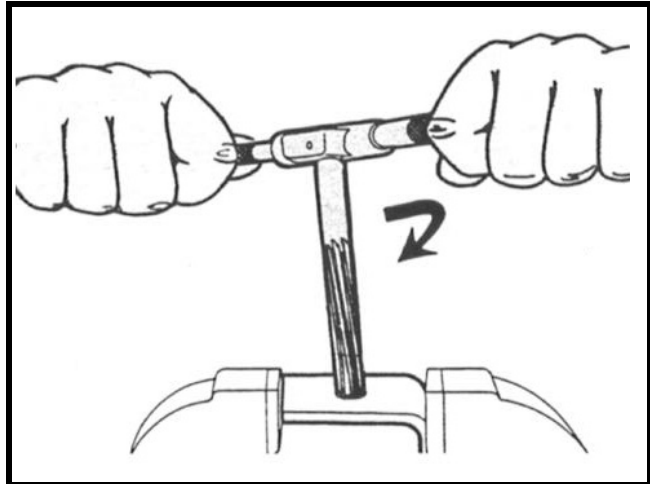


- 3 Position the reamer (3) at the top of the hole. Turn the wrench clockwise very slowly until the reamer is centered in the hole. Straight-hole reamers (4) have a slight taper at the end so they will fit into the hole easily.

USING A SOLID STRAIGHT - HOLE REAMER - Continued

4 Turn the wrench clockwise with a steady, firm pressure until the reamer has been turned in the hole. When reaming steel, use cutting oil or machine oil to lubricate the tool. When reaming soft iron, do not lubricate the tool. Turning the wrench too fast or too slowly will cause the reamer to chatter, producing an unevenly reamed hole.

5 Remove the reamer from the hole by turning the wrench clockwise and raising the reamer at the same time.



CARE OF REAMERS

1. Keep reamers absolutely clean to do accurate work.
2. Do not use the reamer to remove more than 0.002 to 0.003 inches of metal. If the hole is too small, enlarge it with a drill before reaming it.
3. If the proper pressure is applied in use and the reamer chatters, replace it to insure accurate work.
4. If the reamer edges are only slightly dulled, honing the edges on an oilstone may restore the sharpness. On an adjustable reamer, the blades may be replaced.
5. To prevent chipping or dulling the reamer when you are reaming a hole, turn the reamer in the cutting direction only.
6. To prevent damage to the reamer for short-term storage, wrap it in an oily cloth and keep it in a box.
7. For long-term storage, clean reamer thoroughly and coat with rust-preventive compound. Wrap each reamer separately in oiled cloth and store in a dry, safe place.

Chapter 40 BENDERS

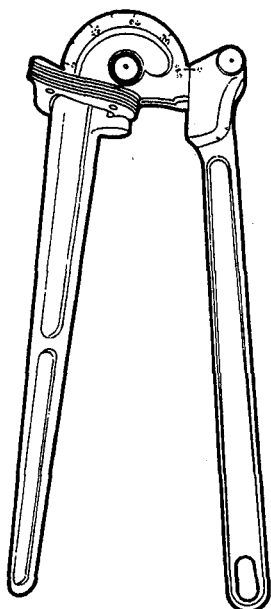
HOW TO CHOOSE AND USE THEM

The "Types and Uses" section provides you with a list of some of the types of benders. These pages should help you select the right bender to do the job.

The "Using" section tells you how to use the bender to perform the desired function. The "Care" procedures tell you how to care for the items.

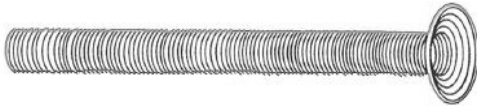
INDEX

<i>Item</i>	<i>Page</i>
TYPES AND USES	40-2
Spring tube benders	40-2
Hand tube bender	40-2
Electrical conduit hand bender	40-2
USING	40-3
CARE	40-4



TYPES AND USES

SPRING TUBE BENDERS

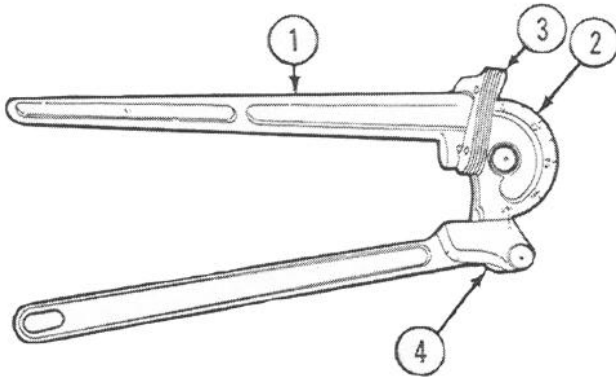


There are two types of spring tube benders, external and internal. The spring tube bender permits the bending of small diameter tubing by hand without collapsing the tubing.

External benders are used to bend straight sections of tubing which have at least one end which has not been flared. They are available in 1/4, 5/16, 3/8, 7/16, 1/2, and 5/8-inch diameters.

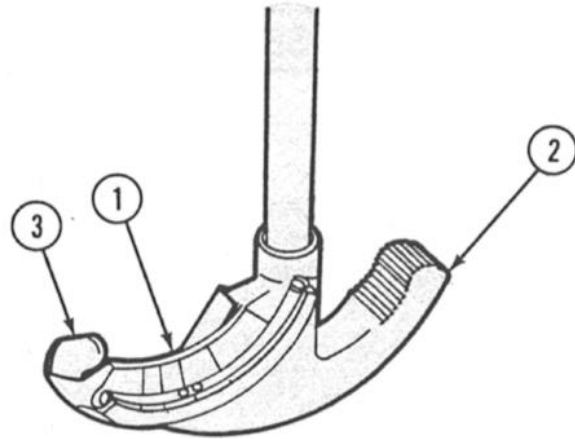
Internal benders are used for bending straight sections of tubing which have both ends flared. They are available in 3/8, 1/2, and 5/8-inch outside diameters.

HAND TUBE BENDER



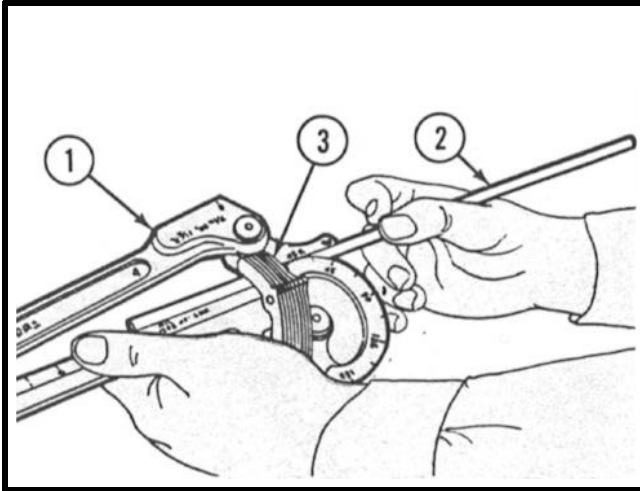
The hand tube bender consists of the following components: a handle (1) a radius block (mandrel) (2), a clip (3) and a slide bar (4). The radius block is graduated from 0 to 180 degrees, and the slide bar has a scribe mark which indicates the degree of bend. These benders are available in 3/16, 1/4, 5/16, 3/8, and 1/2-inch sizes. The hand tube bender is used to bend copper, brass, or aluminum tubing to specific angles.

ELECTRICAL CONDUIT HAND BENDER

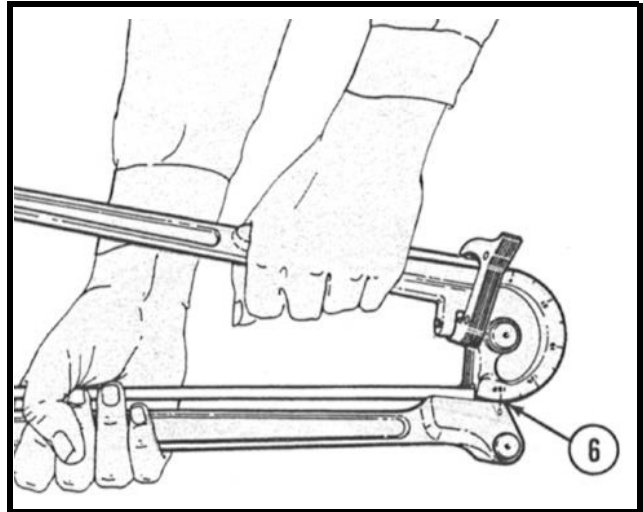


The electrical conduit hand bender has precise grooves to insure a smooth bend. It has a concave base (1), a foot rest (2) and a retaining hook (3) to keep conduit from slipping as it is being bent. The bender has a threaded opening for attaching a threaded piece of pipe to be used as a handle. Electrical conduit hand benders are available in 1/2, 3/4, 1, 1-1/4, 1-1/2, and 2 inches in diameter. They are used to bend thin wall and rigid conduit to allow for flat installation on inside building walls.

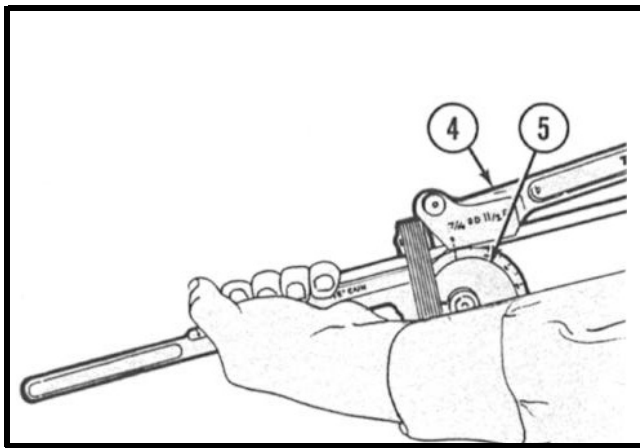
USING A TUBING BENDER



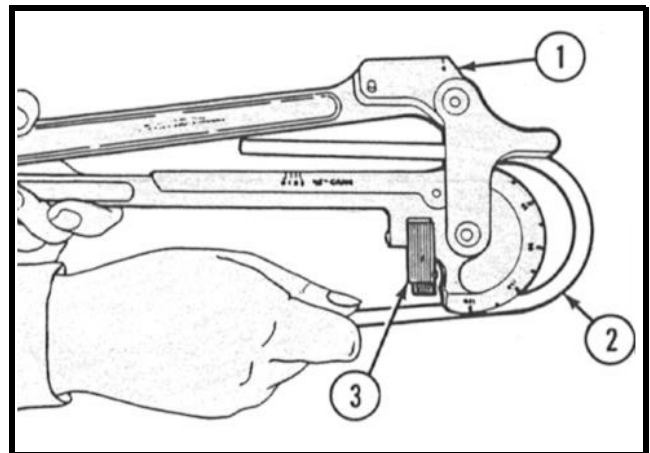
- 1 Raise slide bar (1) and insert tubing (2) to be bent.
- 2 Raise locking clip (3) and lock tubing in place.



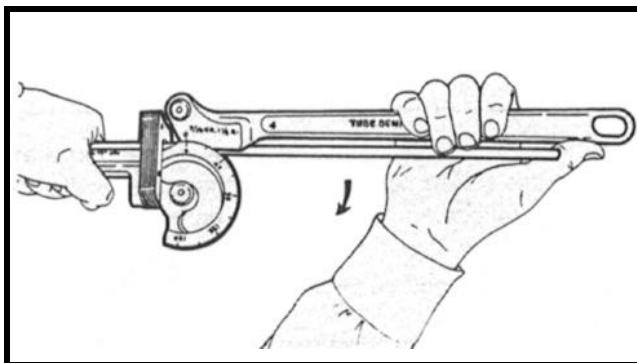
- 5 Stop bending the tubing when the zero mark on the slide bar matches the desired angle (6) on the block.



- 3 Lower slide bar. The zero mark (4) on the slide bar should match up with the zero mark on the block (5).

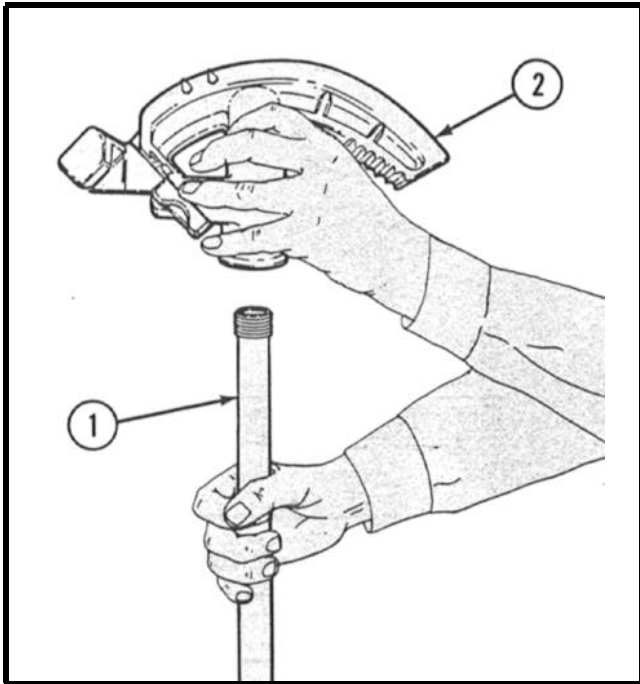


- 6 Raise the slide bar (1), lift up the locking clip (3) and remove the bent tube (2).

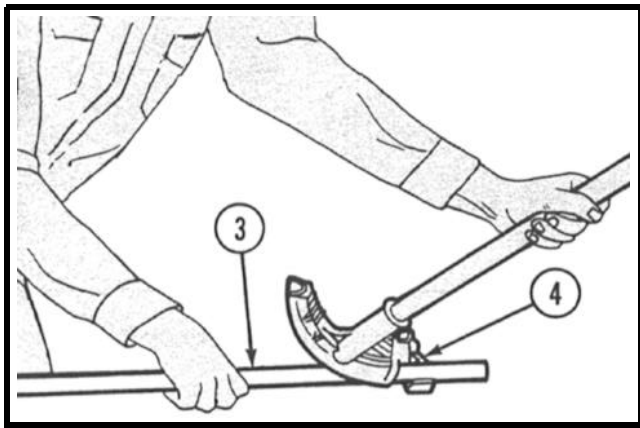


- 4 Apply downward pressure on the slide bar.

USING AN ELECTRICAL CONDUIT HAND BENDER



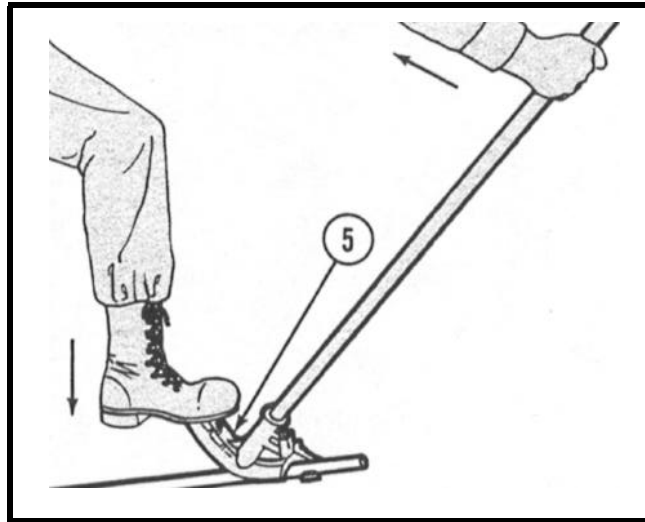
- 1 Install handle (1) on bender (2). A section of threaded pipe may be used as a handle.



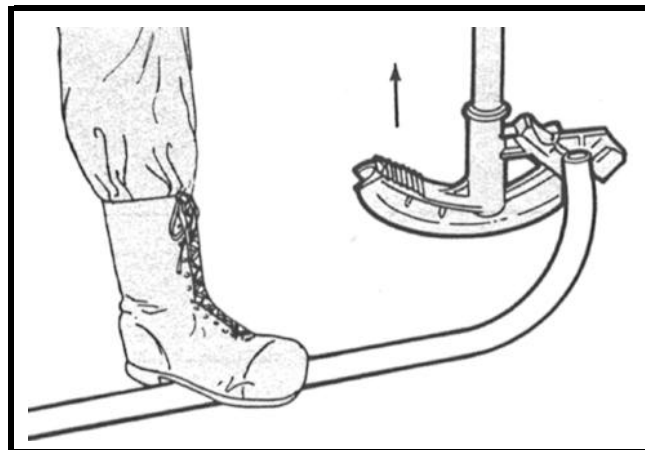
- 2 Tip the bender forward and slide the section of conduit (3) to be bent through the retaining hook (4).
- 3 Place mark where bend is to start opposite the arrow on the front end of the bender.

CAUTION

Do not jerk the handle, as this will create internal cracks and ridges inside the conduit which will cut the wires.



- 4 Place one foot on the foot rest (5) and push down with your foot while pulling back on the handle. Apply steady pressure throughout the entire bending process.



- 5 When desired bend has been obtained, release the pressure on the conduit by returning the handle to an upright position and slide the conduit out of the bender.

CARE OF BENDERS

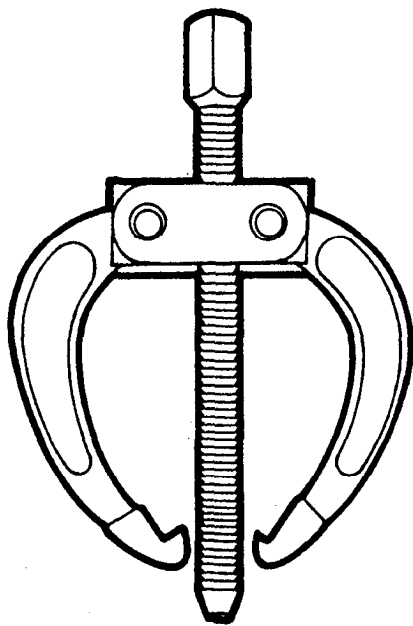
1. Clean all grease and oil from gripping surfaces with a rag.
2. Apply a light coat of oil to non-gripping surfaces.
3. Store in a safe, dry place.

Chapter 41 PULLERS

HOW TO CHOOSE AND USE THEM

The "Types and Uses" section provides you with a list of some of the types of pullers. These pages should help you select the right puller to do the job.

The "Using" section tells you how to use the puller to perform the desired function. The "Care" procedures tell you how to care for the items.

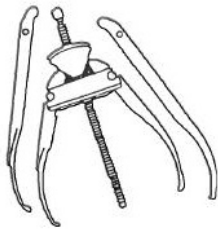


INDEX

<i>Item</i>	<i>Page</i>
TYPES AND USES	41-2
Universal gear puller	41-2
Gear and bearing puller	41-2
Universal bearing and bushing puller ...	41-2
Electrical unit bearing puller	41-2
Battery terminal and small gear puller ...	41-2
Steering gear arm puller	41-2
Push and pull puller set	41-3
Steering wheel puller set	41-3
Wheel puller set	41-3
Cylinder sleeve puller	41-3
Slide hammer puller	41-4
Cotter pin puller	41-4
USING	41-4
CARE	41-5

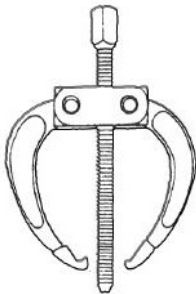
TYPES AND USES

UNIVERSAL GEAR PULLER



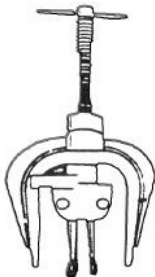
The universal gear puller is usually of yoke and screw construction with two jaws. The jaws have a capacity from 0 to 14 inches in diameter. The universal gear puller is used for pulling gears, pulleys, and wheels.

GEAR AND BEARING PULLER



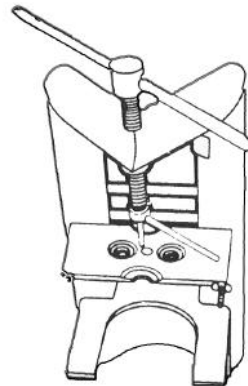
The gear and bearing puller is used to pull gears, bearings, pinions, sheaves, pulleys, and wheels. It is a screw-type puller with two jaws. The grip tightens as pull is increased. The gear and bearing puller has a maximum spread of 5-1/2 inches.

UNIVERSAL BEARING AND BUSHING PULLER



The universal bearing and bushing puller has interchangeable jaws. It provides a pulling capacity of up to 1-1/4 inches. The larger jaws are used for removing bronze or oilite bushings without crumbling them. The smaller jaws are used to pull clutch pilot bearings.

ELECTRICAL UNIT BEARING PULLER



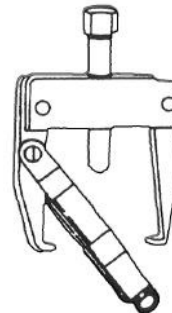
The electrical unit bearing puller is used to pull bearings from shafts of electrical units. It is supplied with plates to fit a variety of unit constructions and to fit behind the particular shaft bearings to be pulled.

BATTERY TERMINAL AND SMALL GEAR PULLER



The battery terminal and small gear puller is a screw-type puller for use in close quarters. In addition to pulling battery terminals, it is used to pull small gears and bearings.

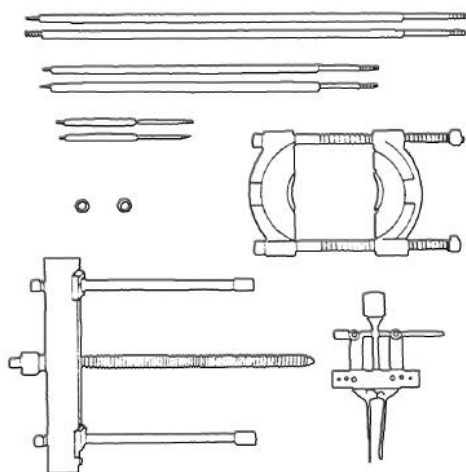
STEERING GEAR ARM PULLER



The steering gear arm puller is used for pulling steering gear arms. It also can be used for a wide variety of other pulling jobs. The clamp locks the puller on the arm, leaving both hands free for pulling.

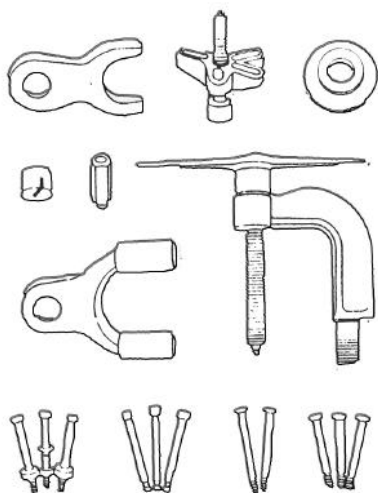
TYPES AND USES - Continued

PUSH AND PULL PULLER SET



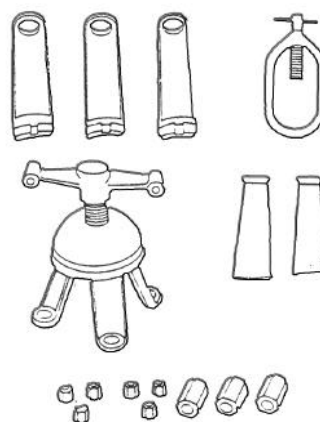
The push and pull puller set is used in conjunction with a variety of attachments and adapters. The push and pull puller consists of a 13-1/2-inch steel bar which is slotted to receive two 9-1/2-inch legs. A pressure screw in the center of the bar is 13 inches long. It has a diameter of one inch, and it is threaded. This puller is universal and versatile. With the use of the bearing pulling attachment, bearing cup pulling attachment, sheave pulling attachment, threaded adapters, step plate adapters, additional legs, and many other special adapters, this puller is capable of removing or replacing bearings, gears, pinions, pulleys, wheels, and bushings. The push and pull puller set has many other uses.

STEERING WHEEL PULLER SET



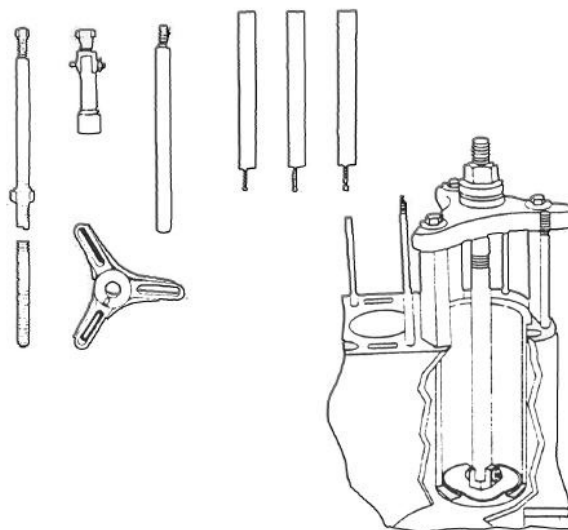
The steering wheel puller consists of all the units necessary for removal of steering wheels from early models of cars and trucks up to the present models.

WHEEL PULLER SET



The universal wheel puller set consists of a body and drive assembly that receives three long jaws, three short jaws, or a special grooved hub set. The interchangeable jaws pivot and swing to any desired bolt circle. Tapered, right and left hand threaded stud nuts complete the set; all of which are carried in a metal case. The wheel puller set is capable of pulling any demountable wheel hub for any passenger car, and most lightweight trucks.

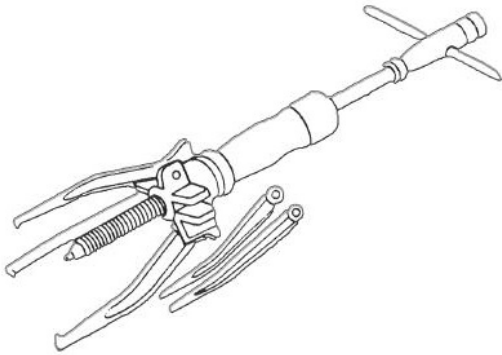
CYLINDER SLEEVE PULLER



The universal cylinder sleeve puller is used to pull cylinder sleeves from engine blocks. It is adjustable to provide clearance regardless of the position of the cylinder studs and to simplify centering the tool over the bore. This puller is used in conjunction with four adapter plates supplied with the puller. The combination is capable of pulling cylinder sleeves 4-1/4, 4-1/2, 4-3/4, and 5-3/4 inches in diameter.

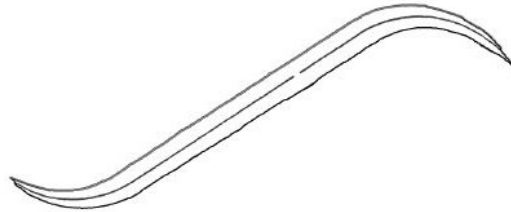
TYPES AND USES - Continued

SLIDE HAMMER PULLER



The slide hammer puller set is a universal-type puller equipped with a two and three-way yoke, three medium jaws for outside pulls and two small jaws for inside pulling. The small jaws can be inserted through a 1/2-inch opening. The capacity of the medium jaws is 6-1/4 inches. The slide hammer puller is also equipped with a locking feature which holds the jaws open or locks them on the work.

COTTER PIN PULLER



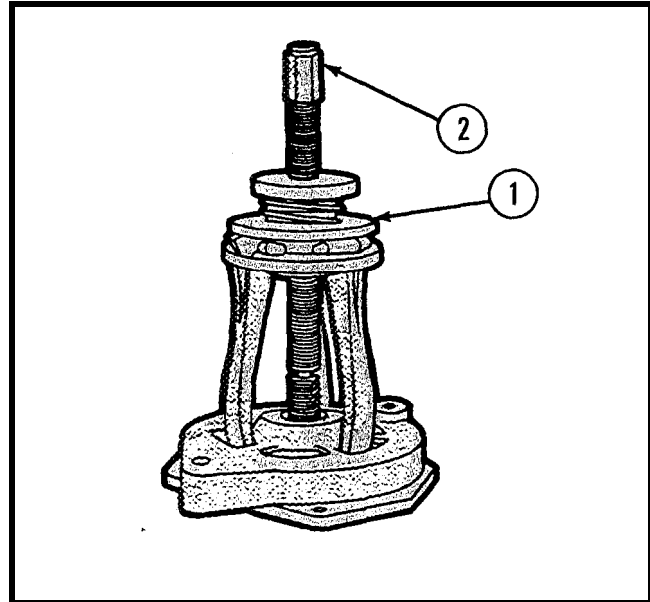
A cotter pin puller is an S-shaped tool used to install or to remove cotter pins. One end is used to insert through the cotter pins for extracting. The other end is used for spreading the cotter pin. The shank is beveled square for easy handling and for a firm grip. This type is seven inches long.

USING A GEAR AND BEARING PULLER

- 1 Check all gripping edges and threads of a puller for damage before using it.
- 2 Place the puller (1) firmly in position and secure it.
- 3 Use the proper size wrench for turning the pressure screw or nut (2) to avoid rounding the corners of the nut or of the screw head.
- 4 Turn the pressure screw or nut slowly in a clockwise direction until the gear bearing is removed.

WARNING

TURN THE PRESSURE SCREW OR NUT SLOWLY TO PREVENT INJURY AS THE GEAR BEARING IS RELEASED.



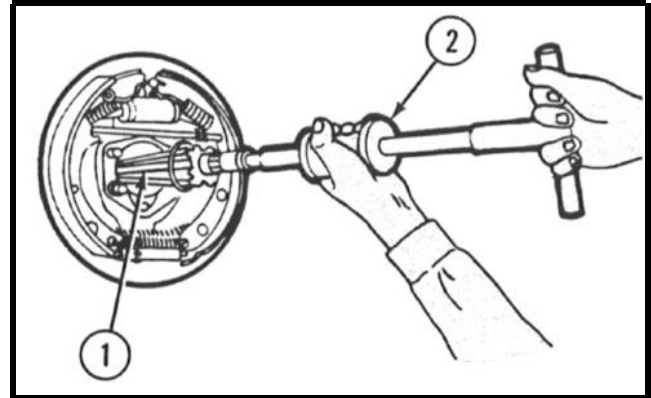
USING A SLIDE HAMMER PULLER SET

- 1 Check to make sure that you have all parts before starting the process. Make sure the threads are clean and will move freely.
- 2 Lock the jaws (1) on the gear with the locking feature and slide the hammer handle (2) up the shaft in the direction of the pull.

WARNING

DO NOT SLIDE THE HANDLE TOO RAPIDLY. THE GEAR MAY FLY OFF AND CAUSE INJURY.

- 3 Slide the handle in a series of slides until the gear is loose or comes off.



CARE OF PULLERS

- 1 Keep pullers clean at all times.
- 2 Do not grease or oil the gripping edges. This will cause the tool to slip.
- 3 Clean all the tools after use and store so the threads will not become damaged.
- 4 Make certain that attachments and adapters are stored with the basic puller and that they do not become separated.
- 5 Oil pullers after use and wipe clean before using again.
- 6 When storing for long periods, apply a coat of rust-preventive compound on the tools and store them in a dry place.

Chapter 42 BARS

HOW TO CHOOSE AND USE THEM

The "Types and Uses" section provides you with a list of some of the types of bars. These pages should help you select the right bar to do the job.

The "Using" section tells you how to use the bar to perform the desired function. The "Care" procedures tell you how to care for the item.

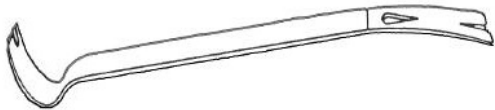


INDEX

<i>Item</i>	<i>Page</i>
TYPES AND USES	42-2
Wrecking bar	42-2
Crowbar	42-2
Pinch bar	42-2
Combination bar	42-2
SAFETY	42-2
USING	42-3
CARE	42-3

TYPES AND USES

Bars are steel tools used to lift and move heavy objects and to pry where leverage is needed. They can also be used to remove nails and spikes, and to loosen hard soil for digging. The most commonly used types of bars are the wrecking bar, crowbar, pinch bar, and combination pry bar. These bars range from 12 inches to 72 inches in length, depending upon their design and the purpose for which they are used.

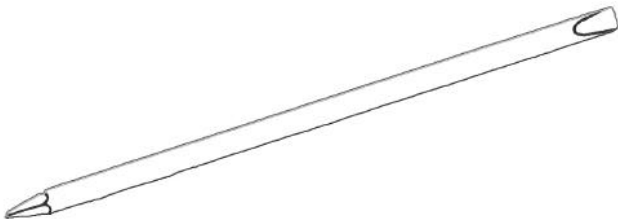


WRECKING BAR



The wrecking bar is used to pull large nails or spikes, to open heavy crates, and to do wrecking work.

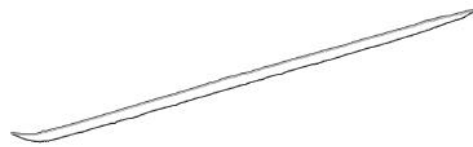
CROWBAR



The crowbar is used for heavy prying and for moving heavy timbers and other large objects short distances. It can also be used for loosening rock formations, as a lever for moving rails, and for breaking up hard earth when digging. In moving heavy objects or prying, it

should be used in a position where the weight of the user's body is exerted downward on the long section of the lever. When possible use a block or other object as a fulcrum behind the bar, near the spot where the bar's point is wedged under the object to be moved.

PINCH BAR



The pinch bar is used for light ripping and prying jobs.

COMBINATION BAR



The combination pry bar is an all-purpose combination pry and scrape bar for rugged heavy-duty service. It is used to pry, pull, cut, scrape, lift, and pound nails. The slim tapered blades are easily inserted for prying and lifting. It also has beveled nail slots.

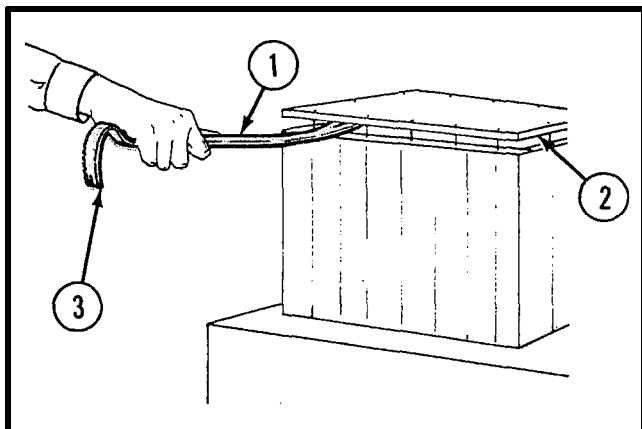
SAFETY

1. Wrecking bars are exceptionally heavy, and care must be taken to keep them from falling and striking someone.
2. When using bars for prying, make sure the bar does not slip and cause personal injury.
3. Do not use bars for extra heavy work, since they will bend and may cause injury.

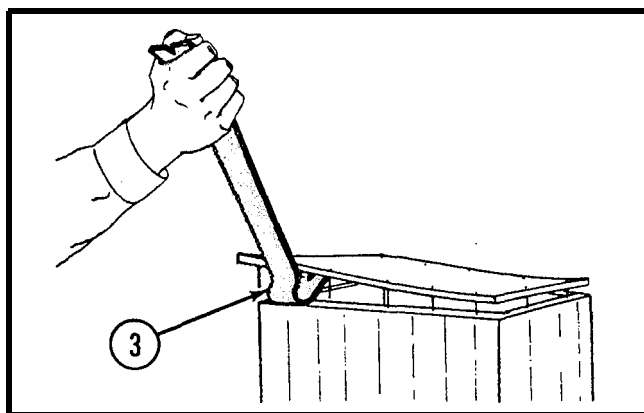
USING THE COMBINATION BAR

WARNING

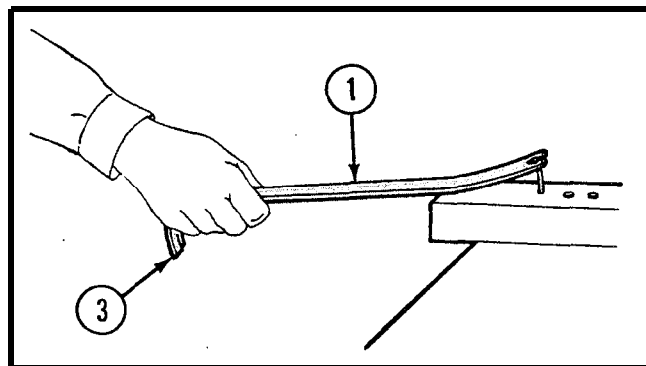
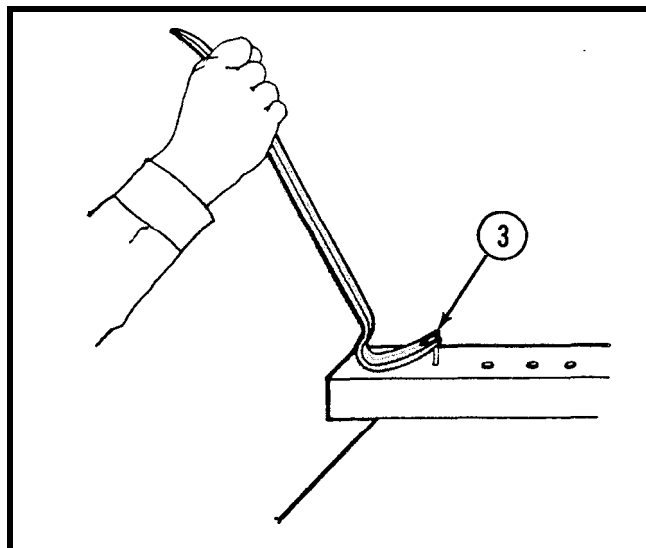
USE CARE IN USING THE COMBINATION BAR TO AVOID SLIPPAGE AND PERSONAL INJURY.



- 1 Insert the long tapered blade (1) between boards (2) to be removed or ripped. Then exert leverage on the short hooked blade (3) of the bar to pry the boards loose.



- 2 Insert the short hooked blade (3) between the boards if greater leverage is required.



- 3 To remove nails, use the short hooked blade (3) nail slot to remove a nail that is almost completely driven home. Pull the nail approximately half-way out. Then switch to the long tapered blade (1) nail slot to completely remove the nail.

CARE OF BARS

CAUTION

When grinding, take care to cool the end being ground by dipping it in water frequently, so tempering is not lost.

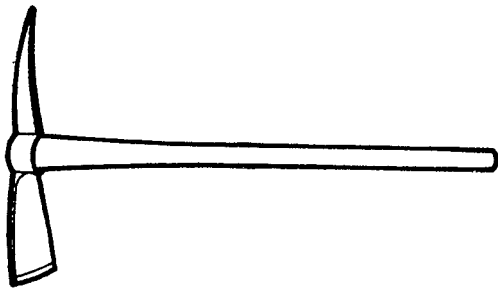
1. Bars require little maintenance. They should be thoroughly cleaned after use when they accumulate dirt and grease.
2. They should be covered with light oil before storing in a dry place.
3. The ends of the bars should be kept in shape by filing or grinding to their original shape, because a dull chisel end or claw end makes using the bar more difficult.

Chapter 43 MATTOCKS

HOW TO CHOOSE AND USE THEM

The "Types and Uses" section provides you with a list of some of the types of mattocks. These pages should help you select the right mattock to do the job.

The "Using" section tells you how to use the mattock to perform the desired function. The "Care" procedures tell you how to care for the item.



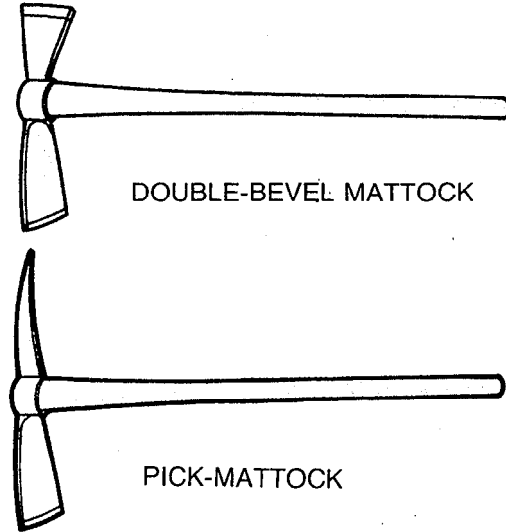
INDEX

<i>Item</i>	<i>Page</i>
TYPES AND USES	43-2
Single-bevel	43-2
Double-bevel	43-2
SAFETY	43-2
USING	43-2
CARE	43-3

TYPES AND USES

SINGLE-BEVEL AND DOUBLE-BEVEL

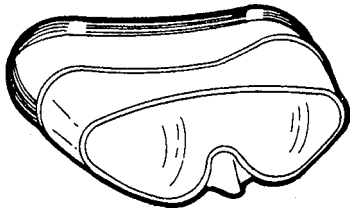
The mattock is designed for digging and cutting operations. The mattock can have a single or double-beveled head. However, the single-beveled mattock can be combined with other digging tools to perform a variety of functions. For example, the "pick-mattock" is a combination of the single-beveled mattock and pick.



SAFETY

1. When using a mattock, it is important to have a firm footing and correct posture to prevent the mattock from glancing and striking the feet or legs if the mark is missed.
2. Do not swing a mattock until you are sure that no one will be endangered by the swing, a possible loose head, or glancing of the tool.

USING THE MATTOCK



WARNING
WEAR EYE PROTECTION.

Distribute body weight equally on both feet. The knees should be set but not tense. The feet should be spread apart at a comfortable distance. The body should be relaxed and free to swing and bend from the hips.



USING THE MATTOCK - Continued

- 2 When practicing using the mattock, swing with either the right or the left hand leading. When your position becomes tiring, reverse your hands on the handle of the mattock.
- 3 With the right hand leading, the left foot should be brought slightly toward the work. To start the swing, hold the handle at the end with the left hand and near the center with the right hand. Raise the mattock over the right shoulder. Swing the mattock down toward the work, allowing the right hand to slide back along the handle toward the left hand so that at the finish of the swing, the hands are close together.
- 4 With the left hand in the center of the handle, the mattock is swung in the same manner, except that the positions are reversed.
- 5 Light swings are accomplished with wrist motion only, allowing the head of the mattock to do the work.
- 6 Use the wrists, forearms, and shoulders for heavy swings.



CAUTION

Slight prying may be done with the mattock. However, this must be done cautiously to prevent breaking the wood handle.

CARE OF MATTOCKS

1. Clean the mattock thoroughly after use and before short or long-term storage.
2. Store the mattock so that the head will not be struck against metal or other hard surfaces. The mattock should be placed on its head against a wall or hung on a rack for storage. Coat the head with oil.
3. For long-term storage, coat the head with a rust-preventive compound and store in a dry place in a rack or box with the cutting edges protected.

WARNING

CLOTHS USED TO APPLY OR REMOVE LINSEED OIL ARE FIRE HAZARDS BECAUSE THEY MAY IGNITE BY SPONTANEOUS COMBUSTION, THESE CLOTHS SHOULD BE EITHER DESTROYED AFTER USE OR HUNG UP TO DRY IN A WELL-VENTILATED PLACE AND STORED IN METAL CONTAINERS.

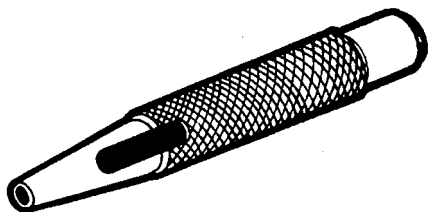
4. The raw wood handles of mattocks should be rubbed thoroughly (preferably prior to use) with a cloth soaked in boiled linseed oil. This will prevent drying, checking, and moisture penetration.

Chapter 44 GASKET CUTTERS

HOW TO CHOOSE AND USE THEM

The "Types and Uses" section provides you with a list of some of the types of gasket cutters. These pages should help you select the right cutter to do the job.

The "Using" section tells you how to use the gasket cutter to perform the desired function. The "Care" procedures tell you how to care for the item.

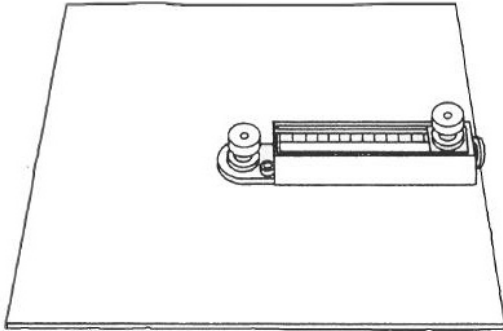


INDEX

<i>Item</i>	<i>Page</i>
TYPES AND USES	44-2
Circle gasket cutter	44-2
Bit brace circle gasket cutter	44-2
Hollow gasket cutter	44-2
Heavy duty bench mount gasket cutter .	44-2
USING	44-3
CARE	44-3

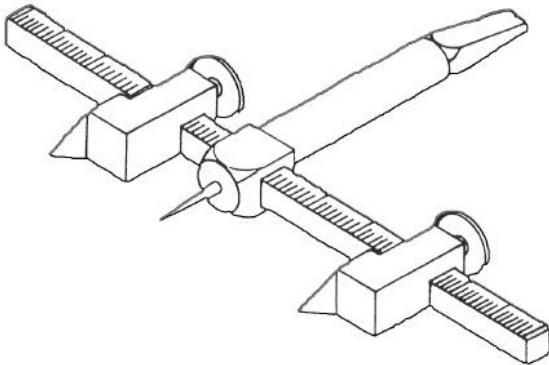
TYPES AND USES

CIRCLE GASKET CUTTER



The compass-style circle gasket cutter cuts gaskets from 4-inch diameters through 20-inch diameters. It cuts leather, paper, plastic, rubber, sheet lead, or thin wood. It has an aluminum frame with a graduated scale, steel pivot pin, and tempered tool steel knives. It requires a knurled thumb screw adjustment to change diameters.

BIT BRACE CIRCLE GASKET CUTTER



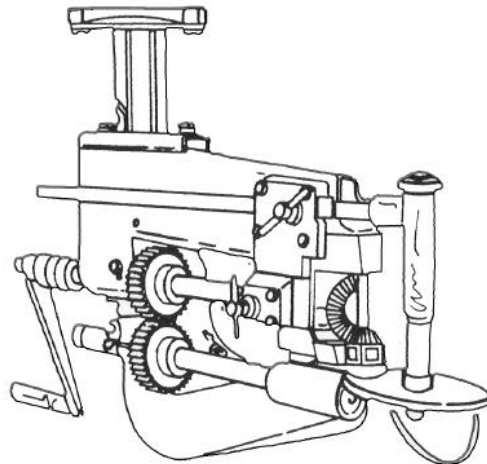
The bit brace circle gasket cutter adjusts from 1 to 5-1/2 inches in diameter. It cuts metal, plastic, wood, hardwood and other materials. It has a tapered square shank to fit a bit brace. It comes with a 3/16-inch tool steel bit, 1/4-inch pilot drill, and a hex wrench for easy adjustment.

HOLLOW GASKET CUTTER



The hollow gasket cutter is also known as a hollow punch. It is extremely serviceable for cutting soft materials. It comes in a set with a mandrel. The sizes are 1/4, 5/16, 3/8, 7/16, 1/2, 9/16, and 5/8 inch. The set will withstand unlimited use if a hardwood block is used under the gasket material when cutting gaskets. They are not designed for cutting metal or cutting against a hard surface. Other individual hollow gasket cutters are also available.

HEAVY DUTY BENCH MOUNT GASKET CUTTER

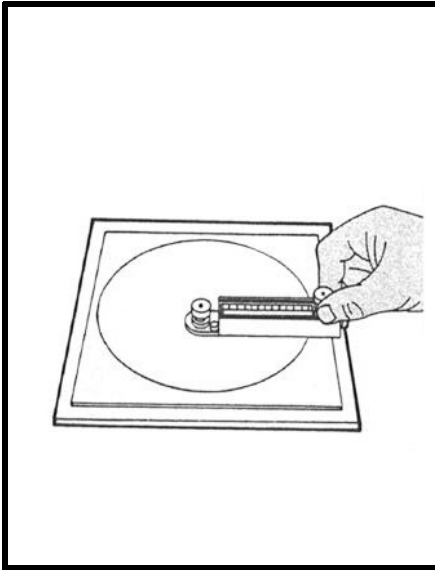


The bench mount gasket cutter is used for heavy duty jobs requiring gaskets cut from the heaviest of materials.

USING THE GASKET CUTTER

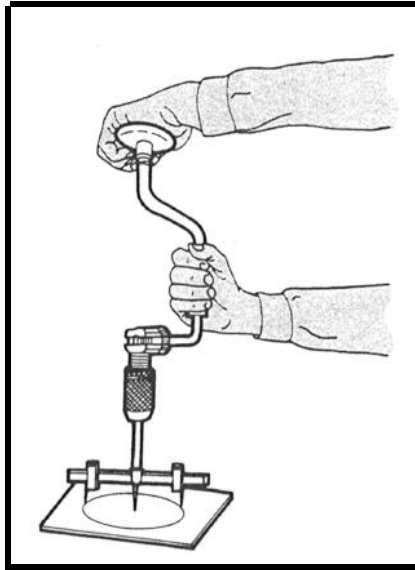
Below are examples of how several of the gasket cutters in this chapter can be used.

USING A CIRCLE GASKET CUTTER



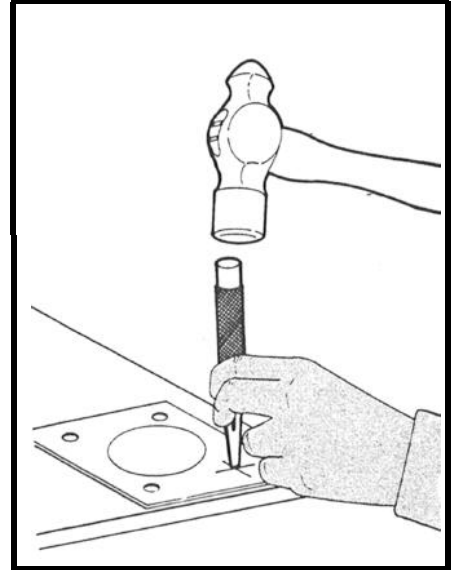
Cutting circular gasket compass-style.

USING A BIT BRACE CIRCLE GASKET CUTTER



Cutting smaller circular gasket with a bit brace.

USING A HOLLOW GASKET CUTTER



Cutting small holes in gasket with a hollow punch.

CARE OF GASKET CUTTERS

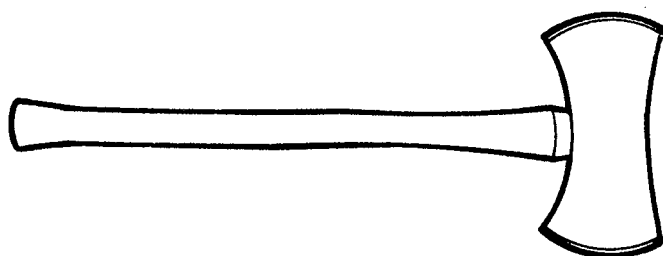
1. After using a gasket cutter, wipe it clean and apply a thin film of oil to prevent rusting.
2. Carefully place the gasket cutter on a shelf, rack or other suitable place to avoid damaging its cutting edges.
3. For long-term storage, coat the gasket cutter with rust-preventive compound. Protect the cutting edges and store carefully in a dry place.

Chapter 45 CHOPPING TOOLS

HOW TO CHOOSE AND USE THEM

The "Types and Uses" section provides you with a list of some of the types of chopping tools. These pages should help you select the right chopping tool to do the job.

The "Using" section tells you how to use chopping tools to perform the desired function. The "Care" procedures tell you how to care for the item.



INDEX

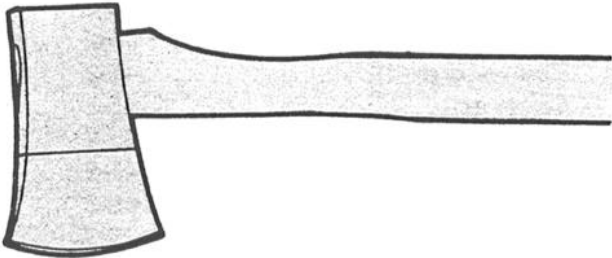
<i>Item</i>	<i>Page</i>
TYPES AND USES	45-2
Single-bit ax	45-2
Double-bit ax	45-2
Crash ax	45-2
HATCHETS	45-2
Half-hatchet	45-2
ADZ	45-3
TIMBER WEDGE	45-3
SAFETY	45-3
USING	45-4
CARE	45-7

TYPES AND USES

AXES

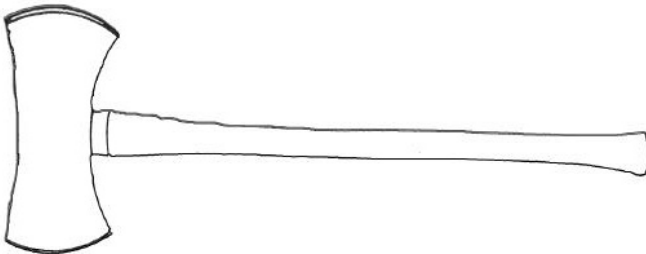
Axes are cutting tools used for the cutting down of trees and for the chopping and splitting of wood. They may be either single or double-edged. Single-bit, double-bit, and crash axes are the most common types. Sizes of axes vary depending upon their design and purpose.

SINGLE-BIT AX



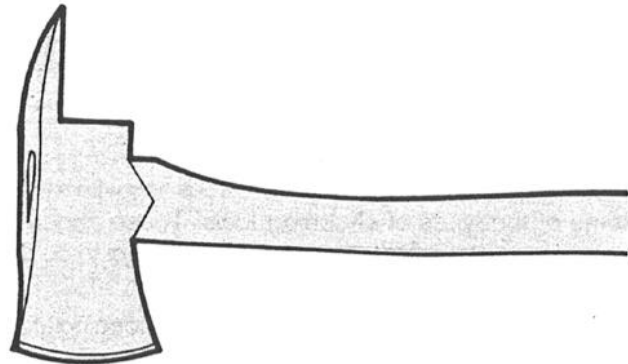
The single-bit ax is used to cut down or prune trees. It can also be used to cut or trim logs and heavy brush, or to split and cut wood. This type ax has a steel head attached by wedges to a long, slightly curved handle. The head has a flat face at one end. At the other end is the cutting edge or "bit."

DOUBLE-BIT AX



The double-bit ax is used for the chopping down and the lopping and topping of trees. The double-bit ax has a wedge-type head with two cutting edges.

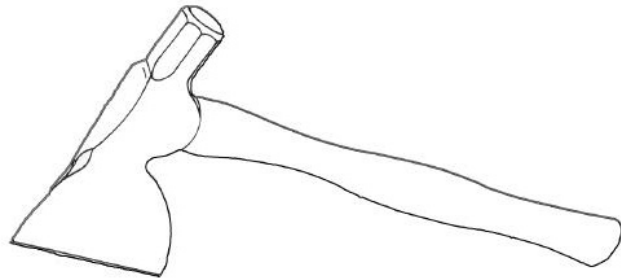
CRASH AX



The crash ax, or fireman's ax, is used by emergency personnel to gain quick access to a given area. This ax has a steel head with a cutting blade or bit at one end, and a spike-like extension at the other.

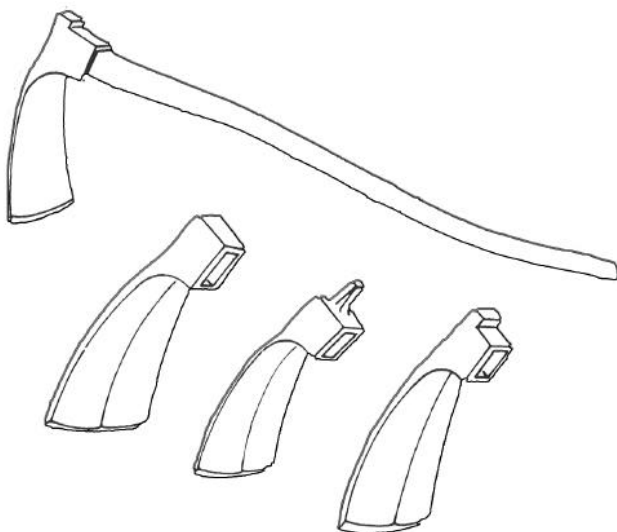
HATCHETS

HALF-HATCHET

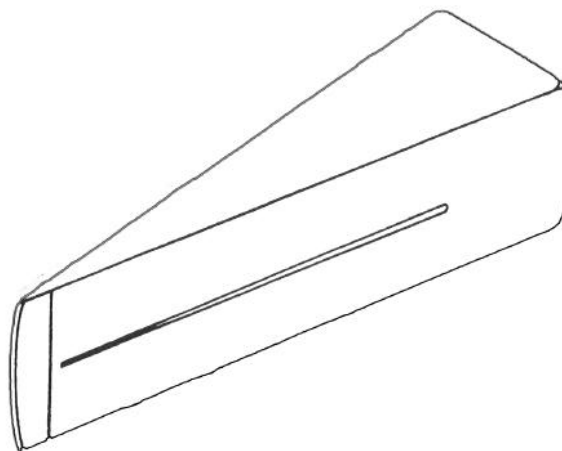


The half-hatchet, commonly called a hatchet, has a steel head fastened by wedges to a short wooden handle. The head always has a straight front edge and a round rear shoulder. The other end of the head may vary in shape depending on the design and use.

TYPES AND USES - Continued

ADZ

The adz is a chopping tool used for chopping and smoothing lumber or logs where a great deal of wood or bark is to be removed. The adz is a form of ax where the edge of the blade is at a right angle to the handle. It has a curved steel head attached to a curved handle.

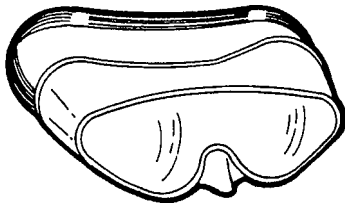
TIMBER WEDGES

The timber wedge is used with a sledge, primarily to split logs and timber. When sawing timber or thick lumber, it may also be used to spread the cut so the saw will not bind. The timber wedge is a steel tool resembling a slender single-bit ax head. One end is slightly fan-shaped and sharpened to a dull edge. The other end is flat where a sledge can strike when driving the wedge into a log.

SAFETY

1. Never use any tool that is defective.
2. Always wear eye protection when working where flying particles may injure the eyes.
3. Do not use dull or defective tools.
4. Before swinging a tool, be sure no one is close enough to be injured.
5. Do not use a tool not designed for the job. It can be dangerous.
6. Before using an ax, clean the work area of material that might deflect the ax blade.
7. Keep arms, legs, and feet out of path of ax.

USING THE SINGLE-BIT AX



WARNING

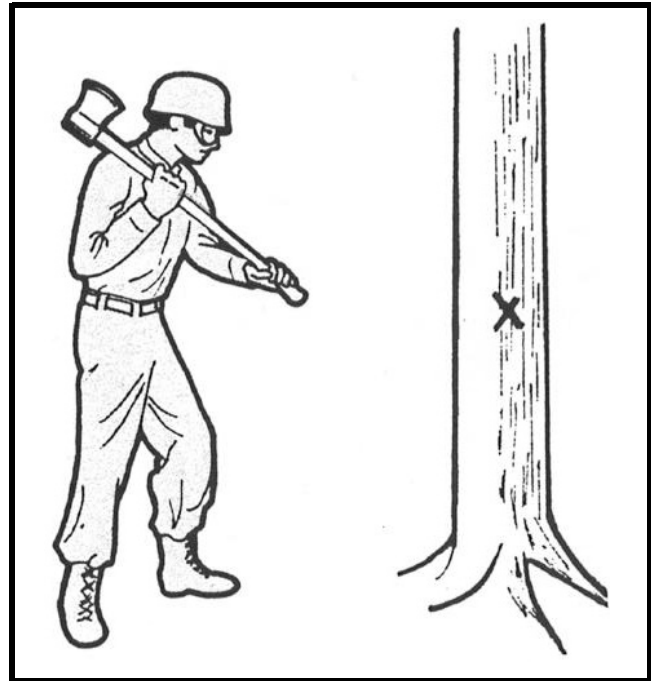
ALWAYS WEAR SUITABLE EYE PROTECTION.



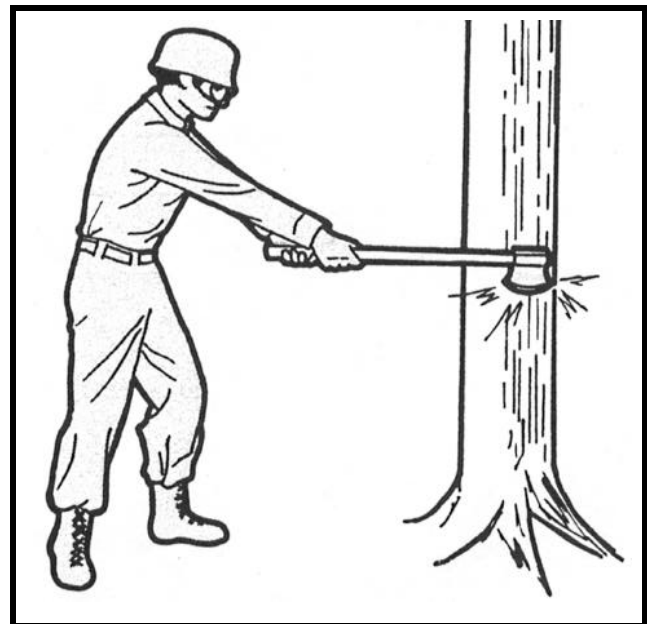
- 1 First clear the work area of material that might deflect the ax blade. The user's body weight should be evenly distributed, with knees set, but not tense. The feet should be spread at a comfortable distance to retain balance, while the body should be relaxed and free to swing and bend at the waist.
- 2 To use the ax, grasp the ax handle with both hands close together near the end of the handle, with the right or leading hand closer to the ax head. The left foot should be closer to the work.

NOTE

Reverse the position of the hands, feet and shoulder if left-handed.

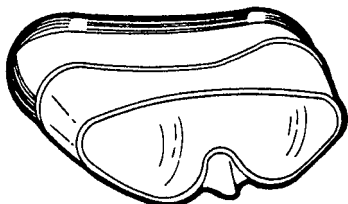


- 3 To start the swing, bring the ax back over the right shoulder, bending the elbow as the right hand slides up the handle toward the ax head.



- 4 On the downswing, let the right hand slide down the handle, toward the left hand.
- 5 At the end of the downswing, the right hand will be beside the left hand at the end of the handle.

USING THE ADZ



WARNING
ALWAYS WEAR SUITABLE EYE PROTECTION.

- 1 To use the adz, first clear the work area of branches and debris.



- 2 Block the timber to be worked on so it cannot slip, slide, or roll.
- 3 Straddle the timber and grip the adz handle with both hands. The right hand should be held approximately 12 to 15 inches above the left hand.



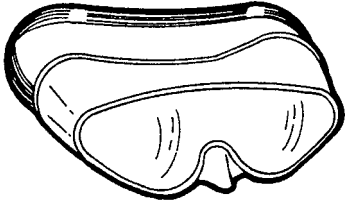
- 4 Use short, choppy down strokes while keeping the hands in approximately the same position on the handle. The right hand does not slide toward the left hand as in swinging the ax, because the right hand must be in a position to keep control of the adz head at all times. Sliding the right hand to the end of the handle would allow the adz blade face to be deflected toward the user.

NOTE

As wood chips accumulate on the work surface, clear them away to prevent their causing a deflection of the adz blade.

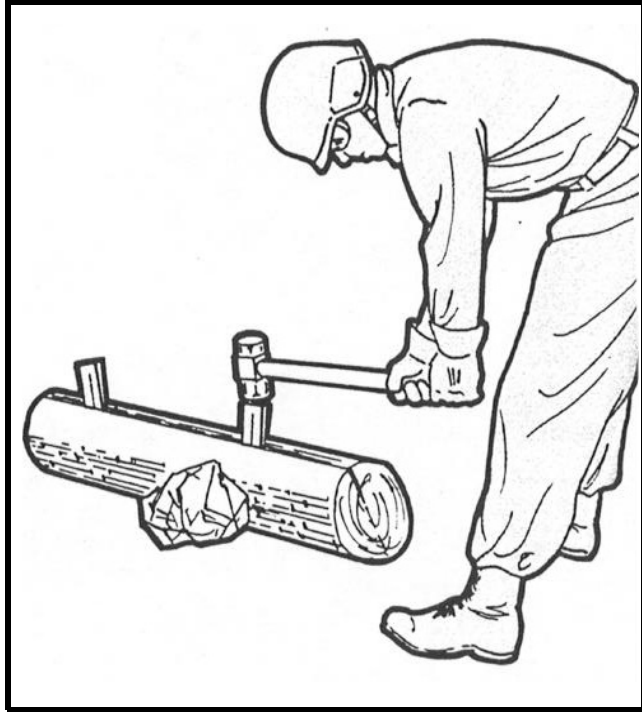
Reverse the position of the hands if left-handed.

USING THE TIMBER WEDGE

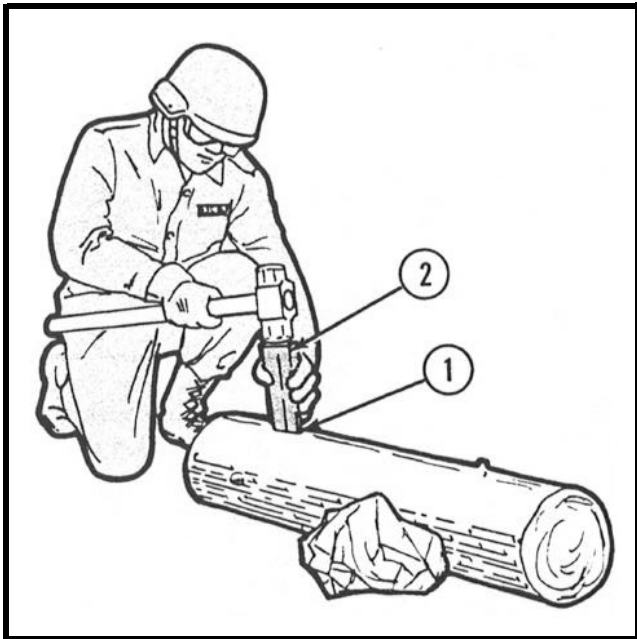


WARNING

BEFORE USING ALWAYS WEAR SUITABLE EYE PROTECTION.



- 4 Give the wedge a few blows, then start a second wedge on the line farther along the log and drive it with a few sledge blows.

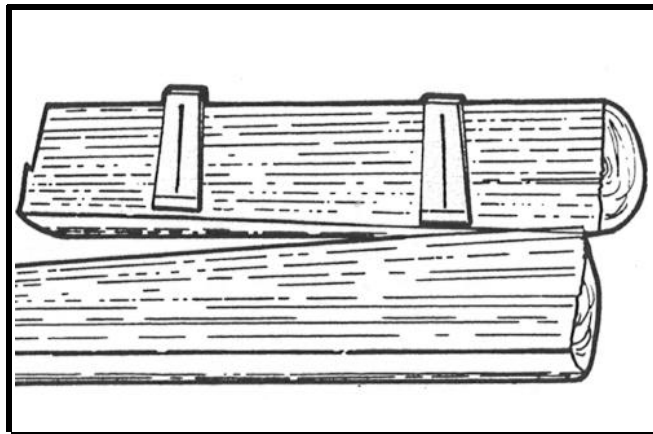


- 1 To use the timber wedge, first block the log to be split, or steady it so it cannot roll.
- 2 With the left hand, hold the wedge's narrow edge (1) on the log where a split is desired.

CAUTION

Do not use a timber wedge that has nicks or burrs, since the rough sections can scratch the hands or can cause chips to break off when struck by sledge.

- 3 Hold the sledge handle in the right hand, close to its head, and start driving the wedge (2) into the log with a pounding action.



- 5 Alternate driving the wedges into the log until log splits. For longer logs, more than two wedges should be used.

NOTE

Reverse the position of the hands if left-handed.

CARE OF CHOPPING TOOLS

1. Clean all chopping tools after use.
2. Store tools to protect heads and cutting edges.
3. For prolonged storage, keep tools free of rust by wiping with oil.
4. In very cold weather, never use a chopping tool before the blade is warm. A cold blade is brittle and will break easily.

WARNING

LINSEED OIL IS A FLAMMABLE LIQUID. TO AVOID PERSONAL INJURY, PROPERLY DISPOSE OF ALL CLEANING RAGS IN NON-COMBUSTIBLE CONTAINERS.

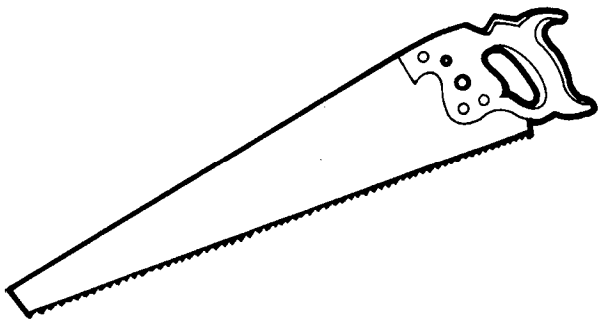
5. Promptly replace wooden handles on all chopping tools when needed. When changing handles, apply a light coating of linseed oil.

Chapter 46 SAWS

HOW TO CHOOSE AND USE THEM

The "Types and Uses" section provides you with a list of some of the types of saws. These pages should help you select the right saw to do the job.

The "Using" section tells you how to use the saw to perform the desired function. The "Care" procedures tell you how to care for the item.



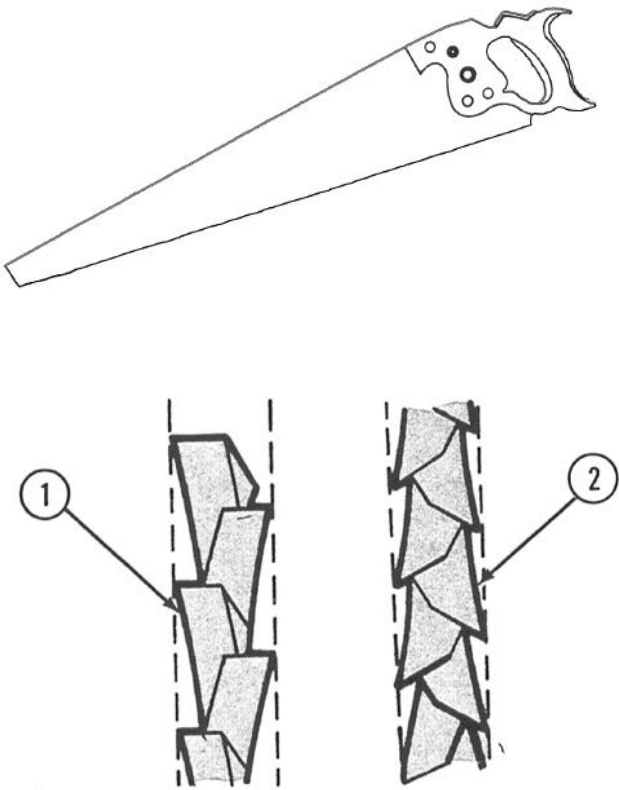
INDEX

<i>Item</i>	<i>Page</i>
TYPES AND USES	46-2
Handsaw	46-2
One-man crosscut saw	46-2
Two-man crosscut saw	46-3
Backsaw	46-3
Nested saw	46-3
Keyhole saw	46-3
Compass saw	46-4
Hacksaw	46-4
SAFETY	46-4
USING	46-5
CARE	46-7

TYPES AND USES

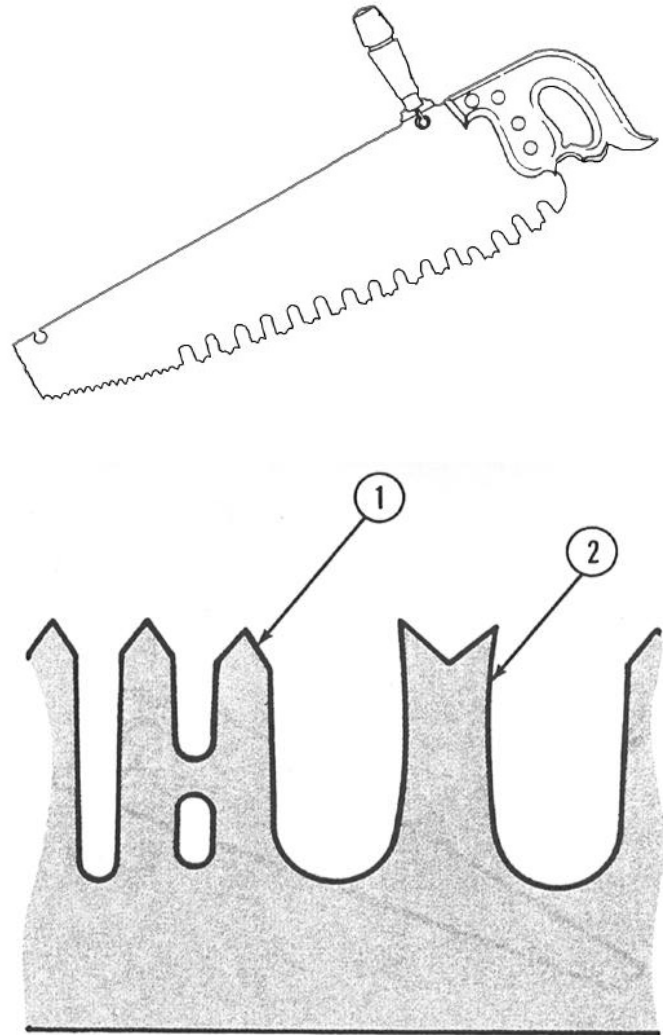
Saws are tools with thin, flat steel blades that have a row of spaced notches or "teeth" along the edge. The blade is fastened to a handle. Saws are available in various sizes and designs depending on their use and the material to be cut. The most common types of saws are handsaw, (crosscut and rip saw), backsaw, one-man crosscut saw, two-man crosscut saw, nested saw (keyhole and compass) and hacksaw.

HANDSAW



The handsaw consists of a thin flat blade with teeth and a wooden or plastic handle, called the heel, fastened to the end of the blade by screws. There are two categories of handsaws: the rip saw (1) and the crosscut (2). The rip saw is designed to cut with the grain of wood, and the crosscut saw is designed to cut against the grain. The handsaw is used in carpentry, rough-out work, and for "finish" hand sawing. Sizes of handsaws vary depending on design and nature of the task.

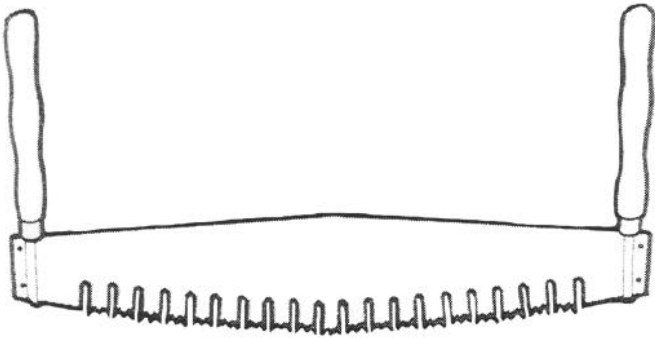
ONE-MAN CROSSCUT SAW



The one-man crosscut saw is about 36 inches long and has a handle at one end. This type of saw is characterized by a high-grade steel blade with two types of teeth known as "cutters (1) and "rakers" (2). The cutters do the cutting, and the rakers chisel out and remove chips from the cut. It is used for heavy work such as cutting down trees and sawing heavy timbers.

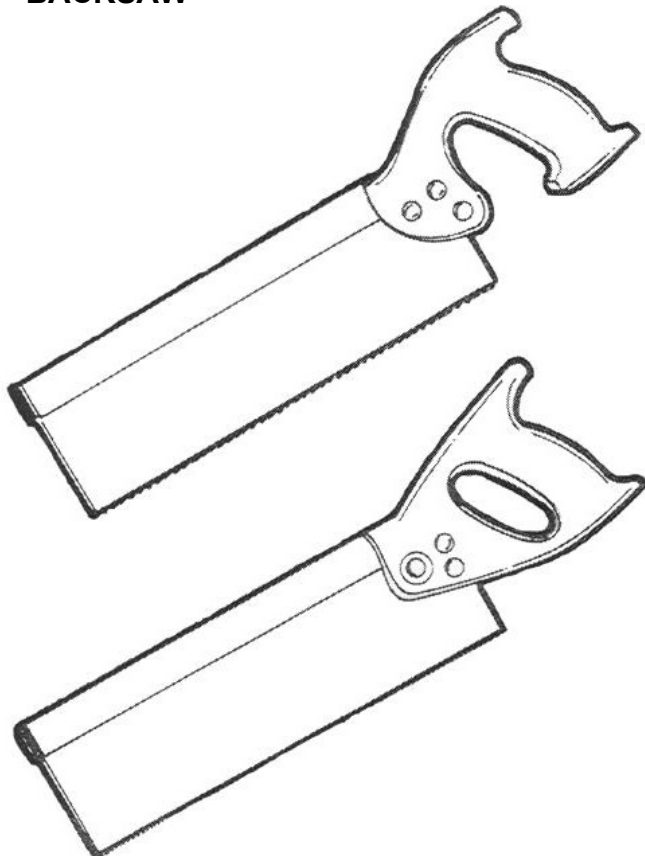
TYPES AND USES - Continued

TWO-MAN CROSSCUT SAW



The two-man crosscut saw is 5 to 6-1/2 feet long with a handle at each end. As with the one-man crosscut saw, it also has a high-grade steel blade with the "cutter" and "raker" teeth arrangement. It is used when two men are required for extra heavy cutting jobs.

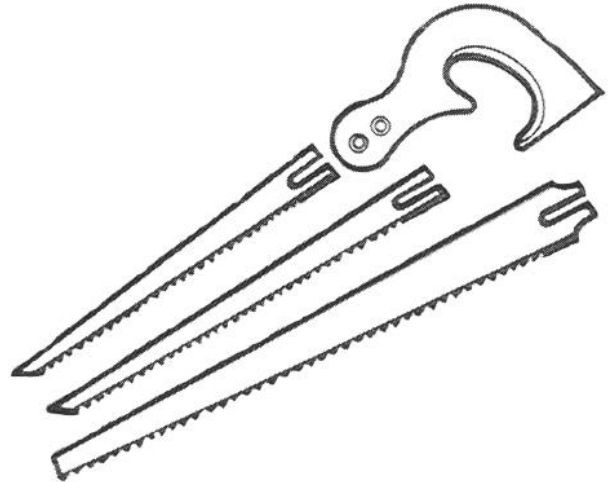
BACKSAW



The backsaw has a straight blade and parallel top and bottom, with a heavy strip of steel or brass wrapped along the back to provide rigidity. The handle is of similar

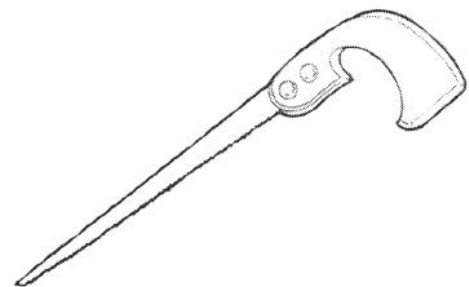
shape to other hand saws except it is usually mounted higher. Backsaws are used for general bench work such as cutting joints and smaller sections of lumber to length. Sizes vary depending on design and nature of work.

NESTED SAWS



Nested saws consist of a wooden handle to which several different blades can be attached, making up different types of saws such as the keyhole or compass saw. A slotted end at the heel of each blade slips into the pistol-grip type handle where a wingnut fastens it in place. Nested saws are used to cut along curved lines, to start cuts for larger saws, or to make starting saw cuts from drilled holes or small openings. The size of these saws will vary depending on design and nature of use.

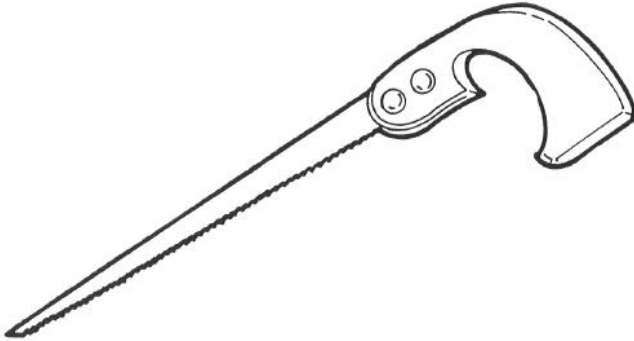
KEYHOLE SAW



The keyhole saw is the smallest type of nested saw. Its blade has a very narrow point small enough to enter a 1/4-inch hole. It is used for close-quarter work, such as cutting, shaping, or enlarging holes in a board.

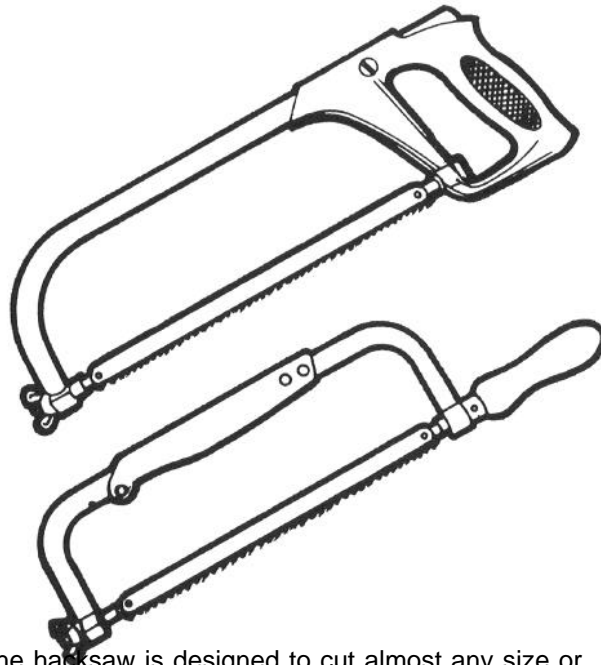
TYPES AND USES - Continued

COMPASS SAW



The compass saw is slightly larger than the keyhole saw. The teeth are so arranged that the blade can easily be turned for cutting curves or holes. As with the keyhole saw, the compass saw will vary in size depending on the design and purpose.

HACKSAW

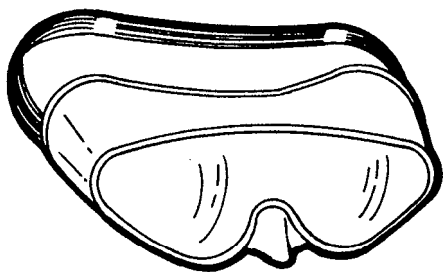


The hacksaw is designed to cut almost any size or shape of metal object. The hacksaw uses two types of blades, hard and flexible. The type of blade used depends on the nature of the task. The blade is held to the saw frame by pins that fit into small holes at each end of the blade. Blade tension is adjusted by a screw and wingnut assembly at either the nose or the handle end of the frame. The hacksaw comes in various designs, depending on the purpose.

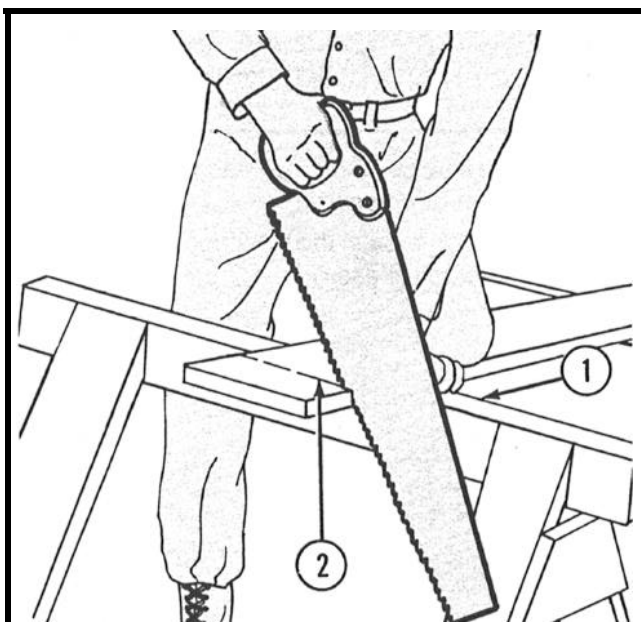
SAFETY

1. Before using, inspect the tool. Do not use any damaged or broken saw.
2. Store all tools in their proper places when not being used.
3. Wear proper eye protection when using any saw.
4. Do not throw or drop any tools. If a saw is dropped, inspect immediately before reusing.
5. Using clamps or vises, steady or secure any loose material to be cut.
6. Do not allow pointed or edged tools to lie around where they may injure someone.
7. Be careful not to allow the fingers or other parts of body to get in the line of cut.
8. Do not use a tool for any purpose other than that for which it was designed.

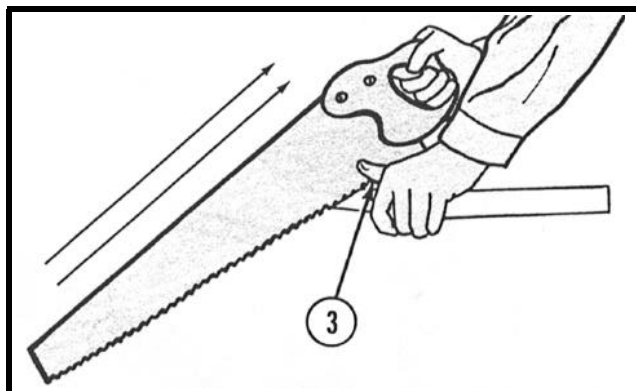
USING THE CROSSCUT SAW



WARNING
WEAR EYE PROTECTION.

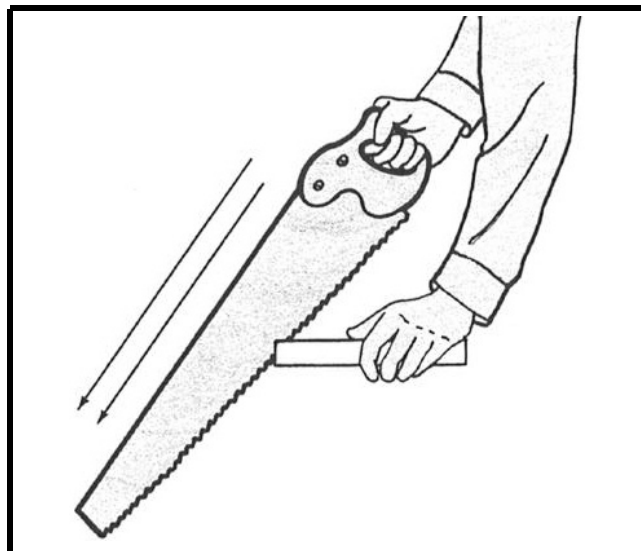


- 1** In using the crosscut saw, place the work on a level just below the knees. Place one sawhorse, bench or other support (1) fairly close to line of cut (2).

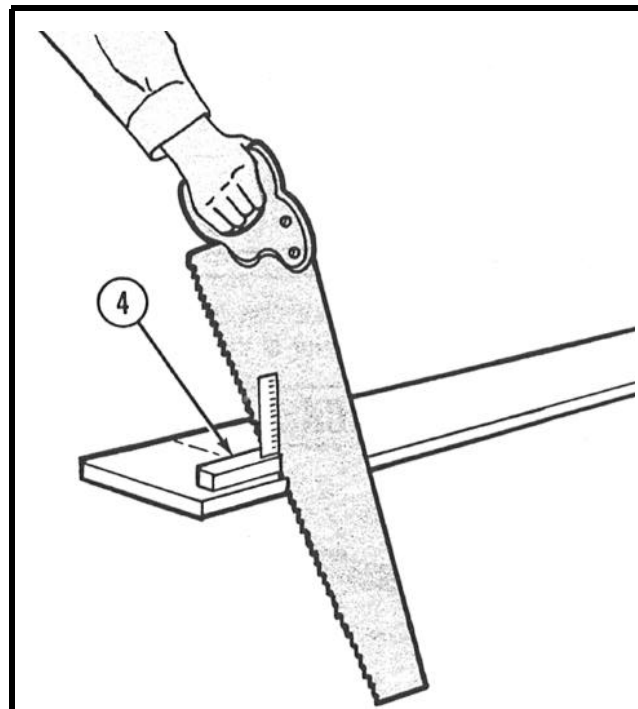


- 2** To start the cut, place thumb (3) against the side of the saw blade, being careful to hold it well above *teeth*.

- 3** Start the cut by drawing back a few inches of teeth at the heel of the saw a few times.

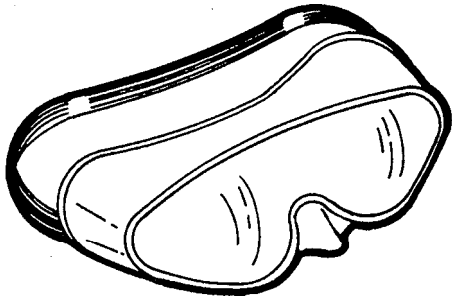


- 4** At approximately a 45 degree angle, saw only on the downward stroke applying pressure evenly.



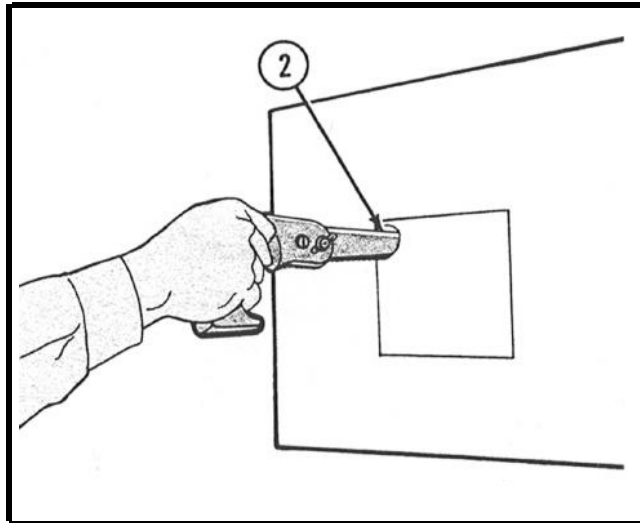
- 5** Keep the saw blade at a right angle to the work surface by checking the saw position occasionally with a try square (4).
- 6** When nearing end of cut, hold the waste side of the wood to prevent board breaking off unevenly.

USING THE KEYHOLE SAW

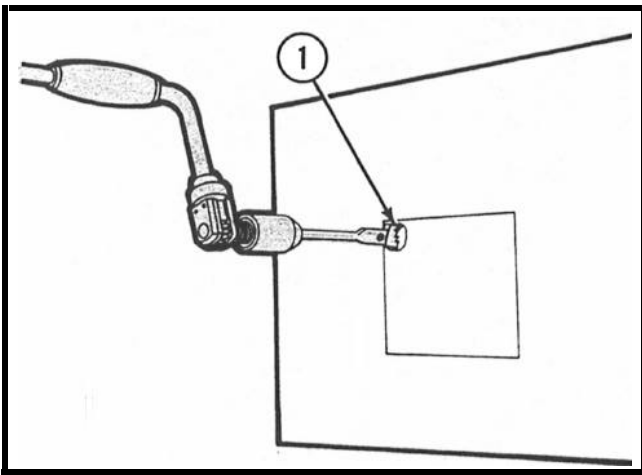


WARNING

WEAR PROPER EYE PROTECTION TO AVOID FLYING WOOD CHIPS OR DEBRIS.

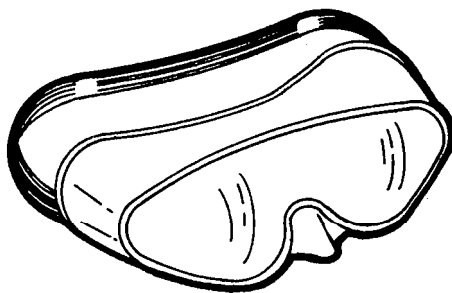


- 2 Insert the saw blade (2) and start to cut slowly, with a minimum of pressure.
- 3 Be careful not to twist the blade too sharply, as the narrow blade will easily bend.



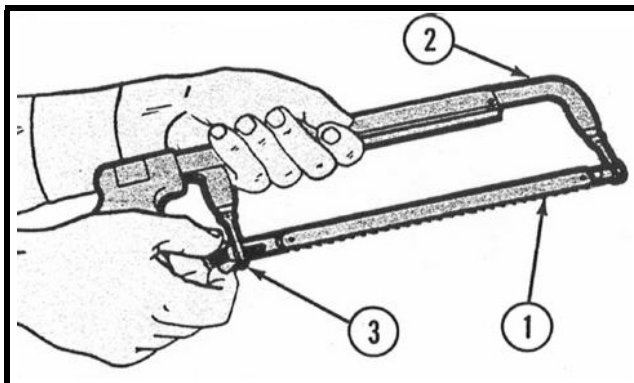
- 1 To make an inside-out cut, first drill a hole (1) large enough to admit the point of the saw.

USING THE HACKSAW



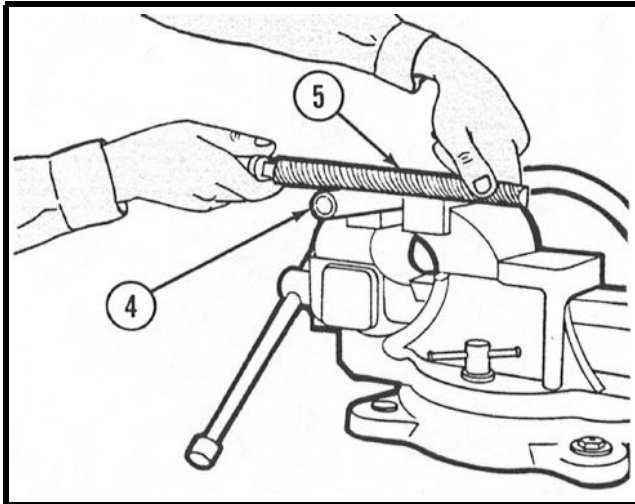
WARNING

WEAR PROTECTIVE EYEWEAR TO AVOID FLYING METAL CHIPS.

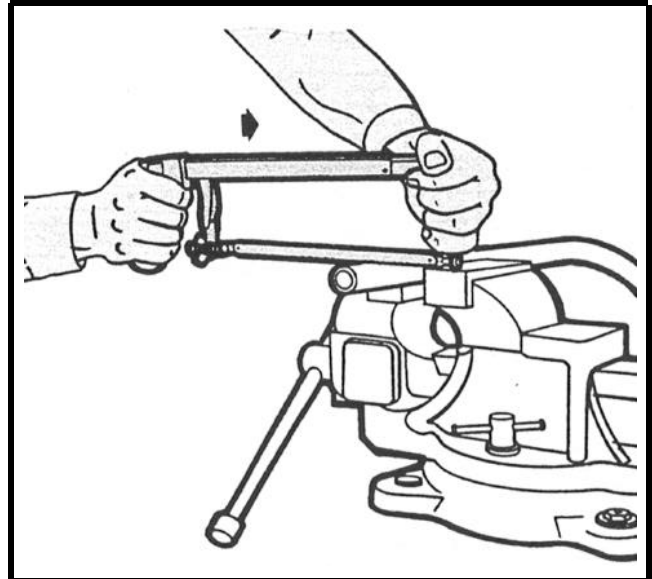


- 1 Insert the correct blade (1) in the hacksaw frame (2) and adjust wing nut (3) for proper tension.

USING THE HACKSAW - Continued



- 2 Secure the material (4) to be cut in a vise or other holding device to avoid vibration which may snap the blade.
- 3 To make an accurate cut, use a file (5) to make a notch for guiding the first strokes of the saw.



- 4 Steady the saw by holding the handle with the right hand and the frame with the left.
- 5 Hold the blade parallel to the work surface and cut on the push stroke, being careful not to bear down too hard. Draw the blade back using no pressure each time.
- 6 Saw at a rate not to exceed 40 to 50 strokes per minute.

CARE OF SAWS

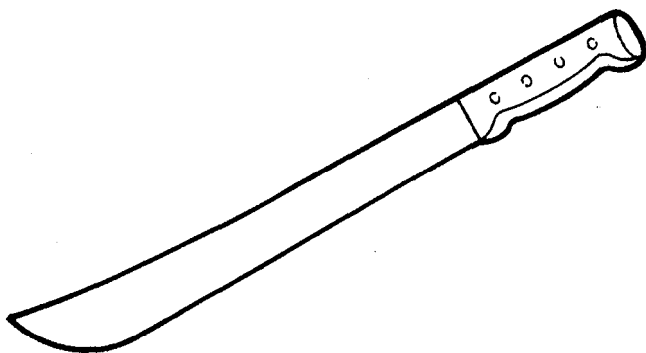
1. Store blades in a dry place and apply a light coat of oil when not in use. This will keep the blades from rusting.
2. Never use a woodcutting saw to cut through nails or other metal.
3. Between cuts, place saw flat on a work bench or in a spot where teeth cannot be damaged.
4. Avoid placing heavy tools or objects on saw blades as this can result in distortion of the blade.
5. Do not force the saw if it binds. Use a wedge to spread the cut.
6. Replace damaged saw handles with new ones immediately when needed.
7. To keep saw teeth in top condition, touch up the teeth with a file occasionally.
8. Always loosen the blade tension on a hacksaw when not in use.
9. Always protect saw blade teeth from coming in contact with metal or other material that may damage them.
10. Always remove the nested saw blade from the handle for storage.

Chapter 47 BRUSH-CUTTING TOOLS

HOW TO CHOOSE AND USE THEM

The "Types and Uses" section provides you with a list of some of the types of brush-cutting tools. These pages should help you select the right brush-cutting tool to do the job.

The "Using" section tells you how to use the brush-cutting tools to perform the desired function. The "Care" procedures tell you how to care for the item.



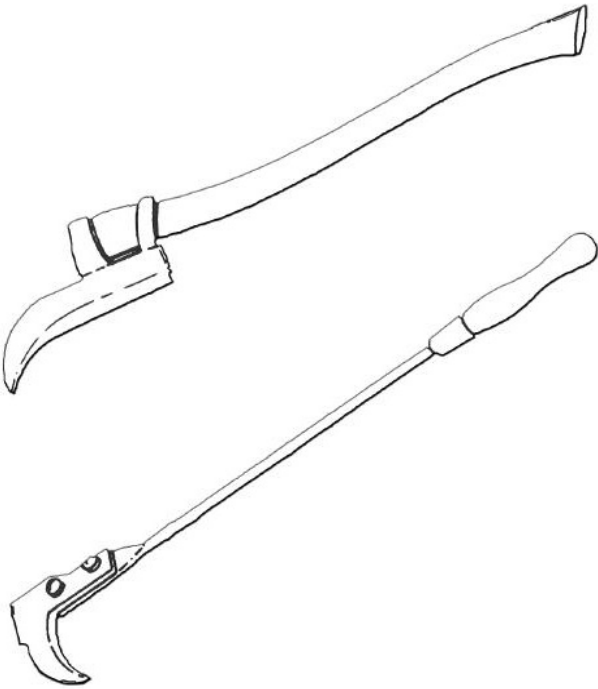
INDEX

<i>item</i>	<i>Page</i>
TYPES AND USES	47-2
Brush hook	47-2
Machete	47-2
SAFETY	47-2
USING	47-3
CARE	47-3

TYPES AND USES

When it is not practical to use an ax or other conventional cutting tool, a brush-cutting tool can be used. Brush-cutting tools are used for cutting underbrush, shrubs, tree branches, vines, and tall grass. Two of the most common brush-cutting tools are the brush hook and the machete. Brush-cutting tools are available in various sizes and designs depending on the nature of use.

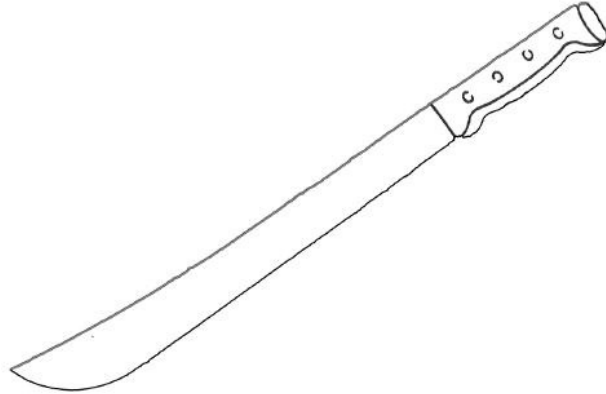
BRUSH HOOK



The brush hook is a hook-shaped steel blade set onto a heavy-duty metal or wooden handle. The inside edge of the hooked blade is sharpened like the cutting edge of

an ax blade. The brush hook is used for cutting underbrush, shrubs, or branches. Tool size and design vary according to the task.

MACHETE

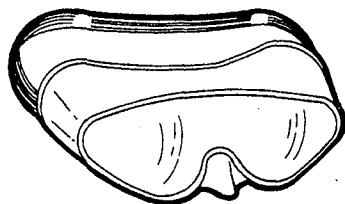


The machete normally in military use is an 18-inch knife, widest and heaviest at the point of the blade. The blade is attached to a handle shaped to fit the hand. The handle is designed with a slight projection to prevent the machete from slipping from the hand while being used. The machete is used to cut tall grass, vines, and small brush.

SAFETY

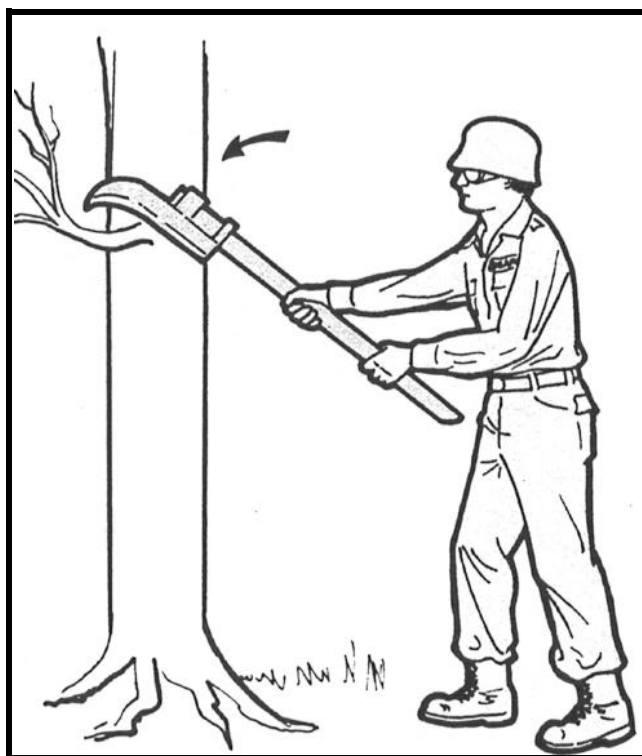
1. Always make sure no one is close enough to be injured before swinging the tool.
2. Take care not to allow branches or brush in line of swing to deflect the stroke and cause injury.
3. Do not use a dull or defective tool.
4. Store tools properly when not-in use.

USING THE BRUSH HOOK



WARNING

WEAR PROPER EYE PROTECTION WHEN WORKING WHERE FLYING PARTICLES MAY CAUSE EYE INJURY.



- 1 To use the brush hook on a tree branch, lift the curve of the hook above the branch and make short, chopping strokes downward against the surface of the branch.



- 2 To cut small brush or bushes, swing the brush hook horizontally. The hooked portion will keep the brush from bouncing away from the cutting edge.

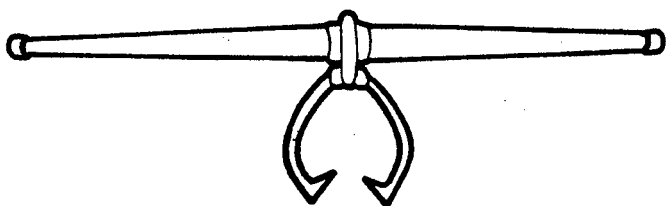
CARE OF BRUSH-CUTTING TOOLS

1. Repair all nicks and dulled cutting edges immediately.
2. For prolonged storage, coat metal parts with light oil.
3. Replace defective handle immediately.

Chapter 48 TIMBER HANDLING TOOLS

HOW TO CHOOSE AND USE THEM

The "Types and Uses" section provides you with a list of some of the types of timber handling tools. These pages should help you select the right timber handling tool to do the job.



The "Using" section tells you how to use timber handling tools to perform the desired function. The "Care" procedures tell you how to care for the item.

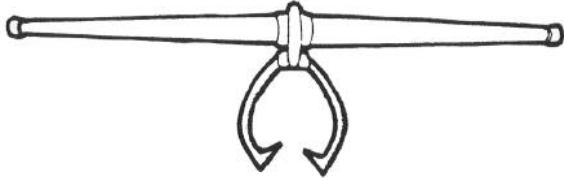
INDEX

<i>Item</i>	<i>Page</i>
TYPES AND USES	48-2
Timber carrier	48-2
Peavy	48-2
SAFETY	48-2
USING	48-2
CARE	48-3

TYPES AND USES

Timber handling tools are used for lifting or moving heavy objects such as logs or timbers. The timber carrier and the peavy are the most common examples of timber handling tools.

TIMBER CARRIER



The timber carrier consists of a pair of large chisel-bill hooks with sharp, pointed ends. These hooks are hung by pivots in the center of a large wooden handle, four

feet in length. The timber carrier is used to lift logs and timbers from one level to another as well as carry them.

PEAVY



The peavy has a sturdy pole-type wooden handle, about 5 feet in length, that fits into a cylindrical tapered steel socket. The socket has a sharp, spiked point. Hinged to the side of the socket is a curved hook that ends in a sharp point. The peavy is used for rolling, turning, and carrying logs and timbers.

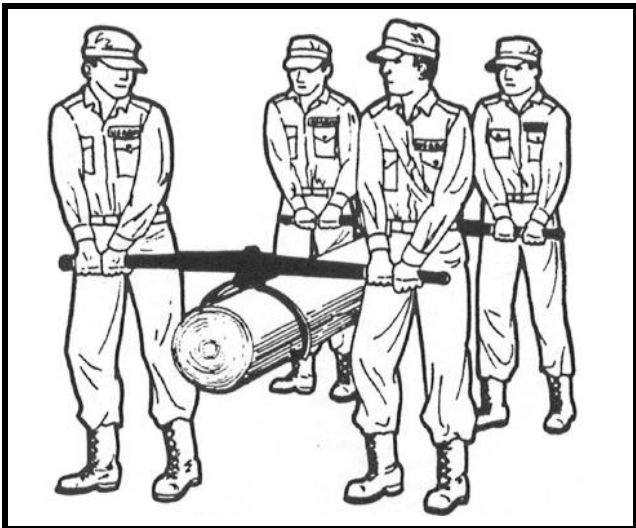
SAFETY

1. Be sure that all hooks are securely embedded in the log to be carried.
2. Be sure that all personnel at the end of the timber carrier or peavy handles lift and lower the log in unison.
3. Do not toss tools from one location to another, as damage or injury may result.

USING TIMBER HANDLING TOOLS

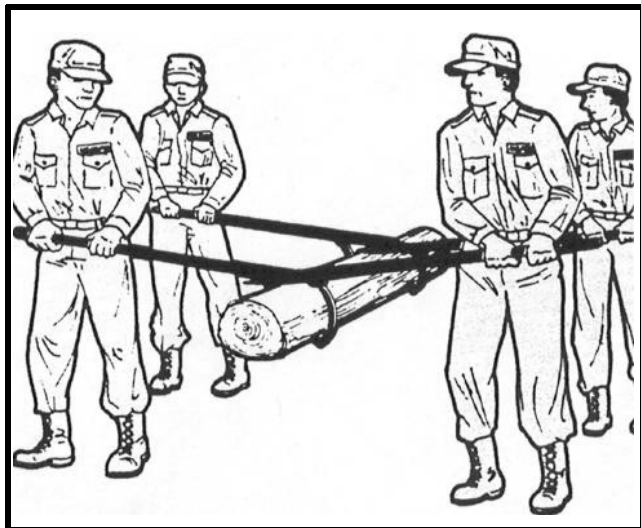
Below are examples of how the timber handling tools in this chapter can be used.

USING A TIMBER CARRIER



Lifting and moving heavy log with timber carriers.

USING A PEAVY



Lifting and moving heavy log with peavies.

CARE OF TIMBER HANDLING TOOLS

1. Keep the points on both tools sharp by filing when points are even slightly dulled.
2. Oil the rustable metal portions of these tools on occasion to maintain their good condition.
3. Inspect the pivots on the timber carrier to insure they are tight.

WARNING

LINSEED OIL IS A FLAMMABLE LIQUID TO AVOID PERSONAL INJURY, PROPERLY DISPOSE OF ALL CLEANING RAGS IN NON-COMBUSTIBLE CONTAINERS

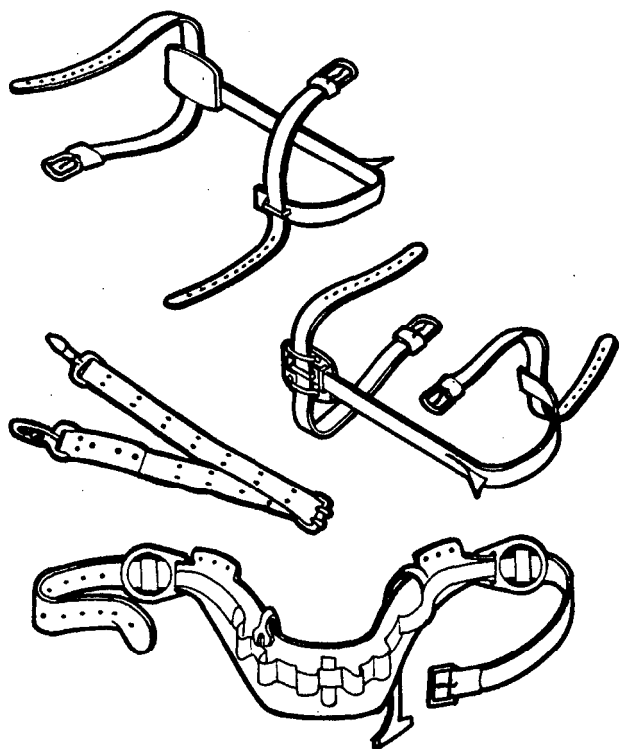
4. Coat the handles occasionally with linseed oil to prevent drying out.
5. Replace defective or damaged handles immediately.

Chapter 49 CLIMBING TOOLS

HOW TO CHOOSE AND USE THEM

The "Types and Uses" section provides you with a list of some of the types of climbing tools. These pages should help you select the right climbing tool to do the job.

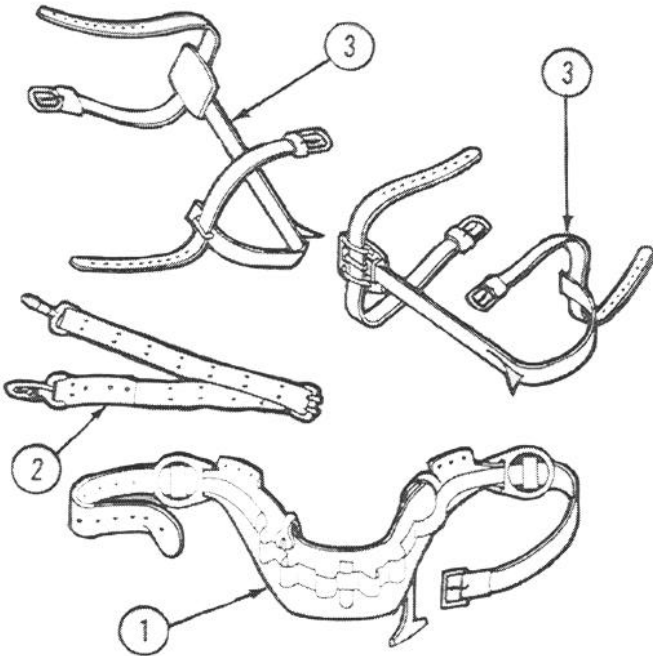
The "Using" section tells you how to use climbing tools to perform the desired function. The "Care" procedures tell you how to care for the item.



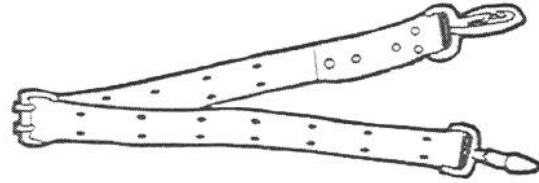
INDEX

<i>Item</i>	<i>Page</i>
TYPES AND USES	49-2
Safety belt	49-2
Safety strap	49-2
Leg irons	49-2
SAFETY	49-3
USING	49-3
CARE	49-5

TYPES AND USES

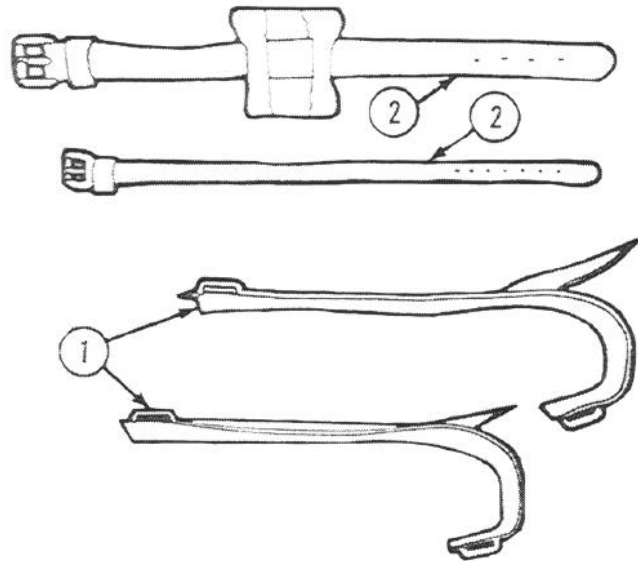


SAFETY STRAP



The safety strap is a leather strap with metal snap hooks on each end. These hooks attach to the D-rings on the safety belt.

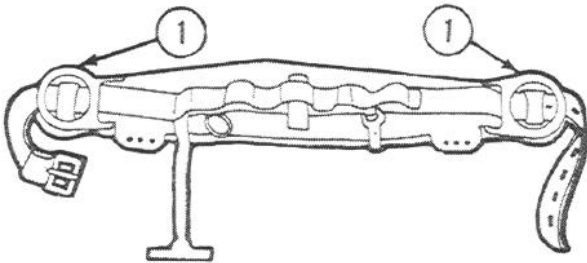
LEG IRONS



The leg irons (1) are often called tree and pole climbers. They consist of flattened metal bars, curved at one end to fit under the foot arch, and with the straight portion along the inside of the lower leg. Leather straps (2) secure the irons to the leg and ankle.

Climbing tools consist of safety belts (1), safety straps (2) and leg irons with spurs (3). Climbing tools are used for scaling poles and trees, erecting power lines, and for support when clearing and topping trees.

SAFETY BELT

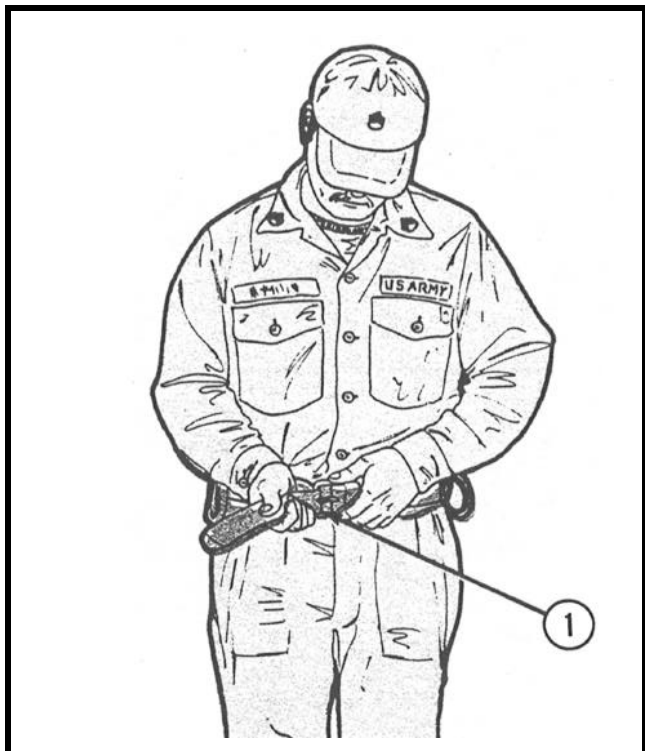


The safety belt is an adjustable leather belt that has loops in which to carry tools. It also has two D-rings (1) attached to hold the safety strap.

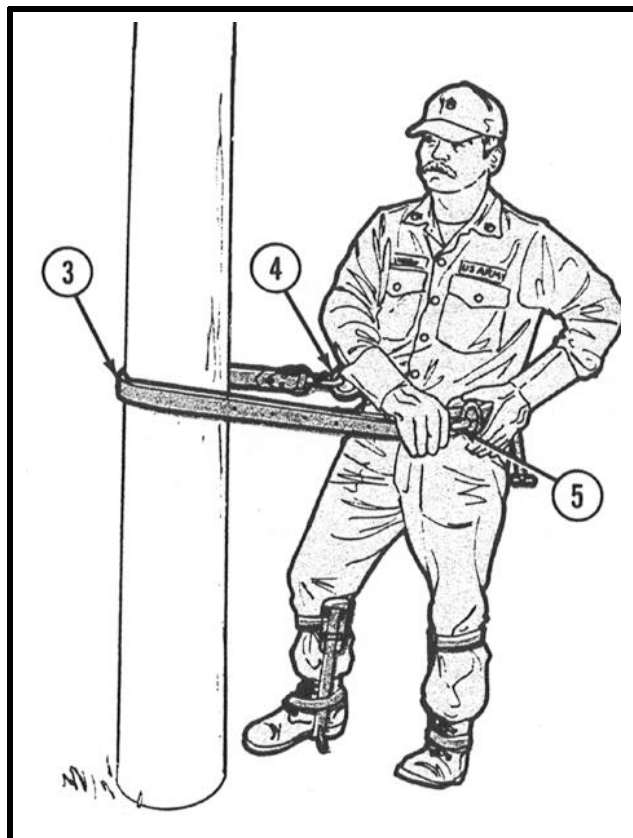
SAFETY

1. Always inspect climbing tools thoroughly before using them.
2. Never climb without using a safety strap.
3. When climbing, insure that the spurs are securely driven into the wood at each stop.
4. Do not use any belt or strap that is cracked or dried-out.
5. Never use a safety belt or safety strap with broken, bent or badly worn rings or fasteners.

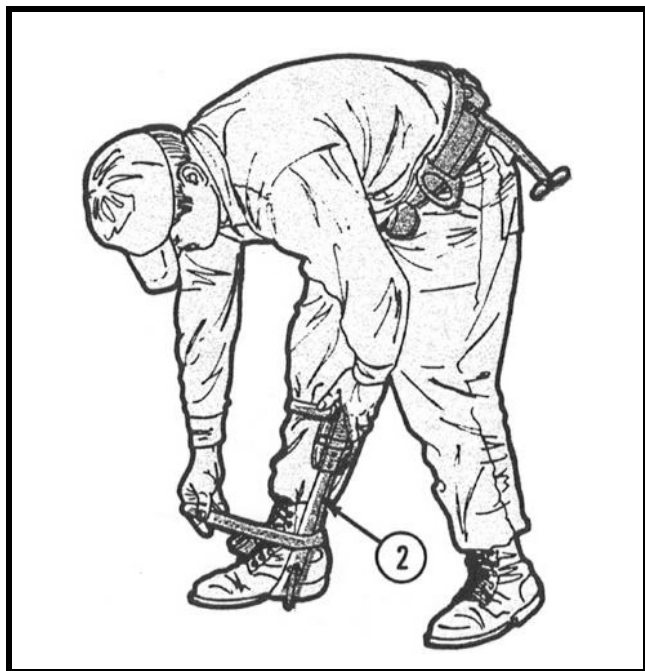
USING CLIMBING TOOLS



- 1 Secure safety belt (1) around waist and place tools needed in position on belt.



- 3 Snap the safety strap (3) to one D-ring (4) on the belt, pass the strap around the pole to be climbed, and snap, the other end of the safety strap to the other D-ring (5).

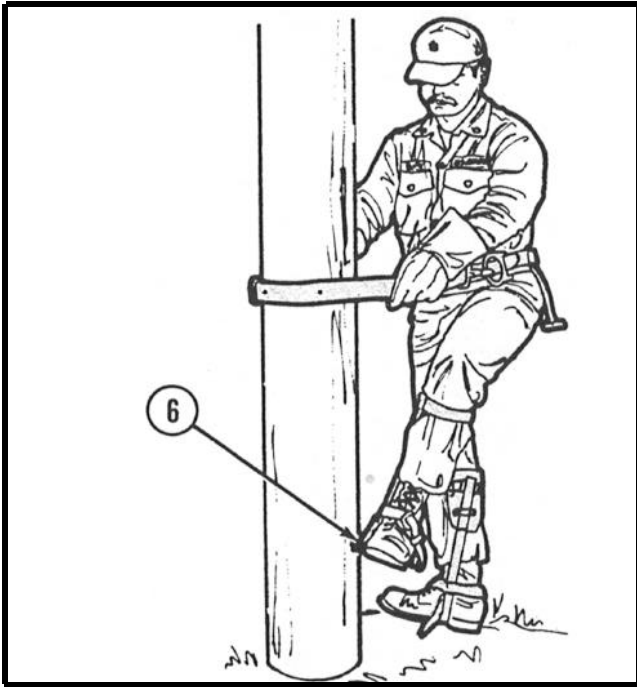


- 2 Strap the leg irons (2) to the legs and feet.

WARNING

Before placing your weight on the strap, look to see that the snap and D-ring are properly engaged. Do not rely on the click of the snap-tongue as an indication that the fastening is secure.

USING CLIMBING TOOLS - Continued



- 4 Begin the climb by driving one leg iron gaff (6) into the pole so the gaff has a solid hold.
- 5 Place your weight on the embedded gaff and drive the other gaff into the pole a little higher than the first.



- 6 Begin the climb using the procedure outlined in step 5.

- 7 While climbing, lean your body away from the pole to prevent the safety strap from slipping.
- 8 Keep both hands on the pole until the safety strap needs moving.
- 9 With both gaffs firmly embedded in the pole, slide the safety strap up the pole.



- 10 When desired height is reached, sink both gaffs into the pole at the same level.
- 11 Lean back with the safety strap around the pole slightly higher than the safety belt. Hold this position while working.

CARE OF CLIMBING TOOLS

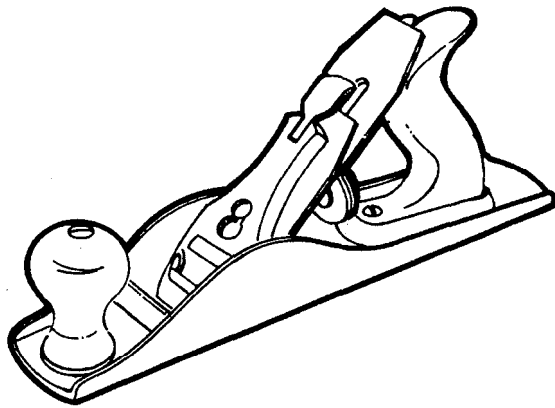
1. Keep leather items soft and supple by occasionally applying neat's foot oil.
2. Examine all stitching frequently and repair immediately if needed.
3. Inspect D-rings on the safety belt and snap-hooks of the safety strap frequently.
4. Keep spurs sharp by filing after use.
5. Store leather parts away from extreme heat.
6. Oil all metal parts before storing.
7. Lay metal leg irons away so spur points will not be damaged by coming in contact with other tools.

Chapter 50 PLANES

HOW TO CHOOSE AND USE THEM

The "Types and Uses" section provides you with a list of some of the types of planes. These pages should help you select the right plane to do the job.

The "Using" section tells you how to use planes to perform the desired function. The "Care" procedures tell you how to care for the item.



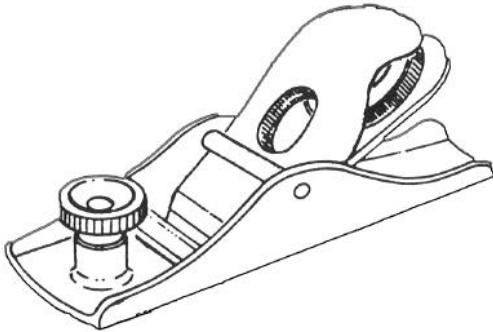
INDEX

<i>Item</i>	<i>Page</i>
TYPES AND USES	50-2
Block plane	50-2
Bench plane	50-2
SAFETY	50-2
USING	50-3
CARE	50-4

TYPES AND USES

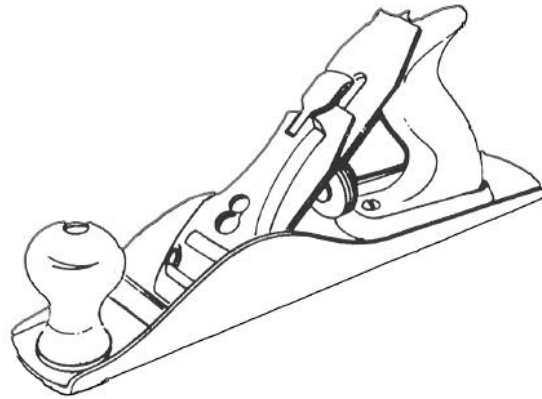
Planes are smoothing tools used to true edges or surfaces of wood. Planes also are used where a finished surface or close-fitting joints are required. Planes vary in size and shape, but each is designed for a specific purpose. The two types of planes most generally used are the block plane and bench plane.

BLOCK PLANE



The block plane is the smallest type of plane. It is available in a variety of patterns and is designed to cut end grain with the cutting blade set between 12 degrees and 20 degrees. Although it can usually be used with one hand, a toe knob is provided when additional pressure is needed.

BENCH PLANE



One of the most common types of bench planes is the jack plane. Like all bench planes, the jack plane is designed for cutting with the grain of the wood. Its cutting blade is set at approximately 45 degrees and is used for all purpose planing or to cut lumber to specified lengths.

SAFETY

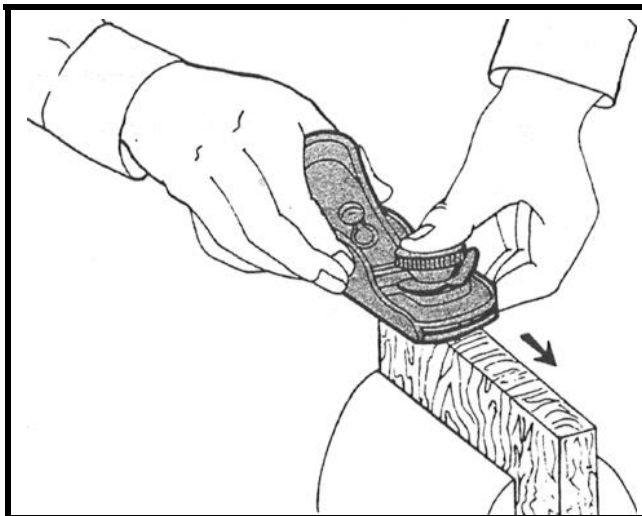
1. Be careful to plane work smoothly to avoid splinters that may be left to cause injury.
2. Use each plane only for the job it is intended.
3. Keep all cutting tools in good condition.
4. Do not allow tools to lie around work areas in such a position that they may cause injury to others.
5. Before using, inspect the tool for damage or other defects. Repair or replace immediately if required.

USING THE BLOCK PLANE

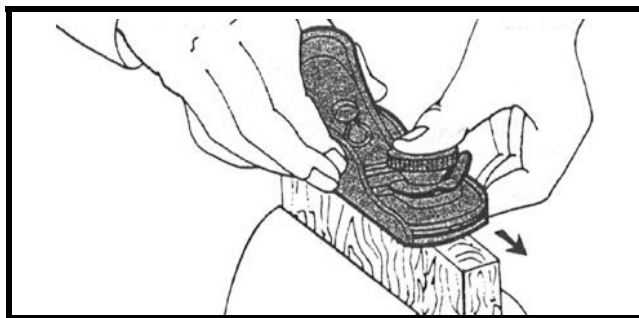
WARNING

WEAR EYE PROTECTION WHEN WORKING WHERE FLYING PARTICLES MAY CAUSE EYE INJURY.

- 1 Secure work with a vise or with clamps to prevent slippage.
- 2 Ensure that the cutting blade is extremely sharp and set to produce a fine cut.



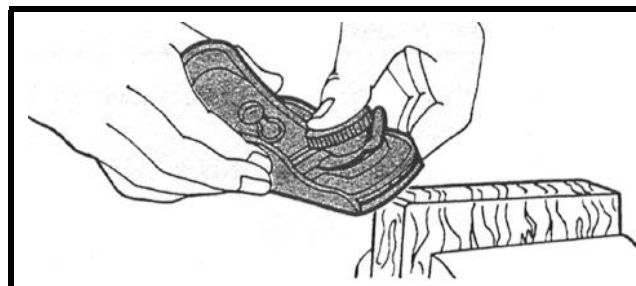
- 3 Place the plane on the edge of board with the plane pointing across the grain.



- 4 Push along the length of the board with a steady, even stroke.

NOTE

Plane from either end to prevent the grain splitting or plane a chamfer on the far end first, as shown.



- 5 Raise the plane from the work after each stroke and return to the starting point.
- 6 Repeat the process until the task is complete.

USING THE BENCH PLANE

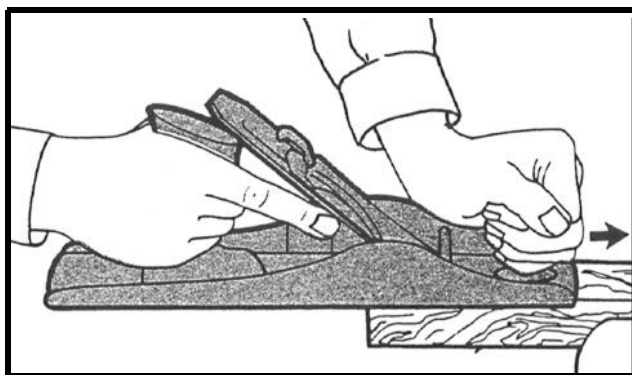
WARNING

WEAR EYE PROTECTION WHEN WORKING WHERE FLYING PARTICLES MAY CAUSE EYE INJURY

- 1 Secure work with a vise or with clamps to prevent slippage.
- 2 Make sure the plane is sharp and properly adjusted before using.
- 3 Place the plane on the board with the right hand on the handle and the left hand on the knob.

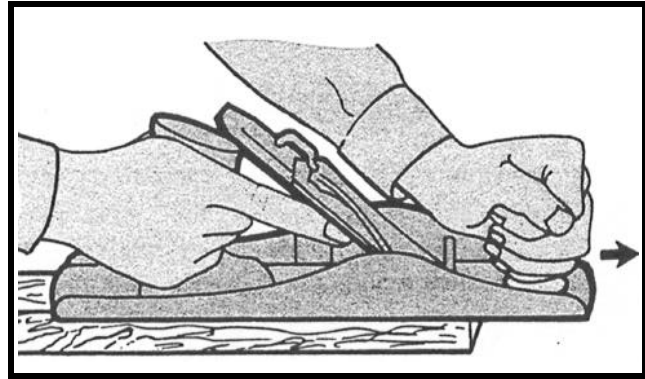
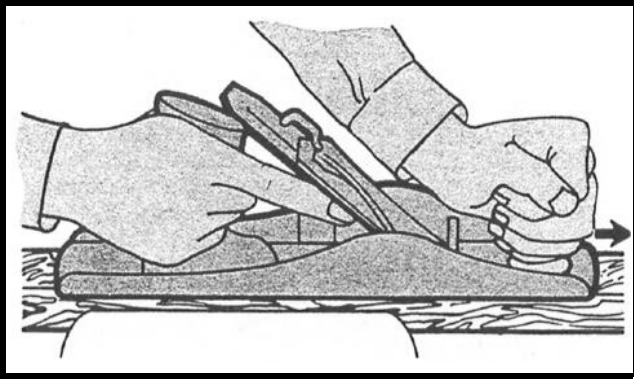
NOTE

Reverse the position of the hands if left-handed.



- 4 Check to insure the plane is placed on the work so that the wood grain points in the direction the plane will go.

USING THE BENCH PLANE - Continued



- 5 Push with a steady, even stroke along the length of the board.
- 6 Raise the plane and return to the starting point after each stroke.

- 7 Repeat the process until the task is completed.

CARE OF PLANES

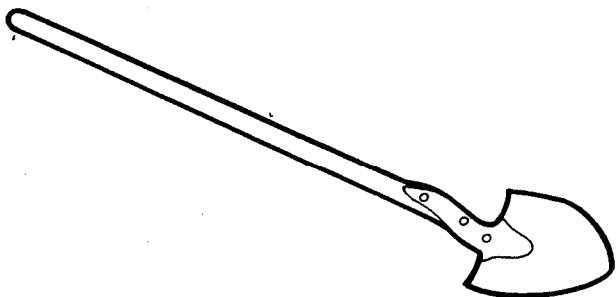
1. Place the plane on its side to protect cutting edge when not in use.
2. Keep the cutting edge sharp and free of nicks.
3. Cover all metal parts with light oil to prevent rusting.
4. For storage, withdraw the cutting edge into the mouth of the plane.

Chapter 51 DIGGING TOOLS

HOW TO CHOOSE AND USE THEM

The "Types and Uses" section provides you with a list of some of the types of digging tools. These pages should help you select the right digging tool to do the job.

The "Using" section tells you how to use digging tools to perform the desired function. The "Care" procedures tell you how to care for the item.



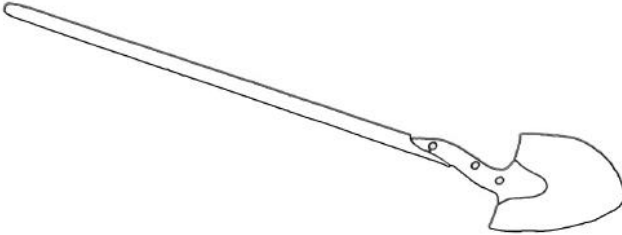
INDEX

<i>Item</i>	<i>Page</i>
TYPES AND USES	51-2
Long-handled shovel	51-2
D-handled shovel	51-2
Spade	51-2
Posthole auger	51-2
Posthole digger	51-2
SAFETY	51-3
USING	51-3
CARE	51-5

TYPES AND USES

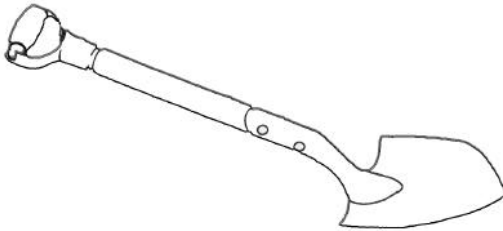
Digging tools are designed for the breaking and digging of soil. Common types of digging tools are the long-handled and D-handled shovel, spade, posthole digger, and auger.

LONG-HANDLED SHOVEL



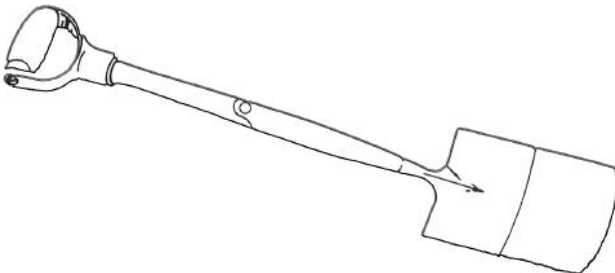
The long-handled shovel consists of a curved, shaped steel blade attached to a long wooden handle. The lower metal edge of the blade is tapered to help it cut into the ground. The long-handled shovel is used for heavy digging, especially when it is necessary to throw or move dirt a substantial distance.

D-HANDLED SHOVEL



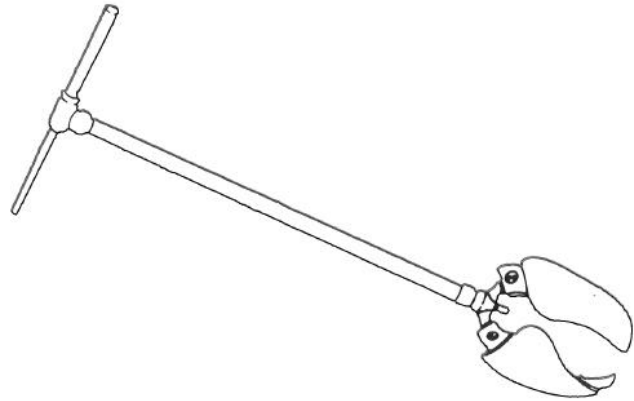
The D-handled shovel resembles the long-handled shovel except that it has a shorter handle with a D-shaped handgrip at the end. The D-handled shovel is used for light work or for digging in cramped, tight places.

SPADE



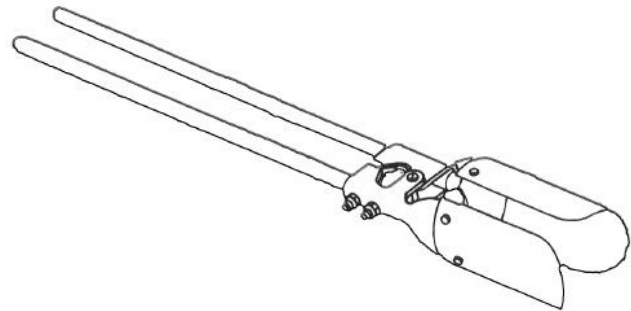
The spade, like the shovel, has a steel blade attached to a wooden handle. The blade may be rounded, pointed or square in shape and the handle may have the D or T-shaped handgrip. The spade is used for heavy digging or in confined areas.

POSTHOLE AUGER



The posthole auger is a long tool made up of a steel shaft that has two shovel-like blades at one end. The blades have curved faces which are hinged to permit slight movement with the concave surfaces of these blades facing each other. The posthole auger is used to bore holes in the ground for posts, poles and explosive charges.

POSTHOLE DIGGER

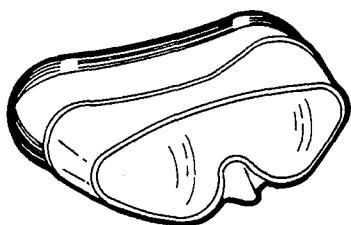


The posthole digger has two concave blades similar to the posthole auger except that each blade is fastened to a long, wooden handle. The blades are hinged at the top so that separating the handles will close them and moving the handles together will open them. Like the auger, the posthole digger is used to bore holes in the ground for posts, explosive charges and similar jobs.

SAFETY

1. Do not use a dull or defective tool.
2. Before swinging a tool, always be sure no one is close enough to be injured.
3. Store tools properly when not in use. Carelessly stored tools can cause injuries.
4. Use tools correctly so that you and everyone in the vicinity is protected from injury.
5. Do not use a tool not designed for the job.

USING THE LONG-HANDLED SHOVEL

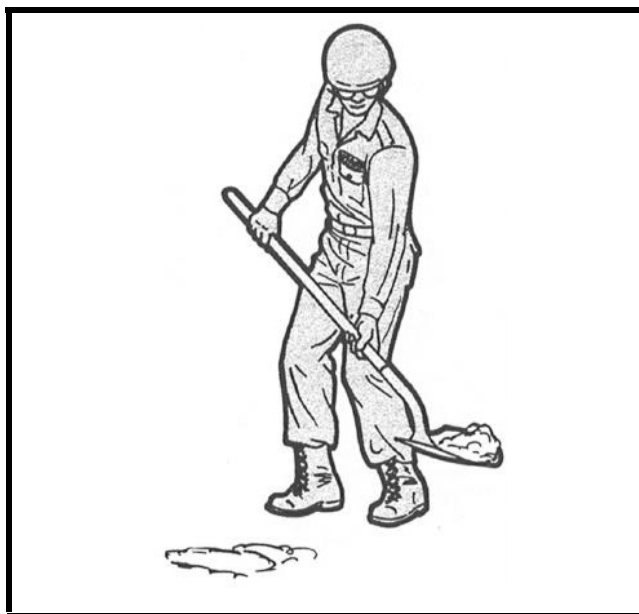


WARNING

WEAR PROPER EYE PROTECTION WHEN WORKING WHERE FLYING PARTICLES MAY CAUSE EYE INJURY.

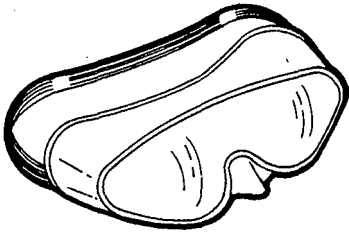


- 1 Hold one hand at the end of the handle, with the other hand a few inches below it.
- 2 Press the blade into the ground. Use the foot on top of the blade for extra force if necessary.
- 3 With shovel embedded in soil, push the handle downward and pull back slightly to break the dirt loose.



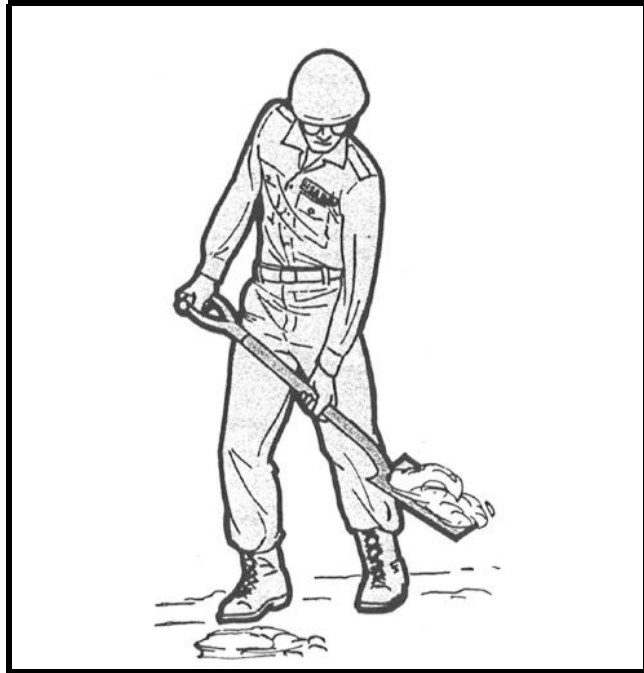
- 4 Slide one hand near enough to the shovel blade to raise the weight of the blade and dirt, holding the handle down with the other hand.

USING THE SPADE



WARNING

WEAR PROPER EYE PROTECTION WHEN WORKING WHERE FLYING PARTICLES MAY CAUSE EYE INJURY.

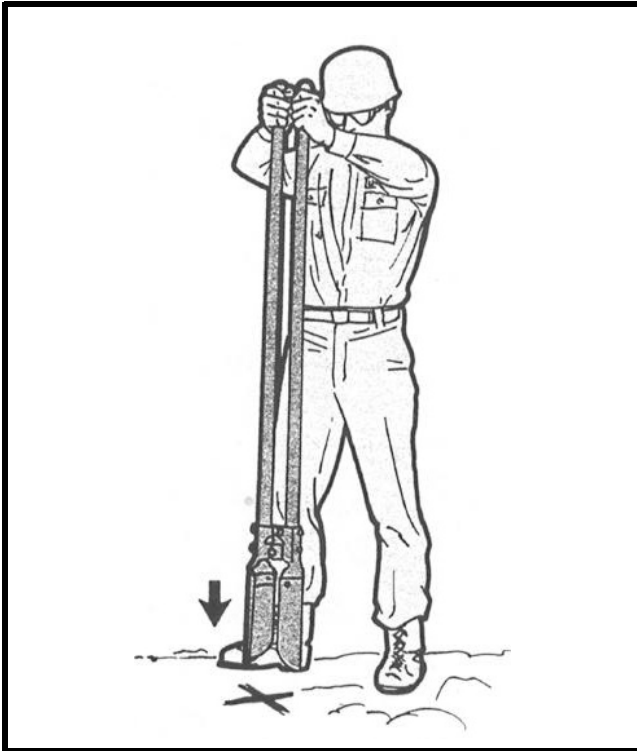


- 3 Slide one hand near enough to the blade to raise the weight of the blade and the dirt.

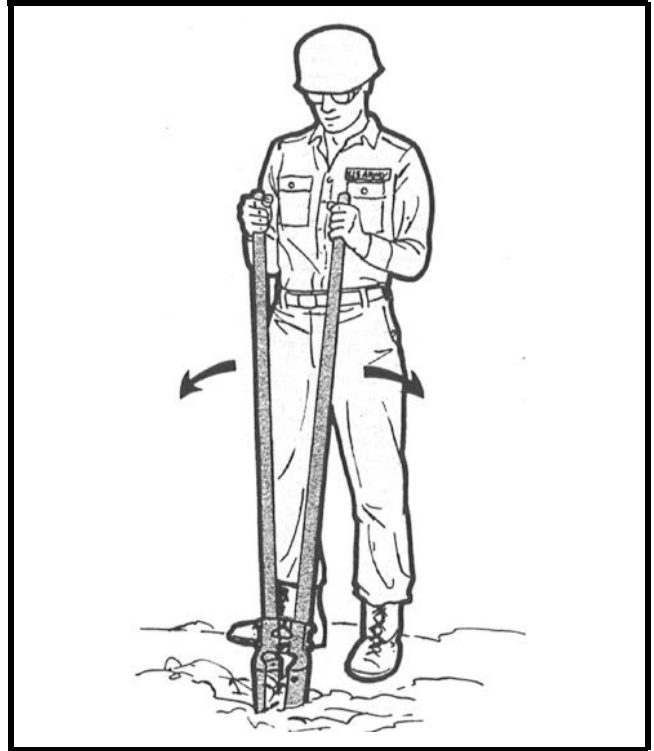


- 1 Hold the handle upright gripping with both hands and push the blade into the ground with foot.
- 2 With the blade in the ground, push the handle downward and pull back to break the dirt loose.

USING THE POSTHOLE DIGGER



- 1 Drive the posthole digger into the spot where the hole is to be dug.
- 2 Hold the handles slightly separated near the top and bring the blades down sharply into the soil by force of the arms.



- 3 Pull the handles apart to grasp the earth out of the hole and lift digger out of hole.
- 4 Continue the process until the hole is the required size and depth.

CARE AND CLEANING OF DIGGING TOOLS

1. Tools should be cleaned often after each use and metal parts oiled before storing.
2. Never use a tool other than for the job it was intended.
3. Store all digging tools in their proper places when not in use.
4. Replace defective handles immediately.

WARNING

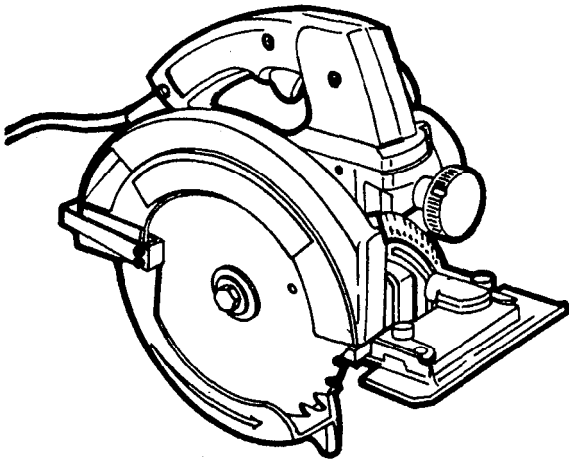
LINSEED OIL IS A FLAMMABLE LIQUID. TO AVOID PERSONAL INJURY, PROPERLY DISPOSE OF ALL CLEANING RAGS IN NON-COMBUSTIBLE CONTAINERS.

5. Treat wooden handles occasionally with linseed oil to prevent drying out or splintering.

CHAPTER 52 ELECTRICAL POWER TOOLS

HOW TO CHOOSE AND USE THEM

The "Types and Uses" pages provide you with a list of the electrical power tools found in the pioneer tool outfit. These pages should help you select the right power tool for the job. The "Using" pages tell you how to best use these tools. By becoming familiar with these procedures, you will build a good background for further skill development in the use of power tools. The "Care" pages tell you how to keep your power tools in proper working condition. The "Safety" page tells you how to use your power tools safely and wisely.

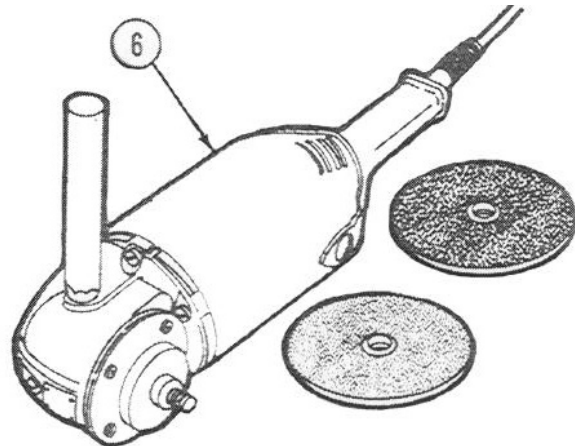
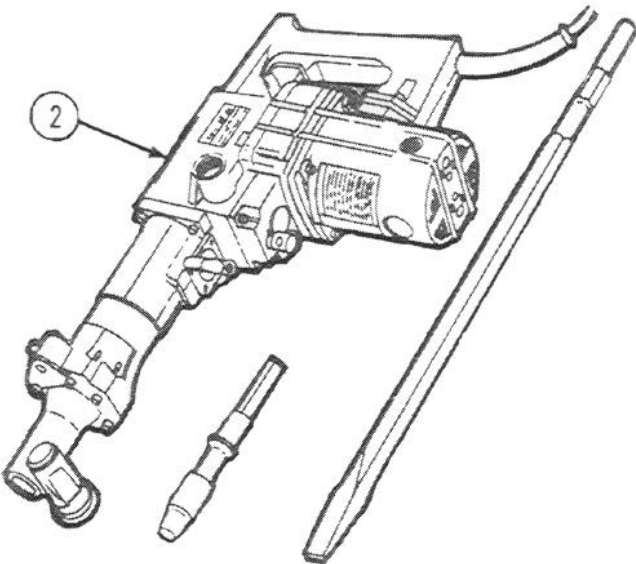
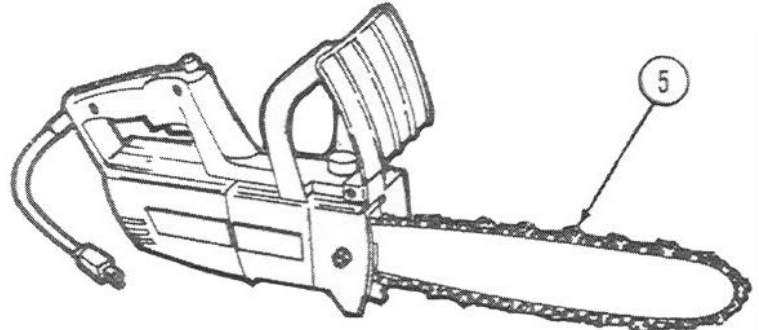
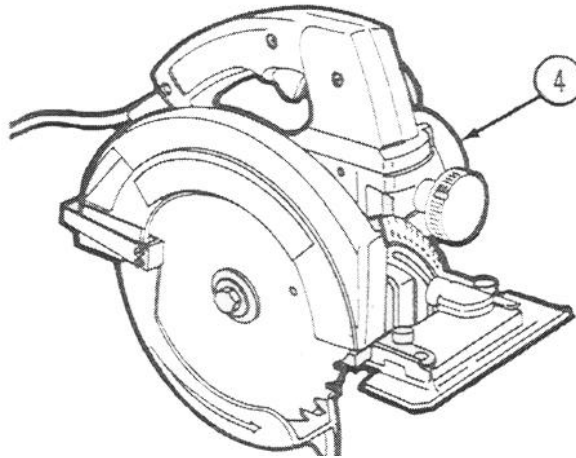
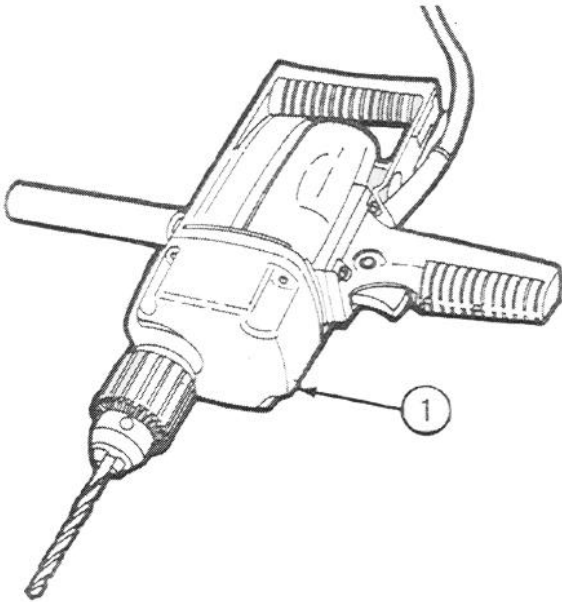
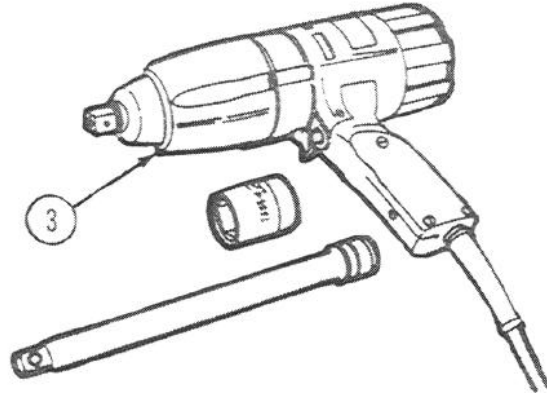


INDEX

<i>ITEM</i>	<i>Page</i>
TYPES AND USES	52-2
Portable electric drill	52-3
Portable electric hammer	52-3
Electric impact wrench	52-3
Portable electric circular saw	52-4
Portable electric chain saw	52-4
Portable electric disk sander	52-4
SAFETY	52-4
USING POWER TOOLS	52-5
Portable electric drill	52-5
Portable electric hammer	52-6
Electric impact wrench	52-7
Portable electric circular saw	52-8
Portable electric chain saw	52-10
Portable electric sander	52-12
CARE	52-13

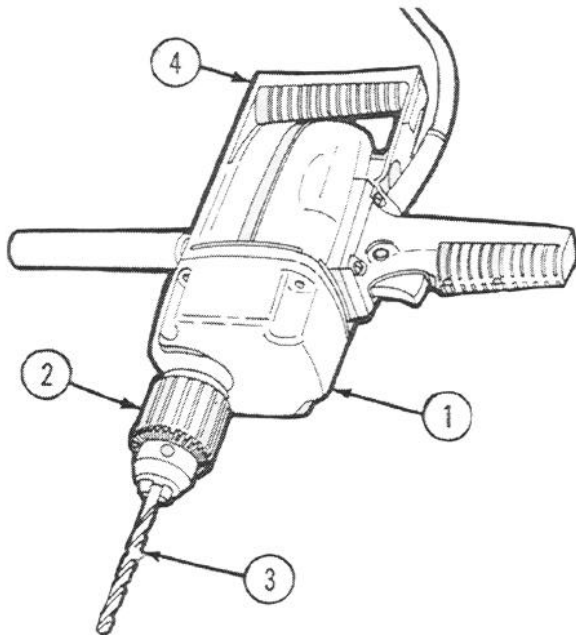
TYPES AND USES

Portable electric power tools are designed for a wide variety of uses including construction, tree cutting, bridging, or tree clearing. Electric power tools increase production and reduce time and manpower. Although there are many varieties of electric power tools, only those tools contained in the pioneer tool outfit will be covered in this chapter. They are the electric drill (1), hammer (2) impact wrench (3), circular saw (4) chain saw (5) sander (6), and accessories for these tools. For additional information on power tools not covered in this chapter, refer to FM 9-24.



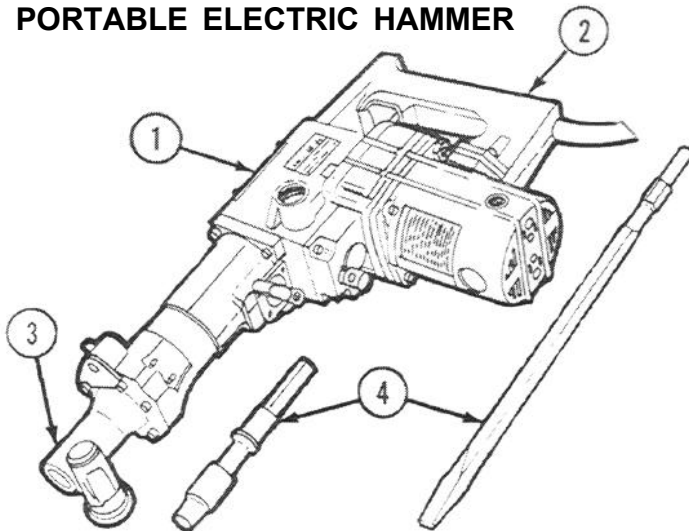
TYPES AND USES - Continued

PORTABLE ELECTRIC DRILL



The portable electric drill is basically an electric motor in a metal housing (1). The housing is fitted with a "chuck" (2) into which a bit (3) or other attachment can be inserted. The portable electric drill, although varying in size and design, usually has either a spade or pistol-grip handle (4). The portable electric drill is basically designed for drilling. However, by adding various accessories it can be adapted for different jobs. Sanding, sawing, buffing, and polishing are examples of possible uses.

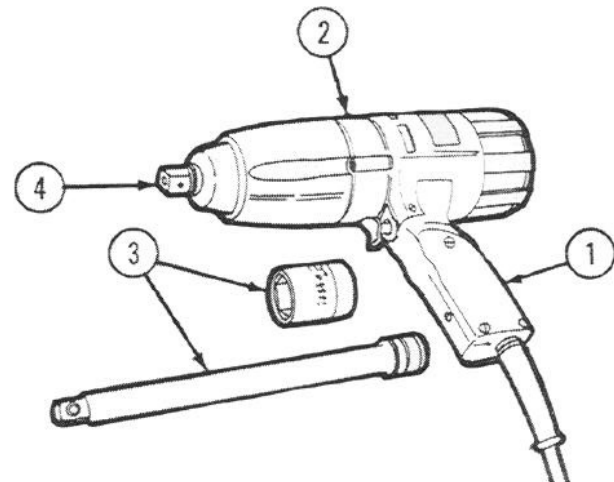
PORTABLE ELECTRIC HAMMER



The portable electric hammer consists of a metal housing (1) with a spade or pistol-grip handle (2).

A strong spring inside the housing moves a steel piston back and forth in a pounding motion. The housing muzzle (3) is designed to hold a variety of bits (4) which give the electric hammer great versatility. Examples of possible uses for this tool are beveling, caulking, pounding, digging, and breaking operations.

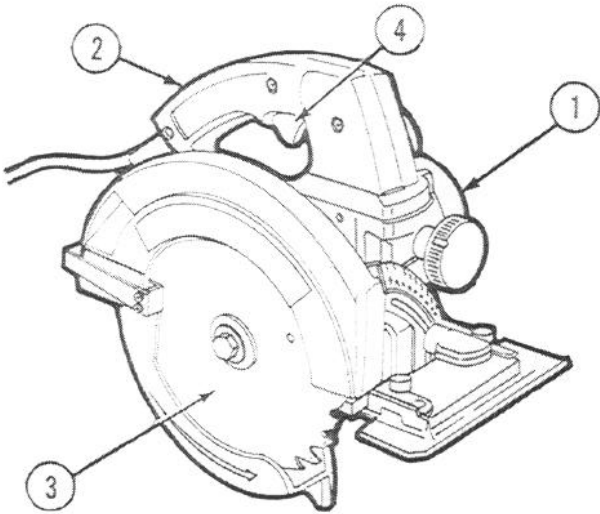
ELECTRIC IMPACT WRENCH



The portable electric impact wrench consists of a pistol-grip handle (1) on a metal housing (2) which contains a motor that energizes the driving-anvil inside the muzzle of the housing. Attachments (3) are fastened to the driving-anvil by snapping them onto the socket retainer (4). The portable electric wrench with its accompanying equipment is primarily intended for applying and removing nuts, bolts, and screws. It may also be used to drill and tap wood, metal, plastics, etc., and to drive and remove socket head or self-tapping screws.

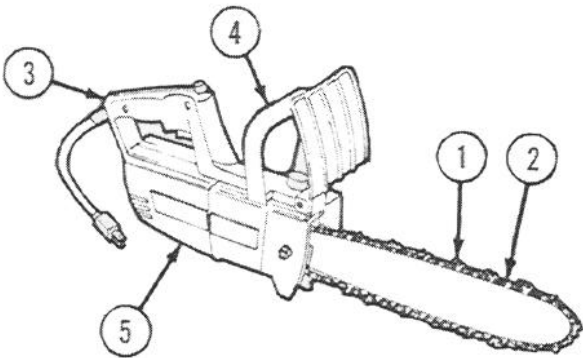
TYPES AND USES - Continued

PORTABLE ELECTRIC CIRCULAR SAW



The portable electric circular saw consists of a sturdy motor in a metal housing (1), a pistol-grip handle (2), and a circular saw blade (3). The trigger switch (4) is built into the handle. Saws vary in size and design depending on the nature of the task. There are many applications for this tool. Typical uses would be cutting studding to length, cutting off end boards, preparing trim, or ripping boards and planks.

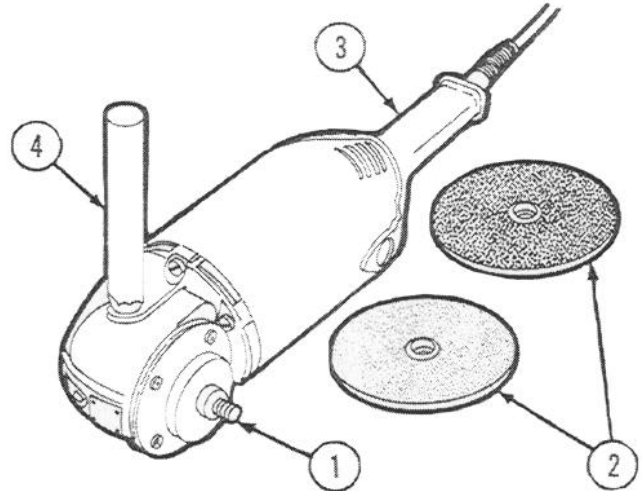
ELECTRIC CHAIN SAW



The electrically driven chain saw is a portable power saw with the teeth (1) arranged on a flexible steel chain-like belt (2). It has a pistol-like grip (3) and bar frame (4) above the motor housing (5) for holding and

guiding. Unlike the gasoline-powered chain saw, the electric chain saw is designed for lighter work such as tree trimming and cutting small logs and timber.

PORTABLE ELECTRIC DISK SANDER



The portable electric disk sander is an electrically driven tool with a spindle (1) at the front end for holding circular attachments (2). Various types of attachments can be fastened to the end of the projecting spindle. The rear end of the sander's housing tapers to form a guiding handle (3). To provide additional control, a second handle (4) is attached to the side of the housing. The portable electric disk sander with its many attachments can be used for a variety of tasks. Heavy-duty sanding, grinding, wire brushing, buffing, and planing are some of the possible applications.

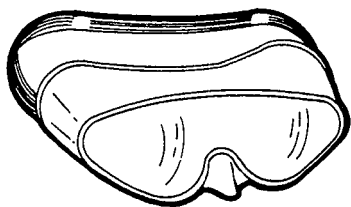
SAFETY

Before operating any power tool, refer to Chapter 2, Section II for safety guidelines to observe when using these tools.

USING THE PORTABLE ELECTRIC DRILL

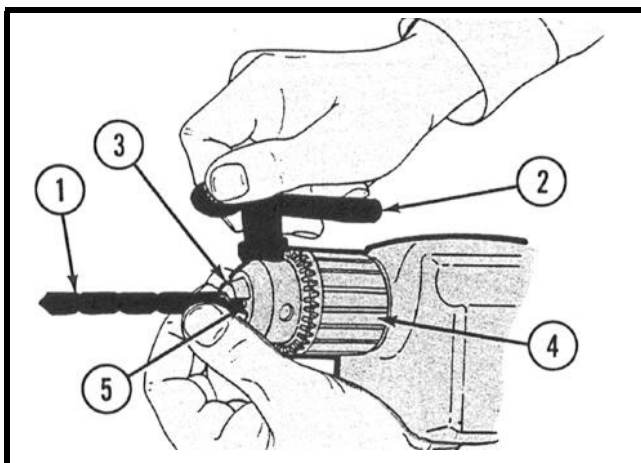
WARNING

BEFORE USING ANY ELECTRICAL TOOL, ALWAYS MAKE CERTAIN THE TOOL IS EQUIPPED WITH PROPER GROUNDING FEATURES. FAILURE TO HAVE PROPER GROUNDING CAN RESULT IN SERIOUS SHOCK.



WARNING

ALWAYS WEAR PROPER EYE PROTECTION WHEN WORKING WHERE FLYING PARTICLES MAY CAUSE EYE INJURY.

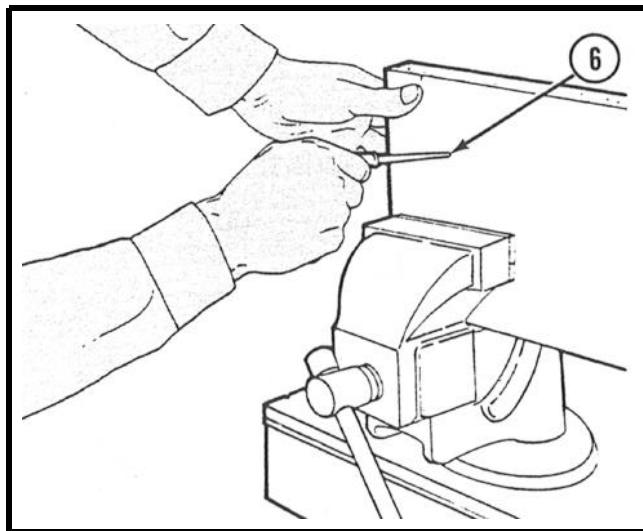


- 1 Select the proper bit (1) required for the task.

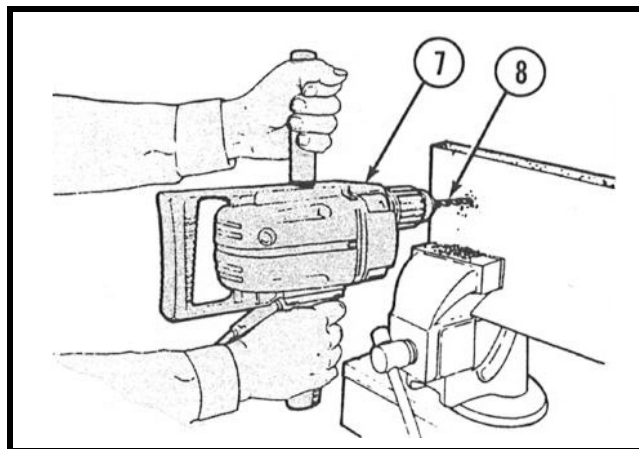
NOTE

To turn chuck key in either direction a firm grasp of the chuck is required.

- 2 Fit the chuck key (2) into the side adjusting hole between jaws (3) and chuck (4) and turn the key counterclockwise until the chuck opens enough to admit the bit shank (5).
- 3 Insert the bit and center the shank in the chuck jaws. Tighten jaws securely by turning the chuck key clockwise.
- 4 Remove chuck key and store where key will not get lost.



- 5 Before drilling, make sure that the work is stationary or firmly secured.
- 6 Using a punch or awl, make a small prick point (6) in the spot where the hole will be made. (This will prevent the drill bit from bouncing or slipping away from the spot where the hole is to be drilled.)

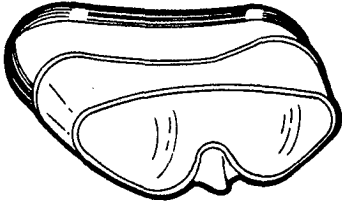


- 7 Connect electric drill (7) to power source. Place the drill bit on the marked spot and depress trigger switch. Begin drilling, exerting firm but even pressure to keep the bit cutting.
- 8 Withdraw the bit frequently from the work to clean chips from the bit flutes (8) and to allow the bit to cool.
- 9 Ease upon the drill pressure as the bit approaches the other side of the work surface.
- 10 After hole is completed, carefully withdraw rotating drill bit to prevent binding or breaking. Release trigger switch.

USING THE PORTABLE ELECTRIC HAMMER

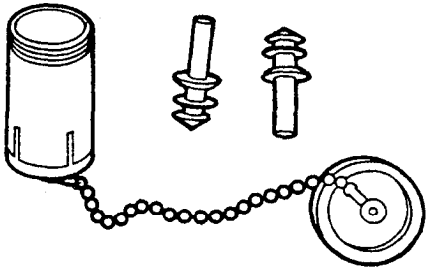
WARNING

BEFORE USING ANY ELECTRICAL TOOL, ALWAYS MAKE CERTAIN THE TOOL IS EQUIPPED WITH PROPER GROUNDING FEATURES. FAILURE TO HAVE PROPER GROUNDING CAN RESULT IN SERIOUS SHOCK.



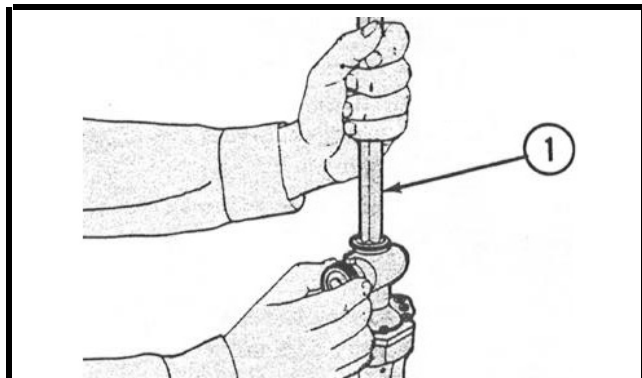
WARNING

ALWAYS WEAR PROPER EYE PROTECTION WHEN WORKING WHERE FLYING PARTICLES CAN CAUSE EYE INJURY.

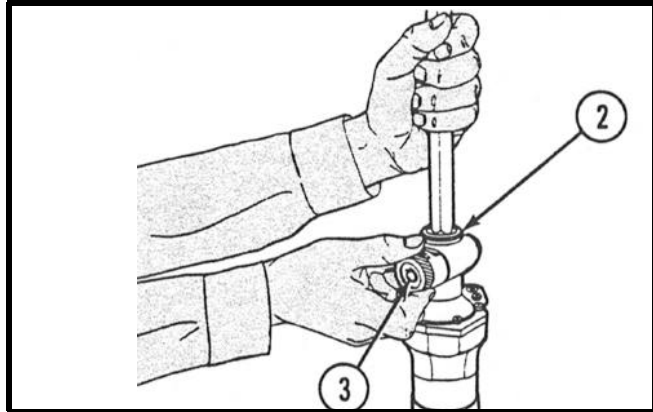


WARNING

THE ELECTRIC HAMMER PRODUCES HAZARDOUS NOISE LEVELS WHEN IN OPERATION. ALWAYS WEAR PROPER PROTECTION TO AVOID POSSIBLE HEARING LOSS.



- 1 Select the correct attachment (1) required for the task.



- 2 Insert attachment into bit retainer (2), and secure in place with locking collar (3).

CAUTION

TO PREVENT UNNECESSARY WEAR OF PRECISION PARTS AND COMPONENTS, PLACE BIT AGAINST WORK SURFACE BEFORE OPERATING SWITCH.

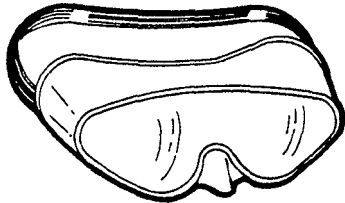


- 3 Connect hammer (4) to power source and depress handle trigger.
- 4 Apply only enough pressure to keep the bit in contact with working surface.
- 5 Occasionally stop the hammer and clear dust or other residue from the working surface.

USING THE IMPACT WRENCH

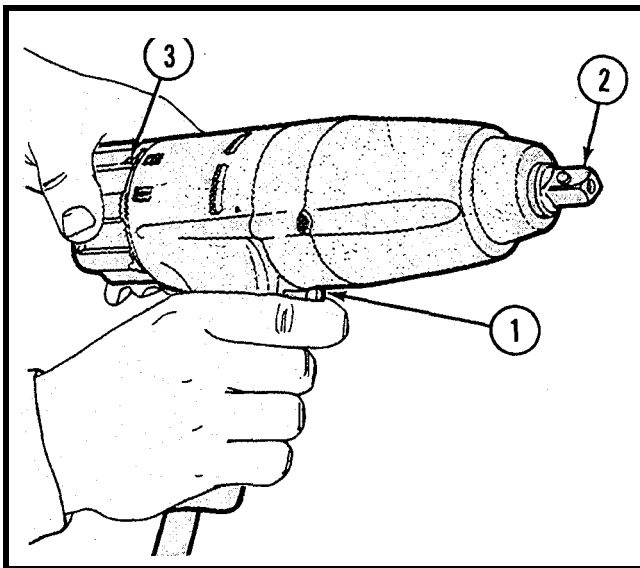
WARNING

BEFORE USING ANY ELECTRICAL TOOL, ALWAYS MAKE CERTAIN THE TOOL IS EQUIPPED WITH PROPER GROUNDING FEATURES. FAILURE TO HAVE PROPER GROUNDING CAN RESULT IN SERIOUS SHOCK.



WARNING

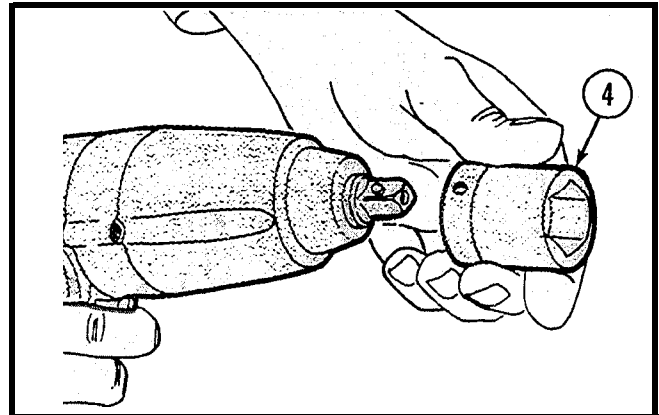
ALWAYS WEAR PROPER EYE PROTECTION WHEN WORKING WHERE FLYING PARTICLES CAN CAUSE EYE INJURY.



Before start of work make sure impact wrench and its reversible features are functioning properly in the following manner:

- 1 Connect cord to power source.
- 2 Depress trigger (1) and note the rotating direction of the driving anvil (2).
- 3 Stop the wrench and adjust the ratchet switch (3) to reverse the direction.

- 4 Start the wrench again making sure the driving anvil is now rotating in the opposite direction.
- 5 Repeat steps 2 through 4 several times to make sure the wrench is reversing consistently.
- 6 Disconnect impact wrench from power source.
- 7 Replace the wrench if it does not perform in the above manner.

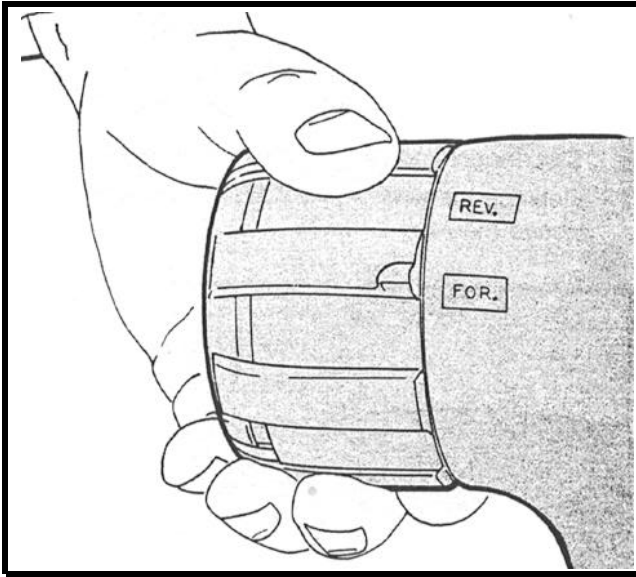


WARNING

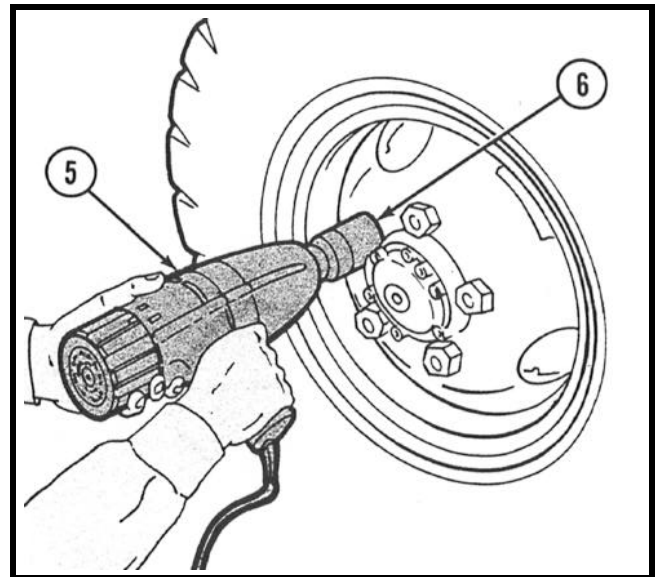
DO NOT USE STANDARD SOCKETS WITH ANY IMPACT TOOL. THEY CAN SHATTER CAUSING SERIOUS INJURY AND/OR DAMAGE TO THE EQUIPMENT.

- 8 Select the proper attachment (4) and secure it in place on the driving anvil.

USING THE IMPACT WRENCH - Continued



9 Set the ratchet switch in desired position for anvil rotation required. Reconnect impact wrench to power source.



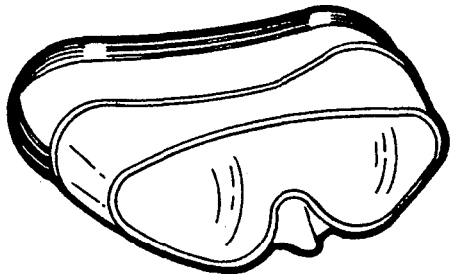
10 Using both hands, place impact wrench (5) on work surface (6) and depress trigger.

11 Continue operation until work is completed. Release trigger to stop wrench.

USING THE PORTABLE ELECTRIC CIRCULAR SAW

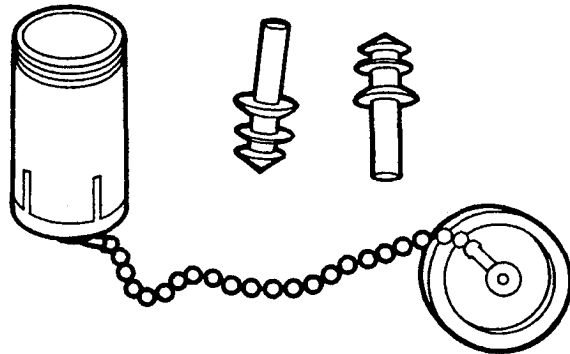
WARNING

BEFORE USING ANY ELECTRICAL TOOL, ALWAYS MAKE CERTAIN THE TOOL IS EQUIPPED WITH PROPER GROUNDING FEATURES. FAILURE TO HAVE PROPER GROUNDING CAN RESULT IN SERIOUS SHOCK.



WARNING

ALWAYS WEAR PROPER EYE PROTECTION WHEN WORKING WHERE FLYING PARTICLES CAN CAUSE EYE INJURY.

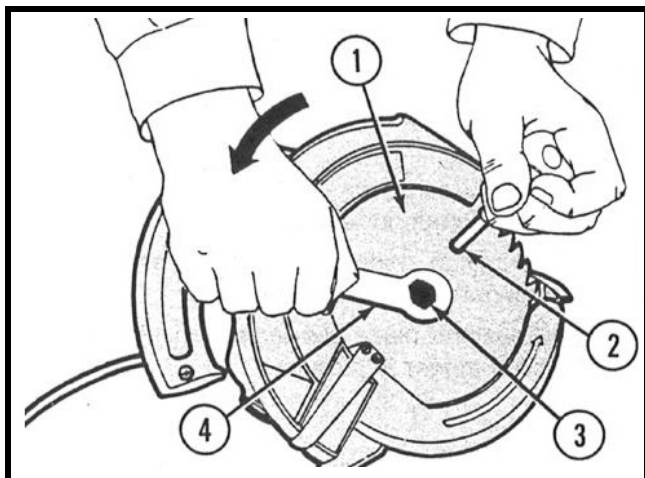


WARNING

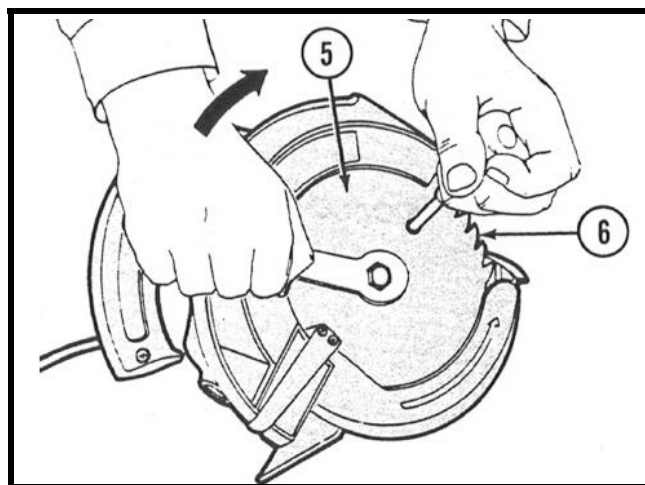
THE ELECTRIC CIRCULAR SAW PRODUCES HIGH NOISE LEVELS WHEN IN OPERATION. ALWAYS WEAR PROPER PROTECTION TO AVOID POSSIBLE HEARING LOSS.

USING THE PORTABLE ELECTRIC CIRCULAR SAW - Continued

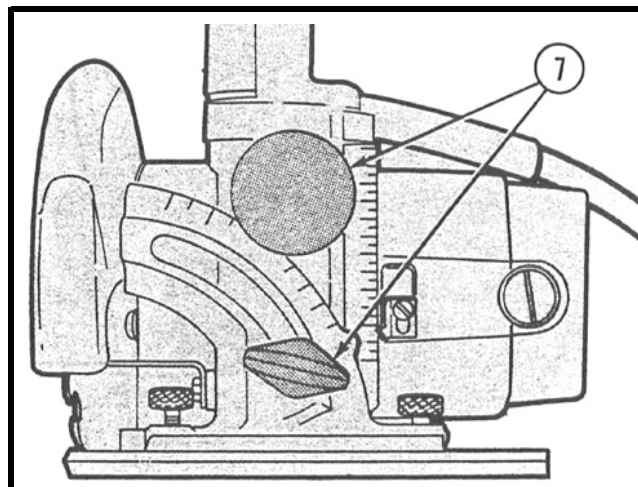
Select the proper saw blade for the task and attach as follows:



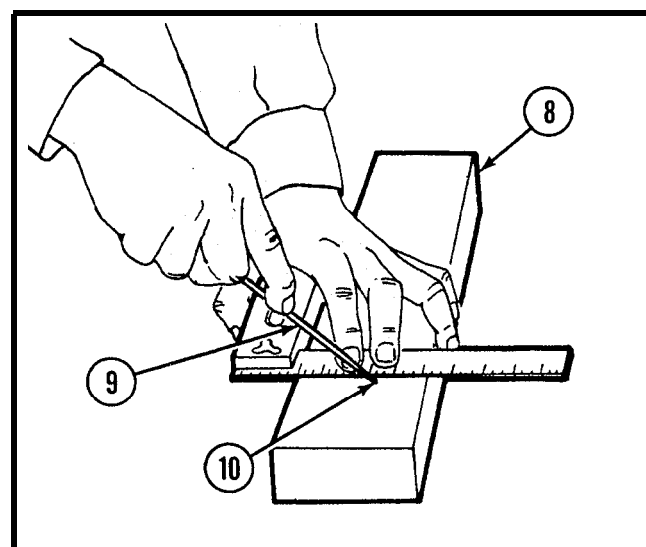
- 1 Make sure power to saw is disconnected.
- 2 To change saw blades, lock the old blade (1) on the saw by inserting a punch, screwdriver, nail, etc. in blade hole (2) provided.
- 3 Remove the old blade by removing the saw clamp screw and flange (3) using wrench (4) provided. Turn the wrench counterclockwise to loosen blade.



- 4 Install new saw blade (5) on saw, and make sure teeth (6) are in the correct cutting direction (upwards toward saw).
- 5 Tighten clamp and flange screw by turning wrench clockwise.

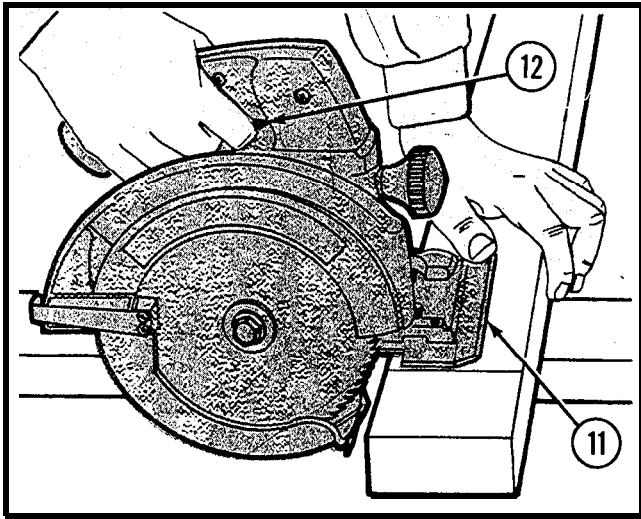


- 6 Set the saw's guides (7) to the correct angle and depth of the cut required.



- 7 Make sure the work (8) to be cut is firmly secured to prevent slippage or movement.
- 8 With a marking instrument (9) such as a pencil, pen, scribe, etc., draw a straight line (10) across the work surface to act as a guide for the saw blade to follow.

USING THE PORTABLE ELECTRIC CIRCULAR SAW - Continued



CAUTION

The saw blade must be revolving at full speed before it contacts the work surface.

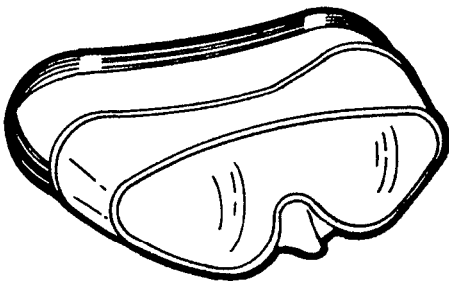
- 10 Depress handle trigger (12) to start saw and follow guideline made in step 8.
- 11 When cutting, apply firm, steady pressure. Be careful not to force the saw.
- 12 Continue until blade has completed the entire cut. Release trigger to stop saw.

- 9 Connect circular saw to power source and place sole plate (11) on work surface.

USING THE ELECTRIC CHAIN SAW

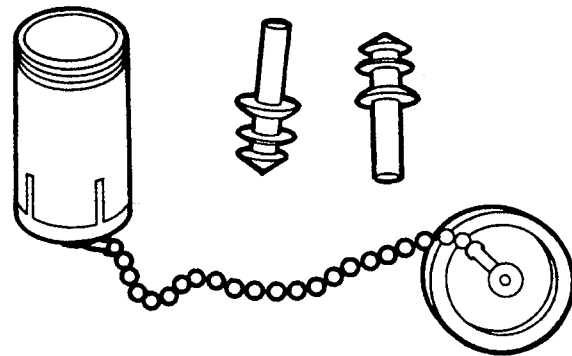
WARNING

BEFORE USING ANY ELECTRICAL TOOL, ALWAYS MAKE CERTAIN THE TOOL IS EQUIPPED WITH PROPER GROUNDING FEATURES. FAILURE TO HAVE PROPER GROUNDING CAN RESULT IN SERIOUS SHOCK.



WARNING

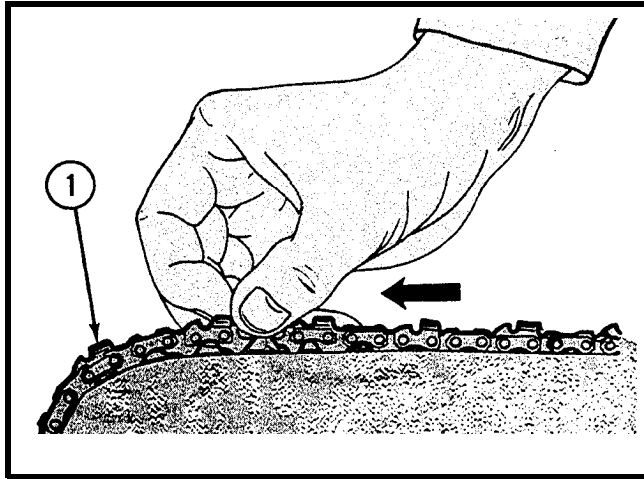
ALWAYS WEAR PROPER EYE PROTECTION WHEN WORKING WHERE FLYING PARTICLES CAN CAUSE EYE INJURY.



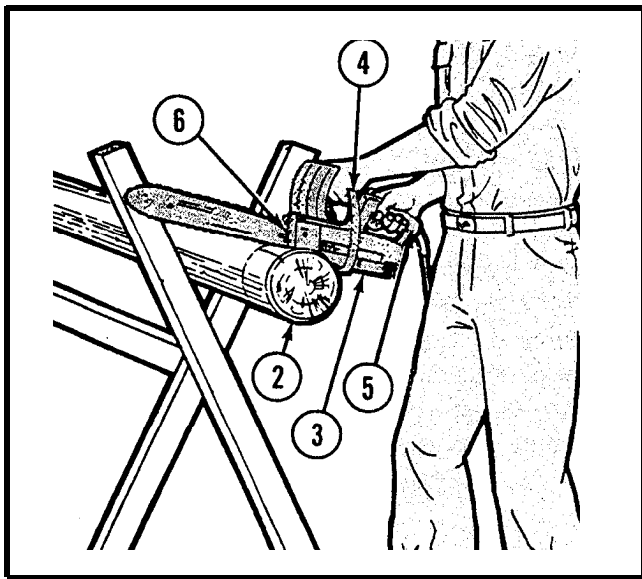
WARNING

THE ELECTRIC CHAIN SAW PRODUCES HAZARDOUS NOISE LEVELS WHEN IN OPERATION, ALWAYS WEAR PROPER PROTECTION TO AVOID POSSIBLE HEARING LOSS.

USING THE ELECTRIC CHAIN SAW - Continued



- 1 Make sure power source is disconnected. Before using, ensure that the chain teeth (1) are in the proper position (saw should cut in direction of arrow).
- 2 Check the teeth to make sure they are sharp and undamaged.



- 3 Ensure that the work (2) is stationary and well secured to prevent slippage or movement.
- 4 Connect chain saw to power source.

WARNING

NEVER STAND DIRECTLY BEHIND CHAIN SAW.

- 5 Stand to the left of the saw (3) with your left hand on the front handle (4) and your right hand on the rear handle (5).

NOTE

Reverse the position of the stance and hands if left-handed.

- 6 With your weight evenly distributed, depress trigger to start saw.

WARNING

WHEN CUTTING, KEEP THE NOSE OF THE GUIDE BAR FROM CONTACTING LOGS, BRANCHES, GROUND OR ANY OTHER OBSTRUCTION. THIS CAN CAUSE "KICKBACK" WHICH IS A QUICK AND DANGEROUS UPWARD MOVEMENT OF THE GUIDE BAR AND SAW CHAIN.

CAUTION

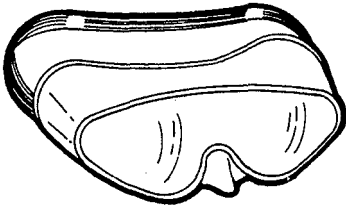
The saw chain should be at maximum speed before contacting working surface.

- 7 Cut with the spike bar (6) set firmly against the wood and apply light pressure.
- 8 Continue to guide the chain saw through the work until cut is completed.

USING THE PORTABLE ELECTRIC SANDER

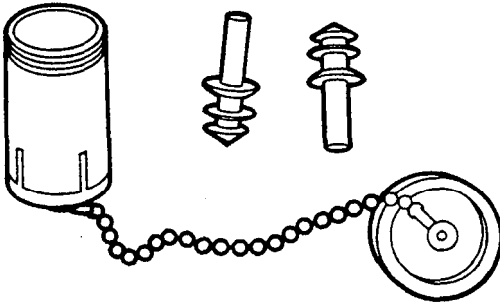
WARNING

BEFORE USING ANY ELECTRICAL TOOL, ALWAYS MAKE CERTAIN THE TOOL IS EQUIPPED WITH PROPER GROUNDING FEATURES. FAILURE TO HAVE PROPER GROUNDING CAN RESULT IN SERIOUS SHOCK.



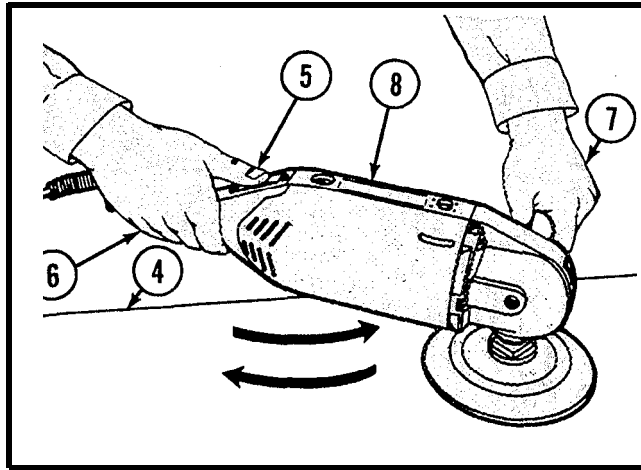
WARNING

ALWAYS WEAR PROPER EYE PROTECTION WHEN WORKING WHERE FLYING PARTICLES CAN CAUSE EYE INJURY.



WARNING

THE ELECTRIC SANDER PRODUCES HAZARDOUS NOISE LEVELS WHEN IN OPERATION. ALWAYS WEAR PROPER PROTECTION TO AVOID POSSIBLE HEARING LOSS.

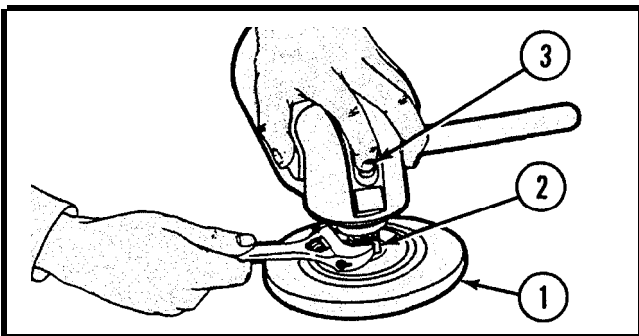


- 2 Make sure the work surface (4) is secured to prevent movement.
- 3 Connect sander to power source. Depress switch (5) on the sander so that the attachment is turning before placing it on the work surface.

CAUTION

Using excessive pressure will slow up the sanding action, clog the disk, and cause motor to overheat.

- 4 With one hand on each handle (6) and (7), begin sweeping the sander (8) back and forth across the work surface.
- 5 During operation, tilt the sander slightly so the entire disk does not contact the work surface.
- 6 Brush or clean the sanding dirt from the work surface frequently.
- 7 When finished, lift the sander from the work surface before turning off the switch.



- 1 Select the proper attachment (1) and secure it to the spindle (2) by depressing locking button (3) and tightening spindle as shown.

CARE OF ELECTRIC POWERTOOLS

In order to achieve and maintain maximum performance, all electrical power tools must be given proper care. The following is a list of guidelines that will help keep your power tools in a "ready to use" condition.

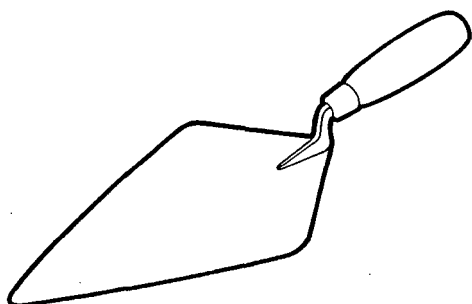
1. Keep all power tools, especially the housing intake and exhaust holes, clear and free of dust and dirt at all times.
2. Examine power tool cords for exposed loose wires and for damaged insulation.
3. Wipe power cords frequently to prevent deterioration from oil or grease.
4. Check cord plugs for loose prongs or cracked casings.
5. Never hold or drag electrical tools by the cord at any time.
6. To prevent rusting, apply a light coat of oil to cutting surfaces of tools.
7. Store power tools in properly designated containers' when not is use.

Chapter 53 MISCELLANEOUS TOOLS

HOW TO CHOOSE AND USE THEM

The "Types and Uses" section provides you with a list of some of the types of miscellaneous tools. These pages should help you select the right miscellaneous tool to do the job.

The "Using" section tells you how to use these various tools to perform the desired function. The "Care" procedures tell you how to care for the item.

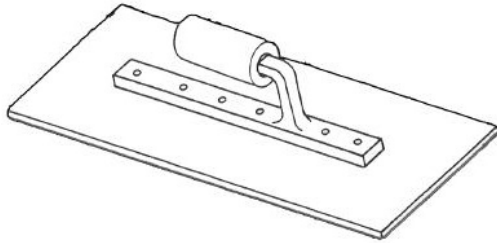


INDEX

<i>Item</i>	<i>Page</i>
TYPES AND USES	53-2
Cement trowel	53-2
Brick trowel	53-2
Miner's spoon	53-2
Blocks	53-2
Trip wire grapnel	53-3
Chain assembly	53-3
Cable jaw grip	53-3
Tension puller	53-3
SAFETY	53-4
USING	53-4
CARE	53-7

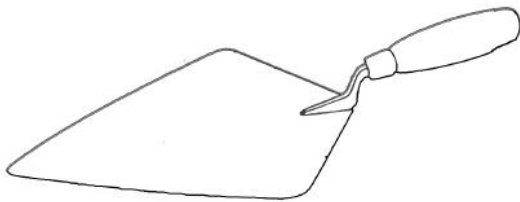
TYPES AND USES

CEMENT TROWEL



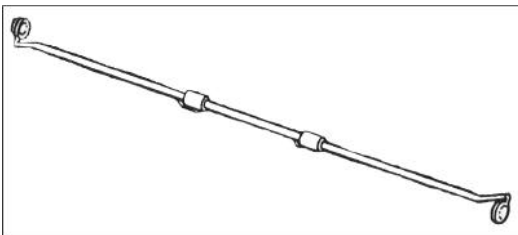
The cement trowel is a flat rectangular blade fastened by a metal strap and shank to a wooden handle. It is used in concrete work for leveling, smoothing, or pushing wet cement into place.

BRICK TROWEL



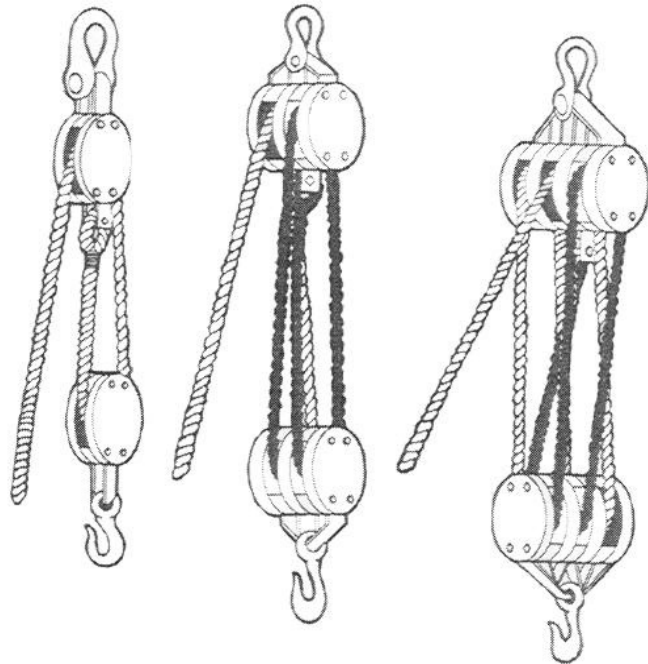
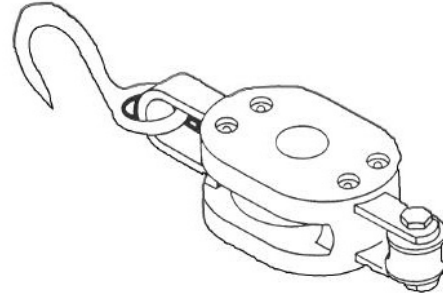
This type of trowel has a pointed flat blade at one end, and a steel shank that attaches to a wooden handle at the other. The brick trowel is used to scoop and spread mortar.

MINER'S SPOON



The miner's spoon is used to lift material out of narrow deep holes, in order to clear for further drilling or to permit placing of explosive charges. The miner's spoon is a slender metal rod with the ends forged into small bowl-shaped projections at right angles to the rod.

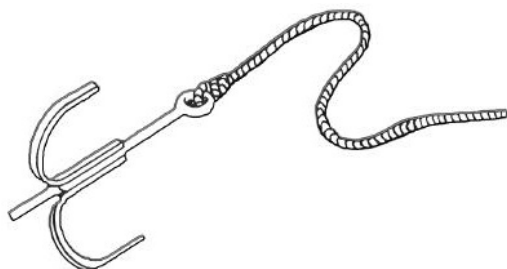
BLOCKS



Blocks are used in combination with rope and wire to hoist and move loads. The block consists of a metal shell which supports both ends of a pin. The shell also houses a grooved pulley that revolves on the pin. Attached at one end of the first block is a freely revolving hook. Blocks may be classified as single, double, triple, etc. according to the number of pulleys housed in the shell of the block. Depending on the various combinations of blocks available to do the job, the mechanical advantage can be increased indefinitely.

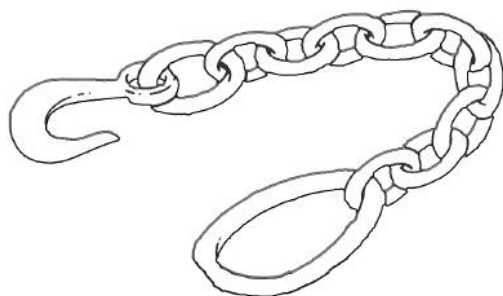
TYPES AND USES - Continued

TRIP WIRE GRAPNEL



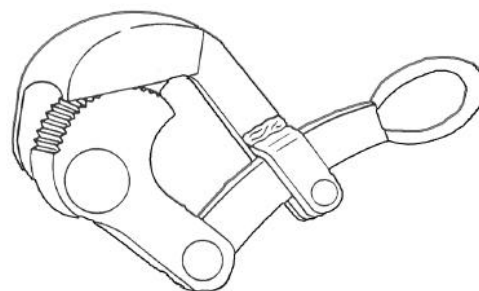
The trip wire grapnel is a metal weight resembling three or four fish hooks, with a common shank ending in an eye. The hooks spread out in different directions at the other end of the shank. Attached to the eye portion of the shank is a marlin cord of varying length. The grapnel is used to trip wires designed to go off on contact, to find booby traps, or to detonate mines.

CHAIN ASSEMBLY



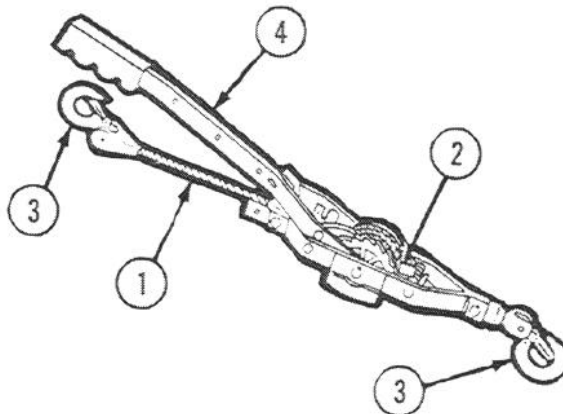
The chain assembly is a heavy duty linked chain with a grab hook at one end and a ring at the other. The chain assembly is used for such applications as towing vehicles, slinging loads, and hauling objects. The chain assembly is available in a wide variety of lengths and link sizes depending on the nature of the use.

CABLE JAW GRIP



The cable jaw grip is used to tighten or stretch wires or cables for various operations. Examples of application include removing kinks or bends in cables, tightening cables on loads or bales, or for cleaning and oiling of cables. Cable grips, depending on their application, vary in size and design.

TENSION PULLER

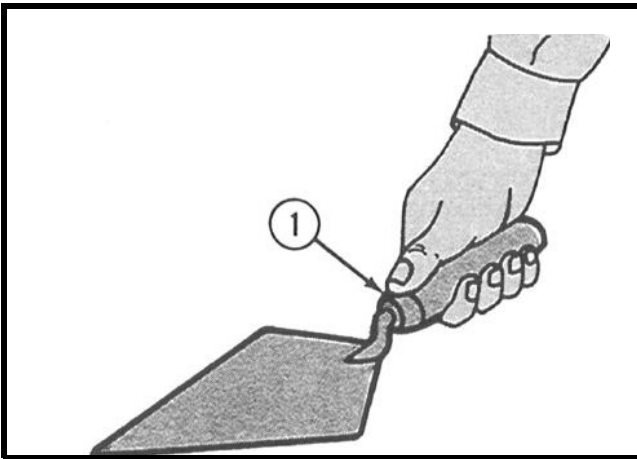


Like the cable jaw grip, the tension puller is used to tighten or stretch cables. The tension puller has strong cable (1) attached to a cable notch gear (2). At the end of the cable is a hook (3). This hook (3) can be attached to the eyelet of the cable to be tightened. Tension is then applied to the cable by moving the tension handle (4) in an up and down motion.

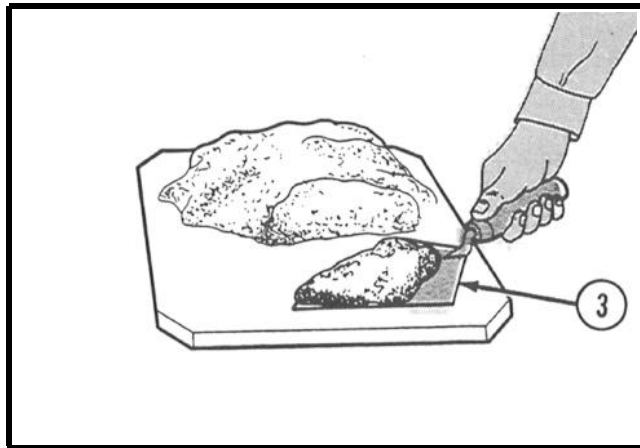
SAFETY

1. Wash brick trowel, thoroughly wash all mix dust from skin, and remove dusty clothing when finished. Dust ingredients can burn the skin or cause eye injury.
2. When using the tension puller, be sure the hook (or hooks) is of correct size to hold the cable snugly.
3. When swinging the trip wire grapnel, hold the rotating tool at a safe distance from the arm.
4. Be sure tackle used with blocks is safe and meets lifting requirements.
5. Use each tool only for its designated purpose.

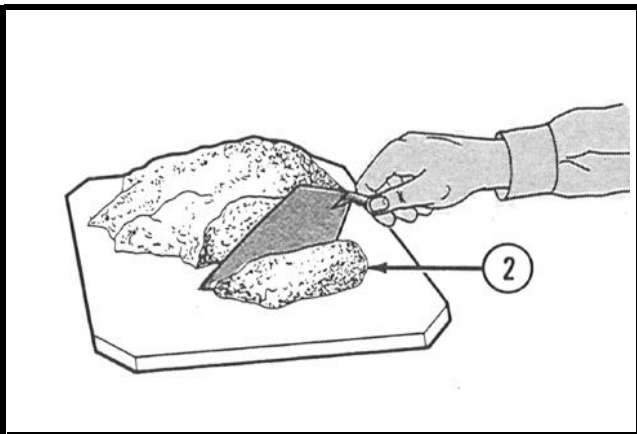
USING THE BRICK TROWEL



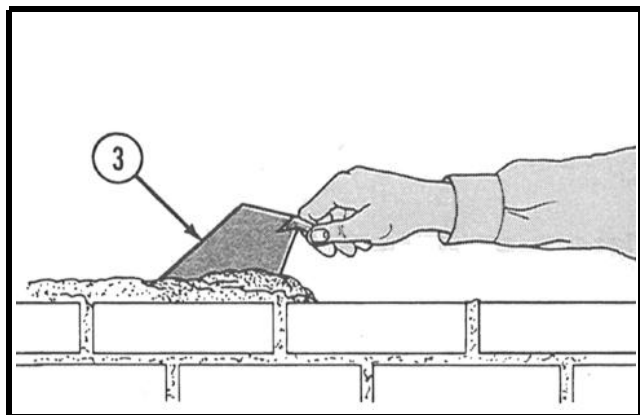
- 1 Hold the trowel with thumb on top of handle (1) for balance and control.



- 3 Slide the trowel under the mortar, seating it firmly on the blade (3) with a slight jerk of the wrist.
- 4 Hold the edge of the blade over the center of the work surface.

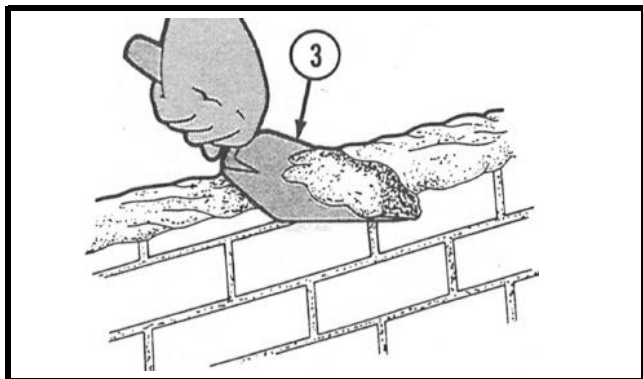


- 2 Slice off a trowel load of mortar (2).



- 5 Move the trowel steadily backward, tilting it to slide the mortar gradually from the blade (3), leaving an even bed of mortar on the work surface.

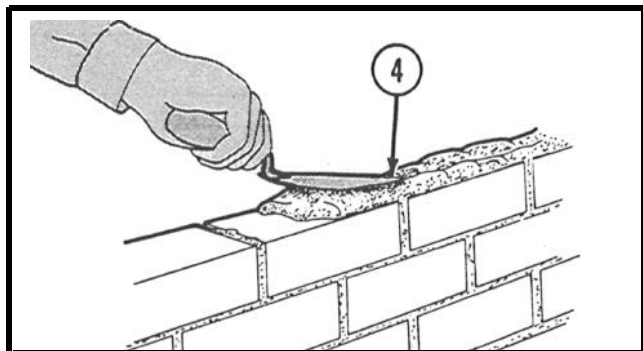
USING THE BRICK TROWEL - Continued



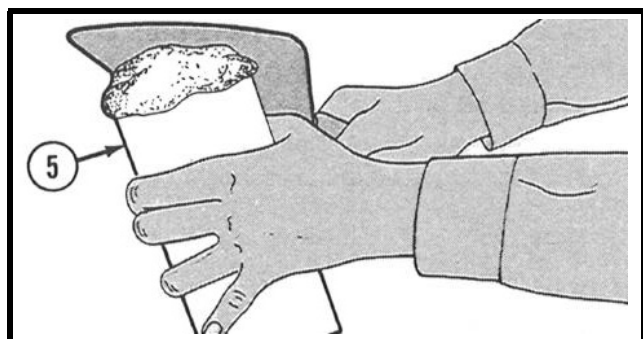
- 6** Cut off excess mortar after each application by holding the trowel blade (3) slightly angled against the work surface and moving forward.

NOTE

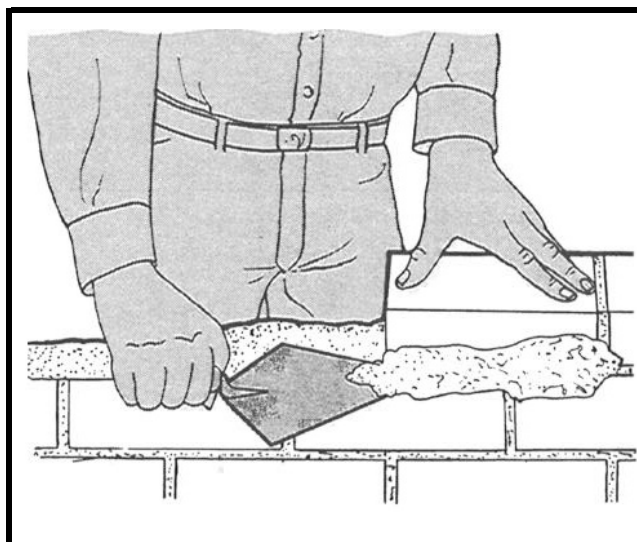
Excess mortar should be returned to mortar board or applied to any gaps or uneven areas in the mortar bed.



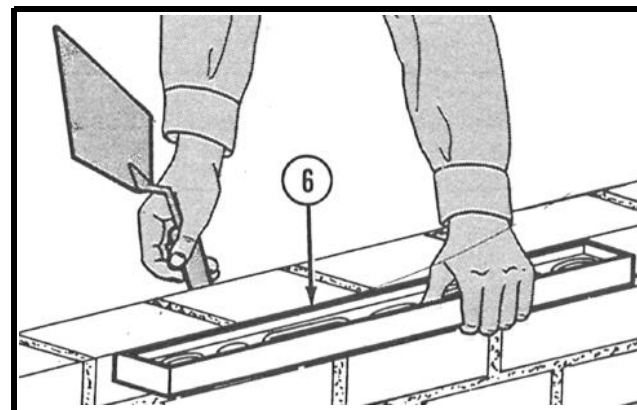
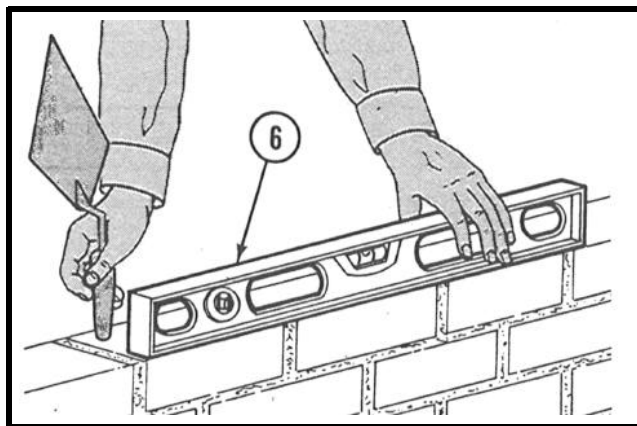
- 7** To allow enough movement to position bricks, groove the mortar bed with the point (4) of the trowel.



- 8** Using the trowel, coat the brick ends (5) with mortar before laying them in place.

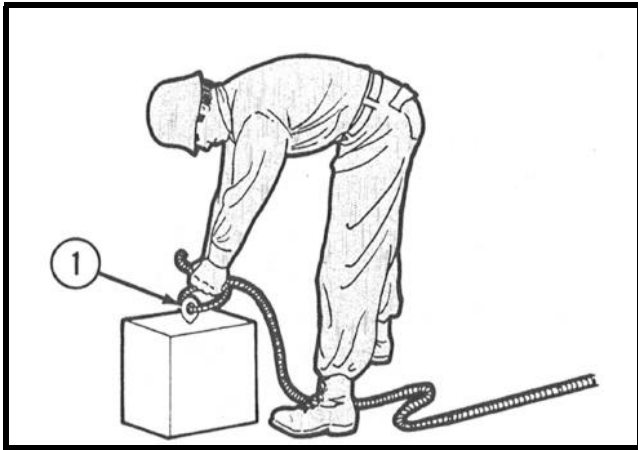


- 9** Cut off any excess mortar.

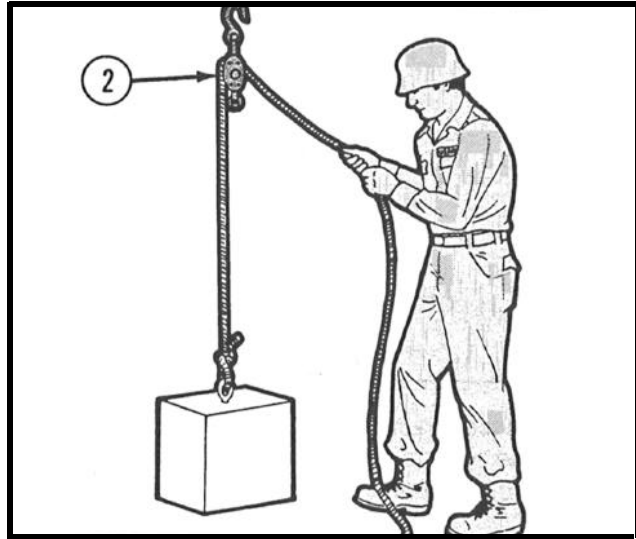


- 10** Lay enough bricks to cover the mortar bed and tap into line using a builder's level (6).

USING THE BLOCK

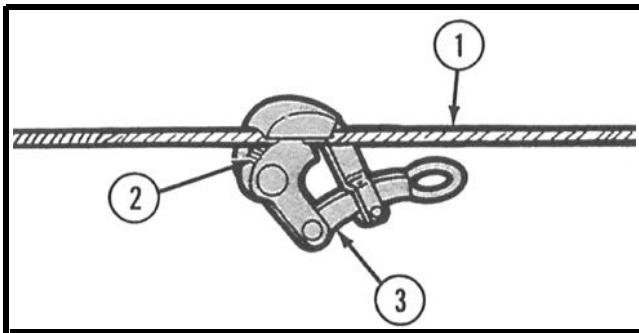


- 1 Secure one end of the rope or ropes to the load (1) to be moved.

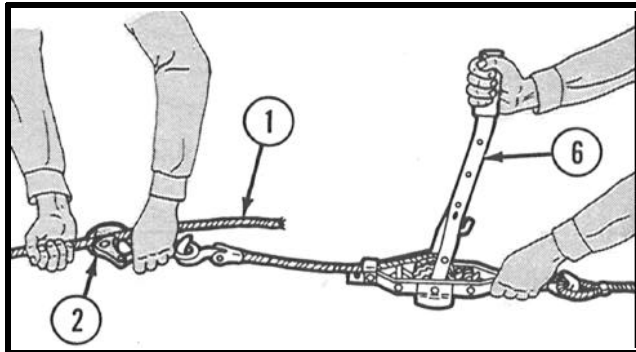


- 2 Pass the other end of the rope over the pulley (2) of the block attached to some type of solid support.
- 3 Apply the necessary manpower to the end of the rope to lift the load.

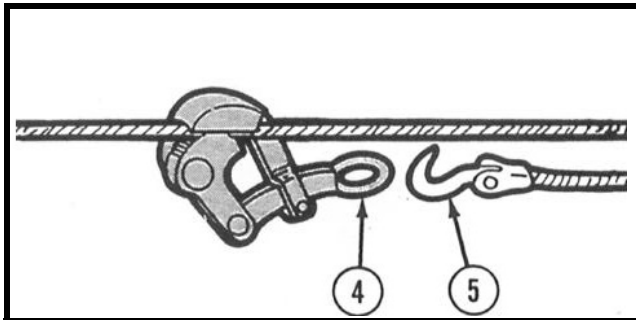
USING THE CABLE JAW GRIP AND TENSION PULLER



- 1 Place end of cable (1) between jaws (2) of cable jaw grip (3) (from jaw end of tool).



- 3 Hold the jaws (2) together over cable (1). Apply pressure with tension puller handle (6).
- 4 Apply pressure until cable (1) is stretched to make the jaws (2) hold the cable firmly.
- 5 Continue pressure using handle of tension puller (6) until desired pressure is reached.



- 2 Fasten eye (4) to tension puller hook (5).

CARE OF MISCELLANEOUS TOOLS

1. Clean all tools thoroughly after using.
2. Store tools in approved areas to prevent damage.
3. Oil all rustable metal parts of tools before storing.

WARNING

LINSEED OIL IS A FLAMMABLE LIQUID. TO AVOID PERSONAL INJURY, PROPERLY DISPOSE OF ALL CLEANING RAGS IN NON-COMBUSTIBLE CONTAINERS.

5. Do not use a brick trowel to pry bricks or rocks loose.
 6. Never oil pulley grooves.
 7. Inspect tools frequently, especially pins in blocks.
 8. Never use a damaged chain assembly. Replace damaged chain links promptly.
 9. Always use the proper size and design of cable jaw grips for each task. Using the wrong size or style can be dangerous.
4. Prevent wooden parts of tools from drying out by applying linseed oil occasionally.

APPENDIX A REFERENCES

A-1. PUBLICATION INDEXES.

The following indexes should be consulted frequently for latest changes or revisions of references given in this appendix and for new publications relating to material covered in this manual.

DA Pam 108-1	Index of Army Motion Pictures and Related Audio-Visual Aids
Military Publications:	
DA Pam 310-1	Consolidated Index of Army Publications and Blank Forms
DA Pam 750-10.....	US. Army Equipment Index of Modification Work Orders

A-2. SUPPLY CATALOGS.

Class 5110, 20 IL	Class 5110 Hand Tools Nonedged, Nonpowered 5120
SC 9100 IL	Fuels, Lubricants, Oils and Waxes
SC 5130, 33, 36, 40, 80 IL	Hand Tools, Power Driven, 5130; Drill Bits, Counterbores, and Countersinks: Hand and Machine, 5133; Taps, Dies and Collets: Hand and Machine, 5136; Tools and Hardware Boxes, 5140; and Sets, Kits, and Outfits of Handtools
SC 5345 , 50 IL	Hardware and Abrasives; Disks and Stones, Abrasive
SC 5200 IL	Measuring Tools
SC 3400 IL	Metalworking Machinery
SC 3200 IL	Woodworking Machinery and Equipment

A-3. FORMS.

DA Form 2028-2	Recommended Changes to Equipment Technical Publications
----------------------	---

A-4. OTHER PUBLICATIONS.

The following explanatory publications contain information pertinent to this material and associated equipment.

TM 38-750	The Army Maintenance Management System (TAMMS)
FM 43-4	Common Wood and Metal Repair
AR 310-5	Dictionary of United States Army Terms (TC 21-5-7)
FM 9-24	Fundamentals of Machine Tools
FM 43-2	Metal Body Repair and Related Operations

TM 9-243

FM 21-30	Military Symbols AFM 55-3
AR 310-50	Military Terms, Abbreviations, and Symbols: Authorized Abbreviations and Brevity Codes
FM 43-3	Shop Mathematics
Safety:	
AR 385-40	Accident Reporting and Records

ALPHABETICAL INDEX

A

<i>Subject</i>	<i>Page</i>
Adjustable Parallel	9-2
Adz	45-3
Angle Plates	9-2
Auger, Post Hole	51-2
Awls	31-1
Saddler's	31-2
Scratch	31-2
Axes	
Crash	45-2
Double-Bit	45-2
Half-Hatchet	45-2
Single-Bit	45-2

B

Bars	42-1
Combination	42-2
Crowbar	42-2
Pinch	42-2
Wrecking	42-2
Bearing and Bushing Puller, Universal	41-2
Bearing Puller, Electrical Unit	41-2
Benders	40-1
Hand Tube	40-2
Electrical Conduit Hand	40-2
Spring Tube	40-2
Bevel Protractor	13-4
Blocks	53-2
Bolt and Cable Cutters	32-1
Angular Cut	32-3
Center Cut	32-2
Clipper Cut	32-2
Safety	32-4
Shear Cut, Flat Bar, and Strip	32-2
Shear Cut Cable	32-3
Side Nut Splitter	32-3
Brush-Cutting Tools	47-1
Brush Hook	47-2
Machete	47-2

C

Cable Jaw Grip	53-3
----------------------	------

<i>Subject</i>	<i>Page</i>
Calipers	6-1
Hermaphrodite	6-2
Simple	6-2
Slide	6-3
Spring-Joint	6-2
Trammels	6-4
Transfer	6-2
Vernier	6-3
Care of	
Awls	31-2
Bars	42-3
Bench Grinders	29-6
Benders	40-4
Bolt and Cable Cutters	32-5
Brush-Cutting Tools	47-3
C-Clamps	19-3
Calipers	6-5
Chisels	26-5
Chopping Tools	45-7
Climbing Tools	49-5
Digging Tools	51-5
Dividers	5-3
Electric Power Tools	52-13
Files	28-5
Gage Blocks	15-9
Gasket Cutters	44-3
Glass Cutters	33-4
Grinders and Sharpening Stones	29-6
Hammers	21-12
Hand Screw Clamps	19-3
Inserted Face Hammer	21-13
Jacks	20-7
Knives	34-4
Manual Drills	23-4
Mattocks	43-3
Micrometers	7-6
Miscellaneous Measuring Gages	16-9
Miscellaneous Measuring Tools	9-3
Miscellaneous Tools	53-7
Pipe Cutters and Threading Sets	35-6
Planes	50-4
Pliers and Tongs	17-5
Plumb Bobs	11-6
Pullers	41-5
Punches	27-6

<i>Subject</i>	<i>Page</i>
Care of (con't):	
Reamers	39-4
Ring and Snap Gages	15-9
Rules and Tapes	8-3
Saws	46-7
Scrapers	30-3
Screw and Tap Extractors	24-3
Screwdrivers	22-8
Scribers	12-3
Sharpening Stones	29-6
Shears and Nippers	37-4
Snap Gages	15-9
Squares	13-8
Surface, Height, and Depth Gages	14-5
Taps and Dies	38-7
Timber Handling Tools	48-3
Tube Cutters and Flaring Tools	36-4
Vises	18-5
Wrenches	25-18
Catapult	27-3
Chain Assembly	53-3
Chisels	26-1
Machinist's	26-2
Rivet Buster	26-2
Track	26-2
Woodworker's	26-2
Chopping Tools	45-1
Adz	45-3
Crash Ax	45-2
Double-Bit Ax	45-2
Half-Hatchet	45-2
Single-Bit Ax	45-2
Timber Wedges	45-3
Clamps	19-1
C-Clamps	19-2
Hand Screw	19-2
Clamp Pliers	25-10
Climbing Tools	49-1
Leg irons	49-2
Safety Belt	49-2
Safety Strap	49-2
Combination Bar	42-2
Crowbar	42-2
Cutter Set, Thread	38-4
Cutters, Pipe	35-2
Cutters, Tube	36-2

D

<i>Subject</i>	<i>Page</i>
Dies, Taps and	38-1
Rethreading	38-3
Round-Split Adjustable	38-4
Thread Cutter Set	38-4
Two-Piece, Collet	38-3
Digging Tools	51-1
D-Handled Shovel	51-2
Long-Handled Shovel	51-2
Posthole Auger	51-2
Posthole Digger	51-2
Disk Sander, Portable Electric	52-4
Dividers	5-1
Spring	5-2
Wing	5-2
Drill, Portable Electric	52-3
Drills, Manual	23-1
Brace	23-2
Breast	23-2
Hand	23-2

E

Electrical Power Tools	52-1
Electric Chain Saw	52-4
Electric Impact Wrench	52-3
Portable Electric Circular Saw	52-4
Portable Electric Disk Sander	52-4
Portable Electric Drill	52-3
Portable Electric Hammer	52-3
Extractors, Screw and Tap	24-1
Screw	24-2
Tap	24-2
Ear Protection	2-4
Eye Protection	2-4

F

Factors To Consider	15-8
Files	28-1
American Pattern	28-2
Curved-Tooth	28-3
Mill	28-2
Pillar	28-2
Round	28-2
Square	28-2
Swiss Pattern	28-3
Taper	28-2

<i>Subject</i>	<i>Page</i>
Three-Square	28-2
Warding	28-3
Flaring Tools	36-2
Folding Rules	8-2

G

Gages	16-1
Center	16-2
Drill	16-5
Drill Point	16-4
Fillet and Radius	16-4
Height	14-3
Marking	16-5
Micrometer Depth	14-2
Ring	15-3
Rule Depth	14-2
Screw Pitch	16-3
Small Hole Gage Set	16-3
Snap	15-3
Surface	14-2
Telescoping	16-3
Thickness (Feeler)	16-2
Thread Cutting Tool	16-4
Vernier Depth	14-3
Wire	16-4
Gage Blocks	15-4
Gaging Flat Parts	15-6
Gasket Cutters	44-1
Bit Brace Circle	44-2
Circle	44-2
Heavy Duty Bench Mount	44-2
Hollow	44-2
Glass Cutters	33-1
Circle	33-2
Wheel Type	33-2
Gloves	2-4
Grapple, Trip Wire	53-3
Grinders and Sharpening Stones	29-1
Bench	29-2
Sharpening Stones	29-3
Valve	29-2

H

Hammers	21-1
Blacksmith's or Sledge	21-3
Bumping Body	21-3

<i>Subject</i>	<i>Page</i>
Carpenter's	21-2
Dead Blow	21-7
Electric, Portable	52-3
Inserted Soft-Faced	21-5
Jeweler's	21-4
Lead or Copper	21-5
Machinist's Peen	21-2
Mason's	21-4
Napping	21-4
Riveting	21-4
Sawmaker's	21-4
Setting	21-5
Soft-Faced	21-5
Trimmers	21-6
Welder's	21-6
Hacksaw	46-4
Hatchet, Half	45-2
Helmets	2-4
Holder, Magnetic Base Indicator	9-2
How To Use A Box Wrench	25-14
How To Use Precision Gage Blocks	15-7
How To Use This Manual	1-1

I

Indicators, Speed Registering	9-3
Installation of New Handle	21-14
Introduction	1-1

J

Jacks	20-1
Hydraulic	20-3
Ratchet Lever	20-3
Screw	20-2

K

Knives	34-1
Draw	34-3
Pocket	34-2
Putty	34-3
Rubber Cutting	34-2
Saddler's	34-2
Shop	34-2

L	
<i>Subject</i>	<i>Page</i>
Leg Irons	49-2
Levels	10-1
Carpenter's	10-2
Iron Bench	10-2
Line	10-2
Machinist's	10-2
Master Precision	10-2
Striding	10-2

M	
Machete	47-2
Machine, Metal Shearing	37-2
Magnetic Base Indicator Holder	9-2
Mattocks	43-1
Single-Bevel and Double-Bevel	43-2
Pick-Mattock	43-2
Mallets	21-7
Carpenter's	21-7
Rawhide	21-7
Rubber	21-7
Tinner's	21-7
Manual Drills	23-1
Brace	23-2
Breast	23-2
Hand Drill	23-2
Mauls	21-8
Railroad Track	21-8
Wooden	21-8
Method of Filing	28-4
Draw Filing	28-4
Micrometers	7-1
Depth	7-2
Inside	7-2
Outside	7-2
Miner's Spoon	53-2
Miscellaneous Measuring Gages	16-1
Miscellaneous Measuring Tools	9-1
Adjustable Parallel	9-2
Angle Plate	9-2
Magnetic Base Indicator Holder	9-2
Registering Speed Indicators	9-2
V-Block and Clamp	9-2
Miscellaneous Tools	53-1
Blocks	53-2

<i>Subject</i>	<i>Page</i>
Brick Trowel	53-2
Cable Jaw Grip	53-3
Cement Trowel	53-2
Chain Assembly	53-3
Miner's Spoon	53-2
Tension Puller	53-3
Trip Wire Grapnel	53-3

N	
Nippers	37-2
Cutting Nippers	37-3

P	
Parts of a Hammer	21-2
Peavy	48-2
Pinch Bar	42-2
Pipe Cutting and Threading Tools	35-1
Pipe Cutters	35-2
Pipe Threading Set	35-2
Planes	50-1
Bench	50-2
Block	50-2
Plate, Surface	14-3
Pliers and Tongs	17-1
Diagonal Cutting	17-2
End Cutting	17-3
Flat-Nose	17-2
Lineman's Side Cutting	17-2
Parallel Jaw	17-2
Round-Nose	17-2
Slip-Joint	17-2
Straight-Lip Flat-Jaw Tongs	17-3
Wire Strippers (Multipurpose)	17-3
Pliers, Clamp	25-10
Plumb Bobs	11-1
Solid Steel	11-2
Surveyor's Polished Brass	11-2
Preparing the Work Surface	22-6
Protractor, Bevel	13-4
Power Tools, Electrical	52-1
Precision Gage Blocks, How To Use	15-7
Pullers	41-1
Battery Terminal and Small Gear	41-2
Cotter Pin	41-4
Cylinder Sleeve	41-3
Electrical Unit Bearing	41-2
Gear and Bearing	41-2

<i>Subject</i>	<i>Page</i>
Slide Hammer	41-4
Steering Gear Arm	41-2
Universal Bearing and Bushing	41-2
Universal Gear	41-2
Puller Sets	41-1
Push and Pull	41-3
Steering Wheel	41-3
Wheel Puller	41-3
Punches	27-1
Alignment	27-2
Catapunch	27-3
Center	27-2
Drift	27-2
Drive Pin	27-2
Grommet-Inserting	27-3
Lever	27-3
Metal Cutting	27-3
Prick	27-2
Sheet Metal	27-3
Starting	27-3
Tinmen's Hollow	27-3
Purpose	1-1

R

Reading	
Measuring Scales	3-1
Metric Caliper	6-5
Metric Micrometer	7-6
Metric Rule	3-3
Rule or Tape	3-1
Standard Micrometer	7-4
Vernier Caliper	6-4
Vernier Micrometer	7-5
Reamers	39-1
Adjustable-Blade	39-3
Expansion	39-2
Pipe	39-3
Solid Straight-Hole	39-2
Solid Taper-Pin	39-2
Registering Speed Indicators	9-2
Replacing the Handle, File	28-6
Replacing the Handle, Hammer	21-13
Ring and Snap Gages and Gage Blocks ..	15-1
Gage Blocks	15-4
Ring Gages	15-3
Snap Gages	15-3

<i>Subject</i>	<i>Page</i>
Rules and Steel Tapes	8-1
Folding Rules	8-2
Rules	8-2
Steel Tapes	8-2

S

Safety	2-1
Bars	42-2
Bolt and Cable Cutters	32-4
Brush-Cutting Tools	47-2
Chopping Tools	45-3
Climbing Tools	49-2
Digging Tools	51-3
Electrical Power Tools	52-4
Equipment	2-3
Files	28-3
Hammers, Mallets, and Mauls	21-8
Jacks	20-4
Knives	34-3
Mattocks	43-2
Miscellaneous Tools	53-4
Planes	50-2
Saws	46-4
Scrapers	30-3
Screwdrivers	22-5
Shears and Nippers	37-3
Timber Handling Tools	48-2
Wrenches	25-13
Safety Belt	49-2
Safety Belts and Safety Straps	2-4
Safety Equipment	2-3
Ear Protection	2-4
Eye Protection	2-4
Gloves	2-4
Helmets	2-4
Safety Belts and Safety Straps	2-4
Safety Shoes	2-3
Safety Rules	2-1
General	2-1
Power Tools	2-3
Safety Strap	49-2
Saws	46-1
Backsaw	46-3
Compass	46-4
Electric Chain	52-4
Hacksaw	46-4

<i>Subject</i>	<i>Page</i>
Handsaw	46-2
Keyhole	46-3
Nested	46-3
One-Man Crosscut	46-2
Portable Electric Circular	52-4
Two-Man Crosscut	46-3
Scrapers	30-1
Bearing	30-2
Box	30-2
Carbon	30-2
Flat Blade	30-2
Triangular Blade	30-2
Screwdrivers	22-1
Clutch Head	22-3
Common	22-2
Cross-Point	22-3
Cross-Tip	22-3
Flexible	22-4
Jeweler's	22-4
Offset	22-3
Radio and Pocket	22-5
Ratchet	22-4
Screwdriver Bits	22-4
Screw Starter or Gimlet	22-5
Screw and Tap Extractors	24-1
Screw	24-2
Tap	24-2
Scriber, Machinist	12-2
Selecting the Proper Micrometer	7-2
Setting, Hammer	21-5
Shears and Nippers	37-1
Cutting Nippers	37-3
Hand	37-2
Metal Shearing Machine	37-2
Nippers	37-2
Tinner's Bench	37-2
Shovels	51-1
D-Handled	51-2
Long-Handled	51-2
Spade	51-2
Spring Divider	5-2
Squares	13-1
Bevel Protractor	13-4
Carpenter's	13-2
Combination	13-3
Sliding T-Bevel	13-4
Try	13-3

<i>Subject</i>	<i>Page</i>
Steel Tapes	8-2
Stones, Sharpening	29-3
Surface, Depth, and Height Gages	14-1
Height	14-3
Micrometer Depth	14-2
Rule Depth	14-2
Surface	14-2
Surface Plate	14-3
Vernier Depth	14-3

T

Taps and Dies	38-1
Boiler Hand Taps	38-2
Bottoming Hand	38-2
Mud Hand Taps (Washout Taps)	38-3
Plug/Pipe Hand Tap	38-2
Rethreading Die	38-3
Round Split Adjustable Die	38-4
Staybolt Taps	38-3
Taper (Starting) Hand Tap	38-2
Taps	38-2
Thread Cutting Set	38-4
Two-Piece Collet Die	38-3
Tension Puller	53-3
Timber Handling Tools	48-1
Peavy	48-2
Timber Carrier	48-2
Timber Wedges	45-3
Tool Boxes	4-1
Tool, Flaring	36-2
Tool Habits	2-1
Trammels	6-4
Trowels	53-1
Brick	53-2
Cement	53-2
Tube Cutting and Flaring Tools	36-1
Flaring Tool	36-2
Tube Cutters	36-2

U

Using	
Adjustable Open-End Wrench	25-15
Adjustable Snap Gage	15-5
Adjustable Strap Pipe Wrench	25-15

<i>Subject</i>	<i>Page</i>	<i>Subject</i>	<i>Page</i>
Adz	45-5	Keyhole Saw	46-6
Alignment Punch	27-6	Level	10-3
Bearing Scraper	30-3	Lineman's Side Cutting Pliers	17-5
Bell Base Screw Jack	20-5	Long-Handled Shovel	51-3
Bench Grinder	29-3	Machinist's Ball Peen Hammer	21-12
Bench Plane	50-3	Machinist's Bench Vise	18-4
Bit Brace Circle Gasket Cutter	44-3	Machinist's Cold Chisel	26-4
Block	53-6	Machinist's Scriber	12-2
Block Plane	50-3	Marking Gages	16-9
Box Wrench	25-14	Mattock	43-2
Brace Drill	23-3	Micrometer Depth Gage	14-4
Brick Trowel	53-4	Miscellaneous Measuring Tools	9-3
Brush Hook	47-3	Offset Ratchet Screwdriver	22-7
C-Clamp	19-2	Offset Screwdriver	22-6
Cable Jaw Grip and Tension Puller	53-6	Peavy	48-2
Carpenter's Hammer	21-10	Pipe Cutter	35-2
Carpenter's Square	13-4	Pipe Threading Set	35-4
Center Cut Cutters	32-4	Pipe Vise	18-5
Center Gage	16-6	Plumb Bob	11-3
Center Punch	27-4	Portable Electric Circular Saw	52-8
Circle Gasket Cutter	44-3	Portable Electric Drill	52-5
Climbing Tools	49-3	Portable Electric Hammer	52-6
Combination Bar	42-3	Portable Electric Sander	52-12
Combination Square	13-6	Posthole Digger	51-5
Crosscut Saw	46-5	Power Torque Wrench	25-16
Cutting Nippers	37-3	Precision Gage Blocks	15-7
Diagonal Cutting Pliers	17-4	Putty Knife	34-3
Die and Die Stock	38-5	Ratchet Lever Jack	20-6
Divider	5-3	Ring Gage	15-4
Drift Punch	27-5	Rivet Buster Chisel	26-5
Drill Gage	16-8	Rules and Tapes Examples	8-3
Drill Point Gage	16-8	Rule Depth Gage	14-4
Electric Chain Saw	52-10	Scratch Awl	31-2
Electrical Conduit Hand Bender	40-4	Screwdrivers	22-5
Expansive Bit	23-4	Screw Pitch Gage	16-6
File	28-4	Sharpening Stone	29-5
Fillet and Radius Gage	16-7	Shovel, Long-Handled	51-3
Flaring Tool	36-2	Single-Bit Ax	45-4
Gage Blocks	15-8	Slide Hammer Puller Set	41-5
Gasket Cutter	44-3	Sliding T-Bevel Square	13-5
Gear and Bearing Puller	41-4	Slip-Joint Pliers	17-3
Hacksaw	46-6	Small Hole Gage	16-6
Hand Screw Clamp	19-3	Socket Wrench	25-14
Hand Tap	38-4	Solid Straight-Hole Reamer	39-3
Height Gage	14-4	Spade	51-4
Hollow Gasket Cutter	44-3	Spanner Wrench	25-18
Impact Wrench	52-7	Spiral Ratchet Screwdriver	22-7
Inserted Face Hammer	21-11	Spiral Tapered Screw Extractor	24-3
Jeweler's Screwdriver	22-8	Surface Gage	14-4

<i>Subject</i>	<i>Page</i>
Telescoping Gage	16-7
Thickness (Feeler) Gage	16-5
Thread Cutting Tool Gage	16-7
Timber Carrier	48-2
Timber Handling Tools	48-2
Timber Wedge	45-6
Torque Wrench	25-16
Try Square	13-5
Tubing Bender	40-3
Vernier Depth Gage	14-4
Wheel Type Glass Cutter	33-2
Wire Gage	16-8
Woodworker's Chisel	26-3

V

V-Block and Clamp	9-2
Vises	18-1
Bench and Pipe	18-2
Clamp Base Bench	18-2
Handsaw Filing	18-3
Machine Table	18-3
Machinists Bench	18-2
Pin	18-3
Pipe	18-2
Piston Holding	18-3

W

<i>Subject</i>	<i>Page</i>
Wing Divider	5-2
Wire Strippers (Multipurpose)	17-3
Wrecking Bar	42-2
Wrenches	25-1
Adjustable Open-End	25-10
Box	25-3
Clamp Pliers	25-10
Combination	25-4
Crowfoot	25-9
Electric Impact	52-3
Hex Key	25-9
Monkey and Auto	25-10
Open-End	25-2
Pipe	25-11
Plug	25-9
Power Torque	25-12
Special Purpose Socket	25-7
Socket	25-5
Socket Wrench Handles, Extensions and Adapters	25-6
Spanner	25-12
Torque	25-12

By Order of the Secretaries of the Army, the Navy, and the Air Force:

Official:

ROBERT M. JOYCE
Major General, United States Army
The Adjutant General

JOHN A. WICKHAM, JR.
General, United States Army
Chief of Staff

STEVEN A. WHITE
Admiral, United States Navy
Chief of Naval Material Command

Official:

JAMES P. MULLINS
General, USAF, Commander, Air Force
Logistics Command

CHARLES A. GABRIEL, *General USAF*
Chief of Staff

H. A. HATCH
Lieutenant General, USMC
Deputy Chief of Staff for Installation and Logistics

Distribution:

Active Army:

To be distributed in accordance with DA Form 12-34B requirements for TM 9 Series Ordnance, Tools and Equipment.

Marine Corps:

MARCORPS CODES E

THE METRIC SYSTEM AND EQUIVALENTS

LINEAR MEASURE

1 Centimeter = 10 Millimeters = 0.01 Meters = 0.3937 Inches
 1 Meter = 100 Centimeters = 1000 Millimeters = 39.37 Inches
 1 Kilometer = 1000 Meters = 0.621 Miles

WEIGHTS

1 Gram = 0.001 Kilograms = 1000 Milligrams = 0.035 Ounces
 1 Kilogram = 1000 Grams = 2.2 Lb
 1 Metric Ton = 1000 Kilograms = 1 Megagram = 1.1 Short Tons

LIQUID MEASURE

1 Milliliter = 0.001 Liters = 0.0338 Fluid Ounces
 1 Liter = 1000 Milliliters = 33.82 Fluid Ounces

SQUARE MEASURE

1 Sq Centimeter = 100 Sq Millimeters = 0.155 Sq Inches
 1 Sq Meter = 10,000 Sq Centimeters = 10.76 Sq Feet
 1 Sq Kilometer = 1,000,000 Sq Meters = 0.386 Sq Miles

CUBIC MEASURE

1 Cu Centimeter = 1000 Cu Millimeters = 0.06 Cu Inches
 1 Cu Meter = 1,000,000 Cu Centimeters = 35.31 Cu Feet

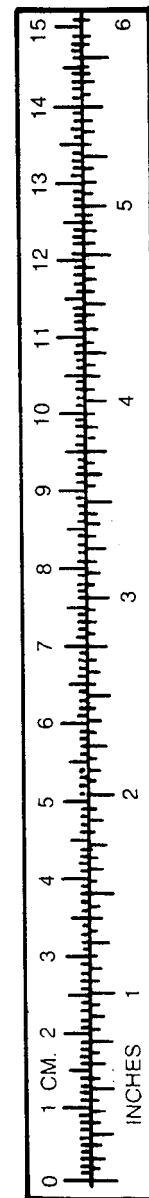
TEMPERATURE

$5/9 (°F - 32) = °C$
 122° Fahrenheit is equivalent to 50° Celsius
 90° Fahrenheit is equivalent to 32.2° Celsius
 32° Fahrenheit is equivalent to 0° Celsius
 $9/5 C° + 32 = F°$

APPROXIMATE CONVERSION FACTORS

<u>TO CHANGE</u>	<u>TO</u>	<u>MULTIPLY BY</u>
Inches	Centimeters	2.540
Feet	Meters	0.305
Yards	Meters	0.914
Miles	Kilometers	1.609
Square Inches	Square Centimeters	6.451
Square Feet	Square Meters	0.093
Square Yards	Square Meters	0.836
Square Miles	Square Kilometers	2.590
Acres	Square Hectometers	0.405
Cubic Feet	Cubic Meters	0.028
Cubic Yards	Cubic Meters	0.765
Fluid Ounces	Milliliters	29.573
Pints	Liters	0.473
Quarts	Liters	0.946
Gallons	Liters	3.785
Ounces	Grams	28.349
Pounds	Kilograms	0.454
Short Tons	Metric Tons	0.907
Pound-Feet	Newton-Meters	1.356
Pounds per Square Inch	Kilopascals	6.895
Miles per Gallon	Kilometers per Liter	0.425
Miles per Hour	Kilometers per Hour	1.609

<u>TO CHANGE</u>	<u>TO</u>	<u>MULTIPLY BY</u>
Centimeters	Inches	0.394
Meters	Feet	3.280
Meters	Yards	1.094
Kilometers	Miles	0.621
Square Centimeters	Square Inches	0.155
Square Meters	Square Feet	10.764
Square Meters	Square Yards	1.196
Square Kilometers	Square Miles	0.386
Square Hectometers	Acres	2.471
Cubic Meters	Cubic Feet	35.315
Cubic Meters	Cubic Yards	1.308
Milliliters	Fluid Ounces	0.034
Liters	Pints	2.113
Liters	Quarts	1.057
Liters	Gallons	0.264
Grams	Ounces	0.035
Kilograms	Pounds	2.205
Metric Tons	Short Tons	1.102
Newton-Meters	Pound-Feet	0.738
Kilopascals	Pounds per Square Inch	0.145
Kilometers per Liter	Miles per Gallon	2.354
Kilometers per Hour	Miles per Hour	0.621



TA089991

Assignment Questions

Information: The text pages that you are to study are provided at the beginning of the assignment questions.

ASSIGNMENT 1

Textbook Assignment: "Introduction," "Safety and Safety Equipment," "Reading Measuring Scales," "Tool Boxes," "Dividers," "Calipers," "Micrometers," "Rules and Tapes," and "Miscellaneous Measuring Tools," chapters 1 through 9, pages 1-1 through 9-3.

- 1-1. The text for this course provides which of the following information?
1. Information on the use and care of selected hand tools and measuring tools
 2. An explanation of the types and uses of a large number of tools
 3. A practical application of a selected group of tools, safety requirements, general care, and limited repair
 4. All of the above
- 1-2. In reference to the use and care of hand tools and measuring tools, which of the following statements is/are true?
1. A user must have, choose, and use the correct tools in order to do the work quickly, accurately, and safely
 2. Without the proper tools and knowledge of how to use them, the user wastes time, reduces efficiency, and may face injury
 3. Both 1 and 2 above
 4. Using tools comes naturally to most people, and formal training is not normally needed
- 1-3. You are using the text for this course and need information about a specific tool or operation. What is the easiest way to find the information?
1. Refer to the alphabetical index at the end of the manual and turn to the pages that apply
 2. Flip through the text and look for the appropriate illustrations
 3. Refer to the numerical tool index at the front of the text
 4. Refer to the tool color coding chart at the end of the text
- 1-4. The introduction to each tool chapter in the text provides which of the following information?
1. How to choose and use the tools covered
 2. The various types of tools available and an example of their use
 3. Instructions on the care of tools and safety precautions
 4. All of the above
- 1-5. What chapter in the text covers Safety and Safety Equipment?
1. One
 2. Two
 3. Three
 4. Four
- 1-6. Who is the most important part of safety procedures?
1. Your immediate supervisor
 2. The executive officer
 3. The safety officer
 4. You
- 1-7. Which of the following statements pertaining to tools is NOT true?
1. You should keep an inventory list in your tool box and check it after each job
 2. You should use each tool only on the job for which it was designed
 3. Damaged tools should be saved because they can sometimes be used for purposes other than for which they were designed
 4. A worker's efficiency is often a direct result of the condition of the tools being used

1-8. Worker's are often judged by the manner in which they handle and care for their tools. Your own efficiency will be improved if you follow which of the following steps?

1. Organize your tools so that those used most frequently can be reached easily without sorting through the entire contents of the tool box
2. Always place the most expensive tools in the bottom of tool box
3. Clean your tools at the end of the week rather than after each job
4. Store your tools on high shelves where the humidity is lower

1-9. When working with power tools, you should follow all EXCEPT which of the' following procedures?

1. Never operate any power equipment unless you are completely familiar with its controls and features
2. Never try to clear a jammed power tool until it is disconnected from the power source
3. Before connecting a power tool to a power source, be sure the tool switch is in the "ON" position
4. Check electrical cables and cords frequently for overheating

1-10. Safety shoes protect and prevent injury or loss of toes. Some safety shoes are designed to limit damage to your toes from falling objects. What is usually placed in such shoes for protection?

1. Nails
2. Rubber
3. Plastic
4. Steel plates

1-11. Proper eye protection is of the highest importance for all personnel. Eye protection is necessary because of which of the following hazards?

1. Infrared and ultraviolet radiation
2. Flying objects such as sparks, globules of molten metal, or chipped concrete and wood
3. Both 1 and 2 above
4. Audio vibrations

1-12. Protective helmets are made from which of the following materials?

1. Polyethylene
2. Polycarbonate
3. Both 1 and 2 above
4. Perineurium

1-13. Regular hard hats must be insulated so that personnel may be protected from voltages up to what maximum amount?

1. 2,200 volts
2. 3,000 volts
3. 5,000 volts
4. 9,000 volts

1-14. Electrical workers requiring head protection must wear safety helmets which are capable of withstanding what minimum voltage proof-test?

1. 10,000 volts
2. 20,000 volts
3. 30,000 volts
4. 40,000 volts

1-15. Personnel working with electricity are usually required to wear gloves made from which of the following materials?

1. Cloth
2. Leather
3. Nylon
4. Rubber

- 1-16. The more common types of rules and tapes are divided in which of the following ways?
1. Fractions, inches, and feet
 2. Inches, feet, and yards
 3. Feet, yards, and meters
 4. Inches, meters, and milliliters
- 1-17. $\frac{3}{6}$ can be reduced to which of the following fractions?
1. $\frac{1}{8}$
 2. $\frac{1}{4}$
 3. $\frac{1}{2}$
 4. $\frac{2}{3}$
- 1-18. Common tapes and rules usually are NOT graduated smaller than what fraction of an inch?
1. $\frac{1}{2}$ inch
 2. $\frac{1}{4}$ inch
 3. $\frac{1}{8}$ inch
 4. $\frac{1}{16}$ inch
- 1-19. If $\frac{1}{4}$ equals $\frac{16}{64}$, what does $\frac{3}{4}$ equal in sixty fourths?
1. $\frac{12}{64}$
 2. $\frac{24}{64}$
 3. $\frac{48}{64}$
 4. $\frac{56}{64}$
- 1-20. The metric system is based upon what multiples?
1. Multiples of 10
 2. Multiples of 20
 3. Multiples of 30
 4. Multiples of 40
- 1-21. How many millimeters are in a centimeter?
1. 10 millimeters
 2. 20 millimeters
 3. 30 millimeters
 4. 40 millimeters
- 1-22. How many centimeters are in a meter?
1. 100 centimeters
 2. 200 centimeters
 3. 300 centimeters
 4. 400 centimeters
- 1-23. Tool boxes are made from which of the following materials?
1. Steel
 2. Wood
 3. Plastic
 4. All of the above
- 1-24. Larger tools are generally contained in which of the following types of tool containers?
1. Mechanic's tool box (chest type)
 2. Portable-carpenter's tool box
 3. Cantilevered-tray tool box
 4. Canvas too bag
- 1-25. Dividers are used for which of the following purposes?
1. Spreading metal parts
 2. Measuring distances between two points
 3. Scribing an arc, radius, or circle
 4. Both 2 and 3 above
- 1-26. Spring dividers are available in which of the following lengths?
1. 2 to 4 inches
 2. 2 to 6 inches
 3. 3 to 10 inches
 4. 4 to 15 inches
- 1-27. Wing-type dividers are available in which of the following lengths?
1. 6, 8, and 12-inch lengths
 2. 3, 4, and 10-inch lengths
 3. 5, 9, and 11-inch lengths
 4. 7, 9, and 13-inch lengths
- 1-28. Calipers are used for what purpose?
1. To fasten metal parts
 2. To light torches
 3. To measure diameters
 4. To make bolt threads

- 1-29. Transfer calipers are used for what purpose?
1. Threading wire through a bulkhead
 2. Holding glued parts together
 3. Weighing nuts and bolts
 4. Measuring chamfered grooves or flanges
- 1-30. What type of caliper is used for finding shaft centers or locating shoulders?
1. A slide caliper
 2. A vernier caliper
 3. A hermaphrodite caliper
 4. An outside caliper
- 1-31. Slide calipers can be used for which of the following purposes?
1. Finding shaft centers
 2. Measuring outside dimensions
 3. Measuring inside dimensions
 4. Both 2 and 3 above
- 1-32. Which of the following types of calipers contain a straight measuring rule?
1. Transfer calipers
 2. Slide calipers
 3. Hermaphrodite calipers
 4. Spring-joint calipers
- 1-33. Which of the following instruments can be used to measure distances beyond the range of calipers?
1. Trammels
 2. Pullers
 3. Planes
 4. Taps
- 1-34. To read a vernier caliper, you must be able to understand which of the following scales?
1. Steel rule
 2. Vernier
 3. Both 1 and 2 above
 4. British thermal unit
- 1-35. On a vernier caliper, the vernier scale is divided into what number of parts?
1. 10
 2. 20
 3. 25
 4. 40
- 1-36. On a vernier caliper, what is the difference between the width of one of the 25 spaces on the vernier scale and one of the 24 spaces on the steel rule?
1. 1/1000 of an inch
 2. 2/1000 of an inch
 3. 3/1000 of an inch
 4. 4/1000 of an inch
- 1-37. On a 24-inch or 600-mm caliper, what does .300 inch equal in metric measure?
1. 1.22 mm
 2. 2.44 nun
 3. 5.66 nun
 4. 7.62 mm
- 1-38. Standard micrometers are designed to measure distances to what nearest accuracy?
1. .001 of an inch
 2. .002 of an inch
 3. .003 of an inch
 4. .004 of an inch
- 1-39. Which of the following types of micrometers is/are commonly used?
1. The outside micrometer
 2. The inside micrometer
 3. The depth micrometer
 4. All of the above
- 1-40. What is the range of an inside micrometer when used with a 1/2-inch spacer?
1. .500 of an inch
 2. .200 of an inch
 3. .300 of an inch
 4. .400 of an inch

- 1-41. The types of micrometers commonly used are designed so that the longest movement possible between the spindle and the anvil is what distance?
1. 1 inch
 2. 2 inches
 3. 3 inches
 4. 4 Inches
- 1-42. The longest movement possible between the spindle and the anvil of a micrometer is known by which of the following terms?
1. Depth
 2. Range
 3. Height
 4. Width
- 1-43. The frames of micrometers are available up to what maximum size?
1. 10 Inches
 2. 15 inches
 3. 24 inches
 4. 46 inches
- 1-44. A 6-inch micrometer will measure work between which of the following sizes?
1. From 1 to 6 inches thick
 2. From 4 to 6 inches thick
 3. Between 1 and 6 inches thick
 4. Between 5 and 6 inches thick
- 1-45. To measure a piece of stock that is approximately 3 1/4 inches, you will need a micrometer with what range?
1. 1- to 2-inch range
 2. 2- to 3-inch range
 3. 3- to 4-inch range
 4. 4- to 5-inch range
- 1-46. What does the size of a micrometer indicate?
1. The size of the largest work it will measure
 2. The size of the smallest work it will measure
 3. The total length of the micrometer
 4. The total width of the micrometer
- 1-47. A standard micrometer screw has what number of threads per inch?
1. 10
 2. 20
 3. 30
 4. 40
- 1-48. On a standard micrometer, one complete revolution of the micrometer screw will move the spindle what distance?
1. .015 inch
 2. .025 inch
 3. .125 inch
 4. .225 inch
- 1-49. Vernier micrometers are designed to measure distances to what nearest accuracy?
1. .0001 of an inch
 2. .0010 of an inch
 3. .0100 of an inch
 4. .1000 of an inch
- 1-50. On a vernier micrometer, the ten spaces on the vernier are equivalent to what number of spaces on the thimble?
1. Five
 2. Seven
 3. Nine
 4. Twelve
- 1-51. On a metric micrometer, one revolution of the spindle advances or withdraws the screw what distance?
1. 1.5 mm
 2. 1.0 mm
 3. 0.5 mm
 4. 0.1 mm

- 1-52. On a metric micrometer, how many revolutions of the spindle is required to move the barrel 1 mm?
1. One
 2. Two
 3. Three
 4. Four
- 1-53. In reference to micrometers in general, which of the following statements is true?
1. Micrometers should be coated with a light coat of oil to prevent rust
 2. All micrometers should be kept in a single container to save storage space
 3. The graduations on micrometers should be painted so they can be easily read
 4. Micrometers should be stored in areas where the humidity is very high to prevent rust
- 1-54. Which of the following is the most common measuring tool?
1. A micrometer
 2. A rule
 3. A plumb bob
 4. A level
- 1-55. Which of the following tools should be used as gages for leveling and setup work?
1. Angle plates
 2. Registering speed indicators
 3. V-blocks and clamps
 4. Adjustable parallels
- 1-56. Which of the following tools should be used for grinding, milling, or drilling purposes?
1. Angle plates
 2. Registering speed indicators
 3. V-blocks and clamps
 4. Adjustable parallels
- 1-57. Angle plates are used for which of the following purposes?
1. As gages for leveling and setup work
 2. For clamping or holding work vertically
 3. For grinding, milling, or drilling purposes
 4. To count the number of revolutions of wheels
- 1-58. Registering speed indicators are used for which of the following purposes?
1. To count the number of revolutions of shafts
 2. To regulate the flow of fluid
 3. To govern the speed of vehicles
 4. To register the speed of light
- 1-59. A magnetic base indicator assembly is attached to the work surface in what manner?
1. Bolted
 2. Glued
 3. Welded
 4. Magnetically
- 1-60. Adjustable parallels consist of what number of tapered parts?
1. One
 2. Two
 3. Three
 4. Four

ASSIGNMENT 2

Textbook Assignment: "Levels," "Plumb Bulbs," "Scribers," "Squares," "Surface, Depth, and Height Gages," "Ring and Snap Gages and Gage Blocks," "Miscellaneous Measuring Gages," "Pliers and Tongs," and "Vises," chapters 10 through 18, pages 10-1 through 18-5.

- 2-1. Levels are designed for which of the following purposes?
1. To prove whether a plane is in the true vertical or true horizontal
 2. To prove whether a surface is in the true vertical or true horizontal
 3. Both land 2 above
 4. To remove the rough spots on surfaces
- 2-2. Which of the following types of levels is used mostly in the construction industry?
1. The machinist's level
 2. The line level
 3. The iron bench level
 4. The striding level
- 2-3. What feature on a machinist's level increases its accuracy and sensitivity?
1. Its metallic coating
 2. Its extra large vial
 3. Its grooved bottom
 4. Its light weight
- 2-4. Which of the following levels has a main vial that is used to determine true horizontal, and two smaller vials that are used to determine true vertical?
1. The machinist's level
 2. The striding level
 3. The line level
 4. The master precision level
- 2-5. Which of the following levels is used to span existing cabling, piping, or similar obstructions?
1. The master precision level
 2. The iron bench level
 3. The striding level
 4. The machinist's level
- 2-6. The carpenter's level has three vials. One vial is mounted vertically and another is mounted horizontally. The third vial is mounted at what angle?
1. 35 degrees
 2. 45 degrees
 3. 55 degrees
 4. 90 degrees
- 2-7. A plumb bob is used for which of the following purposes?
1. To establish a true vertical transfer and line-up reference point
 2. To take readings or soundings in tanks or voids
 3. Both 2 and 3 above
 4. To measure the distance between two horizontal points
- 2-8. Plumb bobs are used by which of the following people?
1. Carpenters
 2. Surveyors
 3. Maintenance technicians
 4. All of the above
- 2-9. The surveyor's brass plumb bob may be either a spool type or what other type?
1. An adjustable cap type
 2. A permanent cap type
 3. A flexible cap type
 4. A reverse cap type

- 2-10. The surveyor's brass plumb bob comes with what minimum length of nylon, silk, or linen cord?
1. 2 feet
 2. 4 feet
 3. 7 feet
 4. 9 feet
- 2-11. The surveyor's brass plumb bob comes in which of the following sizes?
1. 2, 4, 6, and 8 ounce sizes
 2. 3, 5, 7, and 9 ounce sizes
 3. 1, 4, 8, and 9 ounce sizes
 4. 6, 8, 10, and 16 ounce sizes
- 2-12. Heavier plumb bobs are better for use in which of the following areas?
1. Windy areas
 2. Sandy areas
 3. Cold areas
 4. Hot areas
- 2-13. In reference to the solid steel plumb bob, which of the following statements is true?
1. It comes in 1, 3, and 10 ounce sizes
 2. The cord must be obtained from a separate source
 3. The cord comes with the plumb bob
 4. It is used when extreme accuracy is required
- 2-14. In reference to plumb bobs, which of the following statements is true?
1. Plumb bobs may be used as a lever
 2. Plumb bobs should be stored in a humid protective box
 3. Plumb bobs should be lightly coated with lubricating oil for long periods of storage
 4. Plumb bobs should receive a heavy coat of oil and should be wrapped in oil-soaked paper prior to being stored for long periods of time
- 2-15. What are the two basic types of machinist's scribers?
1. Single point pocket and bent point-straight point
 2. Straight point and bent point
 3. Rigid point and flexible point
 4. Hard point and soft point
- 2-16. The points on machinist's scribers can be protected in which of the following ways?
1. By reversing them in the handle
 2. By placing cork over the points
 3. By placing soft wood over the points
 4. All of the above
- 2-17. The carpenter's square is made up of which of the following parts?
1. The edge and skirt
 2. The blade and tongue
 3. The tongue and joint
 4. The skirt and tongue
- 2-18. What part of a carpenter's square is used to compute the number of board feet in a given piece of lumber?
1. The brace measure
 2. The rafter table
 3. The essex board measure
 4. The octagon or eight square scale
- 2-19. What part of a carpenter's square is used to find the exact lengths of common braces?
1. The essex board measure
 2. The brace measure
 3. The rafter table
 4. The tongue
- 2-20. Which of the following tools is used to check lines that are at right angles to each other?
1. A try square
 2. A flaring tool
 3. A scribe
 4. A digging tool

- 2-21. A right angle is what number of degrees?
1. 30 degrees
 2. 60 degrees
 3. 75 degrees
 4. 90 degrees
- 2-22. Which of the following tools is used for testing bevels and laying out angles?
1. A plumb bob
 2. A climbing tool
 3. A mattocks
 4. A T-bevel
- 2-23. To transfer measurements to work and to indicate the parallelism of surfaces, you should use which of the following tools?
1. A dial depth gage
 2. A vernier depth gage
 3. A surface gage
 4. A micrometer depth gage
- 2-24. Which of the following tools is used to measure the depth of holes, slots, counterbores, and recesses?
1. A snap gage
 2. A telescoping gage
 3. A two-piece collet die
 4. A rule depth gage
- 2-25. In reference to a vernier depth gage, which of the following statements is/are true?
1. It consists of a graduated scale that is either 6 or 12 inches long
 2. It has a sliding head that is designed to bridge holes and slots
 3. It cannot enter holes less than 1/4 inch in diameter
 4. All of the above
- 2-26. Which of the following tools can be used to measure the thickness of paint?
1. A dial depth gage
 2. A rule depth gage
 3. A machinist's level
 4. A master precision level
- 2-27. Height gages are normally graduated in which of the following divisions?
1. .015 inch
 2. .025 inch
 3. .500 inch
 4. .750 inch
- 2-28. In reference to a surface plate, which of the following statements is/are true?
1. A surface plate provides a true, smooth, plane surface
 2. A surface plate is often used as a level base for surface and height gages from which to make accurate measurements
 3. A surface plate is usually made of close grained cast iron and is rectangular in shape
 4. All of the above
- 2-29. In reference to ring gages, which of the following statements is true?
1. GO gages are larger than NO GO gages
 2. GO gages are smaller than NO gages
 3. GO and NO GO gages cannot be distinguished from each other
 4. GO gages and NO Go gages are always the same size
- 2-30. Which of the following gage classes indicates that the gage is precision lapped to close tolerances?
1. Class Y
 2. Class X
 3. Class Z
 4. Class ZZ

- 2-31. Which of the following gage classes is used only with ring gages?
1. Class ZZ
 2. Class Y
 3. Class Z
 4. Class X
- 2-32. The plain snap gage is made in two general types. What are the types?
1. Flat and round
 2. Square and round
 3. Adjustable and nonadjustable
 4. Fixed and flexible
- 2-33. Before an adjustable snap gage can be used, which of the following procedures must be accomplished?
1. The gage must be heated to a predetermined temperature
 2. The GO and NO GO buttons, pins, or anvils must be set to the proper dimensions
 3. The gage must be cooled to below freezing
 4. The locking screw and the adjusting screws must be removed
- 2-34. Before using gage blocks, you should take which of the following actions?
1. Remove the coat of rust preventive compound from the gage blocks
 2. Boil the gage blocks in water
 3. Freeze the gage blocks
 4. Remove the adjusting screws from the gage blocks
- 2-35. "Building gage blocks" is also known by which of the following terms?
1. Bonding them together
 2. Binding them together
 3. Wringing them together
 4. Bolting them together
- 2-36. Ordinary changes in temperature have a sizable effect on measurements made with precision gage blocks. What is the standard measuring temperature?
1. 50 degrees Fahrenheit
 2. 68 degrees Fahrenheit
 3. 68 degrees centigrade
 4. 72 degrees centigrade
- 2-37. You should NOT leave gage blocks wrung together for long periods of time for which of the following reasons?
1. The surfaces will warp
 2. The surfaces will turn blue
 3. The surfaces will tend to corrode
 4. The ends will become unbalanced
- 2-38. When using gage blocks, you must consider the source of error resulting from which of the following conditions?
1. Temperature
 2. Humidity
 3. Light
 4. Time
- 2-39. Gage blocks are used for which of the following purposes?
1. To test the outside air temperature
 2. To determine the humidity in a space
 3. To check the accuracy of tools, dies, and fixtures
 4. To test the strength of electrical wire
- 2-40. Which of the following tools can be used to verify the accuracy and wear of ring and snap gages?
1. Gage blocks
 2. Climbing tools
 3. Awls
 4. Scribes

- 2-41. You should NEVER touch the measuring surfaces of gage blocks any more than necessary. The moisture from your hands contains an acid that can cause which of the following problems?
1. The gage blocks to warp
 2. The gage blocks to stain
 3. The gage blocks to attract an electrical charge
 4. The gage blocks to become brittle
- 2-42. After cleaning gage blocks, you should always take which of the following actions?
1. Coat the gage blocks with heavy grease
 2. Boil the gage blocks in gasoline
 3. Cover the gage blocks with a film of acid-free oil
 4. Paint the gage blocks with lead-free paint
- 2-43. Thickness gages are often referred to by which of the following terms?
1. Width gages
 2. Height gages
 3. Length gages
 4. Feeler gages
- 2-44. Center gages are graduated in which of the following increments?
1. 14ths, 20ths, 24ths, and 32nds of an inch
 2. 15ths, 22nds, 26ths, and 34ths of an inch
 3. 17ths, 28ths, 30ths, and 36ths of an inch
 4. 19ths, 25ths, 29ths, and 37ths of an inch
- 2-45. You can use a screw pitch gage to check the pitch of which of the following types of threads?
1. U. S. Standard and Metric
 2. National Form and V-form
 3. Whitworth cut
 4. All of the above
- 2-46. The pitch of a screw thread is the distance between the center of one tooth to the
1. end of the screw
 2. center of the next tooth
 3. center of the screw head
 4. head of the screw
- 2-47. Telescoping gages are used for which of the following purposes?
1. To gage larger holes
 2. To measure inside distances
 3. Both 1 and 2 above
 4. To measure the lenses on telescopes
- 2-48. Telescoping gages normally have what maximum measuring capacity?
1. 3 inches
 2. 6 inches
 3. 8 inches
 4. 9 inches
- 2-49. On a thread cutting tool gage, what do the numbers represent?
1. The number of threads per inch
 2. The number of threads per foot
 3. The number of threads on a screw or bolt
 4. The length of a screw or bolt
- 2-50. Each blade of a fillet and radius gage is normally marked in which of the following increments?
1. 10ths
 2. 32nds
 3. 42nds
 4. 64ths
- 2-51. Which of the following tools is used to check the accuracy of drill cutting edges after grinding?
1. A marking gage
 2. A thickness gage
 3. A drill point gage
 4. A rule depth gage

- 2-52. A wire gage is normally what shape?
1. Square
 2. Triangular
 3. Circular
 4. Rectangular
- 2-53. Drill gages have a series of holes. The holes are marked in which of the following ways?
1. Letters
 2. Fractions
 3. Numbers
 4. All of the above
- 2-54. Marking gages are normally made from which of the following materials?
1. Copper or tin
 2. Wood or steel
 3. Plastic or glass
 4. Paper or plastic
- 2-55. Which of the following tools can be used to check the piston ring gap clearance in a cylinder bore?
1. A thickness gage
 2. A marking gage
 3. A wire gage
 4. An awl
- 2-56. Which of the following types of pliers can be used to cut small materials such as wire and cotter pins?
1. Parallel jaw
 2. Flat-nose
 3. Slip-joint
 4. Diagonal cutting
- 2-57. Which of the following types of pliers is used only for cutting?
1. Diagonal
 2. Slip-joint
 3. Round-nose
 4. Flat-nose
- 2-58. The piston holding vise is a special purpose vise which can hold engine pistons up to and including what maximum diameter?
1. 3 1/2 inches
 2. 5 1/2 inches
 3. 7 2/3 inches
 4. 9 3/8 inches
- 2-59. The pin vise is a special purpose vise which has a knurled metal handle and a chuck. It is designed to hold material from 0 to what maximum diameter?
1. 0.187 inch
 2. 0.397 inch
 3. 3.254 inches
 4. 8.134 inches
- 2-60. The handsaw filing vise is a special purpose vise used for holding handsaws while they are being sharpened. It has jaws that are normally between 9 1/2 and what maximum number of inches?
1. 5 inches
 2. 7 inches
 3. 11 inches
 4. 32 inches

ASSIGNMENT 3

Textbook Assignment: "Clamps," "Jacks," "Hammers, Mallets, and Mauls," "Screwdrivers," "Manual Drills," "Screw and Tap Extractors," "Wrenches," "Chisels," and "Punches," chapters 19 through 27, pages 19-1 through 27-6.

- 3-1. Which of the following tools are used to hold work that cannot be held in a vise, or that has to be held for extended periods of time?
1. C-clamps
 2. Chisels
 3. Calipers
 4. Reamers
- 3-2. In reference to hand screw clamps, which of the following statements is true?
1. A hand screw clamp usually is made up of three jaws
 2. A hand screw clamp should be tightened with a wrench or bar
 3. A hand screw clamp is used for holding wood while gluing
 4. A hand screw clamp is available in one size only
- 3-3. Jacks can be used for which of the following purposes?
1. For raising and lowering heavy loads
 2. For spreading and clamping operations
 3. For pushing and pulling operations
 4. All of the above
- 3-4. Which of the following tools is used for pulling parts together or pushing them apart?
1. A reamer
 2. A micrometer
 3. An outrigger jack
 4. A scriber
- 3-5. Which of the following types of hammers is used for driving and pulling nails?
1. A carpenter's hammer
 2. A ball peen hammer
 3. A bumping body hammer
 4. A cross peen hammer
- 3-6. Hammers usually come in which of the following sizes?
1. 1, 2, 4, and 6 ounce sizes
 2. 2, 3, 6, and 9 ounce sizes
 3. 6, 9, 12, and 15 ounce sizes
 4. 7, 13, 16, and 20 ounce sizes
- 3-7. Which of the following types of hammers is used for forming soft metal, peening rivet heads, and striking metal in out-of-the-way places?
1. A carpenter's hammer
 2. A ball peen hammer
 3. A claw hammer
 4. A club hammer
- 3-8. Which of the following tools would normally be used for breaking stones and concrete?
1. A ball peen hammer
 2. A bumping hammer
 3. A blacksmith's hammer
 4. A carpenter's mallet
- 3-9. An inserted soft-faced hammer that is extra hard will be what color?
1. Yellow
 2. Green
 3. Black
 4. Red

- 3-10. Which of the following tools is used to form and shape sheet metal?
1. A carpenter's hammer
 2. A tinner's mallet
 3. A jeweler's hammer
 4. A mason's hammer
- 3-11. A trimmer's hammer has a round flat face on one end of the head. What type of face is on the other end of the head?
1. A square flat face
 2. A round pointed face
 3. A tapered chisel face
 4. A curved claw face
- 3-12. What are the four basic types of dead blow hammers currently in use?
1. Standard head, slimline head, sledge, and ball peen
 2. Round head, streamline neck, curved back, and rivet face
 3. Huge, large, medium, and small
 4. Ball peen, curved back, rivet face, and round head
- 3-13. Which of the following types of mallets is made by tightly wrapping and staking a sheet of leather?
1. A carpenter's mallet
 2. A rubber mallet
 3. A tinner's mallet
 4. A rawhide mallet
- 3-14. Cross-point screwdrivers normally come in which of the following sizes?
1. 2 to 4 inch sizes
 2. 3 to 8 inch sizes
 3. 4 to 12 inch sizes
 4. 9 to 16 inch sizes
- 3-15. Which of the following types of screwdrivers should you use to drive or remove screws that cannot be lined up straight with common screwdrivers, or are located in tight corners?
1. Cross-point
 2. Cross-tip
 3. Ratchet
 4. Offset
- 3-16. Which of the following tools is used to make a pilot hole in wood for wood screws?
1. A cross-point screwdriver
 2. A flexible screwdriver
 3. A screw starter or gimlet
 4. A two-piece collet die
- 3-17. Which of the following types of drills is made up of a head, crank, crank handle, ratchet mechanism, and chuck?
1. A hand drill
 2. A breast drill
 3. A brace drill
 4. An electric drill
- 3-18. Which of the following tools are used to remove broken screws without damaging the threads or surrounding material?
1. Screw extractors
 2. Plumb bobs
 3. Chisels
 4. Scribers
- 3-19. Which of the following types of wrenches has a long smooth shank providing the user with a better gripping surface and is used to reach behind or below blind surfaces?
1. A box wrench
 2. A plug wrench
 3. A torque wrench
 4. An engineer's single open-end wrench
- 3-20. Box wrenches surround the nuts, bolt heads, or studs on all sides. They are available with which of the following point openings?
1. 6-point openings
 2. 12-point openings
 3. Both 1 and 2 above
 4. 29-point openings

- 3-21. In reference to ignition wrenches, which of the following statements is true?
1. Ignition wrenches are usually very large in size
 2. Ignition wrenches usually have the same size jaw opening on both ends
 3. Ignition wrenches are usually used to remove lug nuts from wheels of vehicles
 4. Ignition wrenches are usually offset 10 degrees on each end
- 3-22. Which of the following types of wrenches combines the open-end jaw with a long tapered shank providing a wrench/alignment punch combination?
1. A construction wrench
 2. An ignition wrench
 3. An open end wrench
 4. A box wrench
- 3-23. Wrenches are usually made from which of the following materials?
1. Plastic
 2. Copper
 3. Tin
 4. Steel alloy
- 3-24. Which of the following types of wrenches is used in the building trades and on heavy objects that require alignment before fastening?
1. An open-end wrench
 2. A box wrench
 3. A combination wrench
 4. A construction wrench
- 3-25. In reference to box wrenches, which of the following statements is/are true?
1. Box wrenches are offset from the shank by 15 degrees
 2. The 12-point opening on a box wrench may be used on both square and hexagonal bolt heads
 3. The length of a box wrench depends upon the size of their opening
 4. All of the above
- 3-26. Which of the following types of wrenches does NOT have to be lifted up and repositioned each time the shank has reached its maximum travel between two obstructions?
1. An engineer's single open-end wrench
 2. A ratchet-box wrench
 3. An ignition wrench
 4. A combination wrench
- 3-27. In reference to socket wrenches, which of the following statements is/are true?
1. A socket wrench consists of a square metal sleeve with a round opening in one end for insertion of a handle
 2. The length of a socket determines its size
 3. The drive end of a socket may vary in size from 1/4 to 1 inch
 4. All of the above
- 3-28. Which of the following tools is used when it is necessary to reach around an object?
1. A universal joint socket
 2. A plumb bob
 3. A micrometer
 4. A bevel protractor
- 3-29. Which of the following tools is used for increased leverage or for working around other objects?
1. A ratcheting adapter
 2. A sliding T-Bar handle
 3. A crowfoot wrench
 4. A wedge-type stud remover
- 3-30. Which of the following tools is used to change the drive size between a socket and a handle?
1. A ratcheting adapter
 2. A socket wrench adapter
 3. A sliding T-Bar
 4. A hinged handle

- 3-31. Which of the following tools is used to convert a non-ratcheting socket wrench handle into a ratchet drive?
1. A ratcheting adapter
 2. A socket wrench adapter
 3. A socket wrench extension
 4. A sliding T-Bar handle
- 3-32. Which of the following tools is usually used to remove or install vehicle wheel stud nuts?
1. A sliding T-Bar handle
 2. A combination wrench
 3. A four-way socket wrench
 4. An open-end wrench
- 3-33. In reference to stud removers, which of the following statements is true?
1. Some stud removers can be adjusted to remove different size studs
 2. Most stud removers are electrically driven
 3. There is only one type of stud remover
 4. Stud removers are usually used to remove tiny screws from sensitive instruments
- 3-34. Hex key wrenches are usually what shape?
1. T-shaped
 2. Circular-shaped
 3. Square-shaped
 4. L-shaped
- 3-35. Plug wrenches usually come in which of the following types?
1. Bar-type
 2. Socket-type
 3. Multiple plug wrench
 4. All of the above
- 3-36. Which of the following tools is used to remove or install drain plugs?
1. A crowfoot wrench
 2. A T-Bar handle
 3. A box wrench
 4. A plug wrench
- 3-37. Which of the following tools should be used to remove nuts and bolts that have been rounded off by someone using the wrong size wrench?
1. A box wrench
 2. Clamp pliers
 3. A torque wrench
 4. Wire cutters
- 3-38. Which of the following tools should NOT be used to install new nuts or bolts?
1. A combination wrench
 2. A box wrench
 3. Clamp pliers
 4. A socket wrench
- 3-39. Which of the following tools is designed to measure the specific degree of tightness of nuts or bolts?
1. A torque wrench
 2. An open end wrench
 3. A pipe wrench
 4. A reamer
- 3-40. The stillson wrench, the strap wrench, and the chain wrench come under what general category of wrenches?
1. Combination wrench
 2. Torque wrench
 3. Pipe wrench
 4. Box wrench
- 3-41. Which of the following wrenches are similar?
1. Torque and pipe wrenches
 2. Monkey and auto wrenches
 3. Strap and spanner wrenches
 4. crowfoot and plug wrenches
- 3-42. A power torque wrench is operated by the use of what type of power?
1. Hydraulic
 2. Electrical
 3. Magnetic
 4. Manual

- 3-43. Which of the following types of wrenches is used to tighten nuts and bolts requiring 200 or more foot pounds of torque?
1. A spanner wrench
 2. A plug wrench
 3. A box wrench
 4. A power torque wrench
- 3-44. What are the two basic types of spanner wrenches?
1. The hook-type and the pin-type
 2. The round-face type and the square-face type
 3. The adjustable-type and the fixed-type
 4. The flexible-type and the rigid-type
- 3-45. The straps on strap pipe wrenches are usually made from which of the following materials?
1. Rubber
 2. Canvas
 3. Leather
 4. Both 2 and 3 above
- 3-46. Which of the following wrenches has one fixed jaw and one adjustable jaw?
1. An adjustable open-end wrench
 2. A multiple plug wrench
 3. A combination wrench
 4. A box wrench
- 3-47. A wedge-type stud removers is normally made of a socket housing and a total of how many wedges
1. Five
 2. Two
 3. Three
 4. Four
- 3-48. Socket wrench extensions usually range from 2 inches to what maximum length?
1. 10 inches
 2. 13 inches
 3. 17 inches
 4. 36 inches
- 3-49. Which of the following tools is a precision instrument?
1. A strap wrench
 2. A torque wrench
 3. A bolt cutter
 4. A box wrench
- 3-50. An S-shaped open end wrench is normally offset what number of degrees?
1. 22 1/2 degrees
 2. 15 1/4 degrees
 3. 12 2/3 degrees
 4. 10 3/4 degrees
- 3-51. Which of the following tools should you use to cut holes in flat stock and to cut V-groves?
1. A center punch
 2. A staybolt tap
 3. A diamond point chisel
 4. A thread cutting tool
- 3-52. Which of the following types of chisels has a beveled point on one edge, a flat face on the other end, is 10-1/2 inches long, and weighs 5-1/2 pounds?
1. A rivet buster chisel
 2. A machinist's chisel
 3. A track chisel
 4. A woodworker's chisel
- 3-53. In reference to a woodworker's chisel, which of the following statements is true?
1. Rough cuts should be made with the bevel side up
 2. Smooth finishing cuts should be made with the bevel side down
 3. Cuts should always be made away from the person doing the cutting
 4. Both hands of the person doing the cutting should be in front of the cutting edge at all times

3-54. Woodworker's chisels come in which of the following types?

1. Rivet-buster type
2. Socket-type
3. Tang-type
4. Both 2 and 3 above

3-55. Which of the following tools is used to mark centers on metal or wood without the use of a hammer?

1. A catapunch
2. A micrometer
3. A gage block
4. A gimlet

3-56. What are the two general types of center punches?

1. Hand-held and automatic
2. Wedge-shape and circular
3. Spindle and bevel
4. Iron and copper

3-57. Which of the following tools is used to mark soft metal?

1. A tinmen's hollow punch
2. A prick punch
3. A lever punch
4. A fillet

3-58. The tinmen's hollow punch has a solid metal shank terminating in a sharpened, hollowed end. This type of punch is used for which of the following purposes?

1. To remove bolts
2. To mark rivets
3. To punch holes through thin sheet metal
4. To align sections of tin

3-59. Which of the following tools is used to form the flange on grommets which are installed along the edges of flags, sails, mail bags, and similar items?

1. A catapunch
2. A grommet-inserting punch
3. A mason's hammer
4. A scribber

3-60. Which of the following tools should you use to punch small round holes near the edges of metal or leather material?

1. A lever punch
2. A catapunch
3. A prick punch
4. A reamer

ASSIGNMENT 4

Textbook Assignment: "Files," "Grinders and Sharpening Stones," "Scrapers," "Awls," "Bolt and Cable Cutters," "Glass Cutters," "Knives," "Pipe Cutting and Threading Tools," "Tube Cutting and Flaring Tools," "Shears and Nippers," "Taps and Dies," "Reamers," and "Benders," chapters 28 through 40, pages 28-1 through 40-4.

- 4-1. The point, edge, face, heel, and tang are the five parts of which of the following tools?
1. A file
 2. A screwdriver
 3. A torque wrench
 4. A machinist's chisel
- 4-2. Curved-tooth files are cut in a contour across the face and are used to smooth which of the following surfaces?
1. Aluminum and bronze
 2. Lead and babbitt
 3. Zinc and plastics
 4. All of the above
- 4-3. A file used for heavier work will have which of the following grades of coarseness?
1. Second-cut
 2. Smooth-cut
 3. Bastard-cut
 4. Dead smooth-cut
- 4-4. Which of the following types of files are used to file in slots and keyways?
1. Three-square files
 2. Curved-tooth files
 3. Pillar files
 4. Round files
- 4-5. Which of the following types of files are used to file rectangular slots and keyways?
1. Curved-tooth files
 2. Three-square files
 3. Warding files
 4. Square files
- 4-6. Which of the following types of files should you use to file internal angles and to clean out square corners?
1. A round file
 2. A three-square file
 3. A curved-tooth file
 4. A mill file
- 4-7. Which of the following types of files are made to more exact measurements than American files and are used primarily as finishing tools on delicate parts?
1. Three-square files
 2. Swiss pattern files
 3. Pillar files
 4. Round files
- 4-8. When filing soft metal, you should start with a second-cut file and finish with which of the following files?
1. A smooth-cut file
 2. A course double-cut file
 3. A bastard-cut file
 4. A standard-cut curved-tooth file
- 4-9. When using a new file, what will happen if you apply too much pressure?
1. The file will become brittle
 2. The filing surface will turn blue
 3. The teeth on the file will break off
 4. The file will become soft

- 4-10. When filing brass or bronze, you should start with which of the following files?
1. A second-cut file
 2. A smooth-cut file
 3. A course double-cut file
 4. A bastard-file
- 4-11. Which of the following tools consists of an abrasive wheel mounted on a rotatable shaft?
1. A rethreading die
 2. A grinder
 3. A tap extractor
 4. A ring gage
- 4-12. For reshaping and sharpening chisels, drills, and hatchets, you should use which of the following tools?
1. A bench grinder
 2. An iron bench level
 3. A jeweler's hammer
 4. A two-piece collet die
- 4-13. Before using a bench grinder, you should tap the wheel lightly with a mallet. What is indicated if you get a ringing sound?
1. The wheel is cracked
 2. The wheel is satisfactory
 3. The wheel has oil on it
 4. The wheel is out of alignment
- 4-14. Which of the following types of scrapers is used to clean cylinder heads?
1. A carbon scraper
 2. A bearing scraper
 3. A box scraper
 4. A triangular blade scraper
- 4-15. To scrape stencil markings from wood surfaces, you should use which of the following tools?
1. A bearing scraper
 2. A bench grinder
 3. A round file
 4. A box scraper
- 4-16. Which of the following tools are used to punch holes in leather and as an aid during sewing?
1. Round-nose pliers
 2. Telescoping gages
 3. Saddler's awls
 4. Trammels
- 4-17. Which of the following tools should you use to scribe marks or as a center punch on soft wood and plastics?
1. A scratch awl
 2. A mattock
 3. A ring gage
 4. A staybolt tap
- 4-18. Which of the following tools are considered security items and should be secured when not in use?
1. Open-end wrenches
 2. Jeweler's hammers
 3. Master precision levels
 4. Bolt cutters
- 4-19. In reference to a center cut cutter, which of the following statements is true?
1. The shorter the handle, the greater the cutting capacity
 2. The handles range from 3 to 9 inches in length
 3. The cutting edges are in the center of the jaw between equal levels
 4. It is used to cut hard steel only
- 4-20. Which of the following tools are used to cut lead and rubber-covered cable?
1. Machinist's scribers
 2. Shear cut cable cutters
 3. Mattocks
 4. Clamp pliers

- 4-21. Angular cut cutters have the cutting edges offset what number of degrees from the handles?
1. 10 degrees
 2. 20 degrees
 3. 30 degrees
 4. 40 degrees
- 4-22. Shear cut, flat bar, and strip cutters are used to cut which of the following stock?
1. Flat-soft stock
 2. Medium-hard bar stock
 3. Strip stock
 4. All of the above
- 4-23. Which of the following tools is used to make straight cuts on glass?
1. A circle glass cutter
 2. A pillar file
 3. A wheel glass cutter
 4. A track chisel
- 4-24. Which of the following tools is used to cut wallboard, paper, cardboard, linoleum, canvas, and upholstery materials?
1. A shop knife
 2. A saddler's knife
 3. A scribe
 4. A scratch awl
- 4-25. Which of the following tools should you use to smooth wood after chopping with a hatchet or axe?
1. A putty knife
 2. A draw knife
 3. A wooden maul
 4. A carpenter's hammer
- 4-26. There are two sizes of pipe cutters. One size can cut from 1/8 to 2 inches, while the other can cut from 2 to what maximum number of inches?
1. 8 inches
 2. 6 inches
 3. 5 inches
 4. 4 inches
- 4-27. Pipe cutters can be used to cut which of the following materials?
1. Steel and brass only
 2. Copper and wrought iron only
 3. Lead only
 4. Steel, brass, copper, wrought iron, and lead
- 4-28. To protect you from getting cut on the sharp ends, pipe often comes with which of the following items?
1. Wooden plugs
 2. Rubber plugs
 3. Protective caps
 4. Plastic inserts
- 4-29. Threading sets should be stored in which of the following containers?
1. A case
 2. A box
 3. Either 1 or 2 above
 4. A tool box
- 4-30. Tube cutters are usually designed to cut tubing up to what maximum size?
1. 1 inch
 2. 2 5/8 inches
 3. 3 1/2 inches
 4. 4 inches
- 4-31. What are the two basic types of flaring tools?
1. Hard and soft
 2. Single and double
 3. Long and short
 4. Soft and brittle
- 4-32. Which of the following tools are used to cut wire, light metal bars, bolts, nails, and protruding metal?
1. Cutting nippers
 2. Wire strippers
 3. Flat-nose pliers
 4. Center cut cutters

- 4-33. Which of the following tools are used to cut heavy sheet metal?
1. Nippers
 2. Clamp pliers
 3. Slip-joint pliers
 4. Tinner's bench shears
- 4-34. A metal shearing machine is normally operated by which of the following sources of power?
1. Electrical
 2. Hydraulic
 3. Foot
 4. Magnetic
- 4-35. The shear blades on metal shearing machines are normally what length?
1. 36 inches
 2. 42 inches
 3. 51 inches
 4. 73 inches
- 4-36. Metal shearing machines will normally cut iron up to what maximum thickness?
1. 1/2 inch
 2. 1/8 inch
 3. 1/16 inch
 4. 1/32 inch
- 4-37. Cutting nippers normally come in what maximum length?
1. 10 inches
 2. 12 inches
 3. 14 inches
 4. 15 inches
- 4-38. Taps are used for which of the following purposes?
1. For cutting external threads
 2. For bending or shaping metal
 3. For cutting internal threads
 4. For removing rust from cylinder heads
- 4-39. Dies are used for which of the following purposes?
1. For cutting internal threads
 2. For removing paint from metal parts
 3. For sealing containers
 4. For cutting external threads
- 4-40. Taps are made from which of the following materials?
1. Hardened steel
 2. Plastic
 3. Copper
 4. Leather
- 4-41. Which of the following tools is used to start tapping operations?
1. A taper hand tap
 2. A rethreading die
 3. A scratch awl
 4. A three-square file
- 4-42. Pipe taps have tapered diameters that increase at what rate?
1. 1/2 inch per foot
 2. 3/4 inch per foot
 3. 7/8 inch per foot
 4. 1 inch per foot
- 4-43. What are the two types of boiler taps?
1. Bent and straight
 2. Straight and tapered
 3. Round and square
 4. Hard and soft
- 4-44. Straight boiler taps range in size from 1/2 inch to what maximum diameter?
1. 1 1/2 inch
 2. 2 3/4 inches
 3. 3 1/4 inches
 4. 4 3/8 inches
- 4-45. A mud or washout tap has what total number of flutes?
1. Six
 2. Eight
 3. Ten
 4. Twelve

- 4-46. Which of the following tools are used in boiler, locomotive, and railroad shops for tapping holes in the outer and inner plates of boilers?
1. Breast drills
 2. Precision gage blocks
 3. Staybolt taps
 4. Vernier calipers
- 4-47. Rethreading dies are used for which of the following purposes?
1. To start tapping operations
 2. To restore bruised or rusty threads on screws and bolts
 3. To remove threads from screws and bolts
 4. To make threads on the inside of nuts
- 4-48. The two-piece collet die consists of two die sections. What are the two sections called?
1. The collet nut and collet bolt
 2. The collet screw and collet washer
 3. The collet groove and collet ridge
 4. The collet cap and collet guide
- 4-49. The mud or washout tap has a total of how many threads per inch?
1. 12 threads per inch
 2. 15 threads per inch
 3. 18 threads per inch
 4. 20 threads per inch
- 4-50. Tapered boiler taps have tapered diameters that increase at what rate?
1. 1/8 inch per foot
 2. 1/4 inch per foot
 3. 1/2 inch per foot
 4. 3/4 inch per foot
- 4-51. Thread cutter sets contain which of the following items?
1. Taps, dies, and diestocks
 2. Tap wrenches, guides, and screwdrivers
 3. Wrenches for making adjustments
 4. All of the above
- 4-52. To enlarge and true a hole, you should use which of the following tools?
1. A scribe
 2. A vernier caliper
 3. A reamer
 4. A jeweler's hammer
- 4-53. What are the three parts of a reamer?
1. Body, stem, and flange
 2. Body, shank, and blades
 3. Blades, flange, and rim
 4. Shank, flange, and wheel
- 4-54. Where can you find the size of a reamer?
1. Stamped on the shank of the tool
 2. Stamped between the blades of the tool
 3. Painted on the body of the tool
 4. Scribed on the body of the tool
- 4-55. Solid taper-pin reamers are made with what standard taper?
1. 3/4 inch per foot
 2. 1/2 inch per foot
 3. 1/4 inch per foot
 4. 1/8 inch per foot
- 4-56. An expansion reamer is made from which of the following materials?
1. Plastic
 2. Carbon steel
 3. Copper
 4. Lead
- 4-57. Solid taper-pin reamers come with which of the following types of flutes?
1. Straight flutes only
 2. Spiral flutes only
 3. Straight and spiral flutes
 4. Square flutes

4-58. Pipe reamers come in which of the following sizes?

1. 1/8-inch to 1-inch pipe capacity
2. 1/4-inch to 1 1/4-inch pipe capacity
3. 1/4-inch to 2-inch pipe capacity
4. All of the above

4-59. What are the two types of spring tube benders?

1. External and internal
2. Plastic and steel
3. Round and square
4. Rigid and flexible

4-60. The radius block of a hand tube bender is graduated from 0 to what maximum number of degrees?

1. 120 degrees
2. 180 degrees
3. 240 degrees
4. 370 degrees

ASSIGNMENT 5

Textbook Assignment: "Pullers," "Bars," "Mattocks," "Gasket Cutters," "Chopping Tools," "Saws," "Brushcutting Tools," "Timber and Handling Tools," "Climbing Tools," "Planes," "Digging Tools," "Electrical Power Tools," and "Miscellaneous Tools," chapters, 41 through 53. pages 41-1 through 53-7.

- 5-1. The universal gear puller is usually of yoke and screw construction. The jaws have what diameter capacity?
1. 0 to 10 inches
 2. 0 to 14 inches
 3. 5 to 20 inches
 4. 6 to 18 inches
- 5-2. The universal gear puller is used for pulling which of the following items?
1. Gears
 2. Pulleys
 3. Wheels
 4. All of the above
- 5-3. The gear and bearing puller will spread what maximum distance?
1. 2 1/2 inches
 2. 3 1/4 inches
 3. 5 1/2 inches
 4. 7 3/8 inches
- 5-4. The gear and bearing puller is a screw-type puller with a total of how many jaws?
1. One
 2. Two
 3. Three
 4. Four
- 5-5. The universal bearing and bushing puller provides a pulling capacity of up to what maximum distance?
1. 1 1/4 inches
 2. 2 1/8 inches
 3. 3 3/4 inches
 4. 4 1/4 inches
- 5-6. Which of the following pullers has interchangeable jaws?
1. The steering gear arm puller
 2. The battery terminal and small gear puller
 3. Both 1 and 2 above
 4. The universal bearing and bushing puller
- 5-7. What is the shape of a cotter pin puller?
1. Oval-shaped
 2. T-shaped
 3. S-shaped
 4. Square-shaped
- 5-8. Which of the following tools is used to pull large nails or spikes, to open heavy crates, and to do wrecking work?
1. A crowbar
 2. A dead blow hammer
 3. A lever punch
 4. A wrecking bar
- 5-9. A pinch bar is usually used for which of the following purposes?
1. For heavy ripping and prying jobs
 2. For light ripping and prying jobs
 3. For pulling large nails or spikes
 4. For repairing computer components
- 5-10. Bars usually come in which of the following lengths?
1. From 12 to 72 inches
 2. From 14 to 76 inches
 3. From 18 to 80 inches
 4. From 24 to 96 inches

- 5-11. Which of the following tools is designed for digging and cutting operations?
1. A mattock
 2. A peavy
 3. A timber wedge
 4. A block plane
- 5-12. The single-beveled mattock can be combined with other digging tools to perform a variety of functions. The "pick mattock" is a combination of the single-beveled mattock and what other tool?
1. A shovel
 2. A screwdriver
 3. A pick
 4. A hammer
- 5-13. The raw wood handles of mattocks should be rubbed thoroughly (preferably prior to use) with a cloth soaked in which of the following liquids?
1. Water
 2. Gasoline
 3. Alcohol
 4. Linseed oil
- 5-14. On a compass-style circle gasket cutter, what is used to adjust the diameter?
1. A hammer
 2. A knurled thumb screw
 3. A straight slot screwdriver
 4. A round split adjustable die
- 5-15. A bit brace circle gasket cutter can be adjusted to what maximum diameter?
1. 1 1/4 inches
 2. 2 1/8 inches
 3. 5 1/2 inches
 4. 9 3/4 inches
- 5-16. What is used to adjust the diameter of a bit brace circle gasket cutter?
1. A hex wrench
 2. A straight slot screwdriver
 3. An open-end wrench
 4. A machinist's level
- 5-17. A hollow gasket cutter is also referred to by which of the following terms?
1. A solid punch
 2. A square punch
 3. A hard punch
 4. A hollow punch
- 5-18. Which of the following types of gasket cutters has a tapered square shank?
1. A compass-style circle gasket cutter
 2. A bit brace circle gasket cutter
 3. A heavy duty bench mount gasket cutter
 4. A hollow gasket cutter
- 5-19. Which of the following tools is used by emergency personnel to gain quick access to an area?
1. An adz
 2. A timber wedge
 3. A crash ax
 4. A nested saw
- 5-20. Which of the following tools is used for chopping and smoothing lumber or logs where a great deal of wood or bark is to be removed?
1. An adz
 2. A timber wedge
 3. A half-hatchet
 4. A woodworker's chisel
- 5-21. Timber wedges are normally made from what material?
1. Plastic
 2. Copper
 3. Glass
 4. Steel
- 5-22. What are the two categories of handsaws?
1. Crosscut and nested
 2. Keyhole and hacksaw
 3. Ripsaw and crosscut
 4. Drag and push

- 5-23. In reference to handsaws, which of the following statements is/are true?
1. Crosscut saws are designed to cut against the grain
 2. Ripsaws are designed to cut with the grain
 3. Both 1 and 2 above
 4. Crosscut saws consist of a thick blade with a steel handle
- 5-24. Which of the following saws should you use to cut down a tree?
1. A backsaw
 2. A one-man crosscut saw
 3. A keyhole saw
 4. A nested saw
- 5-25. When two men are required for extra heavy cutting jobs, which of the following saws should be used?
1. A two-man crosscut saw
 2. A backsaw
 3. A nested saw
 4. A compass saw
- 5-26. What is the smallest type of nested saw?
1. The backsaw
 2. The keyhole saw
 3. The handsaw
 4. The hacksaw
- 5-27. What types of blades are used on hacksaws?
1. Flexible and soft
 2. Hard and rigid
 3. Rigid and soft
 4. Hard and flexible
- 5-28. Which of the following saws is designed to cut metal?
1. A hacksaw
 2. A handsaw
 3. A one-man crosscut saw
 4. A two-man crosscut saw
- 5-29. Which of the following tools is/are used for cutting underbrush, shrubs, tree branches, vines, and tall grass?
1. A nested saw
 2. A brush hook
 3. A machete
 4. Both 2 and 3 above
- 5-30. The machete used in the military is normally what size?
1. 10 inches
 2. 15 inches
 3. 18 inches
 4. 30 inches
- 5-31. For lifting or moving heavy objects such as logs or timbers, you should use which of the following tools?
1. A mattock
 2. A timber carrier
 3. A peavy
 4. Either 2 or 3 above
- 5-32. Which of the following tools are used for climbing poles and trees?
1. Safety straps
 2. Safety belts
 3. Leg irons with spurs
 4. All of the above
- 5-33. What are the two types of planes most generally used?
1. Block and tackle
 2. Block and bench
 3. Bench and circular
 4. Square and round
- 5-34. What is the smallest type of plane?
1. Block
 2. Tackle
 3. Bench
 4. Square
- 5-35. The cutting blade on a jack plane is set at approximately what angle?
1. 15 degrees
 2. 25 degrees
 3. 45 degrees
 4. 90 degrees

- 5-36. What feature on a block plane is used when additional pressure is needed?
1. A hand hold
 2. A toe knob
 3. A pressure lever
 4. A spring adjustment
- 5-37. When not in use, a plane should be placed in what position?
1. On its side
 2. On its cutting edge
 3. On its handle
 4. On its front end
- 5-38. Which of the following tools is used to bore holes in the ground for posts, poles, and explosive charges?
1. A trowel
 2. A machete
 3. A plumb bob
 4. An auger
- 5-39. Which of the following tools is used for heavy digging or in confined areas?
1. A peavy
 2. A brush hook
 3. A spade
 4. An adz
- 5-40. Basically, what is a portable electric drill?
1. An metal motor in an electric housing
 2. A pneumatic motor in a plastic housing
 3. A hydraulic motor in a brass housing
 4. An electric motor in a metal housing
- 5-41. A portable electrical drill can be used for which of the following purposes?
1. Drilling
 2. Sanding and sawing
 3. Buffing and polishing
 4. All of the above
- 5-42. Which of the following tools should be used to remove nuts, bolts, and screws?
1. A portable electric hammer
 2. An electric impact wrench
 3. A saddler's awl
 4. A sledge hammer
- 5-43. Standard sockets should NOT be used with impact tools for which of the following reasons?
1. The can shatter causing serious injury to personnel
 2. They can damage the impact tools
 3. Both 2 and 3 above
 4. They are too expensive
- 5-44. Before drilling a hole, you should make a small prick point in the spot where the hole will be made. Which of the following tools should you use for this purpose?
1. A punch only
 2. An awl only
 3. A punch *or* an awl
 4. A scriber
- 5-45. You should always wear ear protection when operating which of the following tools?
1. An electric hammer
 2. A compass saw
 3. A power torque wrench
 4. All of the above
- 5-46. When using a portable electric hammer, which of the following actions should you take to prevent unnecessary wear of the precision parts?
1. Use only light hand pressure
 2. Place the bit against the work surface before operating the switch
 3. Both 2 and 3 above
 4. Place an insulating board between the electric hammer and the work

- 5-47. What type of power is used to drive an electric chain saw?
1. Manual
 2. Hydraulic
 3. Pneumatic
 4. Electric
- 5-48. When using a portable electric circular saw, you must ensure the saw blade is revolving at what speed before it contacts the work surface?
1. 1/4 speed
 2. 1/2 speed
 3. 3/4 speed
 4. Full speed
- 5-49. When operating a portable electric sander, which of the following problems will occur if you use excessive pressure?
1. The sanding action will take longer
 2. The disk will clog
 3. The motor will overheat
 4. All of the above
- 5-50. A cement trowel is normally what shape?
1. Rectangular
 2. Circular
 3. Triangular
 4. Square
- 5-51. Which of the following tools should you use to scoop and spread mortar?
1. A brick trowel
 2. A cement trowel
 3. A flat blade scraper
 4. A triangular blade scraper
- 5-52. Which of the following tools is used to lift material out of narrow deep holes?
1. A cable jaw grip
 2. A miner's spoon
 3. A scribe
 4. A brush hook
- 5-53. Which of the following tools is used to tighten or stretch wires or cables?
1. A cable jaw grip
 2. A trip wire grapnel
 3. A miner's spoon
 4. A chain pipe wrench
- 5-54. Which of the following items is used for towing vehicles, slinging loads, and hauling objects?
1. A trip wire grapnel
 2. A cable jaw grip
 3. A chain assembly
 4. A tension puller
- 5-55. Which of the following tools is used to find booby traps and to detonate mines?
1. A miner's spoon
 2. A trip wire grapnel
 3. A spade
 4. A combination bar

