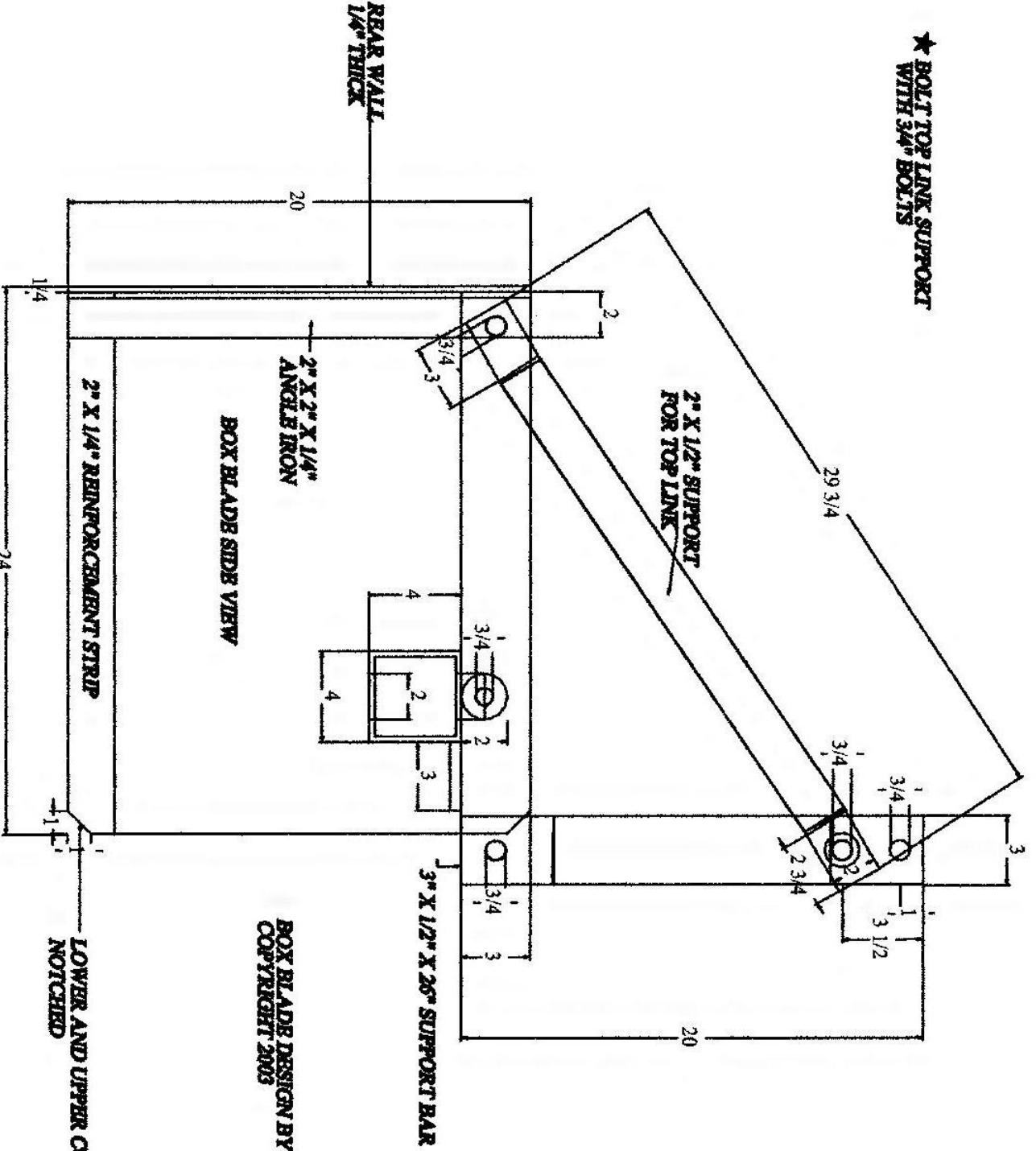
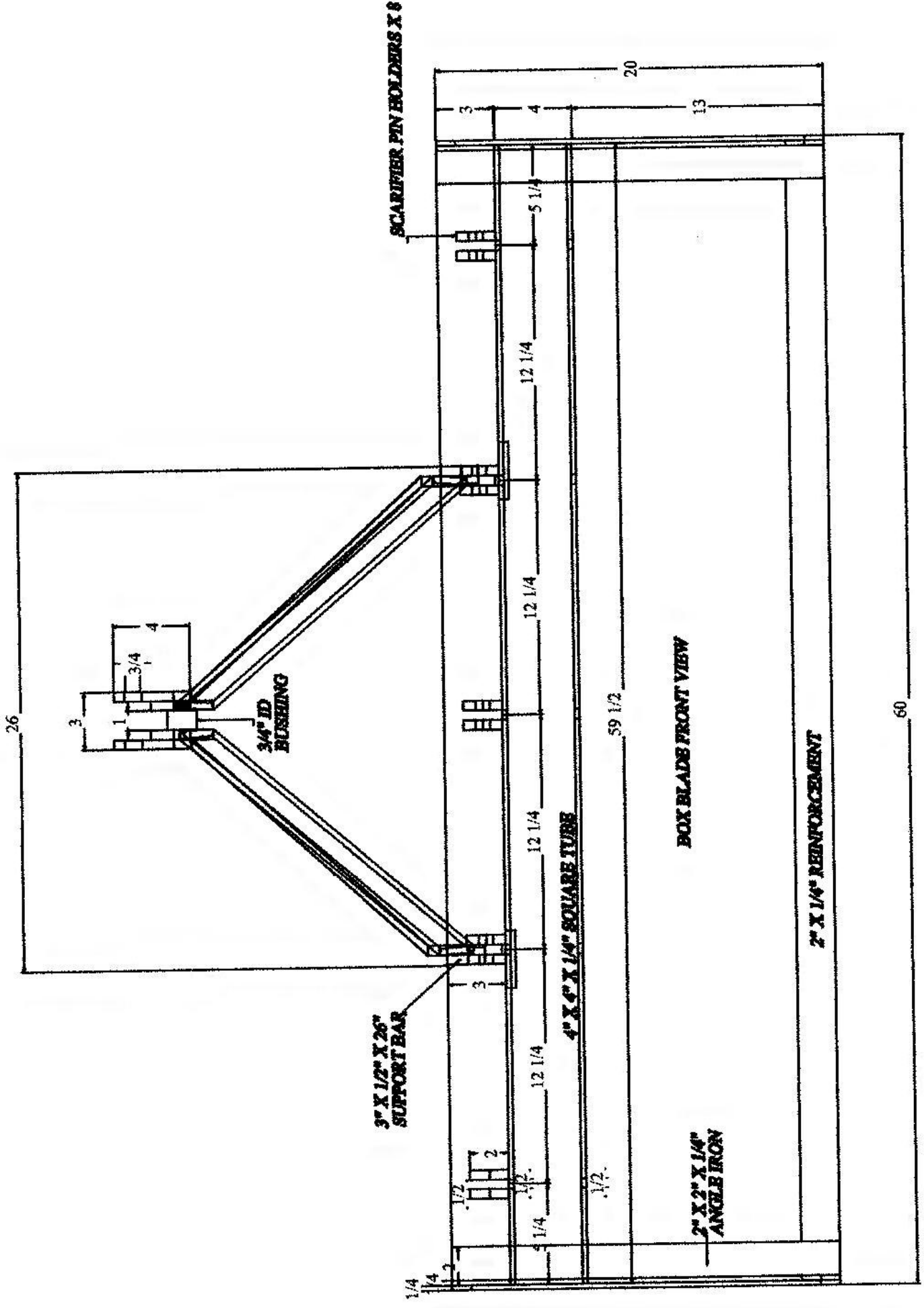
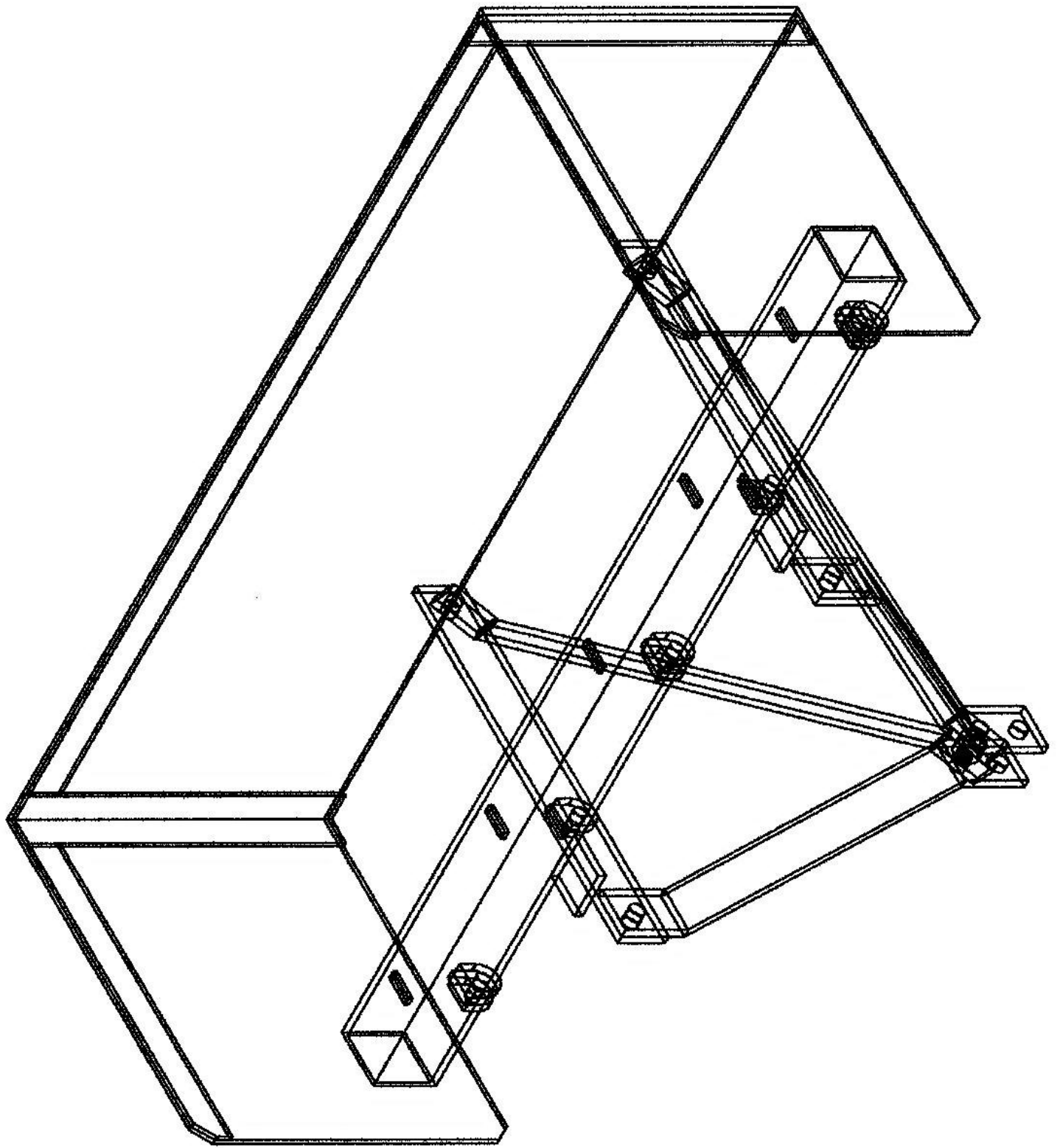


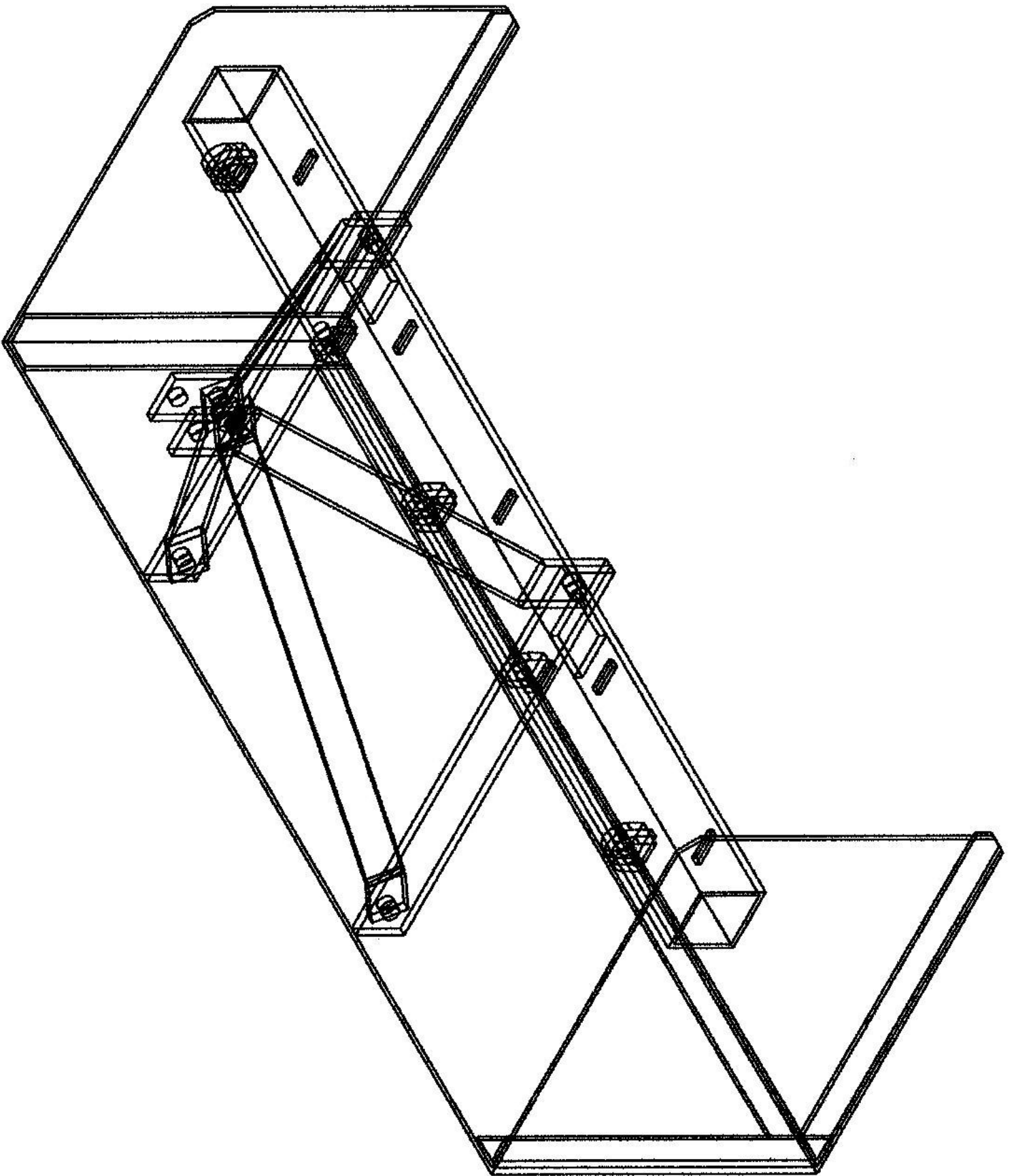
BOX BLADE DESIGN BY AAM CAD DESIGN  
 COPYRIGHT 2003

★ BOLT TOP LINK SUPPORT  
WITH 3/4" BOLTS









# BOX BLADE

By  
A&M CAD DESIGN

When cutting and welding, refer to the 3D view to help keep everything in perspective.

## Materials:

- 1-20" x 60" x 1/4" sheet metal for back
- 2-20" x 23 1/4" x 1/4" sheet metal for sides
- 2-2" x 2" x 1/4" angle iron 20" long for bracing sides to back
- 1-2" x 55 1/2" x 1/4" flat steel for bottom reinforcement on back
- 2-2" x 21 3/4" x 1/4" flat steel for bottom reinforcements on sides
- 1-4" x 4" x 1/4" square tube for support and scarifier slots
- 2-3" x 26" x 1/2" steel plate for cross support and side link support
- 2-3" x 3" x 1/2" steel plate for additional support
- 8-2" x 2" x 1/2" steel plate with 3/4" hole for scarifier pins
- 2-3" x 1/2" thick for forming top link, cut and welded or bent to shape and bolted to side link supports
- 2-2" x 1/2" thick for forming top link supports that mount to rear of blade, cut and welded or bent to shape. Bolted to back of cross supports and to top link.
- 1-3/4" ID bushing 1" long for spacing top link supports

Cut all pieces and weld together per diagrams. The back and sides may be bent from one piece of 1/4" x 20" sheet metal if you have the means. Otherwise, use the angle iron to hold and position when welding the back and sides together.

Store bought link pins will either be bolted in or welded in the side link holes.

This is designed to utilize pre-manufactured scarifiers (teeth). The easiest way to make the through holes is to drill a 1/2" hole at each end and cut the sides out with a jigsaw.

Pre-drill the scarifier pin holes before welding the plates in place. Use a 3/4" pin placed through the holes when welding to keep the holes aligned.

Once assembled, grind all sharp edges and corners, prime and paint.

This is a 5' wide design. You may lengthen or shorten if desired. Just keep the dimensions for the cross support and top link forming supports the same.