

Cybertek

The Cyberpunk Technical Journal

Call our BBS!

206-361-5742

Published by OCL/Magnitude, P.O. Box 64, Brewster, NY 10509

(c) 1990 by OCL/Magnitude. All rights reserved.

"This I believe; that the free, exploring mind of the individual human is the most valuable thing in the world. And this I would fight for: the freedom of the mind to take any direction it wishes, undirected. And this I must fight against: any idea, religion, or government which limits or destroys the individual. This is what I am and what I am about. I can understand why a system built on a pattern must try to destroy the free mind, for this is the one thing which can by inspection destroy such a system. Surely, I can understand this, and I hate it and I will fight against it to preserve the one thing that separates us from the uncreative beasts." -John Steinbeck

Greetings and Salutations:

For starters, it is with deep regret that must announce a raise in our rates. The reasons for this are because the cost of production has gone up, and the U.S. Postal Service is about to raise the cost of postage. However, we have also increased the size of the from our original 12 pages, to 16 pages. Our new subscription rates will be \$15 a year for domestic orders, \$20 a year for overseas subscriptions, and \$2.50 for a sample or back issue.

We've been hearing that people have been copying **Cybertek**, and passing it around. We don't mind, and thank you for the giving us the needed exposure. What we do ask is that if you receive a copy and enjoy the zine, then please send us a contribution so that we can continue to provide you with useful technological info, and a sounding board for alternative discussion. We would even appreciate stamps and business size envelopes. (The kind we mail out the zine in.) **Cybertek** isn't a money-making venture, and our rates are just enough to barely cover costs. If I don't get assistance from the people who benefit from it then I'll be forced to stop publication, and everyone will suffer. Unfortunately that's the way it goes. We depend on your support.

On a more cheerful note, **Cybertek** now has its first official computer bulletin board

system: **The Manta's Lair**, syscoped by **The Black Manta**. If you have a modem for your computer, give it a call. The # is 206-361-5742, and it features discussions on the same topics we write about in **Cybertek**. It runs at 300, 1200, and 2400 baud.

I had a long conversation with **Phantom Writer**, who is currently attending a college near Rochester, NY. He told me that a lot of students have questions and comments about the magazine. Great! Send them to us! It doesn't matter whether you like us, hate us, or think your question is stupid. One of the suggestions I received was more phone related info. As a result, we'll be doing some more articles on that topic. Also, if you have any interesting info, please send it in! We're always looking for articles, and will give you two free issues for every article you contribute. If you contribute to us on a regular basis, we'll give you a free subscription.

Finally, being that this is the last issue for this year, we wish everyone a Merry Christmas, Happy Hanukkah, and a Happy New Year. See you in 1991. -Icom

ATM Help Phones

Those help phones in ATM Machine lobbies can be very useful if you have to make an emergency phone call. They work on one of two different ways. The first (and best for us) type is the kind that you pick up the phone and press a button, which activates an autodialer that calls customer service. This one generally looks like a regular traditional style wall phone without a dial and a push button somewhere near the phone instructing you to press it to get customer service. The second type can either be a phone, or is sometimes just a handset set into a mounting on the counter which tells you to pick it up for assistance. There are variations in appearance with the two types, but the button is the giveaway.

What you can do with the first type is pick up the phone and not push the button. You should just get a dialtone. In most of



regular phone line, and you can dial out to anywhere by either flashing the switchhook, or if the line has touchtone service, by using a portable touchtone dialer available at **Radio Shack** for \$19.95. Some of these phones are hooked up to the bank's PBX, in which case you'll have to dial the extension for an outside line, in most places this is usually a "9", "99" or something similar. You can sometimes find out if it's on a PBX by listening to the tones coming out of the autodialer. If it puts out more than 10 digits, or puts out a couple digits and pauses before dialing the rest, then it's on a PBX. Of course some autodialers mute the touch tones so you can't hear them.

With the second type you can call customer service, and either ask some stupid question, or say "Sorry, I got a wrong number". When the nice lady hangs up in most cases you will get back a dialtone and then you can dial out. However if the phone line doesn't have touch tones you are out of luck; as the autodialer is activated by picking up the phone, and flashing the switchhook will false start the autodialer. So, if you can't use your TT pad, you're out of luck.

Getting into ATM lobbies is pretty easy. They use magnetic strip card access. An ATM card obviously works,

as well as credit cards, calling cards, and anything else with a magnetic strip on the back. The belts on the door are often exposed and can be jimmied open. Some of the locking mechanisms don't even work.

There are a few things you have to worry about. The first is that someone might notice you staying on the help phone for an extended period of time, and get suspicious. The second is that you run a risk of getting recorded when you're in the lobby. Most ATM lobbies have cameras in them. Usually the camera is located in the ATM, and only goes on when a transaction is being made, but some places have 24 hour surveillance systems. These are usually externally mounted, and quite visible. If you see a camera in the lobby, then don't mess around there. The other possibility is that the ATM phone could be bugged by the bank. According to law they are supposed to inform you with a beeper every ten seconds, but no one does that anyway. You could do a quick look around to see if you can find anything on the line. If you don't see anything "funny", and can trace all the wiring, then you're probably safe. All in

all, your best and safest bet is to use an ATM located away from a bank, and one where you can see the wiring coming in from the outside to the phone. Even then, call people who'll forget you called right after you hang up.

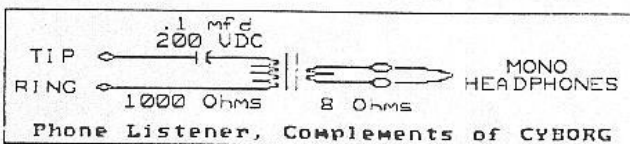
Don't Donate Body Parts by John Williams, Consumertronics

Organ transplants, and "body sharking", the illegal procurement and trade of human body parts has been a part of cyberpunk literature since *Case* received his new pancreas in **Neuromancer** (by William Gibson). With the increasing advances in organ transplant technology, the extremely high cost of such operations, and the profit that can be made if one can somehow "acquire" the "right part", this topic may be thrust into the limelight in the near future - ed.

Most states now have a space on the back of the driver's license that will permit you to sign away your eyes, kidneys, heart, liver, and other body organs should you die. Whatever you do,

DON'T SIGN THIS PART OF YOUR LICENSE!
And don't sign any other document!

I don't want to seem like some sold bastard



trying to deny some hapless child a normal life, but consider these points:

(1) According to a news report, 95% of the money used to pay for organ transplants come from private - not medical insurance - sources. While probably much of this money comes from vigorous efforts at private fund raising to help middle class and poor recipients, it cannot be denied that much of the money comes directly from the families of wealthy recipients. This amounts to a system that very heavily favors the rich over the medically insured working class and the medically insured working class over all other non-insured people in great need.

(2) The squeakiest wheel gets the grease. The recipient who makes the loudest public noises are routinely put in front of more deserving recipients who don't have this clout. If a member of a recipients "team" controls any aspect of the newsmedia, he is automatically granted favorable media access for his cause. A couple of years ago, the young son of the CEO of a Wall St. marketing

placed slick ads to find his son a liver. His son was provided a liver way ahead of hundreds of other children who went on the list before his son - many were in worse condition. This amounts to a system that very heavily favors the powerful.

(3) Human organs are a commodity that has spawned a highly secretive, but extremely profitable black market. Last year, a crate from the United States was opened and examined at Heathrow Airport, London, England. The crate



contained nine frozen human kidneys destined for wealthy recipients in the UK. These kidneys were sold to an organ broker by "donors" from the United States (6) and Mexico (3). Some of these "donors" were accident victims while others, for as much as \$10,000, "donated" a kidney. This may be a clue as to the real intent of the people controlling this industry. That intent is to routinely "harvest" organs from middle class and poor people as part of a new kind of system of slavery. Even the term "harvest" is routinely used by medical professions to make it sound like they are talking about crops - not human lives!

(4) Hospitals and doctors make fortunes performing organ transplants. Operations easily cost hundreds of thousands of dollars. Ask yourself this simple question:

You've had a bad car crash. You are seriously injured, but not fatally. Your driver's license reveals that you are an organ donor. There is a rich and powerful big-shot in that hospital who badly needs an organ you have, and will pay virtually any amount - above and below board - to get his organ. What is the probability that you will recover from your non-fatal injuries?

I would say that your chances of survival are virtually nil! How long do you think it will take for someone to smother you with a pillow, to give you too much, too little or the wrong kind of medication, or to "accidentally" slice into a nearby artery or organ? How many people would you trust with your life knowing that they will make hundreds of thousands of dollars if you would only die? Do you trust the same greedy and corrupt hospital that will charge you \$10 for an aspirin with your life any more than you absolutely have to? Or the same greedy and corrupt doctor that will charge you \$900 to diagnose a pimple? The truth is,

most medical (and pharmaceutical) entities are little more than racketeering organizations.

Clearly, only an idiot, insane, or extremely naive person would make the incredibly stupid mistake of giving their organs away. To me, it's a matter of principle. Call me old-fashioned if you will, but I will not give the rich and powerful crooks who have robbed me every day of my life my organs once I am dead. I view

organ donations the same way that I view United Way, Red Cross, the Jerry Lewis MDA Telethon and some others - big-shot organizations who's real purposes are to

benefit the rich and powerful

I can only think of two possible scenarios where an organ donation is reasonable:

(1) When a DESERVING member of your family needs the organ.

(2) When you can earmark your organ for a DESERVING poor or middle class person, particularly a child.

In both cases you should have at your side medical personnel you personally trust, and it should be done with a legal contract that clearly states which organ(s) is to be removed, and that if the specific transplant is not made for any reason, then the organ should be left in, or returned to your body.

This is to not say that you shouldn't donate your body to science should you die. I tend to recommend this but only when it's done with the clear proviso that none of your organs are to be transplanted.

The Day After by The Omega Man

What I've done this issue is to compile some generalized "household hints" which might help retain your freedom in the event of increased government oppression, or other survival situation. Although I feel the general trend of things is downhill these days, perhaps an ounce of prevention will avoid the need of a pound of cure.

The first thing you should do is to present as much as a profile of "the average man in the street" as possible. I know this may upset some of our more colorful readers, but the decision is yours. What's more important in your mind, a little self-expression now, or less hassle not only today but also after the shit hits the fan?

If you want to express yourself today, protest whatever the government is up to, write articles which piss blue noses off, or engage in similar

controversial activities then adopt a second identity, and keep the two separate. Not only is this a wise decision, but also perfectly legal. You have a right by law to go by any name you wish as long as no illegal intent is shown.

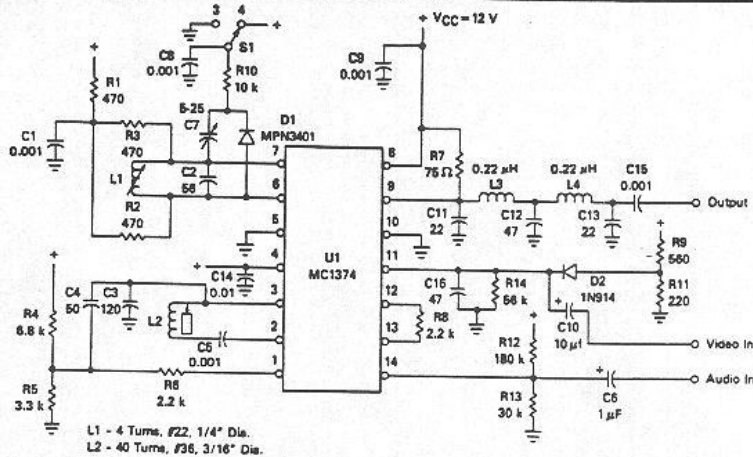
In fact, every survivalist should have at least one alternate identity kept handy in case the shit hits the fan. Paper tripping is still fairly easy to do, so do it now before it becomes more difficult. I suggest people reading this who are interested in alternate identities to read **The Paper Trip I and II**

by Barry Reid (available from **Eden Press**, and other publishers) and **Secret and Alternate Identities** by CWL (available from **Consumertronics**) if there is sufficient interest and I get letters from readers saying so I'll do an article about paper tripping in a future installment.

The second objective is to acquire as much knowledge in as wide a range of fields as possible. Ignorance is no excuse; knowledge is power and anyone who doesn't believe it is either misguided or brain dead. To assist you in any situations which may come up today you should have a working knowledge in as many technological, outdoor, scientific, and military subjects as possible. Firearms & other weaponry, computers, electronics, camping & other outdoor skills, mechanics, hunting & trapping, forging, homesteading, agriculture, chemistry, and medicine are just a few topics which are handy to know about. While you won't be able to learn everything, strive to learn as much as you can. Also, learn how your ancestors lived in the previous century before everything was mass produced by corporations and people had to do it themselves. This knowledge will prove to be invaluable.

To start, you can go to your local library and take out some books on the above topics which interest you the most. While the range of books is limited to non-controversial topics, you'll be

Video Transmitter Plans



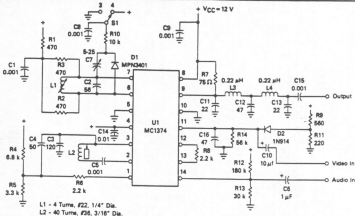
This little gem will transmit on either channel 3 or 4. The heart of the system is an **MC1374 TV Modulator IC** by **Motorola**. The output is about 12mv RMS, and is 12dB higher than the FCC allows. So, for its size, it's one of the more powerful video transmitters around. It works with a standard video camera.

-Icom

surprised just how much info is there. As an example in a typical library you should be able to pick up books on mechanics, computers, electronics, outdoor skills, and firearms. With these five topics you will acquire knowledge on how to keep essential equipment running when support for them fails, learn how to make state of the art communications and analytical systems that will help you keep in touch and make strategic decisions based on data you receive, design sensor and information gathering systems to tell you what's going on with the outside world, stay alive and prosper in primitive conditions, and defend yourself against attack. Essentially, from having knowledge in those 4 skills, you have gained a significant edge in successfully surviving disasters ranging from economic depression, to natural disasters, to a government dictatorship's rise to power. If you live near a college or open military post, check out their libraries too. They usually contain more specialized knowledge. On the more "hardcore" topics, there are several good mail order outlets which sell information ranging from homemade C4 explosive to computer hacking.

If a particular topic piques your interest, then you can pursue it further. Most technological and outdoor enthusiasts are more than happy to help you learn, there are educational institutions which offer courses on the whole spectrum of scientific fields, and if you

Video Transmitter Plans



L1 - 4 Turns, #22, 1/4" Dia.
L2 - 40 Turns, #26, 3/16" Dia.

This little gem will transmit on either channel 3 or 4. The heart of the system is an **MC1374 TV Modulator IC** by **Motorola**. The output is about 12mV RMS, and is 12dB higher than the FCC allows. So, for its size, it's one of the more powerful video transmitters around. It works with a standard video camera.

look around you can find a sympathetic member of the National Guard or veteran who will give you some advice on how to stay alive in hostile situations. **American Survival Guide** magazine even has a free service for survivalists to contact each other for assistance, information, and other needs.

The second stage of acquiring knowledge is keeping informed about the world around you. This is harder than it seems. Yes it is true that we live in the information age, but most of the info is tainted. While it is easy to learn that Joe Blow killed his wife because she was servicing the milkmen or that Donald Trump bought another city block, it is hard to find out news that affects you or has some significance on your existence. You can thank the mass media for that.

So, if you really want to stay informed, I suggest you stay away from television, newspapers, and other forms of mass media. All it is for the most part is propaganda for the corporations, government bureaucrats, and big shots, all of which have screwed the American people since the 1960s, and still try to think of ways to take away your rights and keep you from figuring out what's going on so they can screw you some more.

There are several alternatives out there which are a million times better than the traditional mass media. Two are alternative press publications, and international shortwave stations. They offer a more objective and unbiased view than the TV networks and publishing corporations, and you don't get a large spoonful of attempted brainwashing from the big shots when you read them. This is important because you will be using this information to determine when the shit hits the fan in one of its many incarnations and when to take action.

All that is needed to receive international broadcasts is a radio receiver capable of picking up the shortwave radio band (1.6-30 Mhz). These receivers are available from **Radio Shack** and mail order outlets. Costs start at \$60. When you listen to **Radio Sweden**, the **BBC**, **Radio Deutsche Welle** (Germany's Shortwave Station), and other international broadcasters, you'll notice the tremendous difference between them, and domestic broadcasters like CBS (Columbia Brainwashing Service).

Alternative Press is more common out there than you think. At least one alternative press publication (**New Dimensions**) is available at news stands nationwide. The others are also easy to get. Below we have a list of some of the best ones.

While you also are preparing your mind, you should also be preparing your body. Take up a

sport and include it in your daily routine. While knowledge is useful, if you don't have the physical strength you'll still be at a marked disadvantage. Good sports are martial arts, running/walking, endurance weight lifting, and tennis. While this does take up some time, it's very good for you both now and in the future, and you'll feel better overall.

Once you have assumed a low profile and started acquiring knowledge you can start planning and making preparations. One of the first things you should do in this stage is to make an assessment of what you have that could help you in a survival situation, and what you will further need in order of priority to bring your preparedness up to a sufficient level. This seems the hardest part of getting ready, but once you reach this stage you should have acquired sufficient knowledge of the best way for you to do this. You will also have acquired at little cost a wide variety of knowledge in many different fields, which will also help you in the present.

USEFUL SOURCES

Publishers

Delta Press

P.O. Box 1625
El Dorado, AR 71731

Military manuals, and a wide range of survival stuff. These people are also known as "Desert Publications"

Paladin Press

P.O. Box 1307
Boulder, CO 80306

Survival, weapons, paramilitary publications.

Butokukai

P.O. Box 430
Cornville, AZ 86325

Martial Arts and survival manuals

Consumertronics

P.O. Drawer 537
Alamogordo, NM 88310

Good technological and survival manuals
Some unique stuff not found elsewhere

TAB Books

Blue Ridge Summit, PA 17294

Good texts on many different technological subjects

Eden Press

Box 8410

Fountain Valley, CA 92728

Books on privacy, credit, financial topics.
Good stuff.

Periodicals

New Dimensions

P.O. Box 811

Grants Pass, OR 97526

"The Psychology Behind the News" Highly recommended. Subscriptions are \$23.97 a year (monthly). Insightful articles on matters and topics in this country and its culture.

American Survival Guide

P.O. Box 70015

Anheim, CA 92825

"The Magazine of Self-reliance" Highly recommended. Discusses all survival topics \$23.95 a year (monthly).

2600

P.O. Box 752

Middle Island, NY 11953

Deals with telecommunications and computer security. Interesting, and essential if you have interests in those fields. \$18 a year (quarterly).

Full Disclosure

Box 903

Libertyville, IL 60048

The premier alternative press periodical; a **MUST HAVE**. Goes into great detail on government happenings, new laws, science and technology, and other topics with emphasis on how they could/would affect you. Subscriptions are \$18 for 12 issues (published every other month)

Factsheet Five

c/o Mike Gunderloy

6 Arizona Ave.

Rensselaer, NY 12144

This magazine is the ultimate alternative press information source. In each issue there are reviews for hundreds of alternative magazines and newsletters, and other forms of alternative press/literature. It's published 6 times a year, and subscriptions are \$16/year. This one great for keeping track of what's out there, and excellent for people just starting to get into the alternative press scene.

Books

By an Order of the Magnitude, aka "Live Free or Die!"

by Thomas Icom & John J. Williams

\$39.95, available from **Consumertronics**

Yes, the editor of **Cybertek** wrote this one. However, it is one of the most comprehensive technological survival texts out in the market.

The Green Beret's Guide to Outdoor Survival series

by Don Paul

Pathfinder Publications

150 Hamakua Dr. Suite 401

Kailua, Hawaii 96734

Excellent series on outdoor living and survival. Highly recommended. Written by U.S. Army Special Forces Soldiers.

Boy Scout Handbook and Fieldbook

Available from your local Scouting distributor. Classic texts. Both contain much useful info.

Beginners Guide to Electronics

Available at Radio Shack. The best for someone starting out in this useful field.

Henley's Formulas (for Home and Workshop)

edited by Gardner D. Hiscox, M.E.

Avenel Books, New York

A reprint of a book from the early 1900s. Contains a lot of useful info, used by people who didn't have a shopping mall down the road.

The Foxfire Book (series)

edited by Eliot Wigginton

Anchor Press | Doubleday

Garden City, NY

Discusses how people did things in the old days. Essential for homesteading, and living in under less than modern conditions.

TM 31-210 Improvised Munitions Handbook (Black Book)

Available from military surplus/army/navy stores, and from many mail order outlets listed in this article. This is the definitive guide for field expedient explosive mixtures. Learning how to mix common chemicals together to make things go Boom! is handy for digging wells, forestry, earth moving/landscaping, and of course self-defense. In fact explosives were quite normal, commonplace, and accepted in America until the big shots realized some irate citizen could use dynamite to get very effective justice against them and bribed politicians to put

restrictions on it (like everything else).

Secret Freedom Fighter: Fighting Tyranny Without Terrorizing the Innocent

by Jefferson Mack
Palaadin Press

A concise, well written guide to resistance operations geared towards the individual working alone. A handy addition to any technological survivalist's shelf.

That's all for now. Next month we will begin to delve into specific disasters, and offer more advice on how to deal with them. As always, any questions and comments can be sent to me c/o **Cybertek**.

Reader Feedback

Guys,

Once again I commend you on your excellent work. Your third issue of **Cybertek** was the best one yet. So keep up the good work. The mix of CP (Cyberpunk -ed) philosophy and practical applications is perfect.

-J5

Thanks for the compliments. Glad to see that we're accomplishing what we set out to do. -Icom

Dear Tom and Company:

If you have any underground boards that you could turn me on to, especially guys who dabble in electronics etc, I'd much appreciate it. Anybody got any of those ITT-10-450 microwave diodes? Will pay...

The info in the latest journal is great, super informative, serious reality.

-Benny Gillette

We now have **Manta's Lair** online which dabbles in the whole spectrum of technological survival & cyberpunk topics. The # is **206-361-5742**. If other readers have any good technological enthusiast BBS numbers, please send them in. The same goes for any info on those diodes. We'd be interested in useful & interesting applications and sources for them. -Icom

Some questions:

One of **Phantom Writer's** fellow students had asked us these questions. What we did was all provide our own individual responses to them to give interested people a better idea of what **Cybertek** is about.

Q - Why are you underground?

Phantom Writer : Because a small Army can't fight above ground. You have to start underground you gather a large enough mass.

John Williams : I'm not underground. Underground means that you aren't advertising or making yourself known to the general public, but that doesn't mean that we won't go underground if future events dictate it.

Black Manta : 1. I prefer the underground environment. 2. It's not your "normal" type of magazine, and the people we cater to are normally found in the "underground" environment: BBS Systems, etc.

Thomas Icom : I don't think the magazine is underground. Its parent business is registered, the magazine is available to anybody, and we advertise. What we are is **alternative press**; a source of information to people who are fed up with the bullshit fed to them by the big shots in the mass media. Being a member of the alternative press doesn't automatically mean you're "underground".

Hanover Fist : I don't believe that we are underground. Were we underground, we would hide our existence from everyone except known members of the specific groups towards which our articles are targeted - for that matter, we would be writing articles only for certain specific groups. Currently, our magazine is available to anyone who wants to by a copy. We are, as yet, quite small, both in our operation and in our distribution; but then, we're only just starting. The magazine does contain articles which would be of interest to 'underground' groups: in fact, many of our articles are geared towards precisely those markets, but not all of them. The majority of our articles would, I hope, be of interest to a much larger group of people, and if enough of our readers learn about these 'underground' groups, and the reasons why they are 'underground', perhaps more people might begin to sympathize with them, and they might no longer need to be 'underground'. And if our circulation expands because of this, so much the better.

Q - What do you see wrong with the government?

Phantom : Too many things that people don't know about, like the **FBI Colopro Black Beg Jobs**.

Williams : Basically the government is losing control of itself. It's disintegrating, doesn't

represent the people anymore, and is corrupted to the bone.

Manta : Which part? Actually, comparing our government to others; on the average I think it does pretty well, but there are a few things: 1. It's too hard to change laws that need to be changed, for example the liability and harassment of computer bulletin board systems that was the basis for the busts during Operation Sundevil. 2. It's too hard to pass a law that everyone wants. 3. Our foreign policy sucks. I think we spend too much money overseas, and should spend it on this country. 4. Congress is a bunch of greedy shitheads.

Icom : What I don't like is how freedoms are being slowly taken away from us by a government which is supposed to be **of, by, and for the people**. Every day congress thinks up ways in which they can take away our rights "for our own safety". If the government really wanted to keep us safe they would follow the old adage of the **founding fathers, "The government which governs best, governs least."** If they followed that simple rule, then not only would we become more free, taxes would also go down because the government wouldn't be spending so much. For the first 150 years of our country's history, the government followed that wise proverb, and everything went well. It was only after they started violating it did our problems start. Instead, we now have a corrupt government trying to take away our rights and keep us ignorant because they very well know that if enough people realized what was going on, they'd be out of office or worse.

Hanover : (chuckle) Good question...From a purely rational standpoint (I do not believe in unreasoning patriotism), I believe that the American government has of any other in the world that I have researched. And I am not forgetting that nothing is perfect, nor am I suggesting that we should chuck the whole thing and start anew. I do, however, believe that we should strive find and correct its flaws, and become aware of its weaknesses that we might prevent people from exploiting them. With that in mind, then...

The problems in the government seem to stem from the fact that alot of wealthy and unscrupulous people have had altogether too much time and opportunity to manipulate the government for their own personal gain, and that of such causes as they support. I do not have the space to provide a comprehensive list of examples; if you want examples, you can easily research them yourself, they are depressingly common. As a single example of this, I might

direct your attention to the recent banking scandal, although it quite crude in comparison with some. Indeed, in some cases, the strategy's employed have been brilliant. Groups seeking political power have managed to circumvent the constitutional system of checks and balances, and have even managed to see various civil rights ignored, or through legislation, virtually abolished in some cases.

The solution to the problem, or A solution to the problem, would be to make people aware of what the constitution actually says, and what these politicians are really doing. Of course, all things considered, this is easier said than done.

Q - What are we preparing for ?

Phantom : Economic disaster: a big time depression where the people will be separated into two parts; strict upper class and strict lower class with no middle class in between, just like the beginning of the French Revolution.

Williams : Preparing for anything which may a threat whether I'm walking down the street and somebody attacks me or after some great local, regional, or national catastrophe. The basic threats we face today come mostly from violent criminals, drug cartels, the government, and also from the banks & other financial institutions such as insurance companies because they corrupt politicians and steal astronomical amounts of money from the public by forcing the people to do business with them and by stopping and preventing normal human activities (ie. you can't drive a car or do many other things unless you pay them)

Manta : Economic disaster and a definite separation of the upper and lower class. I feel that when they separate with such a great definition there could be possible violence. Also, increased government control over the citizens of this country.

Icom : The two big disasters which I feel show evidence of being the greatest threat today are economic disaster (depression) and increased government oppression of the people (rise of totalitarian rule in the U.S.). Both could happen at once as the resultant problems that would result from a depression of such a magnitude could most likely result in declaration of a "National Emergency" under **Executive Order 11490** (more on that later). If such a thing were to happen our freedoms would simply vanish; as the constitution would be suspended "for the duration".

Hanover : Personally, I look at the world, and try to think of everything bad that could happen,

and I try to make arrangements based on what I considered most likely. It is not that I necessarily think that any of the things that I prepare for are terribly likely, it is just that, balance what I have to loose with what I have to gain through various preparatory measures, the cost of those measures, and the chances of these various 'bad' things that could happen, as I estimate them, including my increased chances based on my possible preparations of lessening the affect of these 'bad' things (it begins to sound complicated, no?), and I decide, based on all that, what preparatory measures would be cost-effective. If you want specifics, you can compile your own list of 'bad' things, decide their likelihood, multiply this percentage by what you stand to loose if they happen, and what you have is the amount that would be cost-effective to spend on their preparation. To determine if something which only increases your chances of being unaffected is cost effective, multiply the percentage by which it increases your chances by whatever you stand to loose, and if it costs less then or equal to that, then it is cost-effective. And so on. It gets much more complicated than that, but I don't have the space to detail it all.

That's all. As always, we encourage you to write us with your comments & questions and will respond in the next issue. You can write us at:

Cybertek
P.O. Box 64
Brewster, NY 10509

Pragmatism by Hanover Fist

Pragmatic is defined as practical, testing the validity of all concepts by their practical results. At least, this is how one of Webster's dictionaries defines it. It doesn't really do the word justice.

Most people - at least those who 'know' what the word means - believe that pragmatism is the philosophy that claims that the end justifies the means. Most people (doncha' just love those nonspecific generalizations?) also claim that the end never justifies the means. To a pragmatist, both of these philosophies are equally wrong: the pragmatist believes that the end can justify the means.

Strategically speaking, having the maximum number of options available maximizes your chances of accomplishing your goals. If it is necessary to use undesirable means to accomplish a desirable end, and the gains to be had by accomplishing this end exceed the losses

represented by the means, then the pragmatist would not hesitate. The person who claims that the end never justifies the means would never use such means, and so would not have achieved his goals, and if those goals are philanthropic, then people would have suffered, relatively, for nothing.

The pragmatist is also a realist, by definition. If he is not, then he could not truly be a pragmatist, even if he thinks he is, because he would not really be optimizing his chances, and a pragmatist would always optimize his chances. For this same reason, a pragmatist would not accept anything on faith, or without examination and definite verification, except as a possible working theory. For this reason, he has no use for the morals that have been handed down from on high, though the reaction that he might engender from others if he is believed to be, or not to be following them would, of course be considered. He would have no use for any unreasoning belief, save where the impression that his beliefs make upon others might affect his goals.

Strategy is the tool of the pragmatist: optimizing his chances for success when working at cross purposes with others requires it. A pragmatist should study strategy in all it's applications, as it will surely be required eventually, and it will always increase his chances, if even just because he has no way of saying for certain that at some point in the pursuit of his goals, he might not find himself in a position where it could help. In many ways, strategy is pragmatism.

Knowledge is the tool of the pragmatist: without it, he cannot accurately determine where his best chances of success lie. A pragmatist should always seek such knowledge as he can, giving preference to that knowledge which seems most likely to aid him, but certainly not limited to that. Similarly, knowledge should generally be denied to ones potential adversaries, and provided to ones potential allies. Pragmatism is impossible without knowledge.

A pragmatist must decide what his goals are, and rate the desirability of each. He cannot devote too much thought to this, as everything else depends on it. Similarly, he must decide what limits he will place upon his actions, and how important each one is. A pragmatist can rationally derive a code of morals: in fact, if he gives it enough thought he is almost certain to do so.

A pragmatist, as stated earlier, should always seek to maximize his chances that is what pragmatism is. He should consider every factor

that he can, and base his decisions on every fact and possibility that he could derive. He should realize that common sense does not have a terribly good level of accuracy; so he should seek to make all of his decisions logically, even mathematically, where possible.

Above all, a pragmatist should use every possible advantage at all times. He can never be certain that just one insignificant seeming thing, or perhaps an accumulation of them, might be the difference between success and failure. Even the tiniest of gains now will be magnified down the line.

Consider: if I were in a position of power, I would seek to make sure that all those who might one day challenge me lacked the wherewithal to do so. For this reason I would, if I could, see to it that people in general did not understand how I achieved my position. I would try to make sure that the philosophy of pragmatism was not generally understood, or was generally frowned upon. Perhaps this is why pragmatism is so misunderstood: the people in power are pragmatists.

It is easier to control people who do not consider things realistically and logically, and who do not question what you say and do, or who let themselves be led by you because of their blind faith. Perhaps this is why unreasoning patriotism is so encouraged, and why so many religions place so much emphasis on having faith in them.

This author could certainly benefit if others learned of pragmatism, as he would have allies, whether they knew it or not, but only if he is not now in a position of power. Other pragmatists, even if, or perhaps especially if, they are just normal, 'little' people, without great personal resources, would all help to nibble away at the power bases of the people currently in power. If everyone knew about pragmatism, and practiced it, eventually, a mutually beneficial state would almost certainly come about. In this authors case at least, it would be acceptable to see such a state come into being, rather than to achieve great personal power over others. It's simply a practical compromise.

Interested parties might read books such as 'The Prince' by (pardon my spelling) Nicolo Machiavelli, and Sun Tsu's, 'The Art of War'. You never know, they just might help...

Gensing and the Cyberpunk by The Black Manta

In the day and age of chemical processing of foods, the cyberpunk needs to have ways of

keeping his body and mind healthy. I believe the Ginseng root to be a strong tool in the pursuit of health and stress reduction.

Lets cut through the bullshit and get down to the scientific findings. The way your body copes with the everyday stresses of life is by releasing hormones from the Adrenal Cortex. Becoming overstressed can take its toll on the adrenal glands and your body. Your Adrenal Cortex was not designed to work in an overstressed situation for any particular extended length of time and by doing so lots of health problems can result from this such as high blood pressure, heart disease, ulcers, anxiety, neurosis, chronic fatigue and exhaustion. It has been found that Ginseng seems to do the work of the hormones that are normally released as a result of high stress and thus reduces the work of the Adrenal Cortex and helping to alleviate stress in the process.

Ginseng also acts very similar to our bodies own natural anabolic (An anabolic is a substance that regulates the burning of energy). Anabolics give energy to the body by breaking down food into sugar. One of the natural anabolics found in the human body is Testosterone (ie the male sex hormone and growth hormone). Because of the ability to act as an anabolic your body is able to produce a lot more energy and sustain the body through high levels of stress. I ingest some Ginseng before leaving in the morning and by the time i get out of traffic i am ready to rock and roll.

Besides steroids, Ginseng also contains vitamins such as potassium, calcium, B1 and B2, sodium, silicon, sugar, starch, manganese, aluminum, strontium, barium, titanium, iron, and some substances that are unique to Ginseng.

Panaxin - A substance that directly stimulates the central nervous system.

Panaquilon - A substance that helps maintain proper hormonal levels in the body and is believed to stimulate the Endocrine System.

Panoxic Acid - Helps the cardiovascular system function more effectively and improves metabolism functions.

Ginsemin - Resembles the effect of insulin.

Volatile Oil - Believed to be a brain stimulant.

You may have noticed that i have not mentioned anything about the 'Magical' properties of the root. That is mainly because



Call: **Manta's Lair BBS**

Computer Bulletin Board System

300/1200/2400 baud, 8/N/1

Cybertek BBS#1, online 24 hours

⇒ **206-361-5742** ⇐

Computers, Hacking, Phones, Radio, Security, Financial, Alternative Energy, Survival, First Amendment, & Cyberpunk discussion forums. 150 Megabytes of technological information of all sorts.

I'm a fairly down to earth person and don't believe most of that shit. All in all Ginseng has definite health benefits and should be included in everyone's diet and exercise programs (I would not suggest that you use this without an exercise program of some sort). My personal use consists of 2-450 Milligram tablets of Siberian Ginseng (Be sure to get Siberian, it's the most potent) before I leave in the morning and 2 tablets before I workout. Hope you all have gotten something from this article.

Peace

The Black Manta

DMSO

by **Thomas Icom**

"D- M- S- O,
Crypto wonder drug in vogue,
Some people say it cures arthritis,
Maybe that's why it keeps getting banned,
It's absorbed directly through the skin,
Mix it with lemon juice, touch your
fingertips, you'll taste the lemon,"
-From the song "DMSO" by **The Dead
Kennedys**

A lot of myth and legend surrounds this legendary substance called DMSO. I've heard conflicting reports from many different people about various aspects of this interesting substance, and in the tradition of *The Cyberpunk Technical Journal* did a little research to provide readers with factual information about it. The following is just an overview of some of the abilities of DMSO. For more background information I refer the reader to **DMSO, The New Healing Power** by **Marion Walker**,

D.P.M. (Freelance Communications, 484 High Ridge Rd., Stamford CT, 06905-3095) and **The DMSO Handbook** by **Bruce W. Halstead, M.D. & Sylvia A. Youngberg, R.N.** (Golden Quill Publishers, P.O. Box 1278, Colton, CA 92324 (714)-783-0119). Both of these books have been around a while, and updated versions of these excellent references should be available soon.

DMSO is the abbreviation for Dimethylsulfoxide. It was discovered in 1866 by a Russian chemist named Alexander M. Saitzeff. DMSO is also known by the trade names of DMS70, DMS90, Deltran, Demasorb, Demavet, Demso, Dermasorb, Dolicur, Demose, Dramisol, Gamasol90, Nyadur, Infiltrina, Semipront, SO9453, Syntexan, and Topsylin. It is an excellent solvent; as it will dissolve aromatic and unsaturated hydrocarbons, organic nitrogen compounds, organo-sulfur compounds, and organic salts. It also has some extraordinary medical properties.

The most obvious aspect of DMSO is of its ability to dissolve other substances and to be absorbed with these substances through the skin. This method also seems to enhance the activity of certain drugs. Besides that, it has several other properties. It acts as an analgesic and anti-inflammatory. Success has been shown by using DMSO in treating athletic injuries, sprains, Whiplash, Bursitis, Tendonitis, Peritendonitis, and Arthritis. It increases circulation to the treated area, and promotes the healing of injured tissue. It is highly effective in the treatment of burns and frostbite. It has been shown that use of DMSO protects against the effects of radiation exposure. Its ability to pass through body membranes, anti-inflammatory action, and promotion of healing make it very

well suited for the treatment of head injuries. Studies were done on Monkeys by inducing strokes and then treating them with DMSO; treatment showed higher recovery and less paralysis than any other treatment. Studies have also shown DMSO to be promising in the treatment of cancer. Finally, LD50 tests done on various animals have shown DMSO to be much less toxic than other drugs in use today including Atinomyacin D, Aspirin, Tetracycline, and Thiamine.

DMSO is available in three grades: pharmaceutical, veterinary, and industrial. The pharmaceutical grade is the one "approved" for human use. It is generally available only via prescription, although I hear some places resell it over the counter. The veterinary grade is used on animals and supposed to be a little less pure; its most popular use being horse liniment. It is widely available and most health-food stores that carry it sell this grade. It is not approved for human use and thus carries a disclaimer. I haven't heard any problems with it, and neither have anyone else I talked with. As always I can't advise you to break the law, but the choice is yours. The other grade is used as a solvent and is said to contain many impurities including lead, acetone, & cadmium. While many people have used industrial grade DMSO to good effect, I would recommend staying away from it, as getting accidentally poisoned wouldn't help you too much.

DMSO can be purchased at health food stores, and some veterinarians will sell it to you if you can come up with a good excuse why you need it. It is also available via prescription. For liability purposes we are forced to recommend that if you are purchasing DMSO for use on human beings, you should get it via a prescription from your doctor.

Interzone Reviews

Gordon McComb's Gadgeteer's Goldmine by Gordon McComb, TAB Books \$18.95 - This excellent book contains a good background and lot of practical information on many different high-tech topics: high-voltage devices, piezoelectricity, lasers, holography, bio-metal, robotics, surveillance, and superconductivity. Although geared for the beginner to intermediate, there's something in here for all technological enthusiasts. (ICM)

Build Your Own Laser, Phaser, Ion Ray Gun & Other Working Space Age Projects by Robert E. Iannini, TAB Books \$15.95 - The author of this book is the owner of **Information**

Unlimited, and the book contains plans from this company. Not as broad as **Gadgeteer's Goldmine**, Iannini's book discusses lasers, ultresonics, high-voltage, and "wireless transmitting" (which includes infrared viewers, battery chargers, automatic telephone recording device, VOX switches, and the "electronic paralyzing device" (aka TASER)) projects. His background information on these subjects and their related projects is excellent and the cost of the book is less than if you went and bought the plans from **Info Unltd**. It is also worthy of note that the EMP (Electromagnetic Pulse) Generator Plans that **Capt. Zap** mentioned in his paper **"Who's Listening"** are in this book. For those alone it's worth the price. (ICM)

U.S. Army Field Manual FM 5-25 Explosives and Demolitions - This is the de-facto training guide on the subject, written by the military. Informative detail is put into the different types of explosives used by the military, safe handling procedures, placement of charges, and detonating techniques. Quite simply put the knowledge in this book is a **MUST HAVE** for anyone interested in explosives and/or their application. It is available from Military Surplus/Army-Navy Stores, from many mail-order firms (**Delta Press** is one), or you can try an FOIA request to Commander, TRADOC, Fort Monroe, VA 23651-5000. (ICM)

Iron Feather Journal P.O. Box 1905, Boulder, CO 80306 - A very well done hacker/anarchy magazine that contains some useful information. Iron Feather, the editor, takes a different approach in format to other technological enthusiast zines. Subscriptions are \$10 for 10 issues. Worth subscribing to. (ICM)

Notes From the Underground

One homeless gentleman was murdered, and nine others were injured when they were attacked by a dozen youths wielding bats, pipes, knives, and meat cleavers on Halloween night in New York City. Four people, including a 13-year old were arrested on murder charges. According to N.Y.P.D. the group stated that they attacked the men "for thrills". (AP, 11/5/90)

Policy makers in the U.S. Federal Reserve have stated that they are now "more pessimistic" about the economy. (Wall Street Journal, 11/7/90) Now isn't that interesting. I thought those people controlled the economy. Why are

they worried about it?

Counter measures by Thomas Icom

"An ounce of prevention is worth a pound of cure." - Ben Franklin

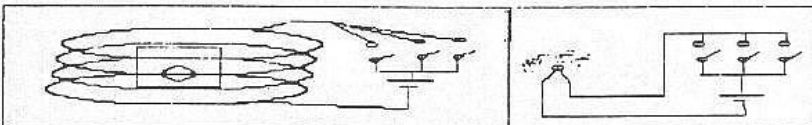
With the recent crackdown on "computer hackers" and evidence that more busts are on the way, modem users in general have been quite concerned that by exercising their rights they could have the U.S. knocking on their door because they called a BBS. This has prompted many telecomputists and computer bulletin board systems to cease operations for fear of being raided. With the recent raids at **Steve Jackson Games** and **Jolnet** perhaps these fears are reasonable. However, if you are committing no wrongdoings you still, despite the KCB and Gestapo like actions of the Secret Service, have the right to exercise your freedom of information access via electronic media.

There are only three laws relating to the use of modems and BBS systems. The first two are toll fraud and computer trespass. Toll Fraud is the avoidance of paying telephone company service charges. Computer trespass is the unauthorized access of a computer system. When you call a public BBS, or a private one you are a member of and pay for the call you are not committing either of these crimes. While they may not like the fact that you have a computer and modem, **they can't touch you**. The other law is not particularly computer related and goes under many different statutes, but in all cases deals with encouraging people to commit illegal acts. This law applies to "illegal" information on BBS systems.

What is "illegal information"? Well any information which has no educational or informational purpose that encourages people to commit a crime. When applied to BBS systems it only includes calling card/long distance telephone service codes, credit cards, and computer passwords/login sequences. That's

all. Hacking and phreaking information has an educational purpose in that it teaches people computer security, and shows dangerous flaws in systems that could be used by someone for nefarious purposes. As long as no direct encouragement is given to exploit these flaws **the information is not illegal and is thus protected by the First Amendment: freedom of speech.** If you are a BBS owner you can have all the hacking and phreaking g-files and message bases on your system and they can't do a thing. If they do, they open themselves up to a law suit. The prime examples of this are the **Private Sector**, **OSUNY**, and **The Central Office BBSes**. **Private Sector** was raided, but no charges were filed because there were no codes, passwords, or credit cards on the BBS. **OSUNY** and **Central Office** were online for years and were the subject of many investigations, but no action was ever put forth against these BBSes as no illegal information was on them. The precedent is there. In order to evoke **First Amendment** protection on your BBS or newsletter display a clear statement that the information is for **educational purposes only**, and that **no illegal use is implied or suggested.**

Now of course the Secret Service often violates these laws despite the fact that in doing so they don't have a legal leg to stand on. They do this on the basis of a technique which has been used from the Middle Ages, down through Nazi Germany, up to the various activities of the KGB in the Soviet Union. **Fear and Ignorance.** People who are ignorant of the law become afraid because in being unaware of their rights they don't know what the



The above schematics are the guts of "burn boxes" for magnetic media (l) and paper (r). They are a simple circuit with a 6 or 12V lantern battery hooked up to either an electromagnet or solar igniter. The switches act as the sensing device, & multiples can be hooked in parallel. One can use any N.C. alarm sensing switch. On the magnetic media burn box, the electromagnet is salvaged from a motor coil, solenoid, or similar device and is placed next to the diskettes. The paper burn box uses a solar igniter placed in a small pile of an incendiary mixture. Easy mixtures to acquire are model rocket engine fuel, pyrodex, or a 50/50 mixture of sulfur and powdered zinc. The papers should be placed on this pile. The pile should be about 3 to 4 tablespoons. The paper burnbox should be vented to prevent explosion as these mixtures can be dangerous when confined. Either burnbox should be made out of metal.

-ICM

INSIDE INFORMATION

The First Amendment allows the press to dig out inside information on the operation of the government and present it to the people. As James Madison put it, "[A] people who mean to be their own governors, must arm themselves with the power knowledge gives. A popular government without popular information or the means of acquiring it, is but a prologue to a farce or a tragedy or perhaps both."

Does the common press need or use the First Amendment? Or, does it prefer to regurgitate the press releases and speeches of government officials?

Full Disclosure is different. It investigates and publishes information you need to know about the government and its activities. Full Disclosure was working on an article about an electronic surveillance device, the manufacturer had been visited by the Justice Department and told not to release any information on the device, they also received a letter to the same effect. Full Disclosure published complete details, including pictures.

An association of over 2,300 government officials involved in using electronic surveillance to spy on Americans, held a secret conference. Full Disclosure dug out the information on it. Exhibitor lists, training sessions, and information distributed at the conference was brought into the public light.

Full Disclosure does what it takes to get the information. For example, a February 1986 FBI memo to the Director, states in part, Full Disclosure publisher, "GLEN ROBERTS, whose background is set forth in copies of his tabloid and the 'Ann Arbor News' newsclipping, interjected himself into the middle of this surveillance. He monitored and recorded the Agents' transmissions..."

Full Disclosure is published for Truth, Justice and the American Way. It is time for you to see the First Amendment in action. Send in your subscription now and save.

A 12 issue subscription is only \$18.00, a \$6 savings over cover price. A 24 issue subscription is only \$29.95 and includes a FREE copy of the Citizen's Guide On How To

Use The Freedom Of Information And Privacy Acts (FOIA Guide), a \$23.05 savings! You must use the order form below, to qualify for these special prices, photocopy ok.

Money Back Guarantee!

If at any time you're not fully satisfied, we'll gladly refund your money for all unmailed issues. The FOIA guide is still yours to keep.

Yes! I'm ready to see the
First Amendment in action! EX3

Start my Full Disclosure subscription today:

12 issues, enclosed is \$18.00

24 issues, enclosed is \$29.95 (also send me the FOIA guide for FREE)

FOIA Guide, enclosed is \$5.00

Name: _____

Address: _____

City/State/Zip: _____

Return this form with payment to:

Full Disclosure, Box 903
Libertyville, Illinois 60048.

They accomplished what they set out to do.

Fortunately you can fight back, and your efforts will eventually be rewarded. On many of the busts the S.S. has gotten burned, and it has been plainly shown to them that they can't continue to operate this way. However no modem user has yet had the balls to sue those basterds. With the current state of affairs the charges get dropped due to various improper procedures, but no specific precedent has been set to make them liable for their illegal activities. Once they lose in a lawsuit brought against them by a modem user they screwed over, we'll see some severe restructuring in that particular branch of the Treasury Department.

The first stage in protecting yourself is to be aware of the laws and your rights. Knowledge is power, and they are well aware of that. In light of that they watch themselves when dealing with people who know their rights because they know that those people will have them nailed to a wall if they slip. Know your rights and be adamant about them.

The second stage is that if you deal in anything even slightly controversial take

government can and more importantly can't do. Due to fear and ignorance they can operate carte blanche because they know the chance of reprisal by some irate citizen is very low. Also, once they raid someone they can gain intelligence on other modem users/"hackers". Once they have the info on the system, they can give it back.

precautions to secure the info in your system. Encryption is a definite must, as well as any other tricks to hide data on your system and prevent tampering. When encrypting data stay away from DES. While everyone says it's the best system the NSA has not recertified it, and the fact that it was developed for the government leads enough credence to the possibility of there being

FOR EDUCATIONAL PURPOSES ONLY

a back-door in the algorithm. About the best encryption system I've seen out there is the **Absolute Computer Security System** scheme by **Consumertronics**. A good idea is to double encrypt the data with two different algorithms. From what was shown by the recent busts in Operation SunDevil the technological expertise of the agents wasn't too high. To quote Lloyd Blenkinship of Steve Jackson games, "They don't know what subdirectories are." This means that any moderately sophisticated data hiding technique should stump them. I would expect though they should be getting better as time goes on. What I would do is use some of the tricks that computer viruses use when hiding data. Marking off used or "bad" sectors to put your data on, or appending it to ordinary programs. One of the best things you can do is put your data on floppy disks, then store them in a container containing a large electromagnet hooked up a tamper switch. This way if they raid you just give the box a good push and everything's wiped. For paper documents use a burn box. This is a sturdy metal container with an incendiary mixture hooked up to a tamper switch. When they mess with it, everything is turned to ashes. You can store data "off-site" where their search warrant doesn't cover. This can be as simple as burying it in the backyard/under the shed or in a "friend's" house.

Rig up special hidden access programs to your system, preferably in RDM, so that if your data isn't accessed in a certain way it gets wiped. If you want to be real nasty, put some fake "incriminating" data on your system for them to bite onto. Good suggestions would be random phone numbers with an extra 4 digits attached or random 16 digit numbers with fake names. This way it looks like they got calling cards or credit cards. Then when they take you to court you can explain "where you got them from". Another idea would be to make a fake database of fellow hackers. This way they waste time tracking down all those false leads. These techniques would serve to make fools of these assholes.

Now if you do happen to get raided or put under surveillance there are a number of things you can do. If you see any "strange activity" outside your house call the police. If some "strange people" come on your property you can warn them that it's private property and then have them arrested for trespassing. You can also go outside and start taking pictures or videotaping them. That pisses them off but they are generally loath to do anything because you'll have evidence against them. If they come over to ask you questions politely refuse and tell them to talk to your lawyer. If they persist have them

arrested for trespassing and harassment. You should also check their ID. John Williams and I have often run into corporate and independent goons who decide to visit you in some sort of attempt to intimidate you. If their ID looks fake or it's otherwise obvious that they're not real law enforcement then have all the fun you want with them! If you receive a phone call, turn on your tape recorder, refuse to answer any questions, and give them the name and number of your lawyer. The tape recorder is important as you'll want evidence of the phone call if their manner of talking to you on the phone opens them up to legal repercussions. And always before you pick up, state the date and time on the tape, and make sure they identify themselves to you.

If government agents come with a warrant call your lawyer, and document everything. Actions they commit on the search warrant may screw them later, but you'll need evidence. Videotape them if it's feasible, and if you have a friend in the press call him/her. Above all invoke your right to remain silent, and don't help them by opening your mouth. With the recent rash of Gestapo-style no-knock warrants a modem using friend of mine has started keeping a .44 Magnum by the door. His explanation is since he's not doing anything illegal if someone comes crashing through the door he's going to assume it's a burglar or psychotic and protect his property and family until the police come. We of course don't recommend that you follow his example, but the choice is yours. After all a law abiding citizen has the right to defend himself. After the bust have your lawyer keep on them like a fly to manure. According to the law a search warrant is supposed to be for gathering evidence for an indictment. If no indictment is forthcoming (none should be if you're clean) then demand your property be returned to you. In any event you should always file suit and seek legal charges against them. Just the simple act of doing that creates hassles for them.

The Duffle Bag

Military Surplus - Collectibles

Outdoor Clothing

BUY - SELL - TRADE

Route 52, Carmel NY
10512

(914)-225-1231