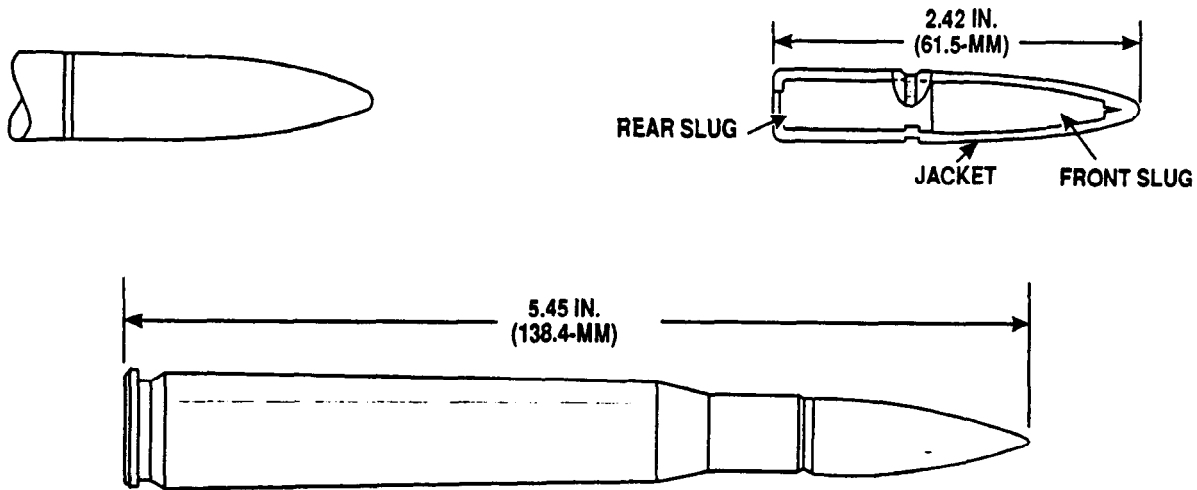


CHAPTER 9
CALIBER .50 CARTRIDGES

CARTRIDGE, CALIBER .50, BALL, HIGH PRESSURE TEST, M1



U
AR 5926

Type Classification:

STD - OTCM 36841.

Use:

All caliber .50 weapons except M8C Spotting Gun. The cartridge is intended for use in proof testing caliber .50 weapons (except the 106mm Spotting Rifle) during manufacture, test, or repair.

Description:

BALL Cartridge. The cartridge is identified by a stannic-stained (silvered) cartridge case.

Tabulated Data:

DODAC-----	1305-A575
UNO serial number -----	0339
UNO proper shipping name-----	Cartridges for weapons, inert projectile
Weight -----	2082 gr
Length-----	5.45 in. (138.4 mm)
Tracer-----	NA
Primer-----	Percussion
Fuze-----	NA

Explosive:

Type ----- NA
Weight----- NA

Incendiary:

Type ----- NA
Weight----- NA

Propellant:

Type ----- WC 860
Weight----- 240 gr

Performance:

Chamber pressure ----- 65,000 psi
Velocity ----- NA

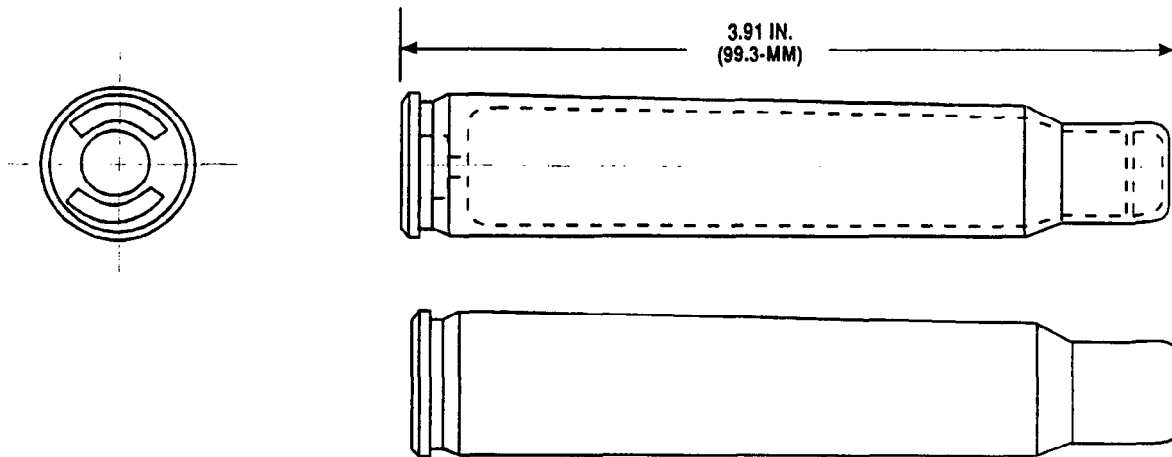
Shipping and Storage Data:

Quantity-distance class/ SCG -----	1.4S
Storage code -----	Class V
DOT shipping class -----	C
DOT designation -----	SMALL ARMS AMMUNITION
Drawing number -----	5544097

References:

SB 700-20
TM 9-1005-213-10
TM 9-1005-231-10
TM 9-1300-206

CARTRIDGE, CALIBER .50, BLANK, M1



U
AR 5928

Type Classification:

CONT - OTCM 36841.

Use:

Machine Gun, Caliber .50, M2 (flexible only). The cartridge is used to simulate firing in training exercises.

Description:

BLANK Cartridge. The cartridge is identified by the absence of a bullet and has a crimped cartridge case mouth.

Tabulated Data:

DODAC----- 1305-A558
 UNO serial number ----- 0338
 UNO proper shipping
 name----- Cartridges for
 weapons, blank
 Weight ----- 917 gr
 Length----- 3.91 in. (99.3 mm)
 Tracer----- NA
 Primer----- Percussion
 Fuze ----- NA
 Explosive:

Type ----- NA
 Weight----- NA
 Incendiary:
 Type ----- NA
 Weight----- NA
 Propellant:
 Type ----- WC 150
 Weight----- 46 gr

Performance:

Chamber pressure ----- NA
 Velocity----- NA

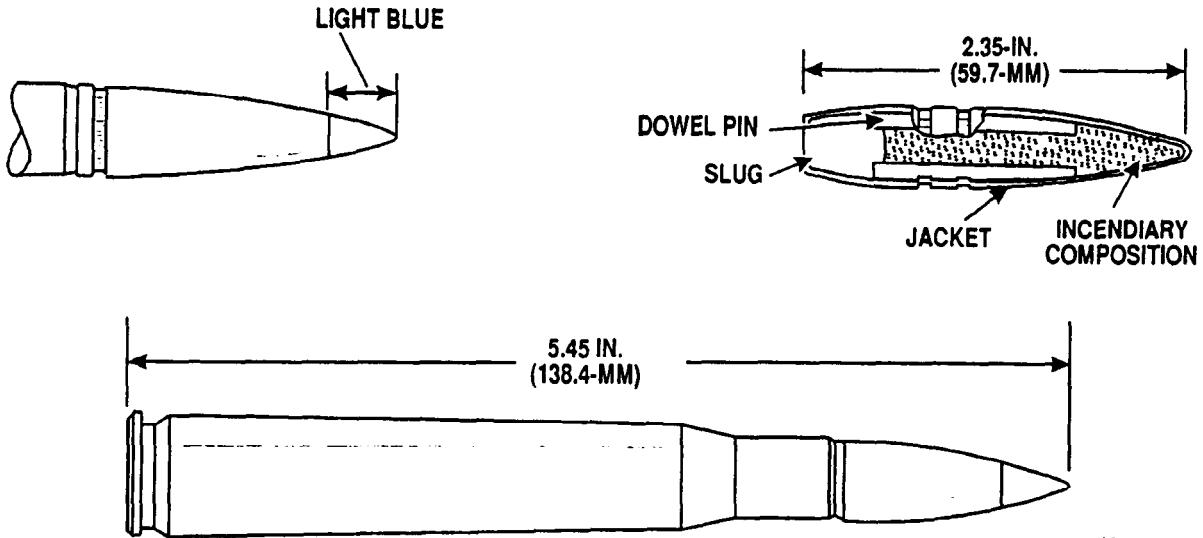
Shipping and Storage Data:

Quantity-distance class/
 SCG ----- 1.4C
 Storage code ----- Class V
 DOT shipping class ----- C
 DOT designation ----- SMALL ARMS
 AMMUNITION
 Drawing number ----- 7673517

References:

SB 700-20
 TM 9-1005-213-10
 TM 9-1005-231-10
 TM 9-1300-206

CARTRIDGE, CALIBER .50, INCENDIARY, M1



U
AR 5927

Type Classification:

OBS - MSR 11756003.

Use:

Machine Guns, Caliber .50, M2 and M85.

Description:

INCENDIARY Cartridge. The cartridge is identified by a blue bullet tip.

Function:

Upon impact with a hardened or armored target, the incendiary composition bursts into flame and will ignite any flammable material.

Tabulated Data:

DODAC----- 1305-A562
 UNO serial number ----- 0300
 UNO proper shipping
 name ----- Ammunition,
 incendiary
 Weight ----- 1744 gr
 Length ----- 5.45 in. (138.4 mm)
 Tracer----- NA
 Primer ----- Percussion
 Fuze ----- NA
 Explosive:

Type ----- NA
 Weight ----- NA
 Incendiary:
 Type ----- IM 11
 Weight ----- 34 gr
 Propellant:
 Type ----- WC 860
 Weight ----- 240 gr

Performance:

Chamber pressure ----- 54,000 psi
 Velocity ----- 2950 fps, 78 ft from
 muzzle

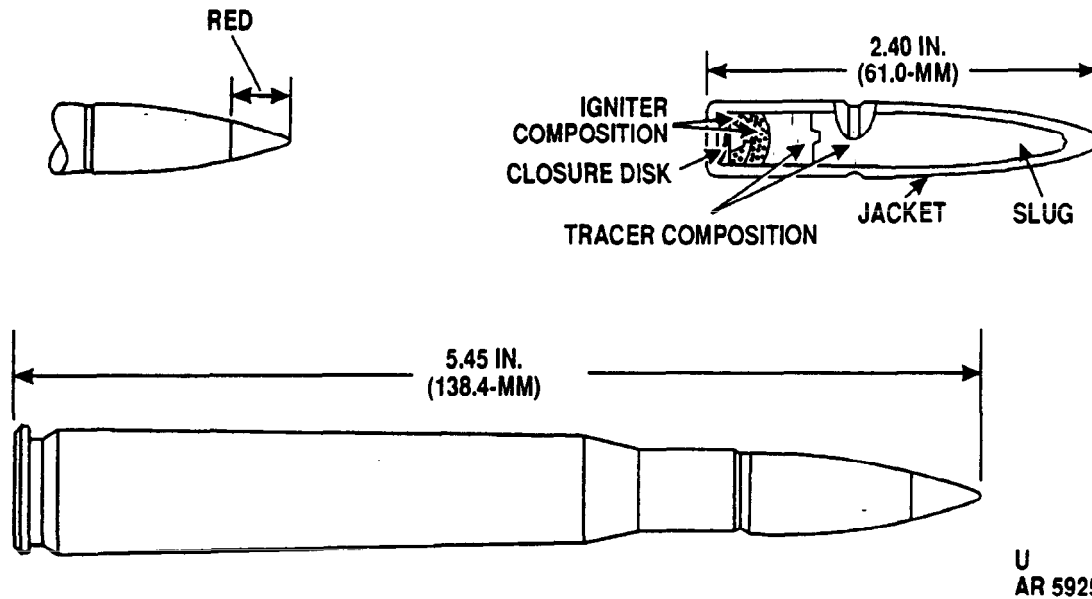
Shipping and Storage Data:

Quantity-distance class/
 SCG ----- 1.4C
 Storage code ----- Class V
 DOT shipping class ----- C
 DOT designation ----- SMALL ARMS
 AMMUNITION
 Drawing number ----- 5579812

References:

SB 700-20
 TM 9-1005-213-10
 TM 9-1005-231-10
 TM 9-1300-206

CARTRIDGE, CALIBER .50, TRACER, M1



Type Classification:

OBS - MSR 11756003.

Use:

Machine Guns, Caliber .50, M2 and M85. The tracer is intended to permit visible observation of the bullet's in-flight path or trajectory to the point of impact. Limited to CONUS for training purposes only.

Description:

TRACER Cartridge. The cartridge is identified by a red bullet tip.

Tabulated Data:

DODAC----- 1305-A591
 UNO serial number ----- 0362
 UNO proper shipping name----- Ammunition, practice
 Weight ----- 1785 gr
 Length----- 5.45 in. (138.4 mm)
 Tracer----- R256
 Primer----- Percussion
 Fuze ----- NA
 Explosive:

Type ----- NA
 Weight----- NA
 Incendiary:
 Type ----- NA
 Weight----- NA
 Propellant:
 Type ----- IMR 5010
 Weight----- 240 gr

Performance:

Chamber pressure ----- 52,000 psi
 Velocity----- 2700 fps, 78 ft from muzzle

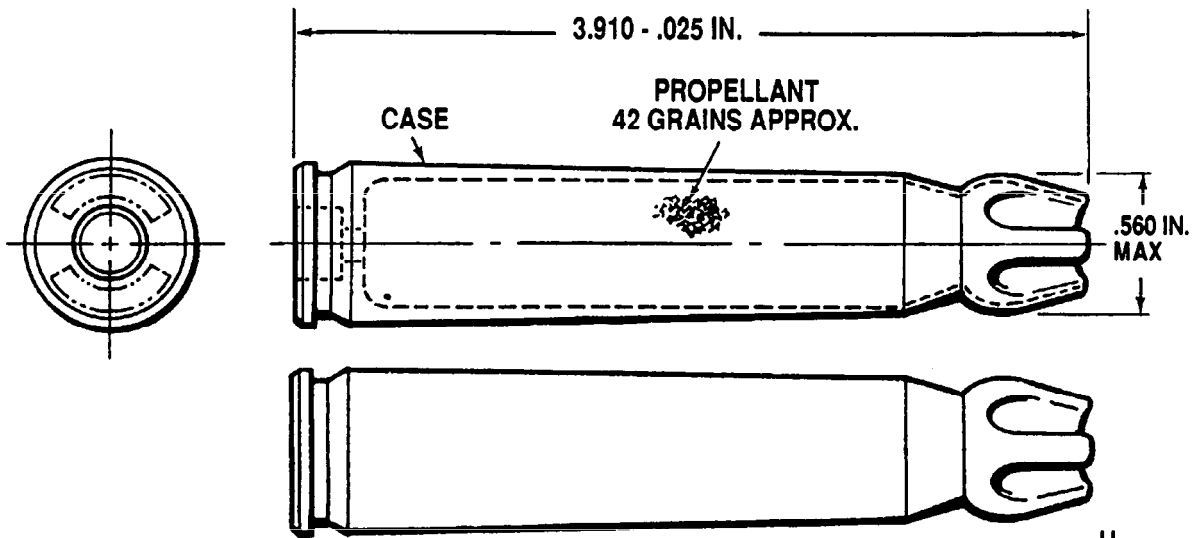
Shipping and Storage Data:

Quantity-distance class/
 SCG ----- 1.4C
 Storage code ----- Class V
 DOT shipping class ----- C
 DOT designation ----- SMALL ARMS AMMUNITION
 Drawing number ----- 5544843

References:

SB 700-20
 TM 9-1300-206

CARTRIDGE, CALIBER .50, BLANK, M1A1



U
AR 5929

Type Classification:

STD - MSR 02806015.

Use:

Machine Gun, Caliber .50, M2 with the M19 Blank Ammunition Firing Attachment; and Machine Gun, Caliber .50, M85 with the M20 Blank Firing Attachment. The cartridge is used to simulate firing in training exercises.

Description:

BLANK Cartridge. The cartridge is identified by the absence of a bullet. The M1A1 differs from the M1 in that the M1A1 has a rosette crimp at the mouth. Also, the M1A1 is loaded with Dupont Hi Skor 700X propellant.

Tabulated Data:

DODAC----- 1305-A559
 UNO serial number ----- 0338
 UNO proper shipping
 name----- Cartridges for
 weapons, blank
 Weight ----- 915 to 955 gr
 Length----- 3.91 in. (99.3 mm)
 Tracer----- NA

Primer ----- Percussion
 Fuze ----- NA
 Explosive:
 Type ----- NA
 Weight ----- NA
 Incendiary:
 Type ----- NA
 Weight ----- NA
 Propellant:
 Type ----- Dupont Hi Skor
 700X
 Weight ----- 42 gr

Performance:

Chamber pressure ----- NA
 Velocity ----- NA

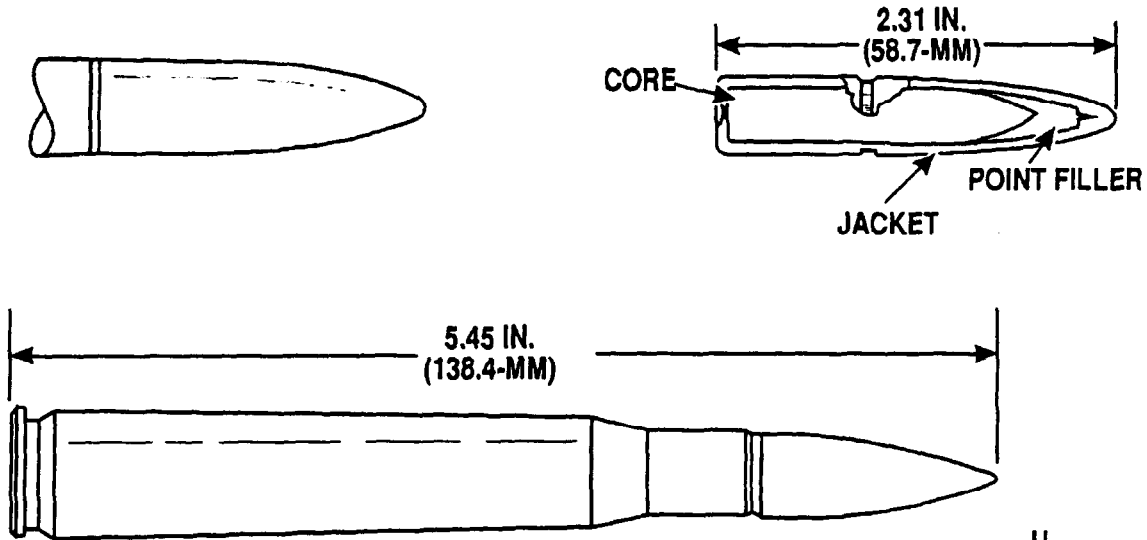
Shipping and Storage Data:

Quantity-distance class/
 SCG ----- 1.4S
 Storage code ----- Class V
 DOT shipping class ----- C
 DOT designation ----- SMALL ARMS
 AMMUNITION
 Drawing number ----- 9341551

References:

DARCOM 700-3-2

CARTRIDGE, CALIBER .50, BALL, M2



**U
AR 5932**

Type Classification:

STD - OTCM 36841.

Use:

Machine Guns, Caliber .50, M2 and M85. The cartridge is intended for use against personnel or unarmored targets.

Description:

BALL Cartridge. The cartridge is identified by a plain bullet.

Tabulated Data:

DODAC----- 1305-A552
 UNO serial number ----- 0339
 UNO proper shipping
 name----- Cartridges for
 weapons, inert pro-
 jectile
 Weight ----- 1813 gr
 Length----- 5.45 in. (138.4 mm)
 Tracer----- NA
 Primer----- Percussion
 Fuze-----

Explosive:

Type ----- NA
 Weight ----- NA

Incendiary:

Type ----- NA
 Weight ----- NA

Propellant:

Type ----- WC 860
 Weight ----- 235 gr

Performance:

Chamber pressure ----- 55,000 psi
 Velocity ----- 2810 fps, 78 ft from
 muzzle

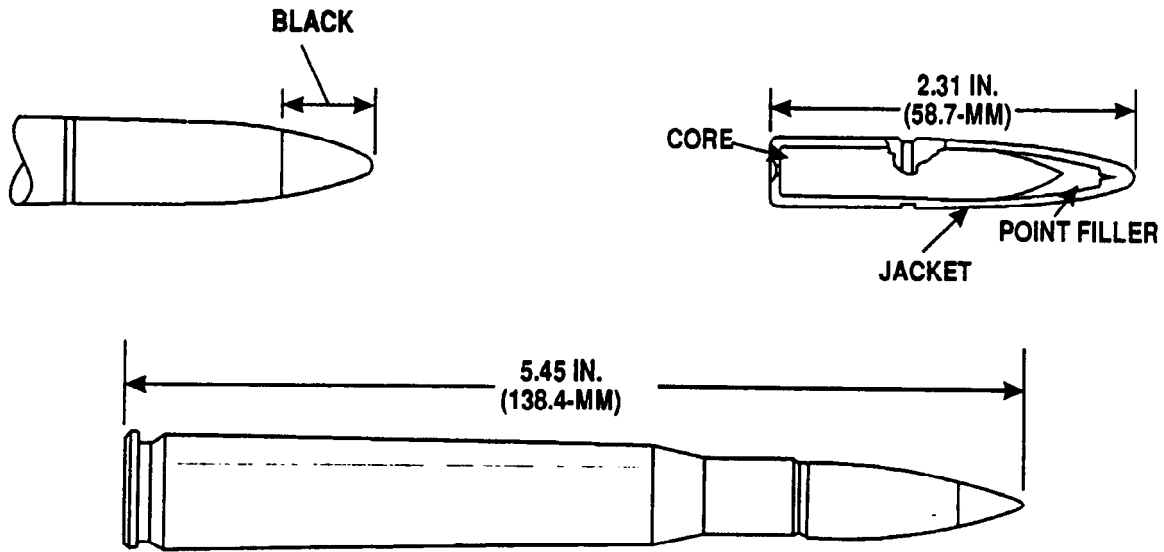
Shipping and Storage Data:

Quantity-distance class/
 SCG ----- 1.4C
 Storage code ----- Class V
 DOT shipping class ----- C
 DOT designation ----- SMALL ARMS
 AMMUNITION
 Drawing number ----- 5577960

References:

SB 700-20
 TM 9-1005-213-10
 TM 9-1005-231-10
 TM 9-1300-206

CARTRIDGE, CALIBER .50, BALL, ARMOR PIERCING, M2



U
AR 5930

Type Classification:

OBS - MSR 11756003.

Use:

Machine Guns, Caliber .50, M2 and M85. The cartridge is for use against light-armored or unarmored targets, concrete shelters, and similar bullet-resisting targets.

Description:

BALL Cartridge. The cartridge is identified by a black bullet tip.

Tabulated Data:

DODAC-----	1305-A526
UNO serial number -----	0339
UNO proper shipping name-----	Cartridges for weapons, inert projectile
Weight -----	1812 gr
Length-----	5.45 in. (138.4 mm)
Tracer-----	NA
Primer-----	Percussion
Fuze -----	NA

Explosive:

Type ----- NA
Weight ----- NA

Incendiary:

Type ----- NA
Weight ----- NA

Propellant:

Type ----- WC 860
Weight ----- 235 gr

Performance:

Chamber pressure ----- 53,000 psi
Velocity ----- 2810 fps, 78 ft from muzzle

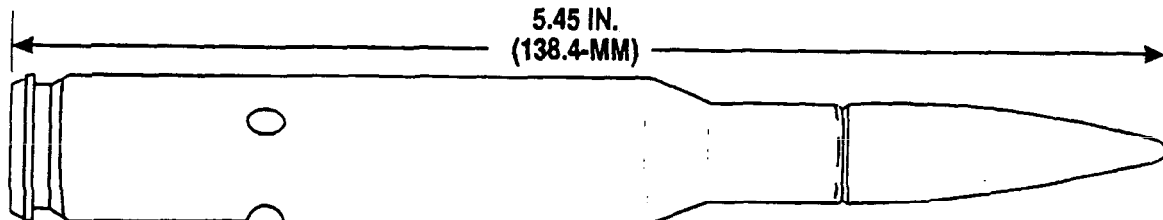
Shipping and Storage Data:

Quantity-distance class/SCG -----	1.4C
Storage code -----	Class V
DOT shipping class -----	C
DOT designation -----	SMALL ARMS AMMUNITION
Drawing number -----	5569930

References:

SB 700-20
TM 9-1005-213-10
TM 9-1005-231-10
TM 9-1300-206

CARTRIDGE, DUMMY, CALIBER .50, M2



U
AR 5931

Type Classification:

STD - OTCM 36841.

Use:

All caliber .50 weapons except M8C Spotting Gun. The cartridge is used for practice in loading for simulated firing and for inspecting and testing the mechanism of the weapon.

Description:

DUMMY Cartridge. The cartridge is identified by three drilled holes in the cartridge case and the absence of a primer.

Tabulated Data:

DODAC-----	1305-A560
Weight -----	1248 gr
Length -----	5.45 in. (138.4 mm)
Tracer-----	NA
Primer -----	NA
Fuze -----	NA
Explosive:	
Type -----	NA
Weight-----	NA

Incendiary:

Type -----	NA
Weight -----	NA

Propellant:

Type -----	NA
Weight -----	NA

Performance:

Chamber pressure -----	NA
Velocity -----	NA

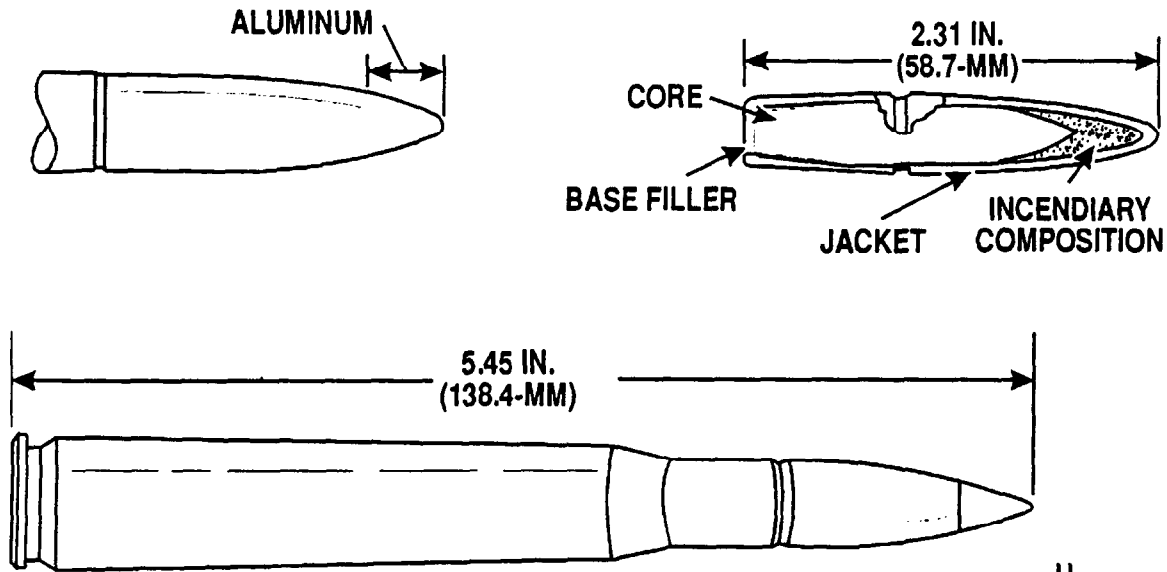
Shipping and Storage Data:

Quantity-distance class/	
SCG -----	NA
Storage code -----	NA
DOT shipping class -----	NA
DOT designation -----	NONEXPLOSIVE
	AMMUNITION
Drawing number -----	5556579

References:

SB 700-20
 TM 9-1005-213-10
 TM 9-1005-231-10
 TM 9-1300-206

CARTRIDGE, CALIBER .50, BALL, ARMOR PIERCING INCENDIARY, M8



**U
AR 5933**

Type Classification:

OBS - MSR 11756003.

Use:

Machine Guns, Caliber .50, M2 and M85. The cartridge combines the functions of the M2 armor piercing bullet and the incendiary bullet, and is used against flammable targets and light-armored or unarmored targets, concrete shelters, and similar bullet-resisting targets.

Description:

BALL Cartridge. The cartridge is identified by an aluminum bullet tip.

Tabulated Data:

DODAC----- 1305-A531
 UNO serial number ----- 0300
 UNO proper shipping name----- Ammunition, incendiary
 Weight ----- 1764 gr
 Length ----- 5.45 in. (138.4 mm)
 Tracer----- NA
 Primer ----- Percussion
 Fuze ----- NA
 Explosive:
 Type ----- NA

Weight----- NA
 Incendiary:
 Type ----- IM 11
 Weight----- 15 gr
 Propellant:
 Type ----- WC 860
 Weight----- 233 gr
 Projectile:
 Weight----- 622.5 gr

Performance:

Chamber pressure ----- 59,000 psi
 Velocity ----- 2910 fps, 78 ft from muzzle

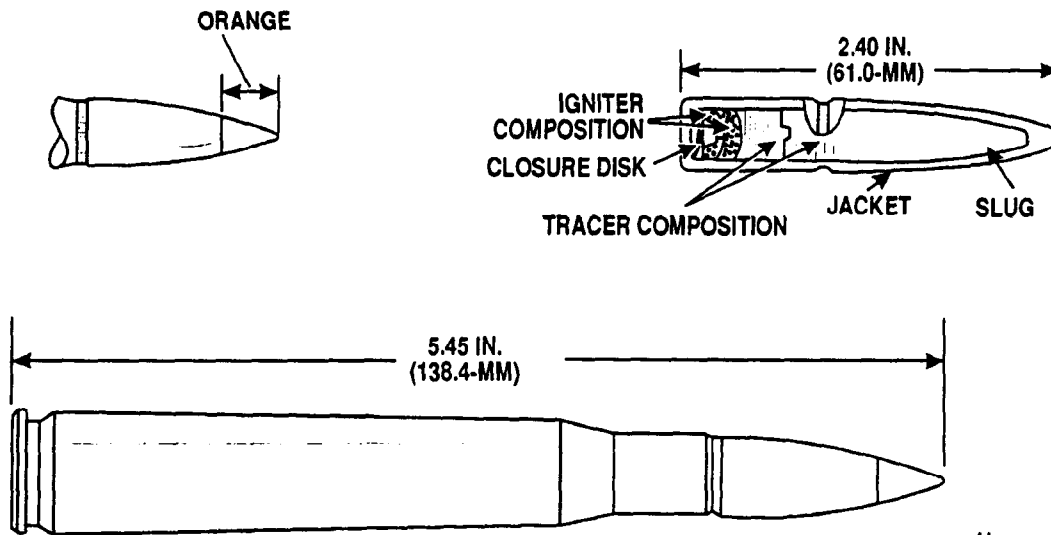
Shipping and Storage Data:

Quantity-distance class/
 SCG ----- 1.4G
 Storage code ----- Class V
 DOT shipping class ----- C
 DOT designation ----- SMALL ARMS AMMUNITION
 Drawing number ----- 7970238

References:

SB 700-20
 TM 9-1005-213-10
 TM 9-1005-231-10
 TM 9-1300-206

. CARTRIDGE, CALIBER .50, TRACER, M10



U
AR 5934

Type Classification:

STD - OTCM 37107.

Use:

Machine Guns, Caliber .50, M2 and M85.

Description:

TRACER Cartridge. The cartridge is identified by an orange bullet tip.

Function:

The tracer cartridge exhibits a visible trace from a point not greater than 100 yards from the muzzle of the weapon to a point not less than 1,600 yards from the muzzle.

Tabulated Data:

DODAC----- 1305-A570
 UNO serial number ----- 0339
 UNO proper shipping
 name----- Cartridges for
 weapons, inert pro-
 jectile
 Weight ----- 1752 gr
 Length----- 5.45 in. (138.4 mm)
 Tracer----- R256
 Primer----- Percussion

Fuze ----- NA
 Explosive:
 Type ----- NA
 Weight ----- NA
 Incendiary:
 Type ----- NA
 Weight ----- NA
 Propellant:
 Type ----- IMR 5010
 Weight ----- 240 gr

Performance:

Chamber pressure ----- 54,000 psi
 Velocity ----- 2860 fps, 78 ft from
 muzzle

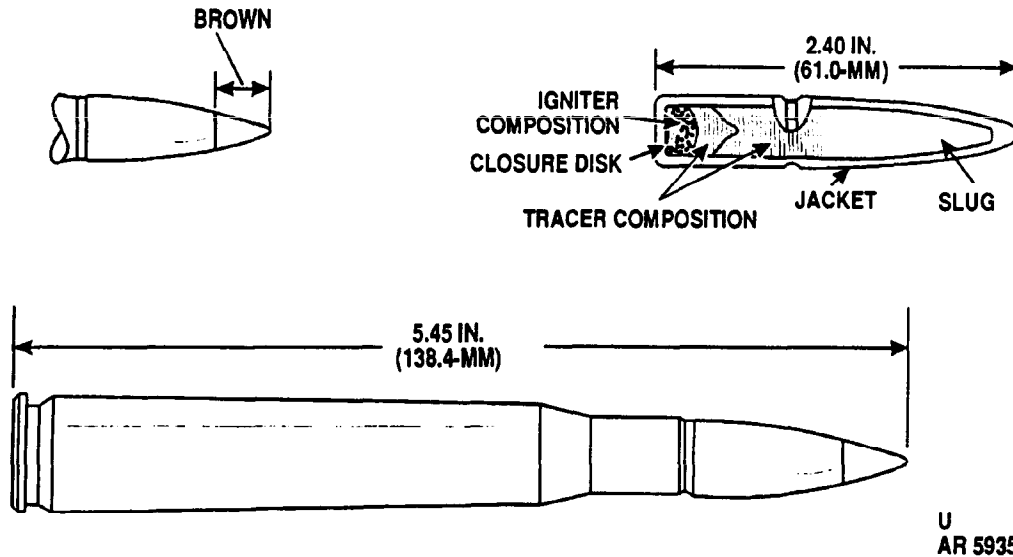
Shipping and Storage Data:

Quantity-distance class/
 SCG ----- 1.4C
 Storage code ----- Class V
 DOT shipping class ----- C
 DOT designation ----- SMALL ARMS
 AMMUNITION
 Drawing number ----- 7670296

References:

SB 700-20
 TM 9-1005-213-10
 TM 9-1005-231-10
 TM 9-1300-206

. CARTRIDGE, CALIBER .50, TRACER, M17



Type Classification:

CON - MSR 11756003.

Use:

Machine Guns, Caliber .50, M2 and M85. The cartridge tracer is intended to permit visible observation of the bullets in-flight path or trajectory to the point of impact.

Description:

TRACER Cartridge. The cartridge is identified by a brown bullet tip.

Tabulated Data:

DODAC----- 1305-A571
 UNO serial number ----- 0339
 UNO proper shipping name----- Cartridges for weapons, inert projectile
 Weight ----- 1732 gr
 Length----- 5.45 in. (138.4 mm)
 Tracer----- R256
 Primer----- Percussion
 Fuze ----- NA

Explosive:

Type ----- NA
 Weight ----- NA

Incendiary:

Type ----- NA
 Weight ----- NA

Propellant:

Type ----- IMR 5010
 Weight----- 225 gr

Performance:

Chamber pressure ----- 54,000 psi
 Velocity----- 2860 fps, 78 ft from muzzle

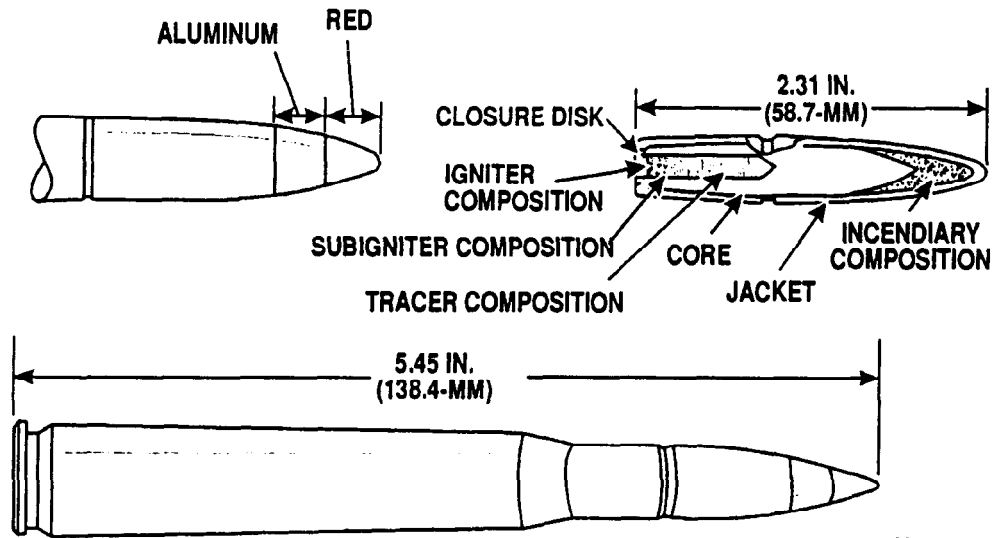
Shipping and Storage Data:

Quantity-distance class/
 SCG ----- 1.4C
 Storage code ----- Class V
 DOT shipping class ----- C
 DOT designation ----- SMALL ARMS AMMUNITION
 Drawing number ----- 7672165

References:

SB 700-20
 TM 9-1005-213-10
 TM 9-1005-231-10
 TM 9-1300-206

CARTRIDGE, CALIBER .50, BALL, ARMOR PIERCING INCENDIARY-TRACER, M20



U
AR 5936

Type Classification:

OBS - MSR 04776009.

Use:

Machine Guns, Caliber .50, M2 and M85. The cartridge combines the functions of the armor piercing and the incendiary bullet, and is used against flammable targets and light-armored or unarmored targets, concrete shelters, and similar bullet-resisting targets.

Description:

BALL Cartridge. The cartridge is identified by a red bullet tip with an aluminum colored ring to the rear of the red tip.

Tabulated Data:

DODAC.....	1305-A542
UNO serial number	0300
UNO proper shipping name.....	Ammunition, incendiary
Weight	1718 gr
Length.....	5.45 in. (138.4 mm)
Tracer.....	R256
Primer	Percussion
Fuze	NA

Explosive:

Type NA
Weight..... NA

Incendiary:

Type IM 161
Weight..... 27 gr

Propellant:

Type IMR 5010
Weight..... 230 gr

Projectile:

Weight..... 619 gr

Performance:

Chamber pressure 55,000 psi
Velocity..... 2910 fps, 78 ft from muzzle

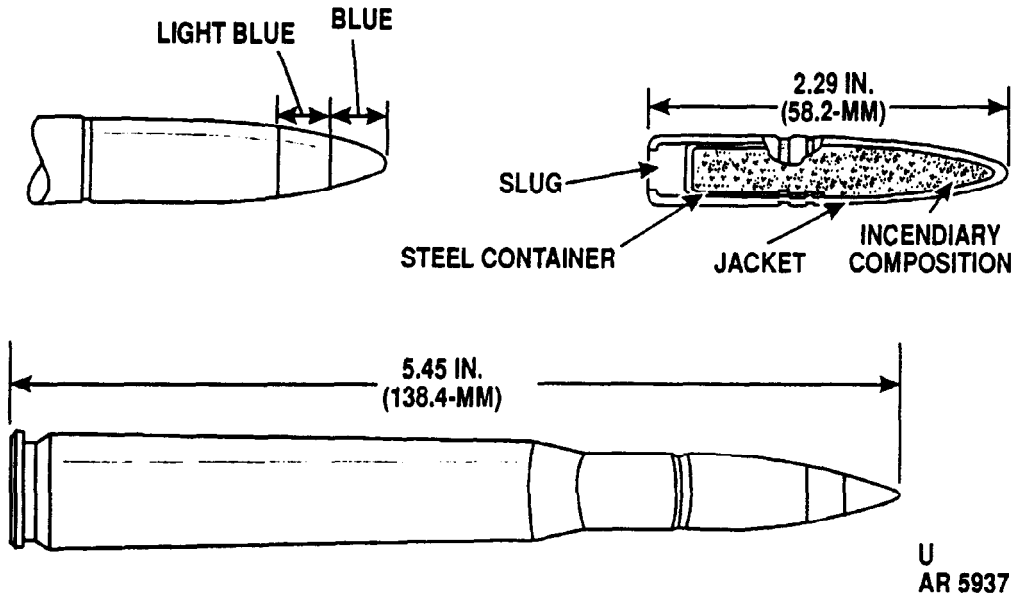
Shipping and Storage Data:

Quantity-distance class/
SCG 1.4G
Storage code Class V
DOT shipping class..... C
DOT designation SMALL ARMS AMMUNITION
Drawing number 7672003

References:

SB 700-20
TM 9-1005-213-10
TM 9-1005-231-10
TM 9-1300-206

CARTRIDGE, CALIBER .50, INCENDIARY, M23



Type Classification:

STD - OTCM 36841.

Use:

Machine Guns, Caliber .50, M2 and M85. The cartridge is used against flammable targets.

Description:

INCENDIARY Cartridge. The cartridge is identified by a blue bullet tip with a light blue ring to the rear of the blue tip.

Purpose:

The cartridge is capable of initiating combustion of flammable materials upon target impact at 175 yards.

Tabulated Data:

DODAC----- 1305-A563
 UNO serial number ----- 0300
 UNO proper shipping name----- Ammunition, incendiary
 Weight ----- 1581 gr
 Length----- 5.45 in. (138.4 mm)
 Tracer----- NA

Primer ----- Percussion
 Fuze ----- NA
 Explosive:
 Type ----- NA
 Weight----- NA
 Incendiary:
 Type ----- IM 28
 Weight----- 90 gr
 Propellant:
 Type ----- IMR 4831
 Weight----- 237 gr

Performance:

Chamber pressure ----- 58,000 psi
 Velocity ----- 3400 fps, 78 ft from muzzle

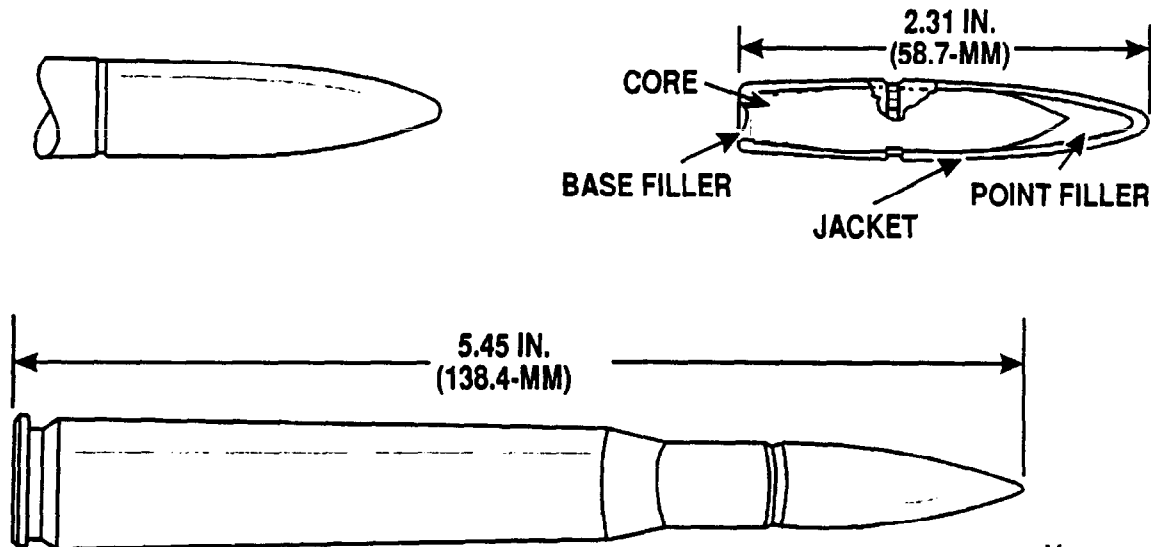
Shipping and Storage Data:

Quantity-distance class/
 SCG ----- 1.4G
 Storage code ----- Class V
 DOT shipping class ----- C
 DOT designation ----- SMALL ARMS AMMUNITION
 Drawing number ----- 7673512

References:

SB 700-20
 TM 9-1005-213-10
 TM 9-1005-231-10
 TM 9-1300-206

CARTRIDGE, CALIBER .50, BALL, M33



U
AR 5938

Type Classification:

STD - OTCM 36841.

Use:

Machine Guns, Caliber .50, M2 and M85. The cartridge is intended for use against personnel or unarmored targets.

Description:

BALL Cartridge. The cartridge is identified by a plain bullet tip.

Tabulated Data:

DODAC-----	1305-A552
UNO serial number -----	0339
UNO proper shipping name -----	Cartridges for weapons, inert projectile
Weight -----	1762 gr
Length-----	5.45 in. (138.4 mm)
Tracer-----	NA
Primer-----	Percussion
Fuze-----	NA
Explosive:	
Type -----	NA

Weight-----	NA
Incendiary:	
Type -----	NA
Weight-----	NA
Propellant:	
Type -----	WC 860
Weight-----	235 gr

Performance:

Chamber pressure -----	55,000 psi
Velocity-----	2910 fps, 78 ft from muzzle

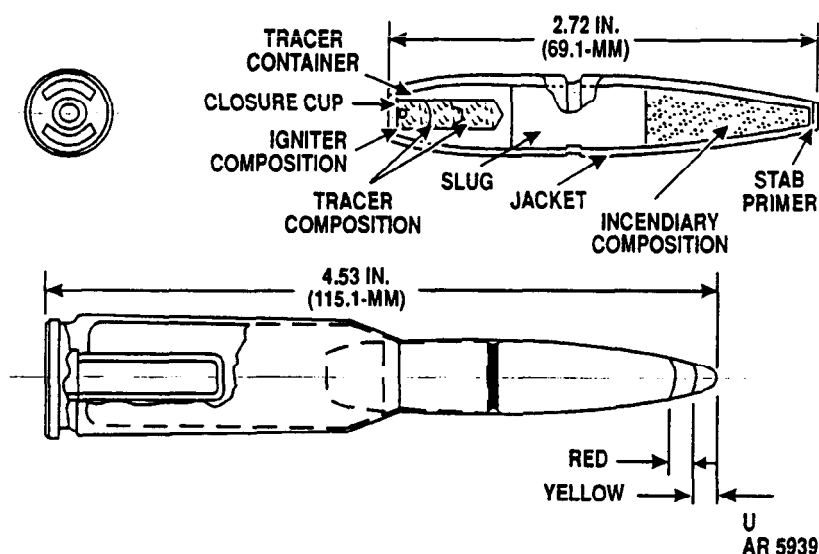
Shipping and Storage Data:

Quantity-distance class/SCG -----	1.4C
Storage code -----	Class V
DOT shipping class -----	C
DOT designation -----	SMALL ARMS AMMUNITION
Drawing number -----	7553097

References:

SB 700-20
TM 9-1005-213-10
TM 9-1005-231-10
TM 9-1300-206

CARTRIDGE, CALIBER .50, BALL, SPOTTER-TRACER, M48A1



Type Classification:

STD - AMCTC 7378.

Use:

Rifle, Spotting, Caliber .50, M8C.

Description:

BALL Cartridge. The cartridge has specific features which aid in identification. The cartridge case has a distinctive body design which prevents chambering in other weapons. The total length is only 4.5 inches in comparison with 5.5 inches for a standard round. The bullet has a yellow tip with a red ring to the rear of the yellow tip.

Function:

In flight, the bullet exhibits a visible trace from a point not greater than 100 yards from the muzzle of the weapon to a point not less than 1,500 yards from the muzzle. The bullet will detonate and produce a flash and a puff of smoke upon impact against a steel plate placed at 175 yards from the muzzle of the weapon at all angles from 90° to 11° with respect to the horizontal.

Difference Between Models:

The M48A1 differs from the M48A2 in that the M48A1 has a primer in the point of the bullet.

Tabulated Data:

DODAC-----	1305-A574
UNO serial number -----	0339
UNO proper shipping name-----	Cartridges for weapons, inert projectile
Weight -----	1744 gr
Length-----	4.53 in. (115.1 mm)
Tracer-----	R321
Primer-----	Percussion
Fuze-----	NA
Explosive:	
Type -----	NA
Weight-----	NA
Incendiary:	
Type -----	IM 144
Weight-----	32 gr
Propellant:	
Type -----	IMR 7383
Weight-----	110 gr

Performance:

Chamber pressure -----	38,000 psi
Velocity-----	1745 fps, 78 ft from muzzle

Shipping and Storage Data:

Quantity-distance class/	
SCG -----	1.4C
Storage code -----	Class V

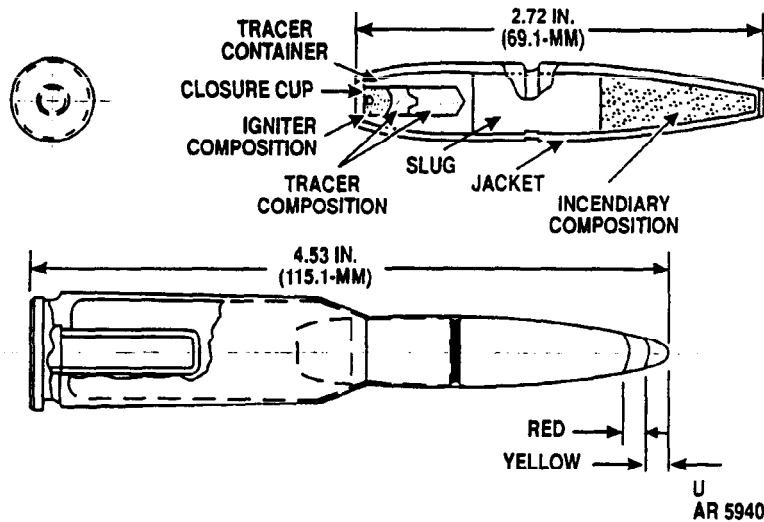
TM 43-0001-27

DOT shipping class ----- C
DOT designation -----: SMALL ARMS
Drawing number -----: AMMUNITION
8594735

References:

SB 700-20
TM 9-1300-206

CARTRIDGE, CALIBER .50, BALL, SPOTTER-TRACER, M48A2



Type Classification:

STD - AMCTC 7378.

Use:

Rifle, Spotting, Caliber .50, M8C.

Description:

BALL Cartridge. The cartridge has specific features which aid in identification. The cartridge case has a distinctive body design which prevents chambering in other weapons. The total length is only 4.5 inches in comparison with 5.5 inches for a standard round. The bullet has a yellow tip with a red ring to the rear of the yellow tip.

Function:

In flight, the bullet exhibits a visible trace from a point not greater than 100 yards from the muzzle of the weapon to a point not less than 1,500 yards from the muzzle. The bullet will detonate and produce a flash and a puff of smoke upon impact against a steel plate placed at 175 yards from the muzzle of the weapon at all angles from 90° to 11° with respect to the horizontal.

Difference Between Models:

The M48A2 differs from the M48A1 in that the M48A2 does not have a primer in the point of the bullet.

Tabulated Data:

DODAC-----	1305-A574
UNO serial number -----	0339
UNO proper shipping name -----	Cartridges for weapons, inert projectile
Weight -----	1744 gr
Length -----	4.53 in. (115.1 mm)
Tracer-----	R321
Primer -----	Percussion
Fuze -----	NA
Explosive:	
Type -----	NA
Weight-----	NA
Incendiary:	
Type -----	IM 144
Weight-----	32 gr
Propellant:	
Type -----	IMR 7383
Weight-----	110 gr
Projectile:	
Weight-----	833 gr

Performance:

Chamber pressure -----	38,000 psi
Velocity-----	1745 fps, 78 ft from muzzle

Shipping and Storage Data:

Quantity-distance class/SCG -----	1.4C
Storage code -----	Class V

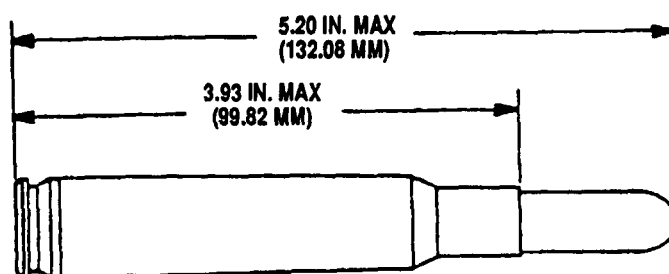
TM 43-0001-27

DOT shipping class ----- C
DOT designation ----- SMALL ARMS
 AMMUNITION
Drawing number ----- 10542445

References:

SB 700-20
TM 9-1300-206

CARTRIDGE, CALIBER .50, BALL, PLASTIC PRACTICE, M858



U
AR 5943

Type Classification:

STD - dated 24 May 1983.

Use:

Machine Gun, Caliber .50, with the M3 Recoil Amplifier. The cartridge is intended for scaled range training purposes.

Description:

BALL Cartridge. The cartridge is identified by the blue bullet and case which are molded into one piece with high density polyethylene plastic.

Tabulated Data:

DODAC----- 1305-A603
 UNO serial number ----- 0012
 UNO proper shipping
 name----- Cartridges for
 weapons, inert pro-
 jectile
 Weight ----- 460 gr
 Length----- 5.2 in. (132.08 mm)
 Tracer----- NA
 Primer----- Percussion
 Fuze----- NA

Explosive:

Type ----- NA
 Weight ----- NA

Incendiary:

Type ----- NA
 Weight ----- NA

Propellant:

Type ----- 10B101
 Weight ----- 49 gr

Performance:

Chamber pressure ----- 26,100 psi
 Velocity ----- 2790 fps, 78 ft from
 muzzle
 Maximum range ----- 700 m

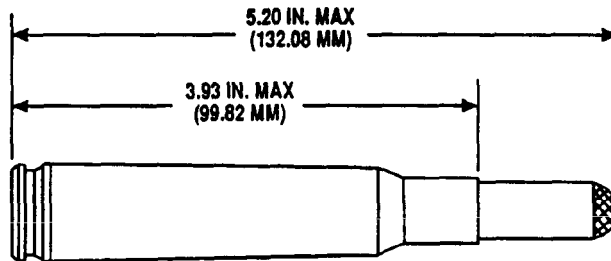
Shipping and Storage Data:

Quantity-distance class/
 SCG ----- 1.4S
 Storage code ----- Class S
 DOT shipping class ----- C
 DOT designation ----- SMALL ARMS
 AMMUNITION
 Drawing number ----- 9340557

References:

SB 700-20
 TM 9-1005-213-10
 TM 9-1005-231-10
 TM 9-1300-206

CARTRIDGE, CALIBER .50, TRACER, PLASTIC PRACTICE, M860



U
AR 5944

Type Classification:

STD - dated 24 May 1983.

Use:

Machine Gun, Caliber .50, M2 with the M3 Recoil Amplifier. The cartridge tracer is intended for scaled range training to permit visible observation of the bullet's in-flight path or trajectory to the point of impact. The cartridge is intended for use with the M858 Plastic Practice Ball Cartridge.

Description:

TRACER Cartridge. The cartridge is identified by a red bullet tip and the blue bullet and case which are molded into one piece with high density polyethylene plastic.

Tabulated Data:

DODAC----- 1305-A595
 UNO serial number ----- 0012
 UNO proper shipping
 name----- Cartridges for
 weapons, inert pro-
 jectile
 Weight ----- 460 gr
 Length ----- 5.2 in. (132.08 mm)
 Tracer----- DAG9591254/4
 Primer ----- Percussion
 Fuze ----- NA

Explosive:

Type ----- NA
 Weight ----- NA

Incendiary:

Type ----- NA
 Weight ----- NA

Propellant:

Type ----- 10B101
 Weight ----- 49 gr

Performance:

Chamber pressure ----- 26,100 psi
 Velocity ----- 2790 fps, 78 ft from
 muzzle
 Maximum range ----- 700 m
 Trace ----- 20-150 m

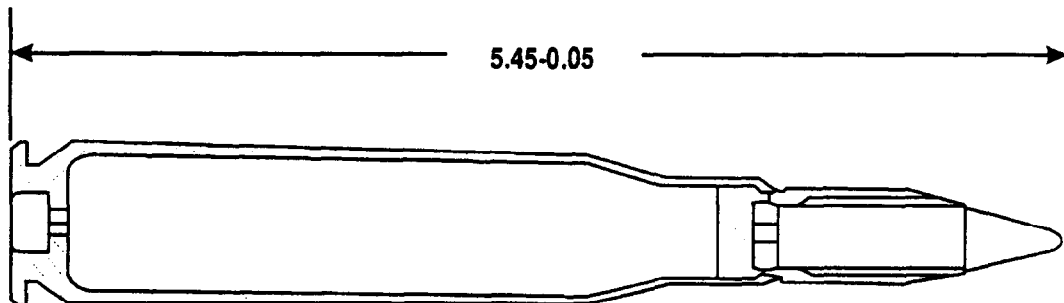
Shipping and Storage Data:

Quantity-distance class/
 SCG ----- 1.4S
 Storage code ----- Class S
 DOT shipping class ----- C
 DOT designation ----- SMALL ARMS
 AMMUNITION
 Drawing number ----- 9340558

References:

SB 700-20
 TM 9-1005-213-10
 TM 9-1005-231-10
 TM 9-1300-206

CARTRIDGE, CALIBER .50, SABOTED LIGHT ARMOR PENETRATOR (SLAP), M903



U
AR 6024

Type Classification:

STD - 31 March 1993.

Use:

Machine Gun, Caliber .50, M2HB. The cartridge is to be used by soldiers equipped with M2 machine guns.

Description:

COMBAT Cartridge. The cartridge is identified by an amber sabot (Utem 1000).

Tabulated Data:

DODAC.....	1305-A518
UNO serial number	0012
UNO proper shipping name.....	Cartridges for weapons, inert projectile
Weight	1466 gr
Length.....	5.45 in. (138.4 m)
Tracer.....	NA
Primer.....	Percussion

Fuze.....	NA
Explosive:	
Type.....	NA
Weight.....	NA
Incendiary:	
Type.....	NA
Weight.....	NA
Propellant:	
Type.....	WC 856
Weight.....	275 gr
Projectile:	
Weight.....	355-360 gr

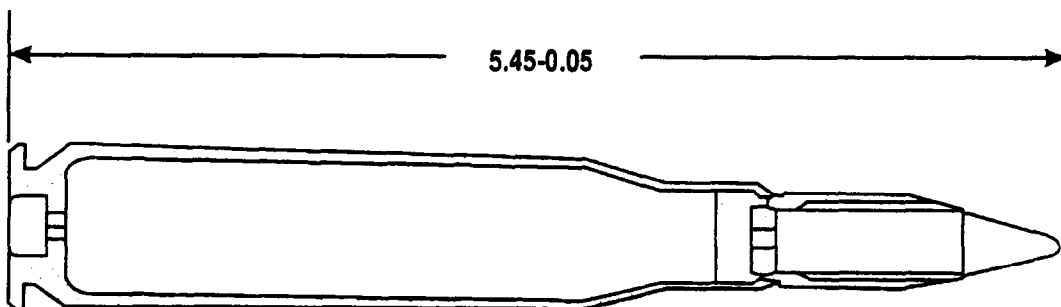
Performance:

Chamber pressure	55,000 psi
Velocity	4000 fps, 78 ft from muzzle

Shipping and Storage Data:

Quantity-distance class/SCG.....	1.4
Storage code	C
DOT shipping class	C
DOT designation	CARTRIDGES SMALL ARMS UN0339

**CARTRIDGE, CALIBER .50, SABOTED LIGHT ARMOR
PENETRATOR-TRACER (SLAP-T), M962**



U
AR 6024

Type Classification:

STD - 31 March 1993.

Use:

Machine Gun, Caliber .50, M2HB. The cartridge is to be used by soldiers equipped with M2 machine guns.

Description:

COMBAT Cartridge. The cartridge is identified by a red sabot (Utem 1000).

Tabulated Data:

DODAC-----	1305-A518
UNO serial number -----	0012
UNO proper shipping name-----	Cartridges for weapons, inert projectile
Weight -----	1466 gr
Length-----	5.45 in. (138.4 mm)
Tracer-----	R543
Primer-----	Percussion
Fuze-----	NA

Explosive:

Type ----- NA
Weight----- NA

Incendiary:

Type ----- NA
Weight----- NA

Propellant:

Type ----- WC 856
Weight----- 282 gr

Projectile:

Weight----- 350-360 gr

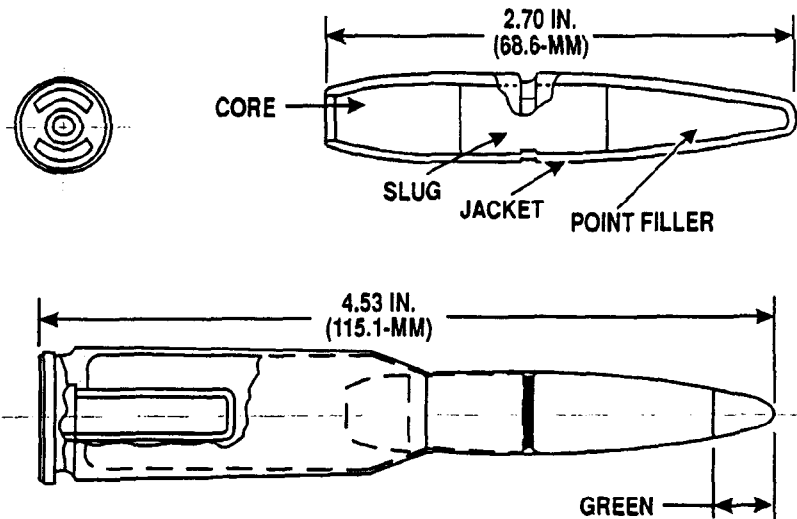
Performance:

Chamber pressure ----- 55,000 psi
Velocity----- 4000 fps, 78 ft from muzzle

Shipping and Storage Data:

Quantity-distance class/SCG-----	1.4
Storage code -----	C
DOT shipping class -----	C
DOT designation -----	CARTRIDGES SMALL ARMS UN0339

CARTRIDGE, CALIBER .50, BALL, PRACTICE, T249E2



U
AR 5941

Type Classification:

Not applicable.

Use:

Rifle, Spotting, Caliber .50, M8C. The cartridge is used as a less expensive substitute for the M48 series spotter-tracer cartridges. The item uses a small amount of Sodium Carbonate Monohydrate as its spotting charge. It is similar to using a flour bag as a bomb.

Tracer-----	NA
Primer-----	Percussion
Fuze-----	NA
Explosive:	
Type-----	NA
Weight-----	NA
Incendiary:	
Type-----	NA
Weight-----	NA
Propellant:	
Type-----	IMR 7383
Weight-----	110 gr
Projectile:	
Weight-----	817 gr

Description:

BALL Cartridge. The cartridge is a duplicate of the M48 series cartridges, a less expensive model used for practice. It is identified by a green bullet tip. It has no tracer or incendiary filler.

Performance:

Chamber pressure-----	38,000 psi
Velocity-----	1745 fps, 78 ft from muzzle

Tabulated Data:

DODAC-----	1305-A579
UNO serial number-----	0339
UNO proper shipping name-----	Cartridges for weapons, inert projectile
Weight-----	1738 gr
Length-----	4.53 in. (115.1 mm)

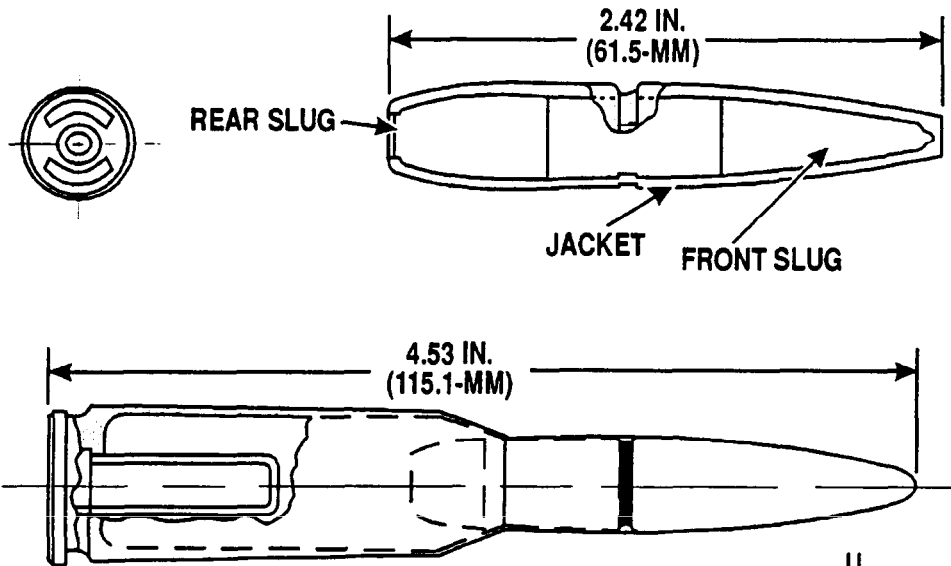
Shipping and Storage Data:

Quantity-distance class/SCG-----	1.4C
Storage code-----	Class V
DOT shipping class-----	C
DOT designation-----	SMALL ARMS AMMUNITION
Drawing number-----	10534667

References:

SB 700-20
TM 9-1300-206

CARTRIDGE, CALIBER .50, BALL, HIGH PRESSURE TEST, T251



U
AR 5942

Type Classification:

Not applicable.

Use:

Rifle, Spotting, Caliber .50, M8C. The cartridge is used in proof testing the caliber .50 M8C Spotting Rifle during manufacture, test, or repair.

Description:

BALL Cartridge. The cartridge is standard small caliber and is identified by a stannic-stained (silvered) cartridge case.

Tabulated Data:

DODAC----- 1305-A578
 UNO serial number ----- 0339
 UNO proper shipping
 name----- Cartridges for
 weapons, inert pro-
 jectile
 Weight ----- 1902 gr
 Length----- 4.53 in. (115.1 mm)
 Tracer----- NA
 Primer----- Percussion

Fuze----- NA
 Explosive:
 Type ----- NA
 Weight----- NA
 Incendiary:
 Type ----- NA
 Weight----- NA
 Propellant:
 Type ----- IMR 4831
 Weight----- 142 gr

Performance:

Chamber pressure ----- 55,000 psi
 Velocity----- NA

Shipping and Storage Data:

Quantity-distance class/
 SCG ----- 1.4C
 Storage code ----- Class V
 DOT shipping class ----- C
 DOT designation ----- SMALL ARMS
 AMMUNITION
 Drawing number ----- 10534770

References:

SB 700-20
 TM 9-1300-206