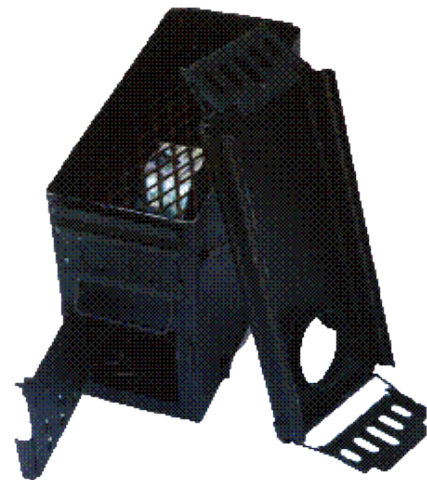
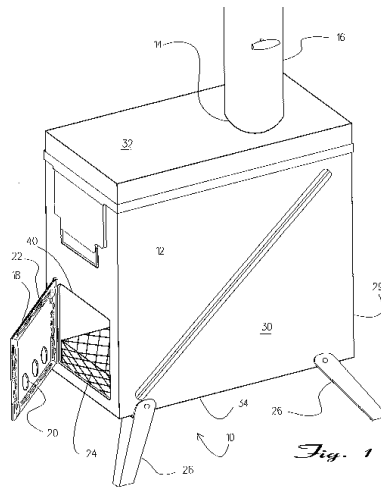


A Long-Term Survival Guide – How To Make Ammo Can Wood Stoves:



This is my favorite design for an ammo can stove, but there are many other ways to make them.

Designs for ammo can wood stoves have been kicking around pretty much since the cans themselves were invented. Soldiers used the empty cans as improvised tables and chairs, and it wasn't long before someone realized that you could make a wood stove out of one. They combined an ammo can with a stove pipe (made from empty shell casings) and used it to cook their food, and to heat their tent. There are several companies that make modern stoves, often called tent stoves, or shepherder stoves, but you can still make these surplus ammo can versions. Here are a few ideas to consider, when building yours:



Shown here is an early improvised stove made from an ammo can and shell casings, an old patent drawing for an ammo can stove, and an example of a can stove that was based on the patent design.



Ammo cans come in many shapes and sizes, so ammo can stoves may be built in several different ways.



Mortar tubes make good chimneys, but so do 120mm ammo cans. Who says a chimney has to be round?



The chimney box can be bolted, screwed, wired, or welded to the stove box. The stove can sit on the bare ground, or on rocks or cinder blocks, or it can have legs made from bolts or angle iron, or it can be elevated on one or two extra ammo cans (which should be open, or at least punctured, to keep them from bursting from the intense heat).



Light stoves are unstable, so it is best to brace them with rocks, and secure the chimney with guy wires.



If you make a stove similar to this example, using a long 120 MM ammo can, you could just leave the stove door off altogether. If you keep the coals pushed to the back of this type of stove, then you can feed long pieces of wood into the opening, pushing them further on in, as the ends burn away. This technique can save you a lot of chopping. Stoves that have boxes for legs can have the boxes filled with sand (or rocks) for weight, but they should also be braced and guyed, for extra safety. (Having a searing-hot stove fall on you can take all the fun out of surviving.)



Stove doors can be improvised in many different ways. This electrical box cover plate makes a good door. Stove doors can be mounted on the stove with hinges, or they can just be wired on. Doors made from flat plates can be attached with a single bolt, so that they can pivot open. Use a simple wire handle on your door, to avoid burns.



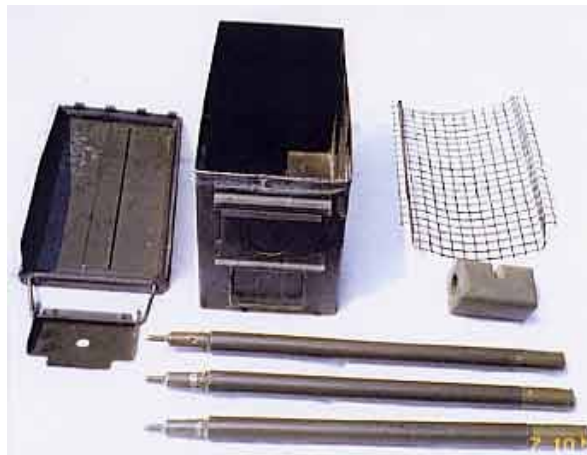
Cover plates from pumps, plumbing fixtures, or junction boxes all make good improvised stove doors.



If you want draft doors on your ammo can stoves, they can be made from metal electrical outlet covers.



Ammo Can Fire Box: A large ammo box can be made into a good fire box, by cutting one side open with a hacksaw. Four large bolts were used to make legs for this fire box, but it could have been set on bricks, or cinder blocks. The metal rods are intended to support cooking pots, but any type of expanded metal screen would work, and would also allow grilling.



Ammo Can Barbecue: Surplus ammo cans are easy to convert into improvised barbecue grills; all you need is the can itself, a surplus tent stake (or any similar pole), a block of wood, and some hardware cloth or expanded metal for the grill.



The pole is optional, as you can set the barbecue on the ground, or on some rocks, but it is easy enough to make. All you need is the lid from the ammo can, a roughly 3 x 2 x 1 ½ inch block of wood, and a tent stake, or similar pole. Make a 1 inch deep cut in the center of the block of wood, drill a half inch deep hole on both ends, about the same diameter as the wooden pole, and then jam the wooden block underneath the ammo can handle, to see how it fits. If it fits too loosely, cut out a piece of rubber from an old inner tube, and jam it between the block of wood and the ammo can handle. Stick the tent pole in the ground, attach the block of wood and lid to the tent pole, and place the ammo can on top of the lid. Place some wood or charcoal in the ammo can, add the metal grill, and the barbecue is ready to fire up.